



US00D425888S

# United States Patent [19] Fitzgerald

[11] Patent Number: Des. 425,888

[45] Date of Patent: \*\* May 30, 2000

[54] CORDLESS TELEPHONE HEADSET

[76] Inventor: Robert M. Fitzgerald, 2290 S. Parker Rd., Suite 150, Denver, Colo. 80231

[\*\*] Term: 14 Years

[21] Appl. No.: 29/104,967

[22] Filed: May 12, 1999

4,882,745	11/1989	Silver .	
5,003,589	3/1991	Chen .	
5,086,464	2/1992	Groppe .	
5,117,464	5/1992	Jones et al. .	
5,469,505	11/1995	Gathey et al. .	
5,528,689	6/1996	Chan .	
5,794,127	8/1998	Lansang .....	381/370 X

### Related U.S. Application Data

[63] Continuation-in-part of application No. 29/090,921, Jul. 20, 1998, which is a continuation-in-part of application No. 29/090,328, Jul. 6, 1998, Pat. No. Des. 414,488, which is a continuation-in-part of application No. 29/089,569, Jun. 18, 1998, Pat. No. Des. 411,538.

[51] LOC (7) Cl. .... 14-03

[52] U.S. Cl. .... D14/142; D14/206

[58] Field of Search ..... D14/137, 138, D14/140, 142, 147, 148, 240, 205, 206, 223, 192; 455/90, 347, 349, 550, 575; 379/430, 433, 419, 420, 428, 440; 381/183, 187; D21/517

### [56] References Cited

#### U.S. PATENT DOCUMENTS

D. 305,759	1/1990	Balbuena .	
D. 327,265	6/1992	Jasey .	
D. 337,116	7/1993	Hattori .	
D. 342,947	1/1994	Totsuka .	
D. 344,730	3/1994	Gathey et al. .	
D. 364,617	11/1995	Fitzgerald .	
D. 394,058	5/1998	Fitzgerald .	
D. 394,436	5/1998	Hall et al. .	
D. 406,140	2/1999	Hall et al. ....	D14/205
D. 411,538	6/1999	Fitzgerald .....	D14/142
D. 414,488	9/1999	Fitzgerald .....	D14/142
4,484,029	11/1984	Kenney .	

### OTHER PUBLICATIONS

Hello Direct, Winter 1991, p. 6, Cordless Headset.

Primary Examiner—Jeffrey Asch

Attorney, Agent, or Firm—Chrisman, Bynum & Johnson

### [57] CLAIM

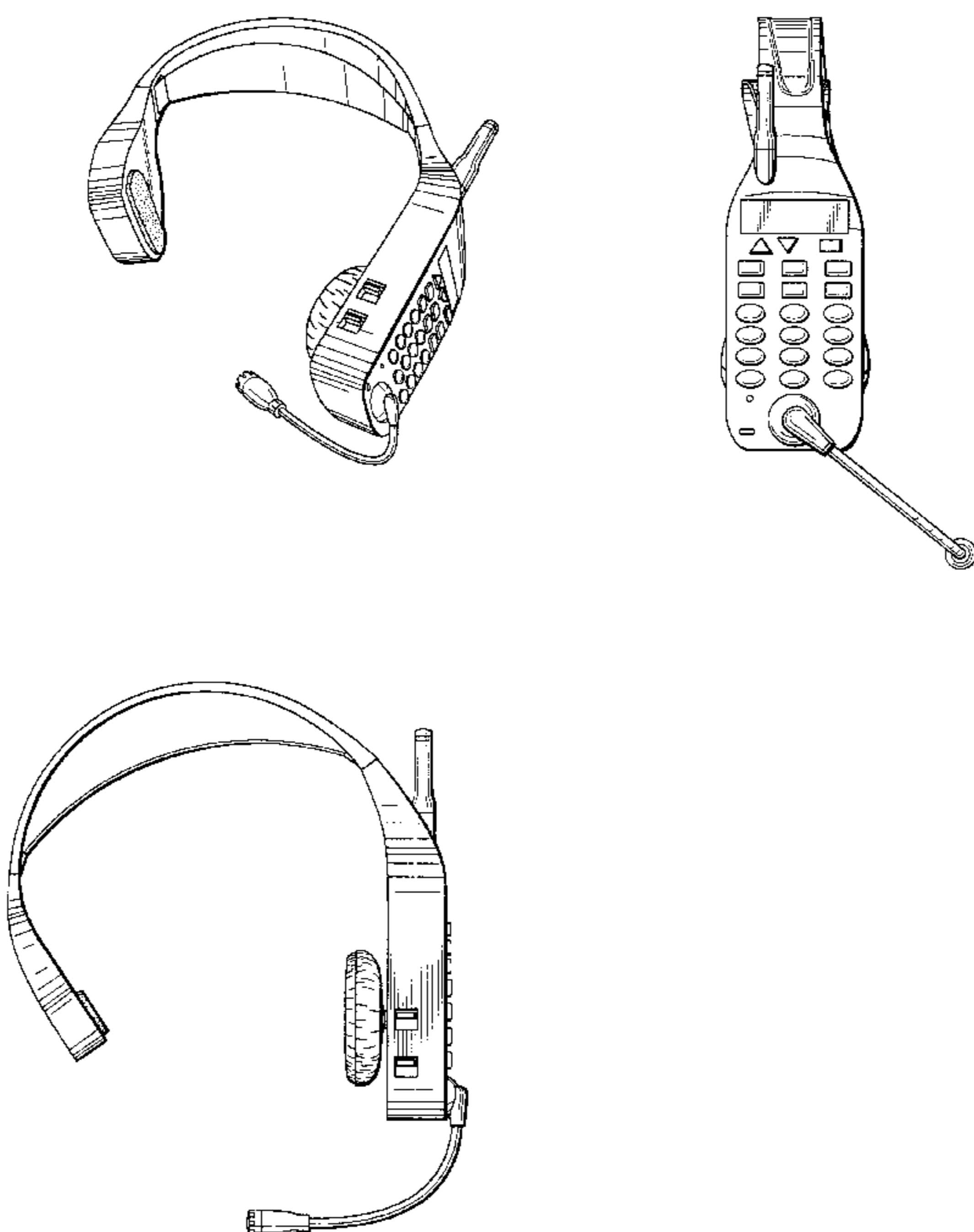
The ornamental design for a cordless telephone headset, as shown and described.

### DESCRIPTION

FIG. 1 is a right side rear perspective view of a cordless telephone headset showing my new design;  
 FIG. 2 is a rear elevation view;  
 FIG. 3 is a right side elevation view;  
 FIG. 4 is a left side elevation view;  
 FIG. 5 is a front elevation view;  
 FIG. 6 is a bottom plan view;  
 FIG. 7 is a top plan view; and,  
 FIG. 8 is a right side rear perspective view thereof showing, in phantom, a telephone base supporting said cordless telephone headset therein.

The broken line showing in FIG. 8 is for illustrative purposes only and forms no part of the claimed design except the microphone has been rotated to an alternate position. Portions of the broken line disclosure in FIG. 8 have been shown through the solid line disclosure for convenience of illustration. The headset of FIG. 8 being the same in appearance as that shown in FIG. 1.

1 Claim, 4 Drawing Sheets



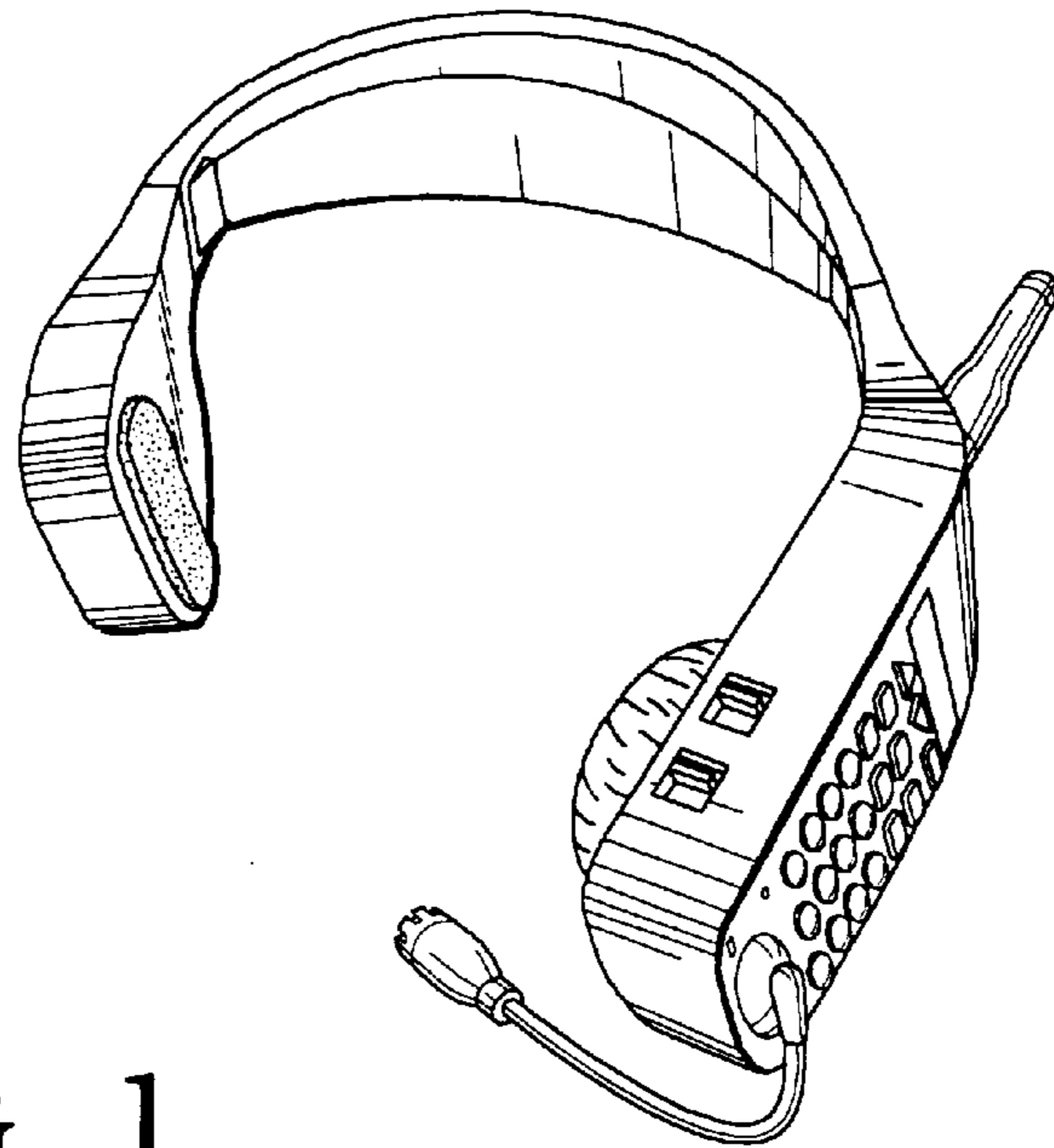


FIG. 1

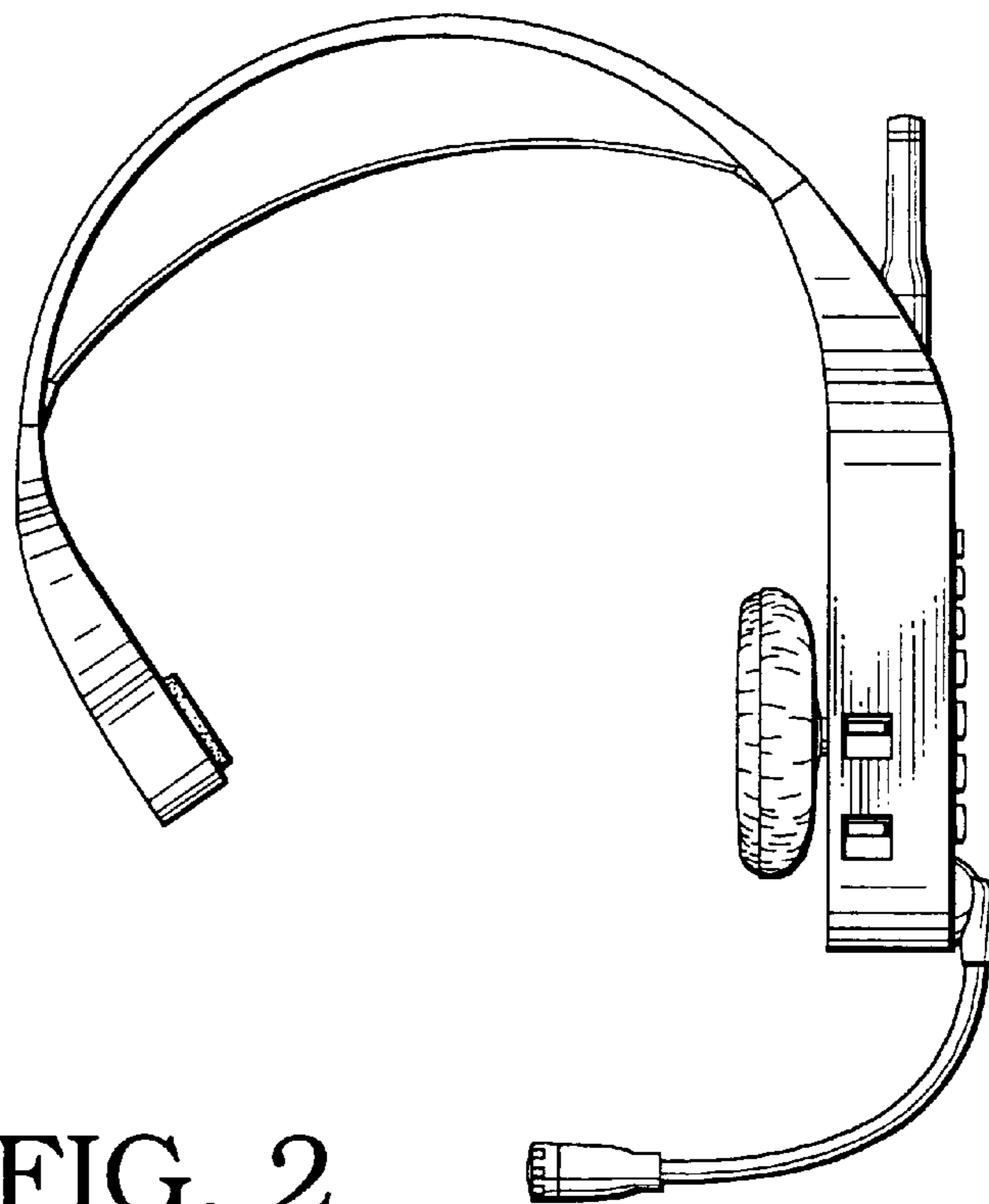


FIG. 2

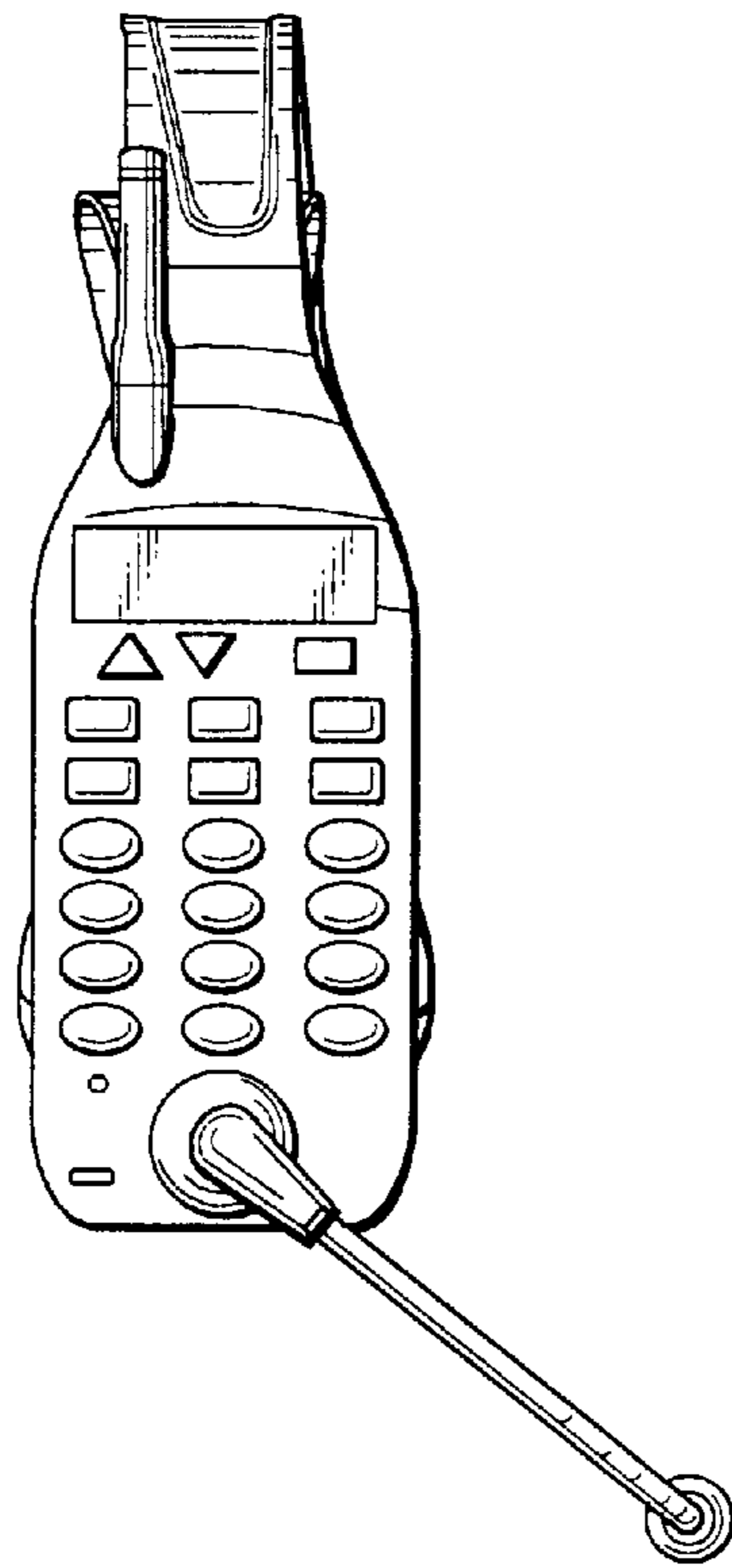
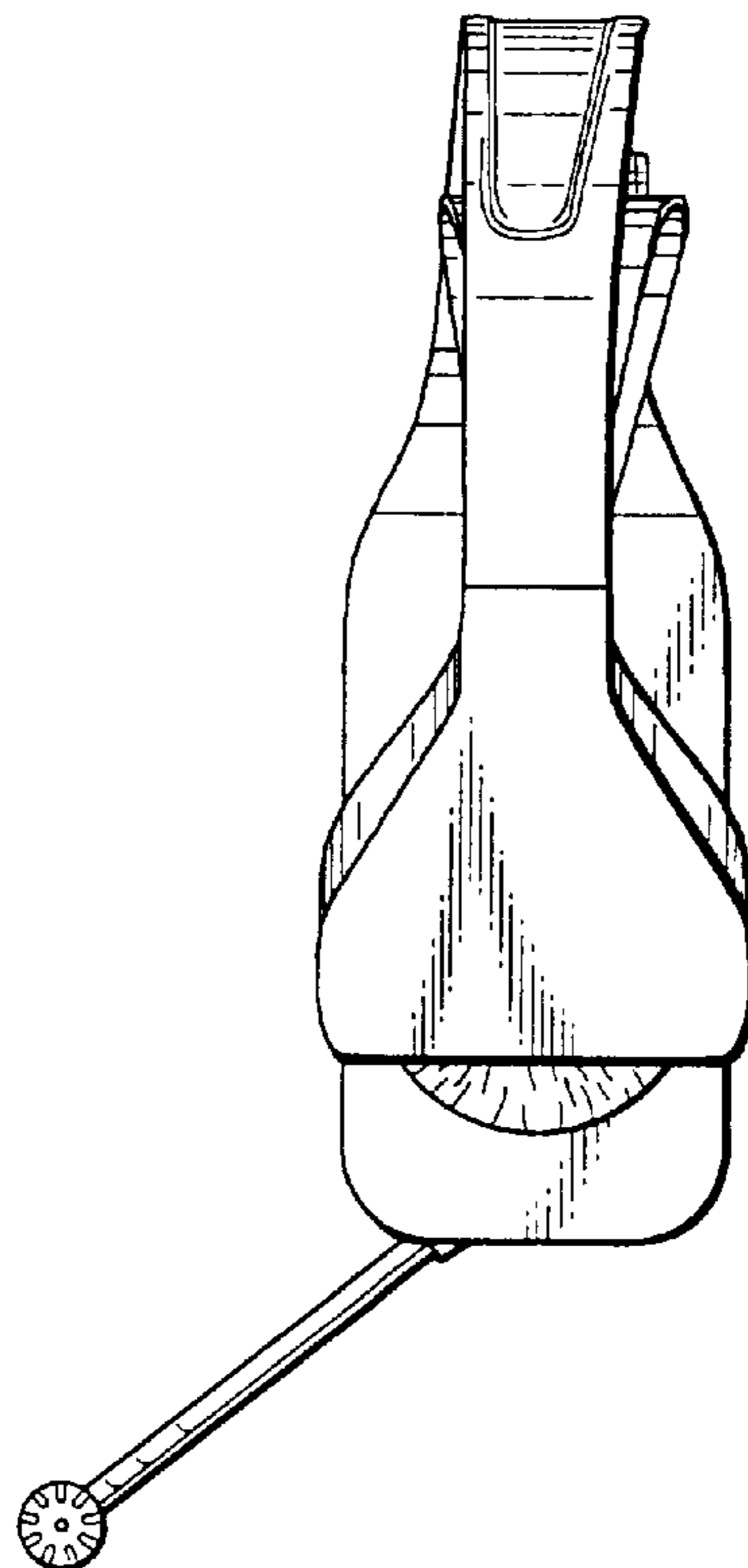


FIG. 3

FIG. 4



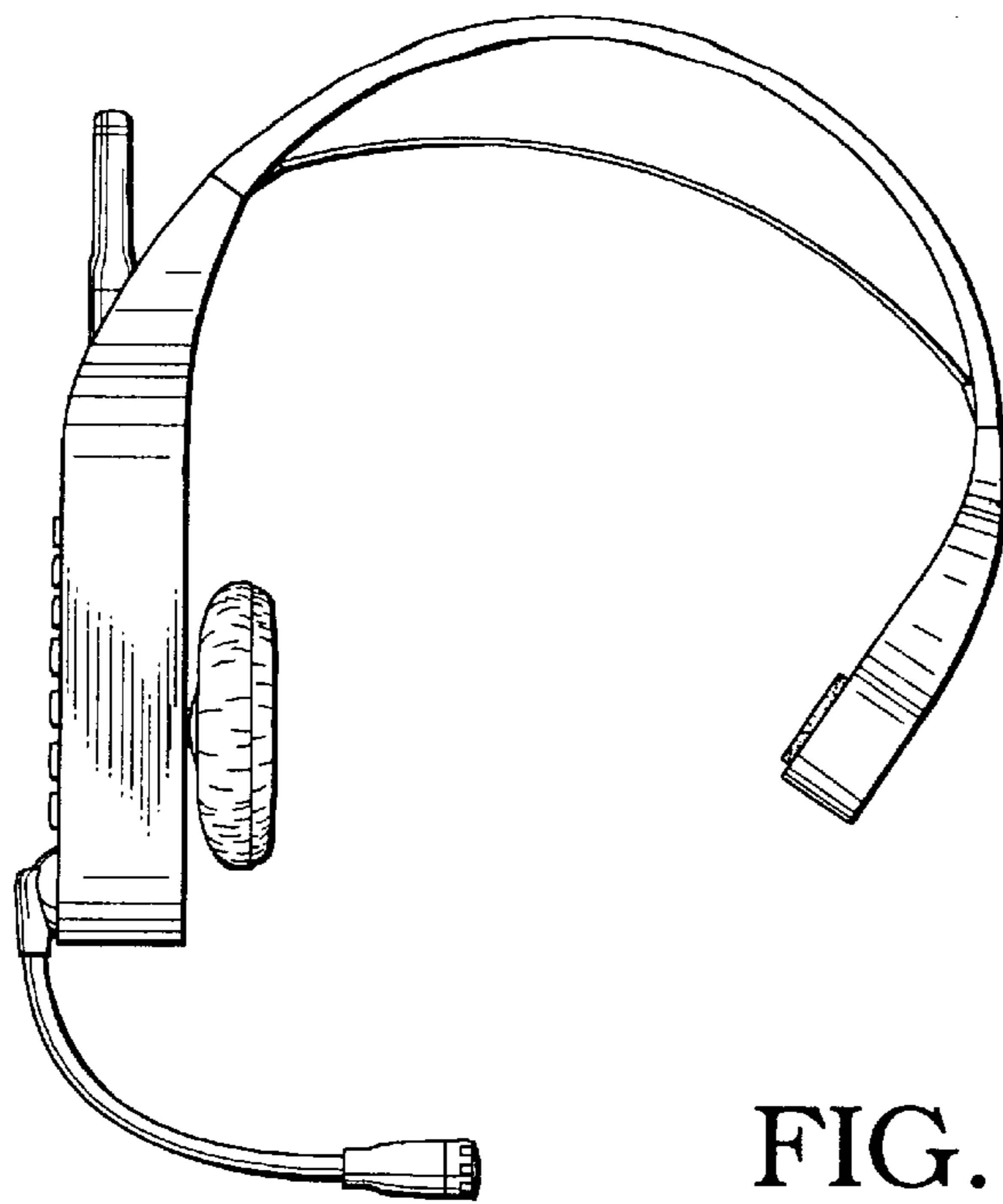


FIG. 5

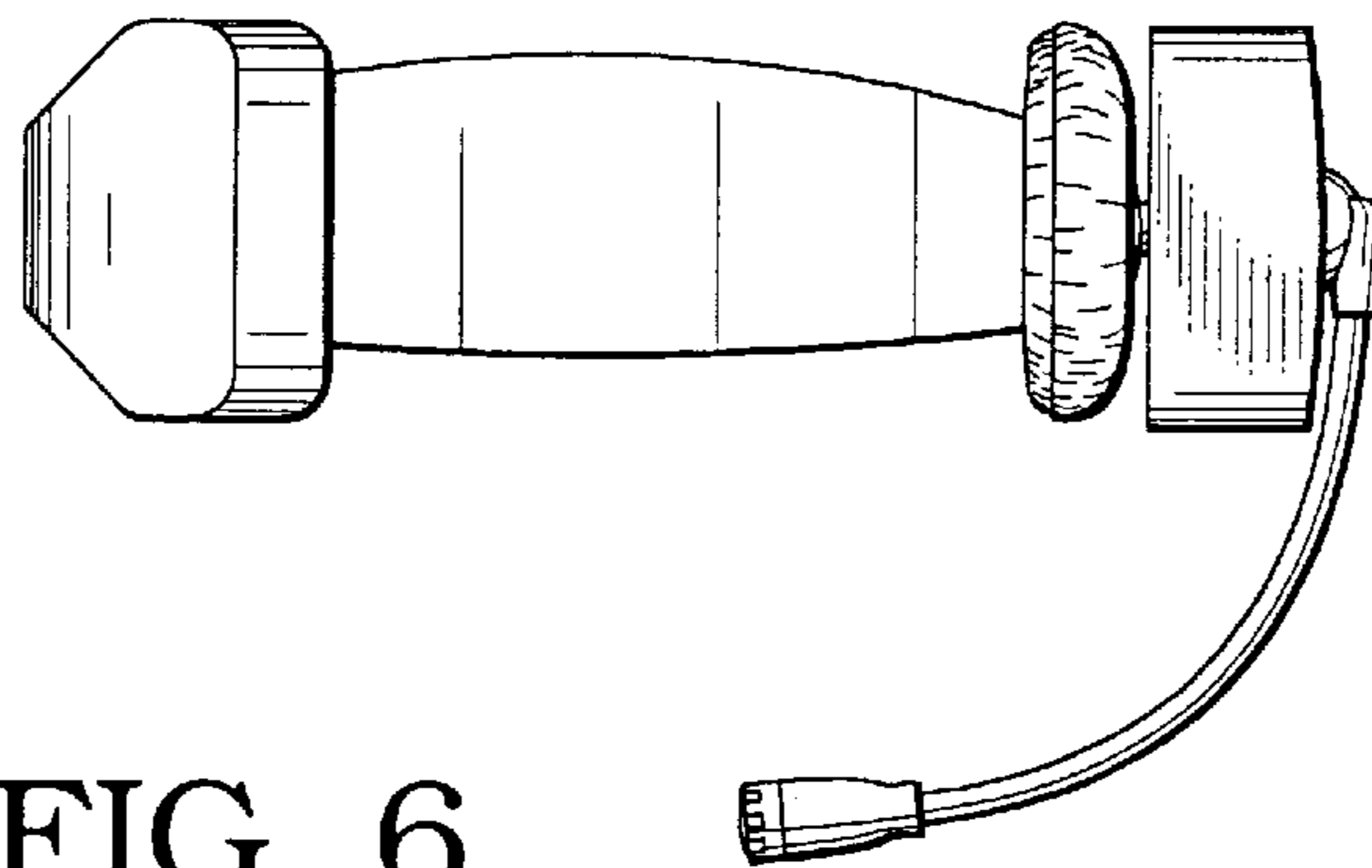


FIG. 6

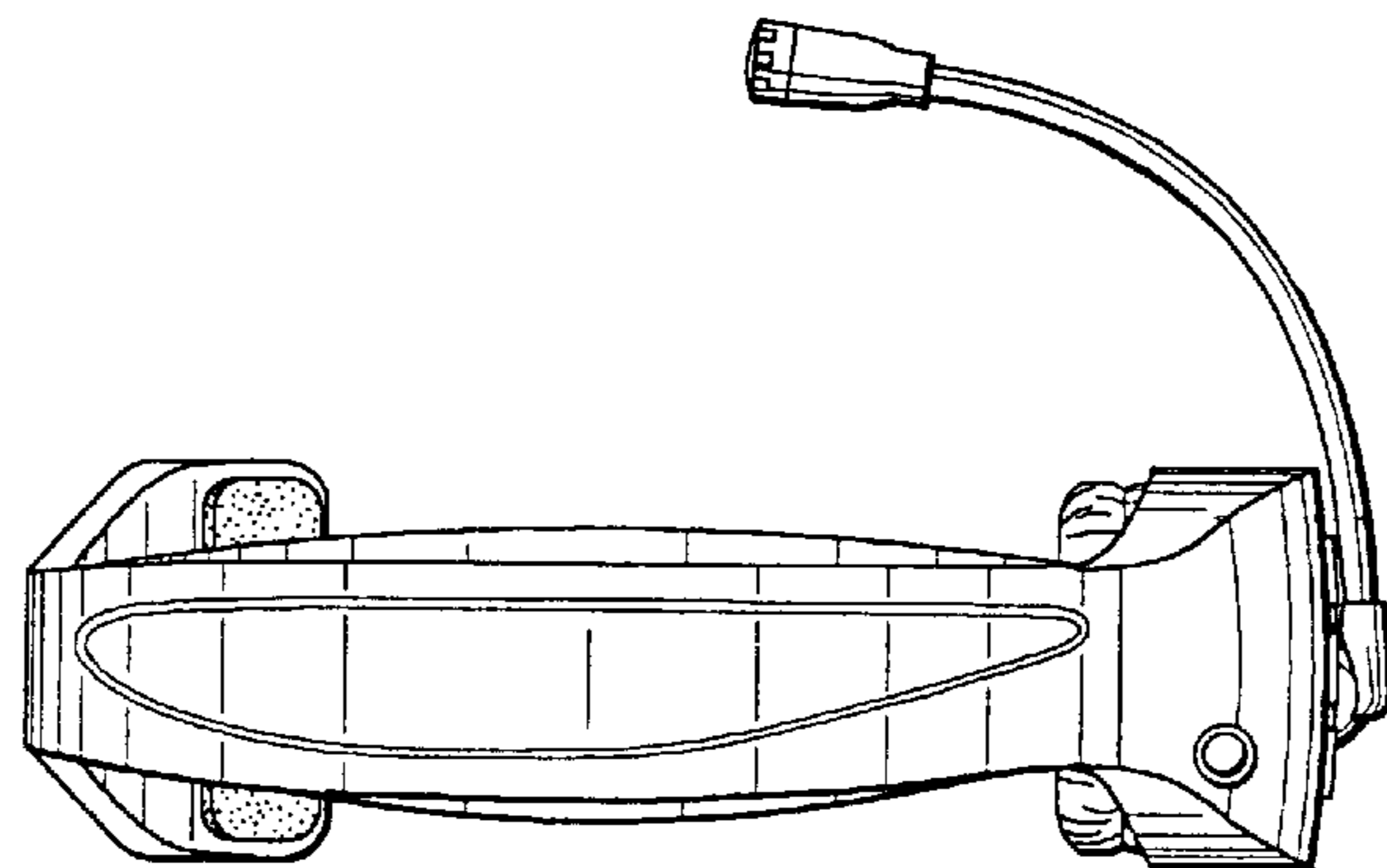


FIG. 7

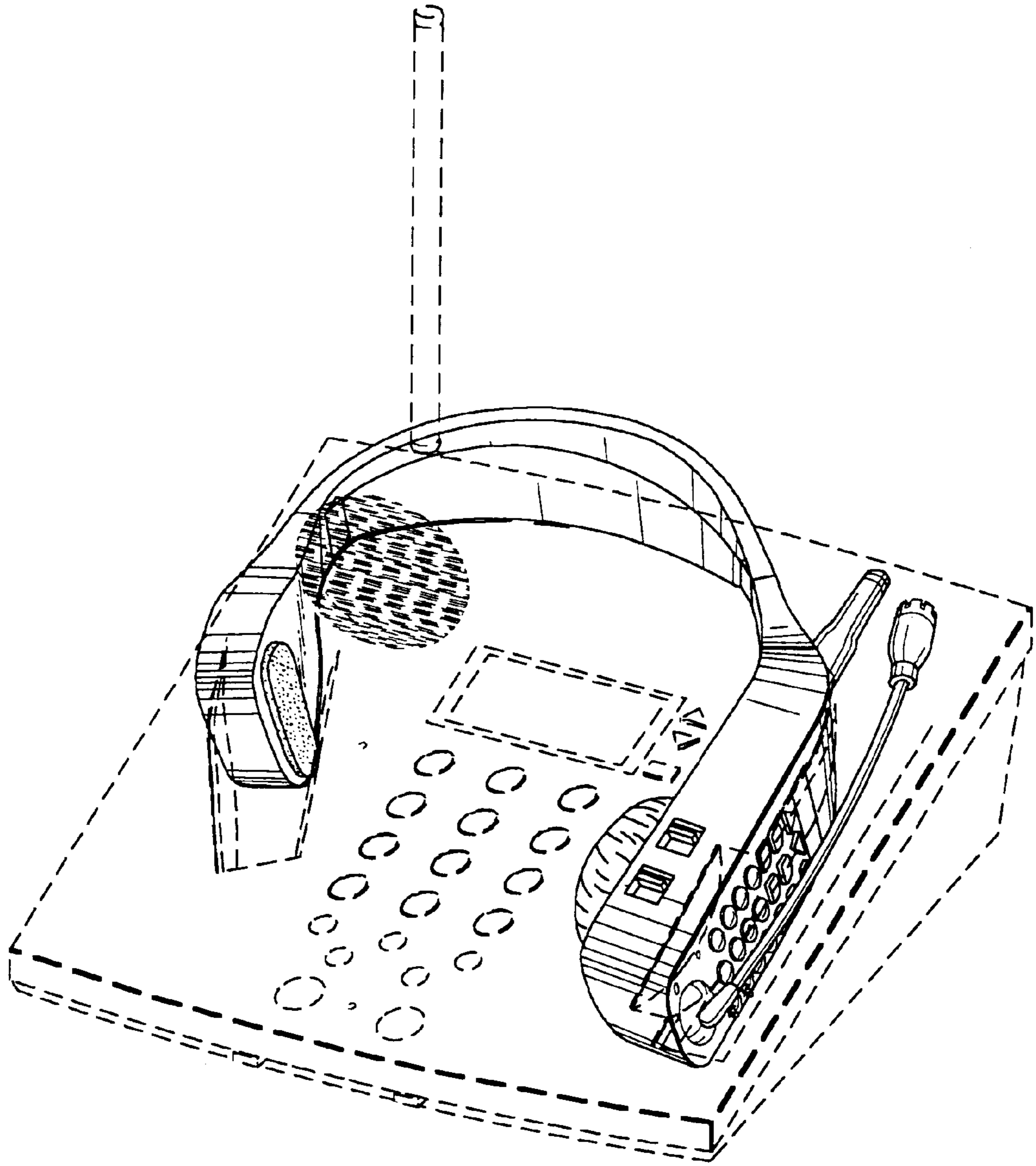


FIG. 8