



US00D425878S

**United States Patent** [19]  
**Otis et al.**

[11] **Patent Number: Des. 425,878**  
[45] **Date of Patent: \*\* May 30, 2000**

[54] **DATA-STORAGE LIBRARY FRONT DOOR**

[75] Inventors: **Jonathan E. Otis**, Seattle, Wash.;  
**Mark A. McLean**, Fitchburg, Wis.

[73] Assignee: **Advanced Digital Information Corporation**, Redmond, Wash.

[\*\*] Term: **14 Years**

[21] Appl. No.: **29/110,965**

[22] Filed: **Sep. 17, 1999**

[51] **LOC (7) Cl.** ..... **14-02**

[52] **U.S. Cl.** ..... **D14/114**

[58] **Field of Search** ..... D14/100, 105,  
D14/107, 109, 114; D13/162, 184, 199;  
312/208.1; 360/680-5, 724-8, 99.01-99.12

[56] **References Cited**

**U.S. PATENT DOCUMENTS**

D. 262,968	2/1982	Hutcheson	.....	D14/107
D. 286,049	10/1986	Nishida	.....	D14/107
D. 296,898	7/1988	Hara	.....	D14/109
D. 313,011	12/1990	Searle et al.	.....	D14/100
D. 324,209	2/1992	Tanabe	.....	D14/107
D. 331,048	11/1992	Ito et al.	.....	D14/115
D. 333,817	3/1993	Marotti	.....	D14/109
D. 334,919	4/1993	Hammar et al.	.....	D14/109
D. 362,248	9/1995	Marotti et al.	.....	D14/115
D. 377,787	2/1997	Fleckenstein	.....	D14/107
D. 404,023	1/1999	Murphy et al.	.....	D14/100
D. 404,379	1/1999	Murphy et al.	.....	D14/100
D. 409,166	5/1999	Otis et al.	.....	D14/107
D. 409,988	5/1999	Otis et al.	.....	D14/107
D. 410,231	5/1999	Alo	.....	D14/102
D. 417,200	11/1999	Sasago	.....	D14/100
3,809,263	5/1974	Dodd et al.	.....	214/16.4 R
3,831,197	8/1974	Beach et al.	.....	360/71
4,519,522	5/1985	McElwee	.....	221/13
4,654,727	3/1987	Blum et al.	.....	360/71
4,779,151	10/1988	Lind et al.	.....	360/92
4,802,035	1/1989	Ohtsuka	.....	360/92
4,816,943	3/1989	Tanaka et al.	.....	360/92
4,817,070	3/1989	Hug et al.	.....	369/36
4,864,511	9/1989	Moy et al.	.....	364/478
4,945,429	7/1990	Munro et al.	.....	360/92

4,984,106	1/1991	Herger et al.	.....	360/92
5,016,127	5/1991	Inoue et al.	.....	360/94
5,089,920	2/1992	Bryer et al.	.....	360/92
5,157,564	10/1992	Theobald et al.	.....	360/92
5,182,687	1/1993	Campbell et al.	.....	360/92
5,204,497	4/1993	Herrick	.	
5,235,474	8/1993	Searle	.....	360/71
5,258,882	11/1993	Apple et al.	.....	360/92
5,291,110	3/1994	Andrews, Jr. et al.	.....	318/560
5,481,514	1/1996	Yamasaki et al.	.....	369/36
5,781,367	7/1998	Searle et al.	.....	360/92

**FOREIGN PATENT DOCUMENTS**

0 186 945	7/1986	European Pat. Off.	.	
0 392 620	10/1990	European Pat. Off.	.....	360/92
3612531	11/1986	Germany	.....	360/92
61-92467	5/1986	Japan	.....	360/92
62-239370	10/1987	Japan	.....	360/92
62-239372	10/1987	Japan	.....	360/92
62-239460	10/1987	Japan	.....	360/92
63-244440	10/1988	Japan	.	
2-42672	2/1990	Japan	.....	360/92
3-44858	2/1991	Japan	.....	360/92
3-91153	4/1991	Japan	.....	360/92
4-10264	1/1992	Japan	.....	360/92
4-163761	6/1992	Japan	.....	360/92
5-144144	6/1993	Japan	.....	360/92

*Primary Examiner*—M. H. Tung  
*Attorney, Agent, or Firm*—Seed IP Law Group

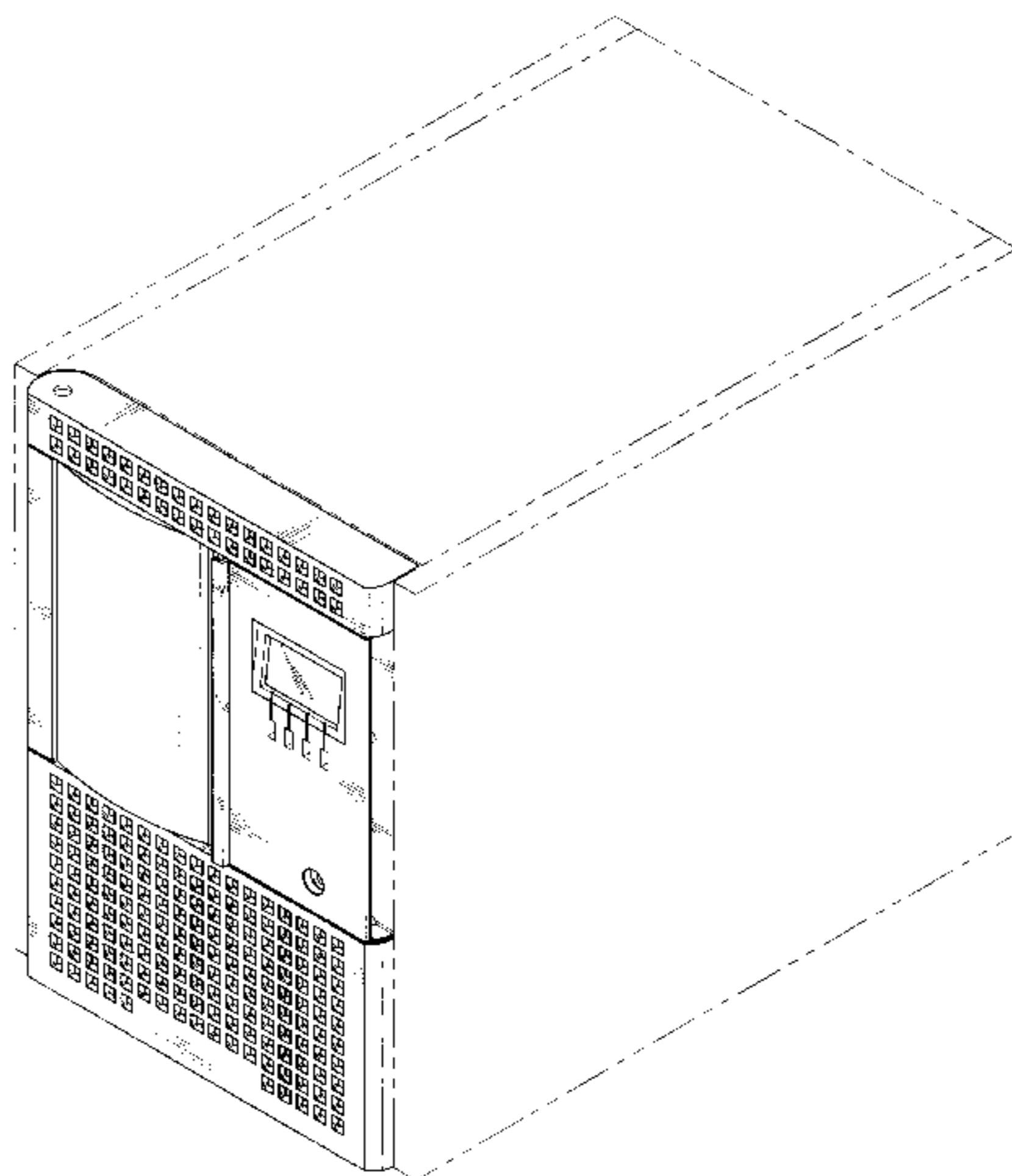
[57] **CLAIM**

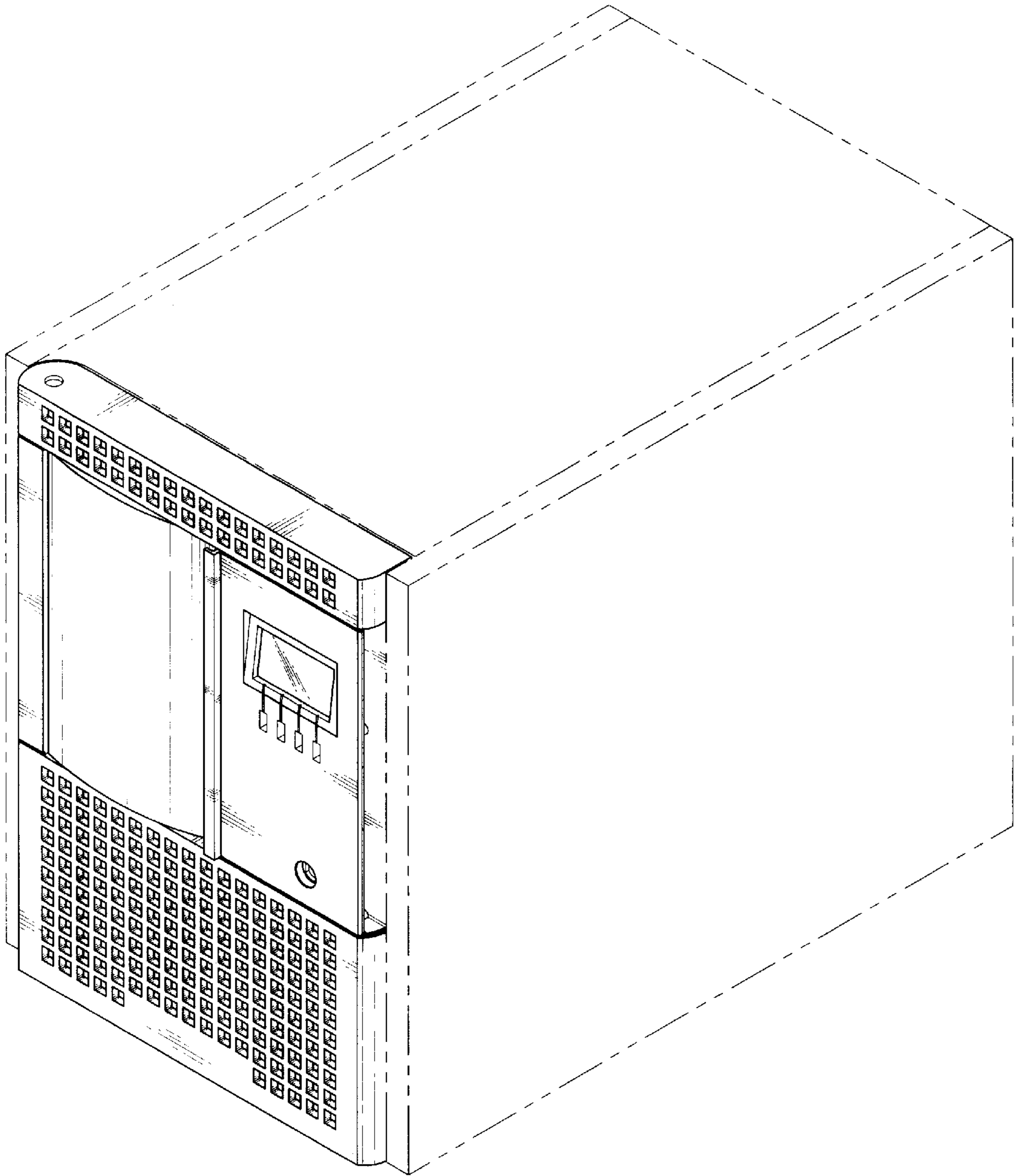
The ornamental design for a data-storage library front door, as shown and described.

**DESCRIPTION**

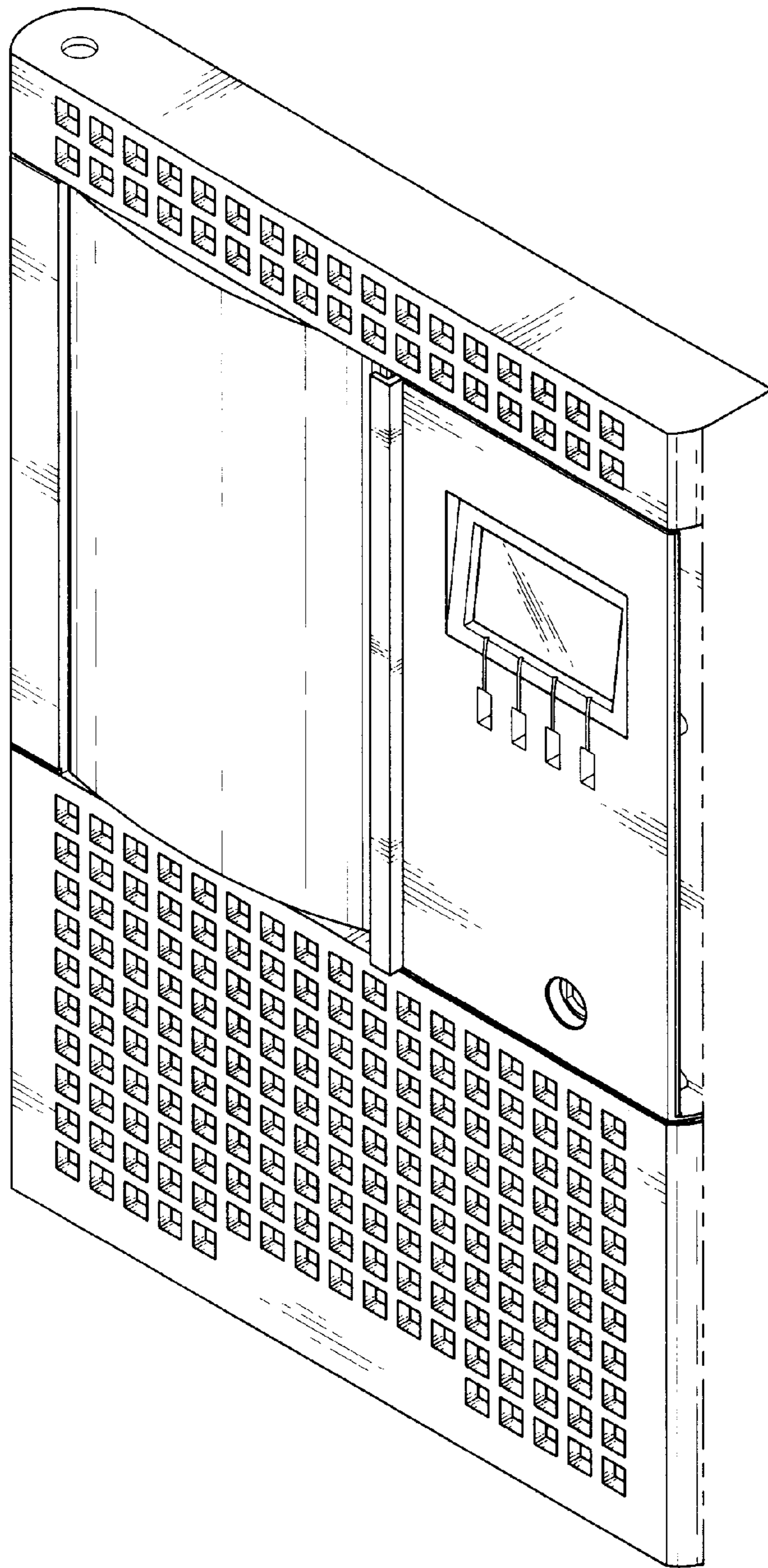
FIG. 1 is a top right isometric view of a data-storage library front door showing our new design;  
FIG. 2 is an enlarged, top right isometric view thereof.  
FIG. 3 is an enlarged, front elevational view thereof.  
FIG. 4 is an enlarged, top plan view thereof.  
FIG. 5 is an enlarged, bottom plan view thereof.  
FIG. 6 is an enlarged, left side elevational view thereof; and,  
FIG. 7 is an enlarged, right side view thereof.  
The broken lines are for illustrative purposes only and form no part of the claimed design.

**1 Claim, 4 Drawing Sheets**

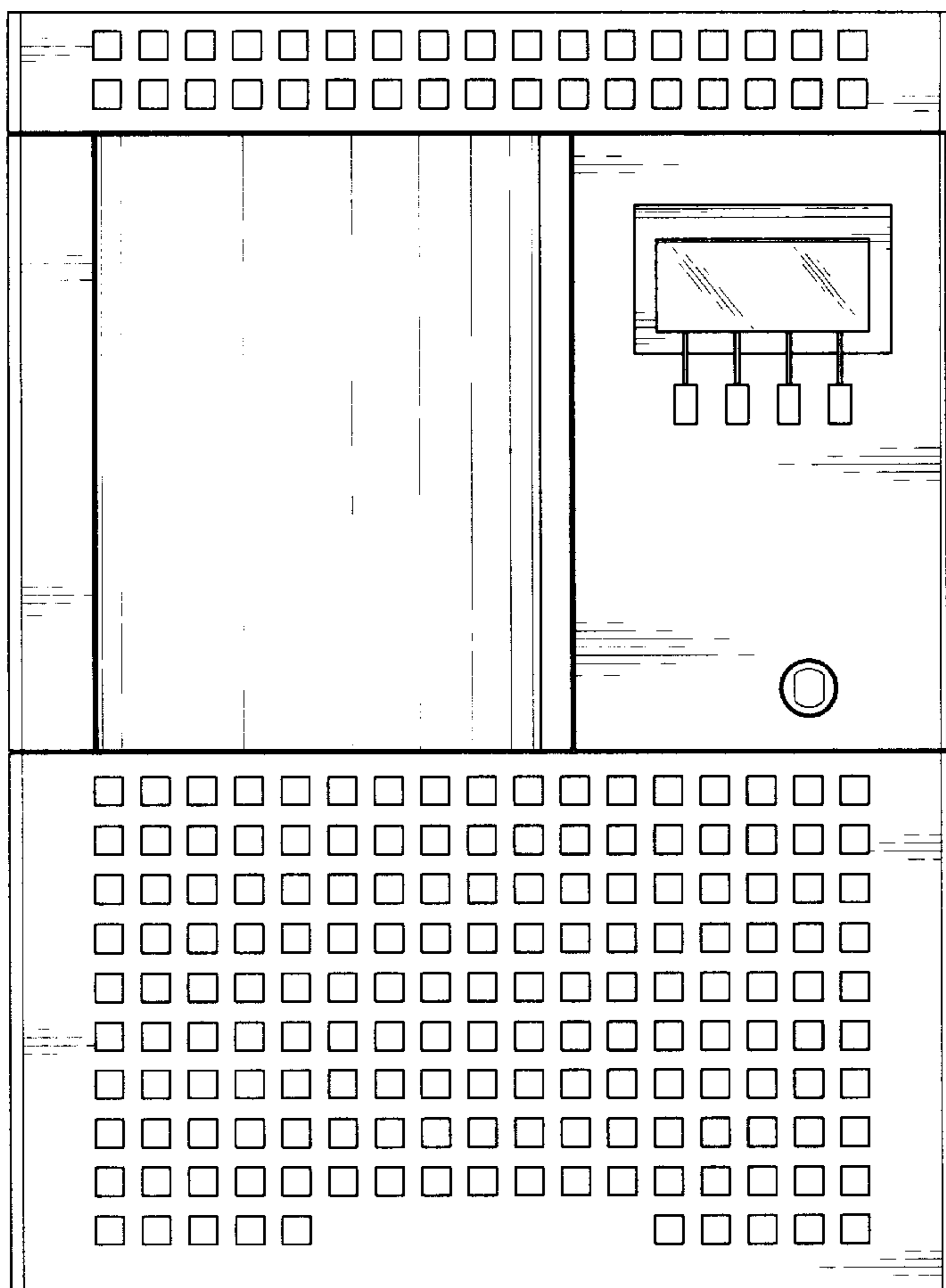




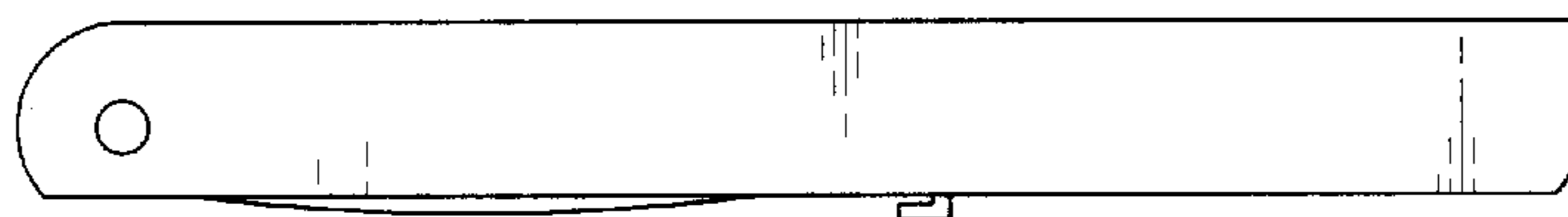
*Fig. 1*



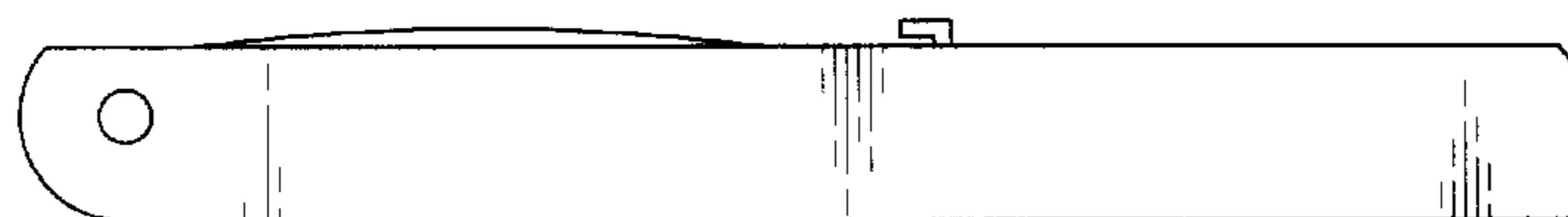
*Fig. 2*



*Fig. 3*



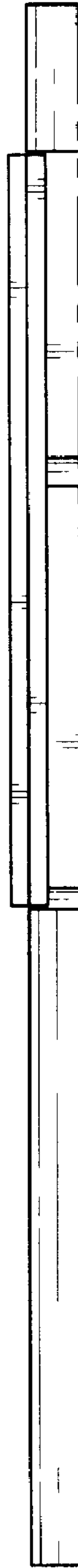
*Fig. 4*



*Fig. 5*



*Fig. 6*



*Fig. 7*