



US00D425877S

# United States Patent [19]

Kochanski et al.

[11] **Patent Number: Des. 425,877**

[45] **Date of Patent: \*\* May 30, 2000**

[54] **LAPTOP COMPUTER SUPPORT WITH POWER, DATA AND VOICE CONNECTOR ASSEMBLY**

[75] Inventors: **Walter T. Kochanski**, Fort Wayne; **Edward J. Keil**, Rome City, both of Ind.

[73] Assignee: **Group Dekko Services, LLC**, Kendallville, Ind.

[\*\*] Term: **14 Years**

[21] Appl. No.: **29/096,684**

[22] Filed: **Nov. 18, 1998**

[51] **LOC (7) Cl.** ..... **14-02**

[52] **U.S. Cl.** ..... **D14/114**

[58] **Field of Search** ..... D14/114; 248/917-924, 248/442.2, 441.1, 118.1, 346.01, 346; 312/223.3, 196; 108/96, 95

### [56] **References Cited**

#### U.S. PATENT DOCUMENTS

4,515,086 5/1985 Kwiecinski et al. .... 108/96

5,758,934 6/1998 Flutka et al. .... 312/223.3  
5,829,721 11/1998 Jurik et al. .... 248/118

*Primary Examiner*—Kay H. Chin  
*Attorney, Agent, or Firm*—Taylor & Associates, P.C.

### [57] **CLAIM**

The ornamental design for a laptop computer support with power, data and voice connector assembly, as shown and described.

### **DESCRIPTION**

FIG. 1 is a top perspective view of a laptop computer support with power, data and voice connector assembly showing our new design;

FIG. 2 is a top plan view thereof;

FIG. 3 is a front elevational view thereof;

FIG. 4 is a rear elevational view thereof;

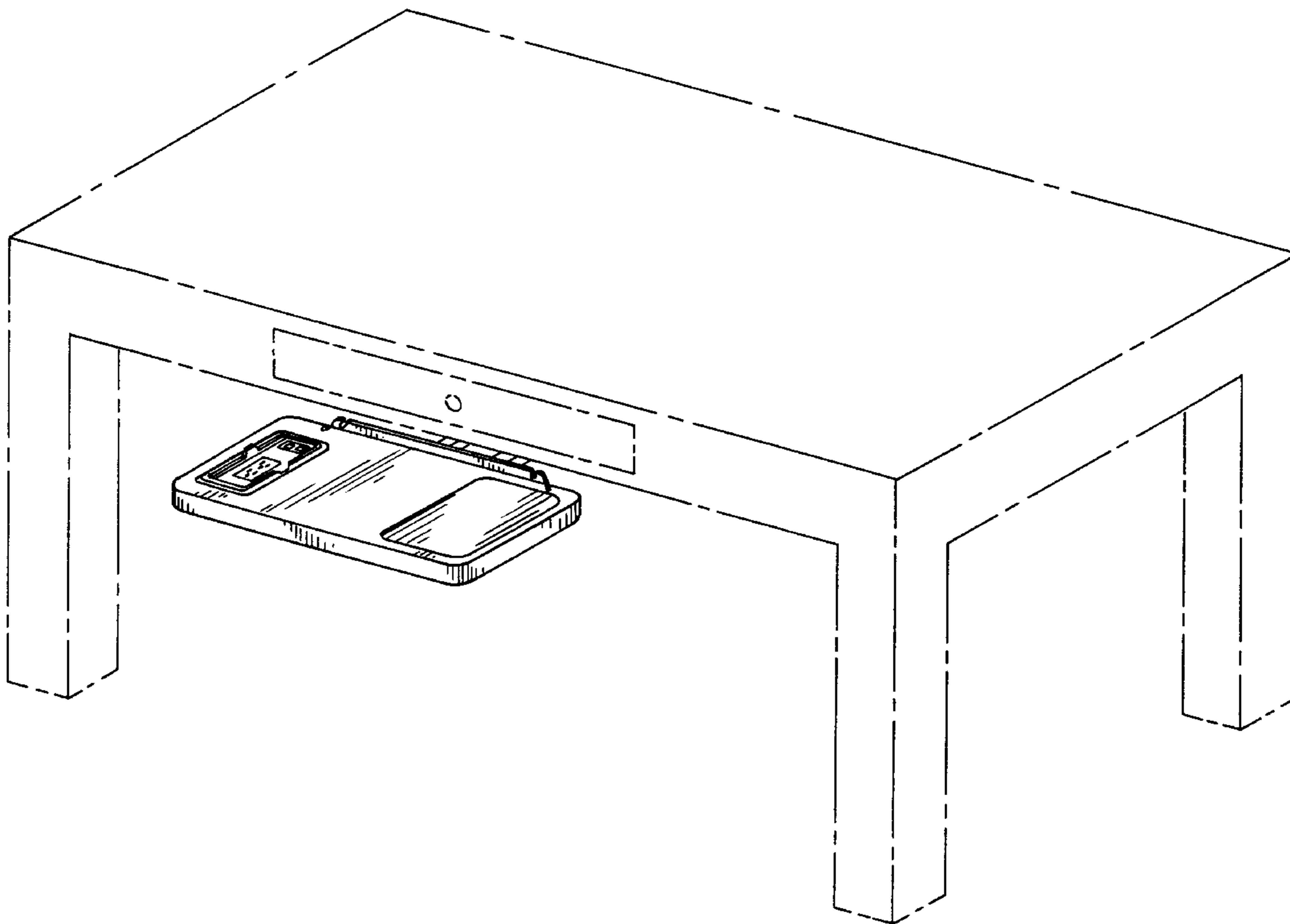
FIG. 5 is a right side elevational view thereof;

FIG. 6 is a left side elevational view thereof; and,

FIG. 7 is a bottom plan view thereof.

The broken lines are for illustrative purposes only and form no part of the claimed design.

**1 Claim, 3 Drawing Sheets**



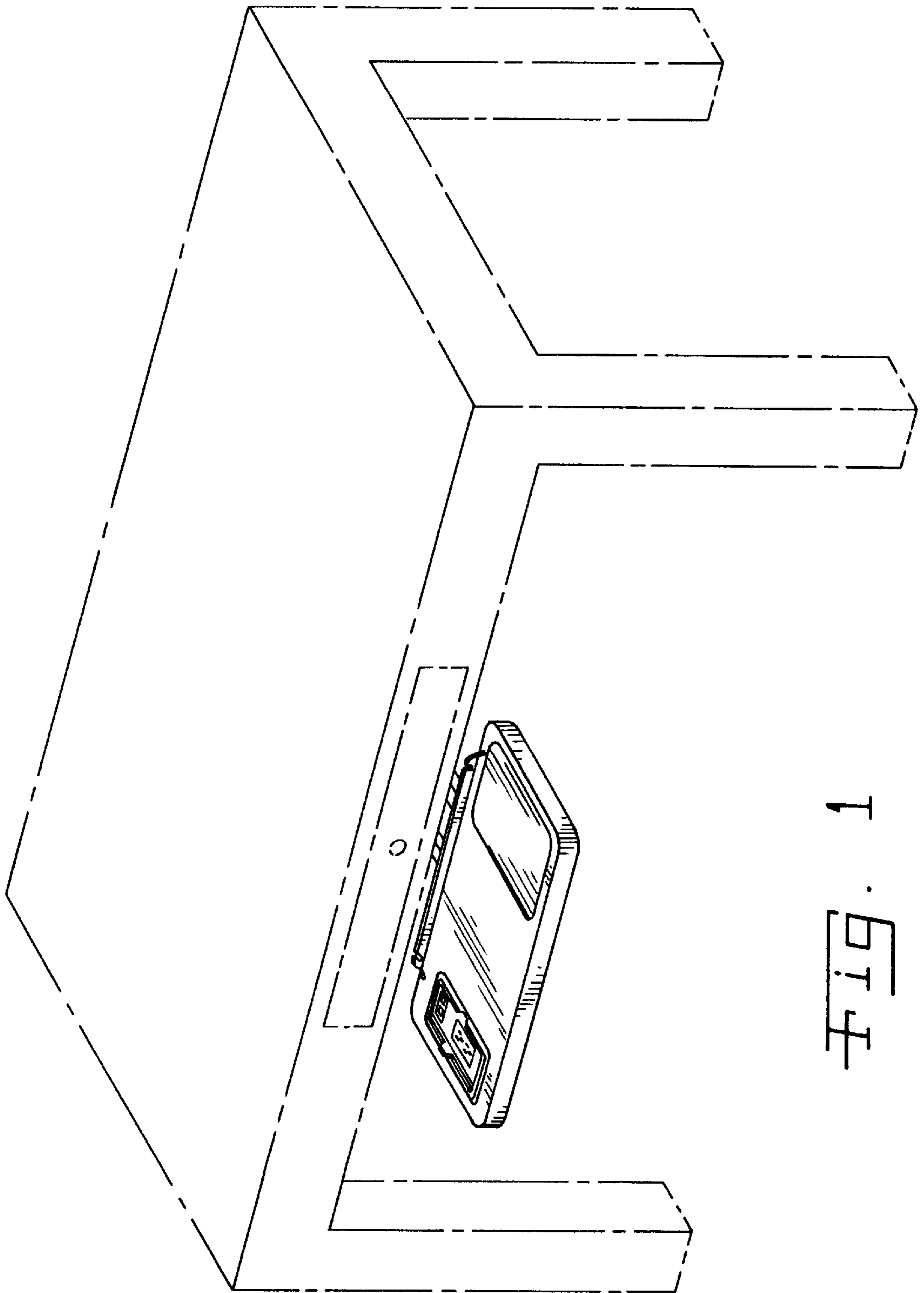


FIG. 1

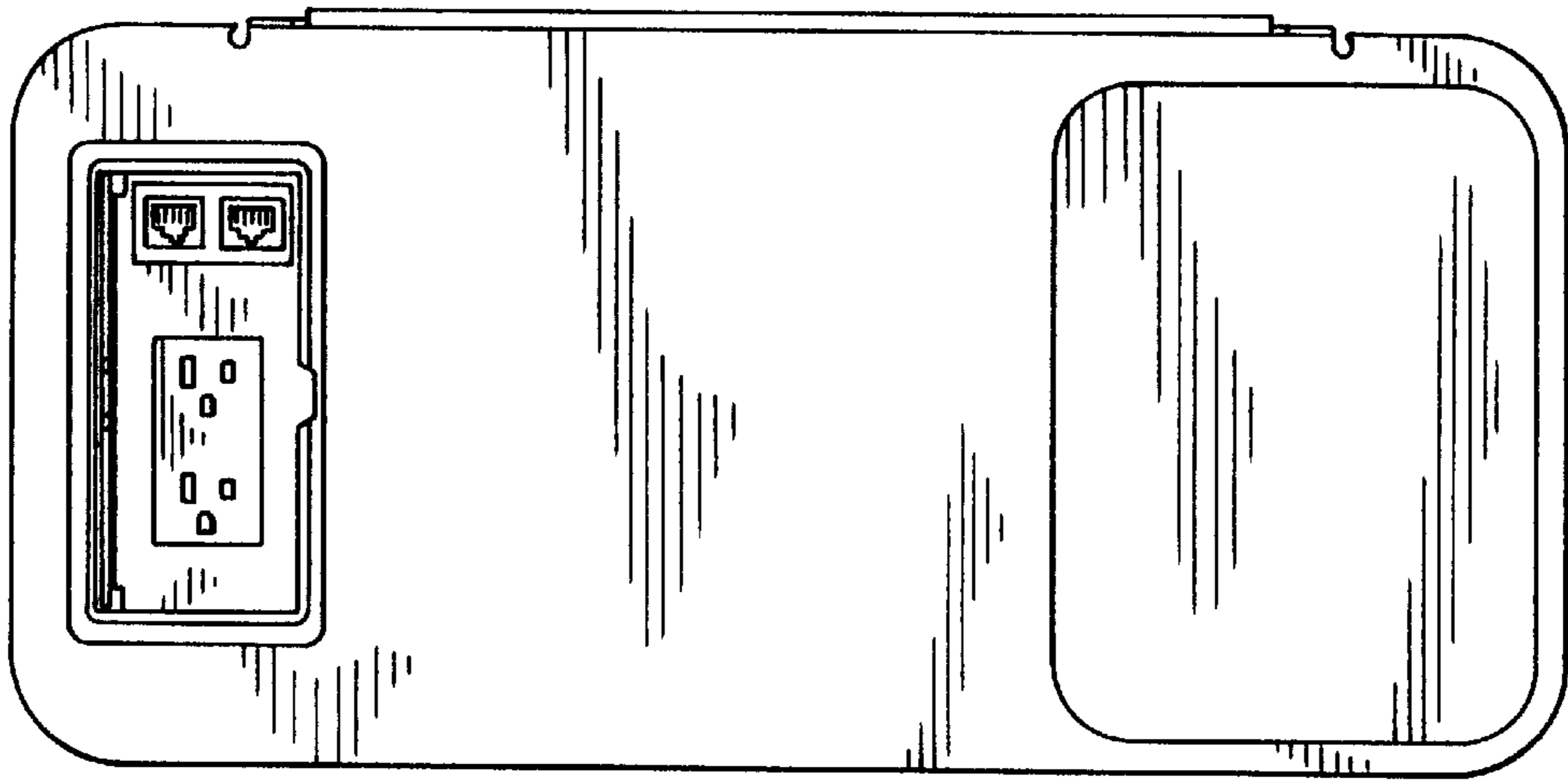


Fig. 2

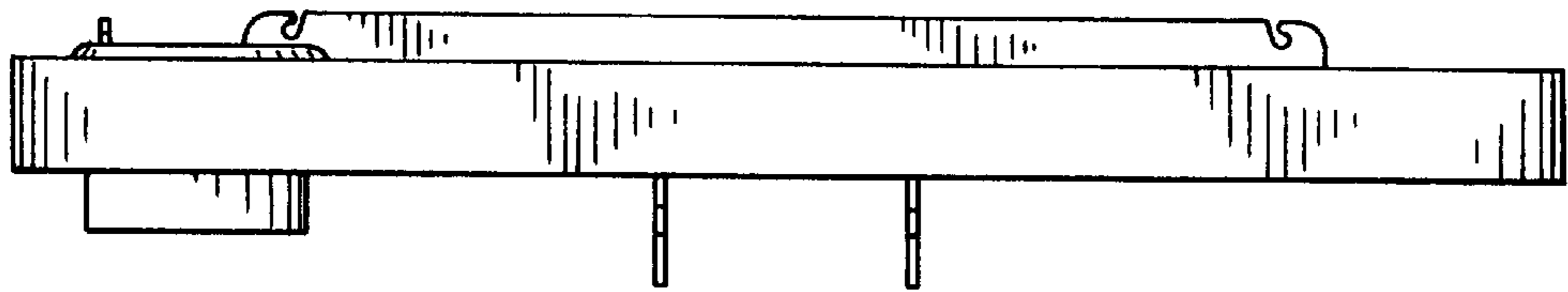


Fig. 3

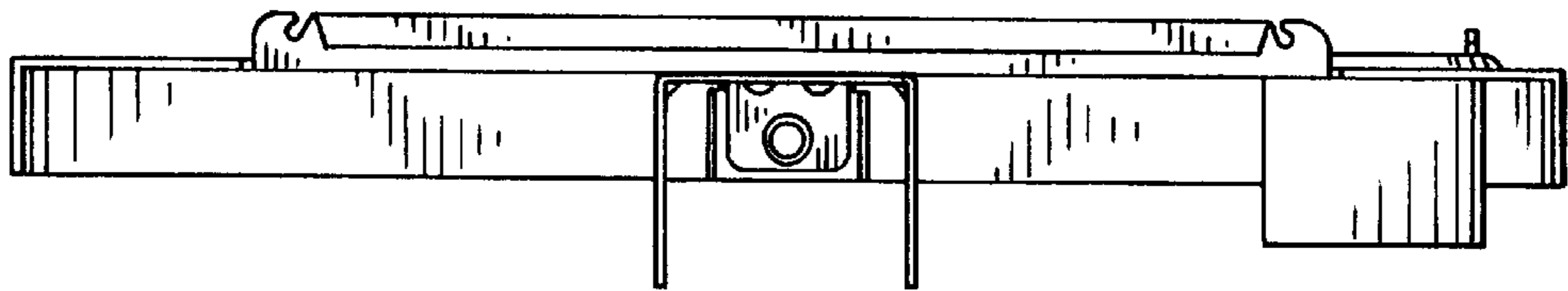


Fig. 4

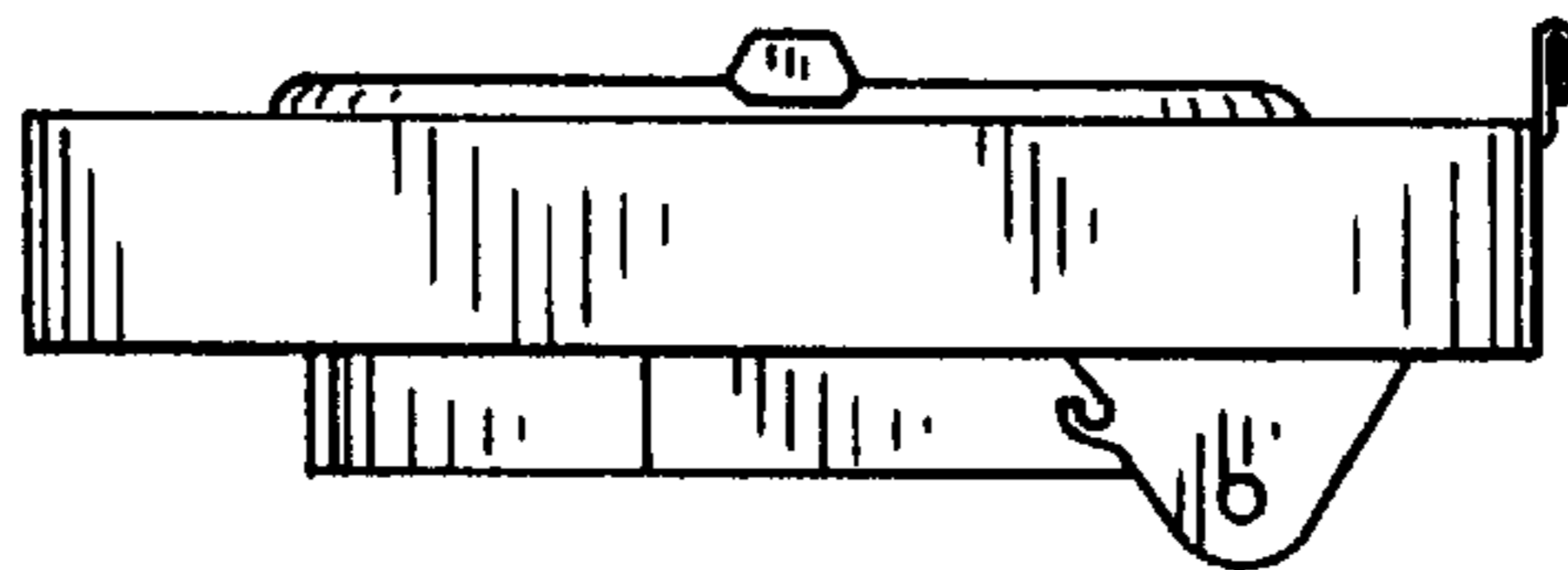


Fig. 5

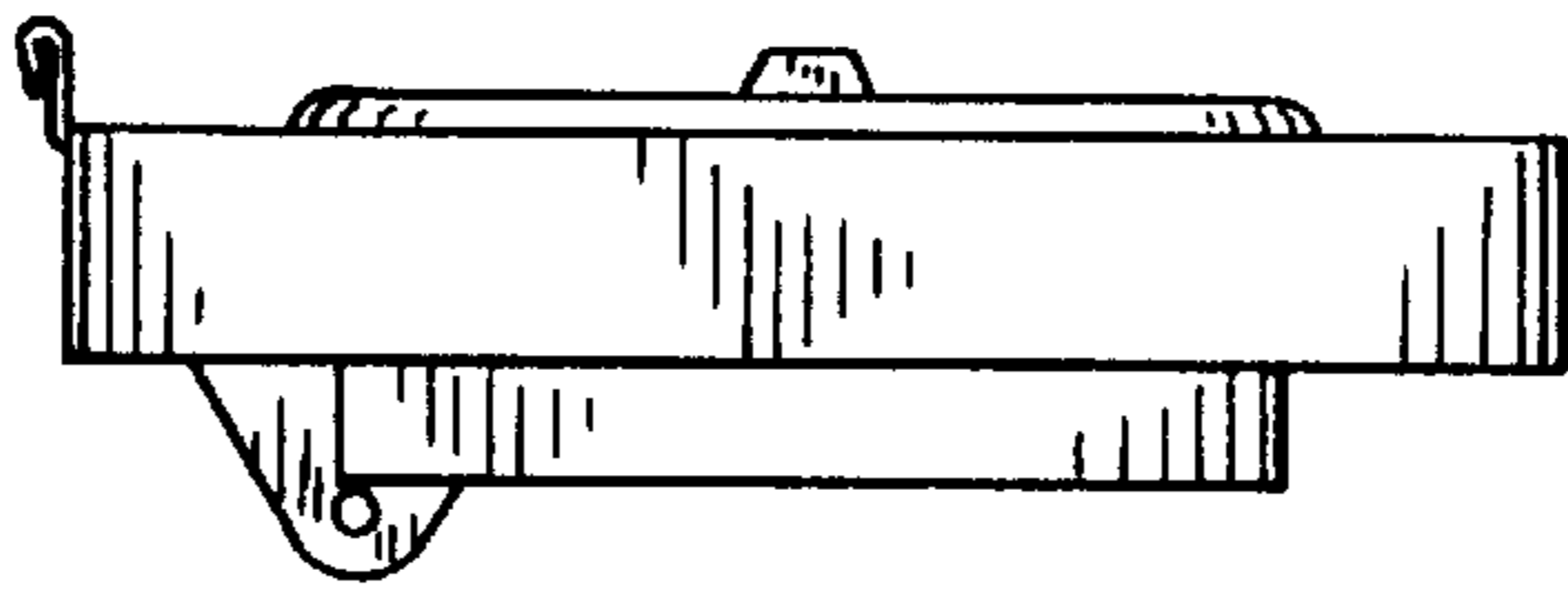


Fig. 6

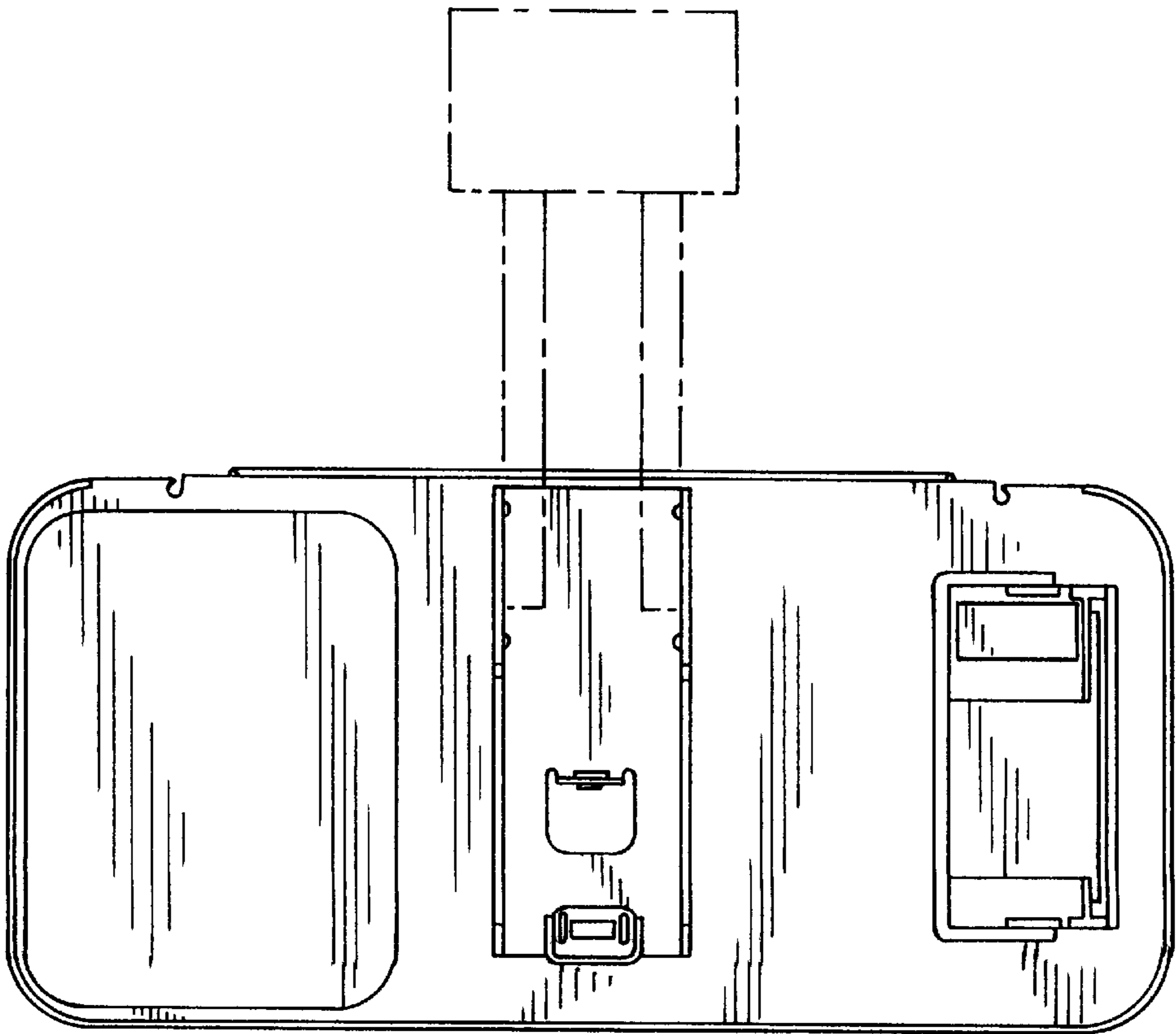


Fig. 7