



US00D425876S

# United States Patent [19]

[11] Patent Number: Des. 425,876

Maiers et al.

[45] Date of Patent: \*\* May 30, 2000

## [54] DATA STORAGE DISK CARTRIDGE

## FOREIGN PATENT DOCUMENTS

[75] Inventors: **Michael A. Maiers**, San Jose; **Brian T. Bonn**, Scotts Valley; **Scot C. Fairchild**, Santa Clara, all of Calif.

60-061949	4/1985	Japan .
060124076	7/1985	Japan .
62-014388	1/1987	Japan .
62-031079	2/1987	Japan .
06076522	3/1994	Japan .
06243628	9/1994	Japan .
07244950	9/1995	Japan .
07262729	10/1995	Japan .

[73] Assignee: **TeraStor Corporation**, San Jose, Calif.

[\*\*] Term: **14 Years**

*Primary Examiner*—M. H. Tung  
*Attorney, Agent, or Firm*—Fish & Richardson P.C., P.A.

[21] Appl. No.: **29/087,171**

[22] Filed: **Apr. 28, 1998**

## [57] CLAIM

[51] **LOC (7) Cl.** ..... **14-02**

The ornamental design for a data storage disk cartridge, as shown and described.

[52] **U.S. Cl.** ..... **D14/114**

[58] **Field of Search** ..... D14/100, 107, D14/114; D6/626-7; 360/60, 129, 132-3, 155, 97.01-99.12; 206/312, 307, 308.1, 472; 369/291, 273, 77.2

## DESCRIPTION

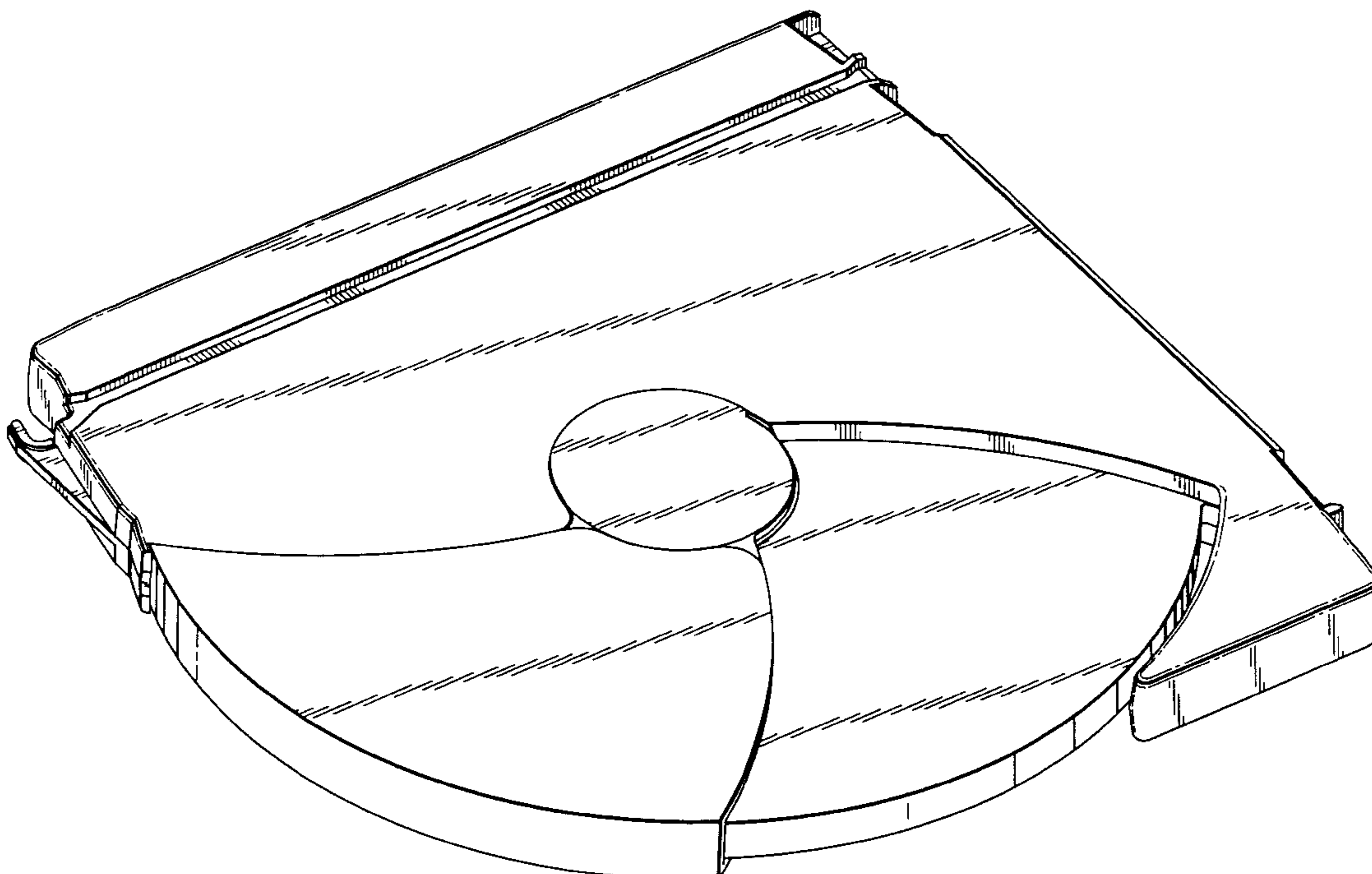
## [56] References Cited

### U.S. PATENT DOCUMENTS

D. 346,596	5/1994	Kajita et al. ....	D14/114
D. 351,593	10/1994	Miyazaki .....	D14/114
D. 358,586	5/1995	Miyazaki et al. ....	D14/114
D. 364,858	12/1995	McGrath et al. ....	D14/114
D. 378,518	3/1997	Sumner et al. ....	D14/114
D. 392,954	3/1998	Ikenaga .....	D14/114
D. 405,438	2/1999	Nowell et al. ....	D14/114
5,381,402	1/1995	Lee et al. ....	369/291
5,450,379	9/1995	Fujimori et al. ....	369/275.1
5,481,420	1/1996	Cardona et al. ....	360/99.06
5,570,252	10/1996	Sumner et al. ....	360/133
5,636,095	6/1997	McGrath et al. ....	360/133
5,671,109	9/1997	Sumner et al. ....	360/133
5,694,278	12/1997	Sumner .....	360/133

FIG. 1 is a top perspective view of a data storage disk cartridge of the present invention;  
 FIG. 2 is a bottom perspective view of a data storage disk cartridge as shown in FIG. 1;  
 FIG. 3 is a top plan view of a data storage disk cartridge as shown in FIG. 1;  
 FIG. 4 is a bottom plan view of a data storage disk cartridge as shown in FIG. 1;  
 FIG. 5 is a front view of a data storage disk cartridge on an enlarged scale as shown in FIG. 1;  
 FIG. 6 is a rear view of a data storage disk cartridge on an enlarged scale as shown in FIG. 1;  
 FIG. 7 is a first side view of a data storage disk cartridge on an enlarged scale as shown in FIG. 1; and,  
 FIG. 8 is a second side view of a data storage disk cartridge on an enlarged scale as shown in FIG. 1 from a side opposite that shown in FIG. 7.

**1 Claim, 6 Drawing Sheets**



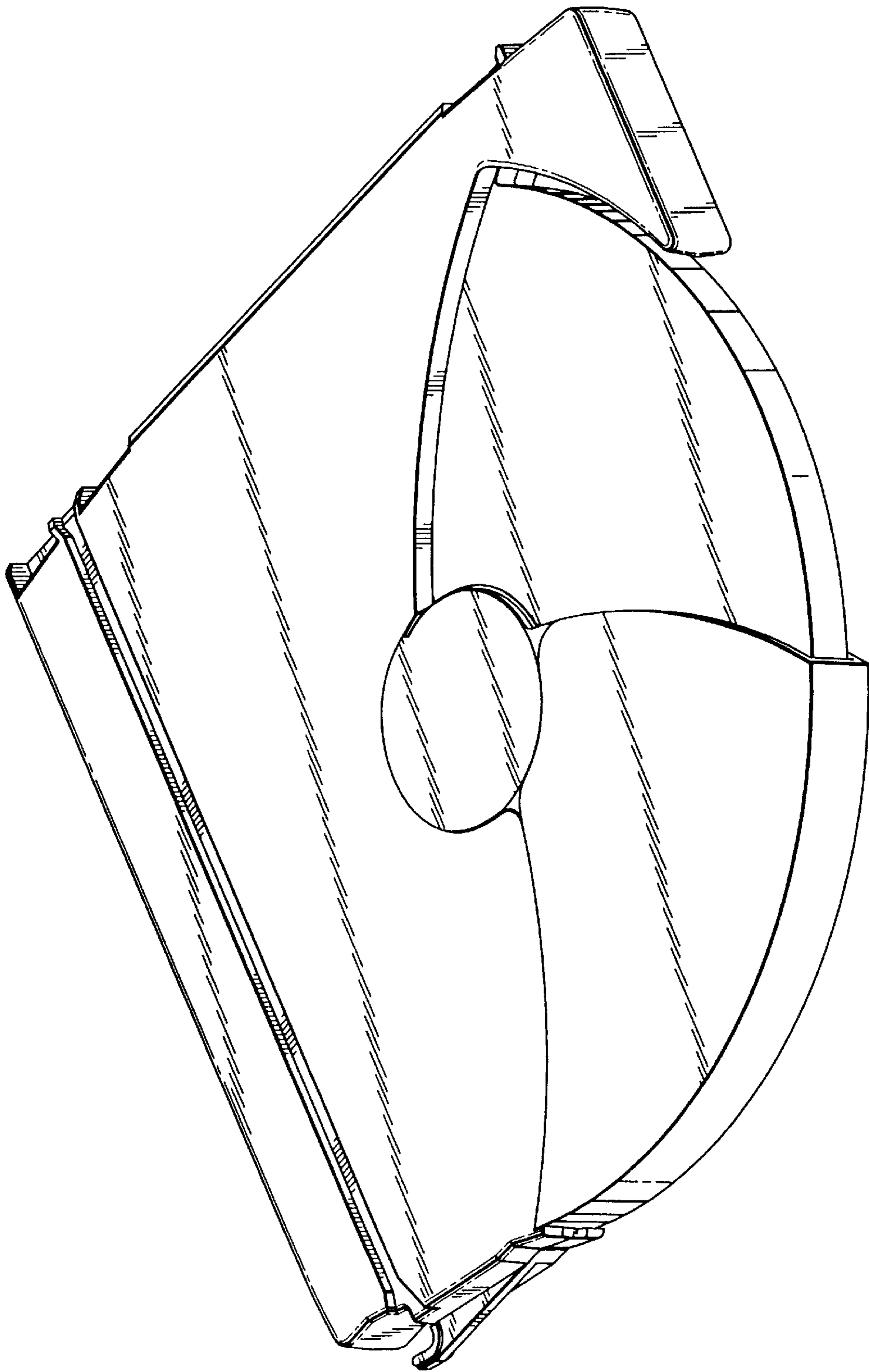


FIG. 1

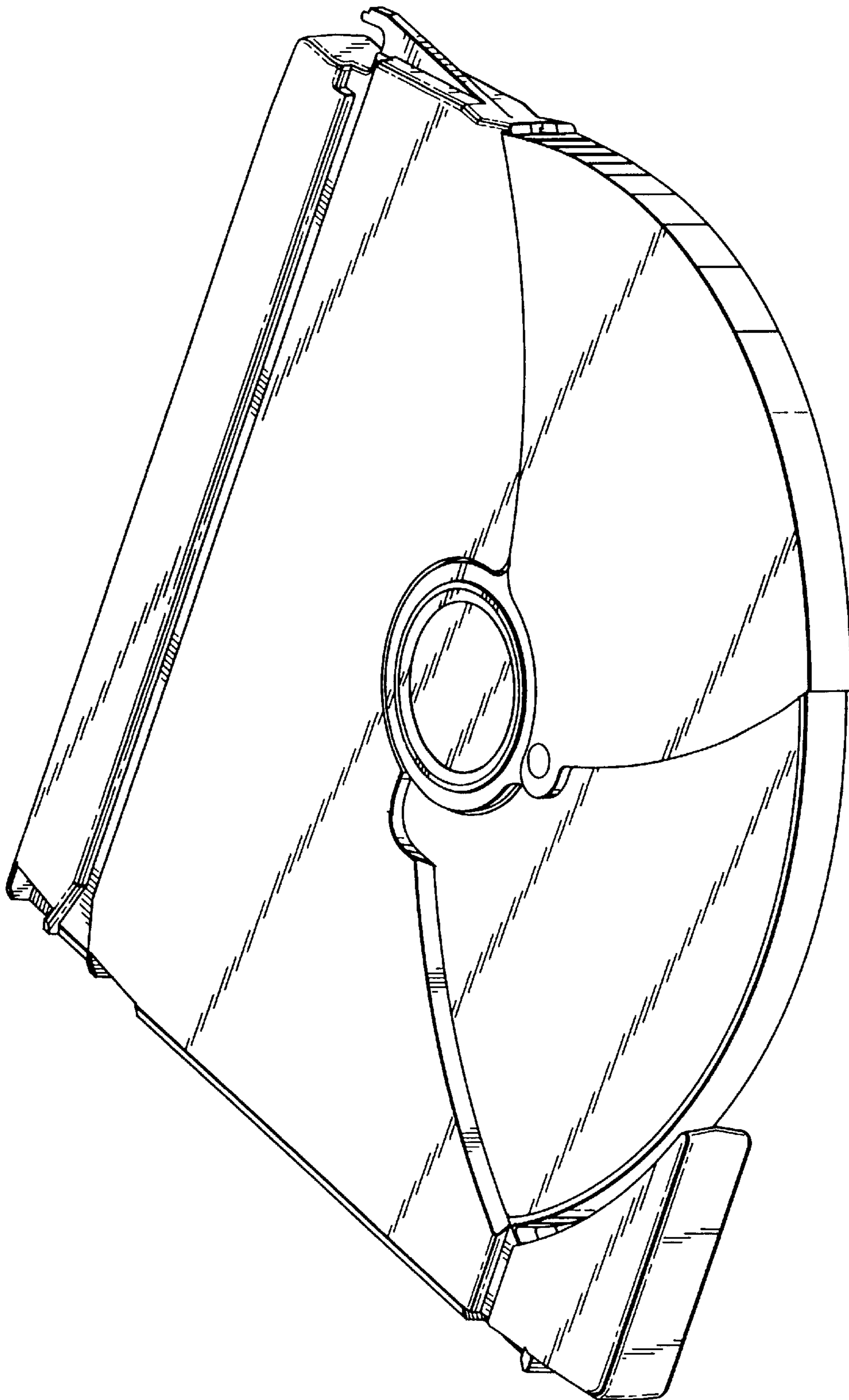


FIG. 2

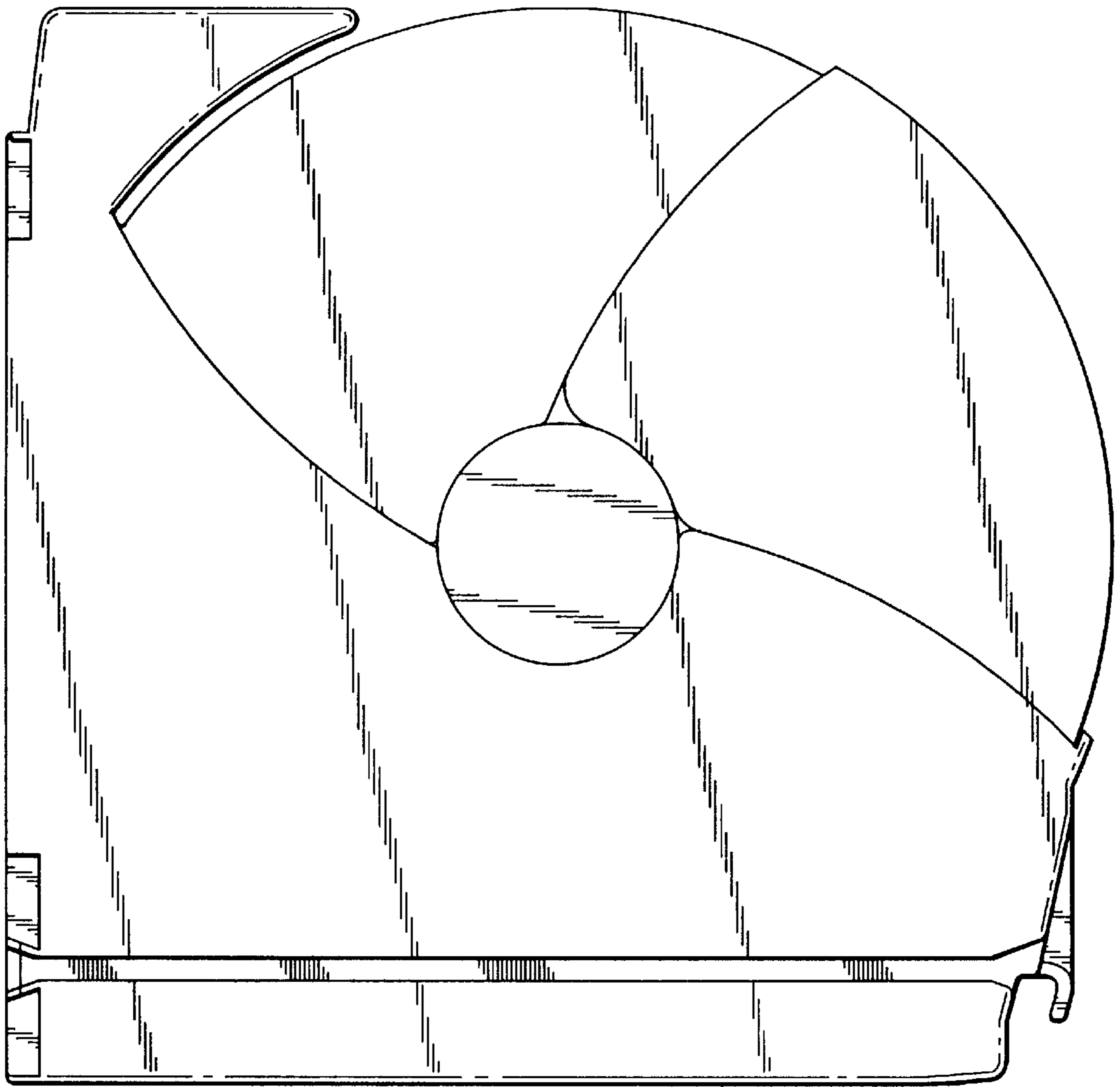


FIG. 3

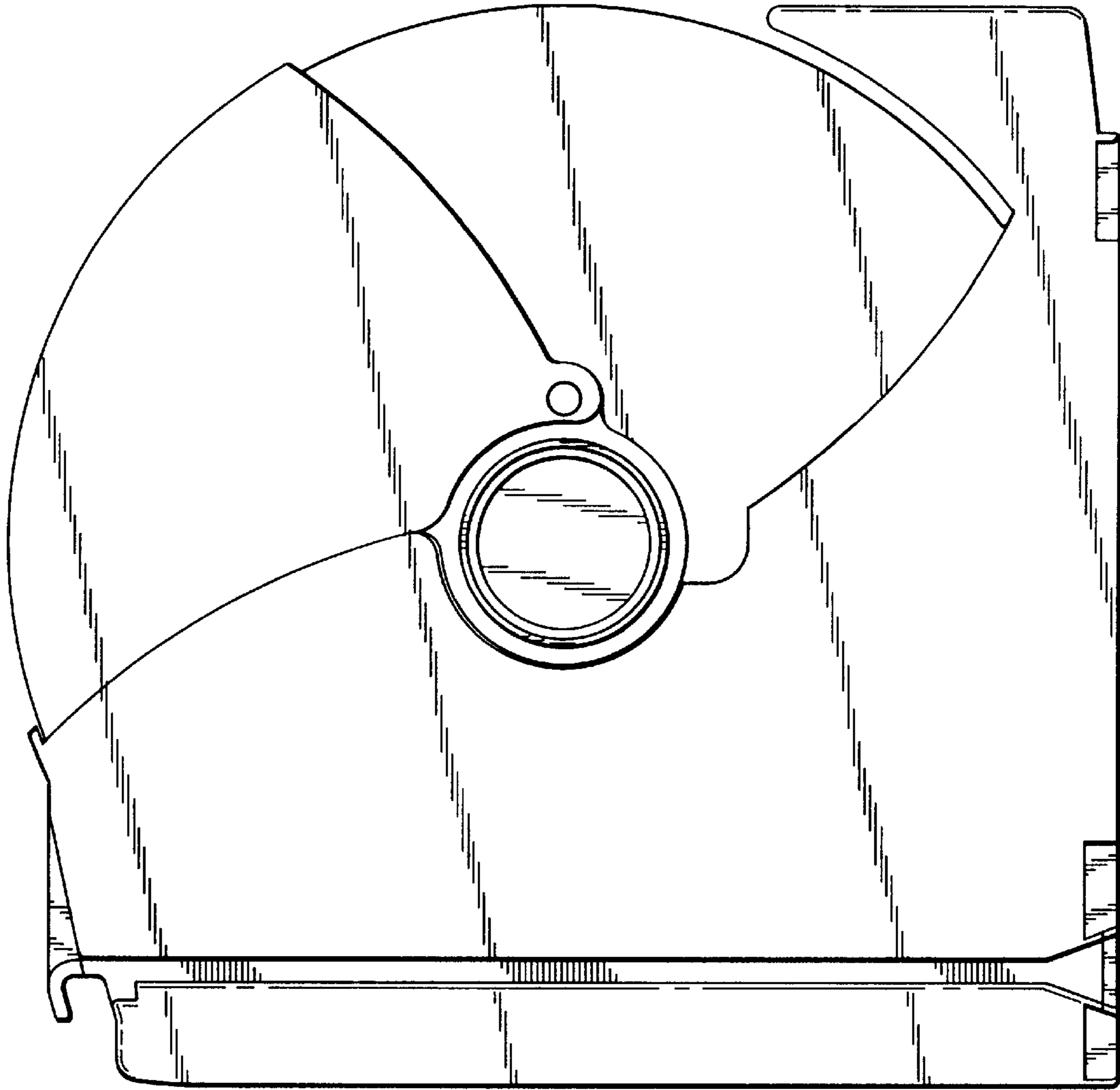


FIG. 4

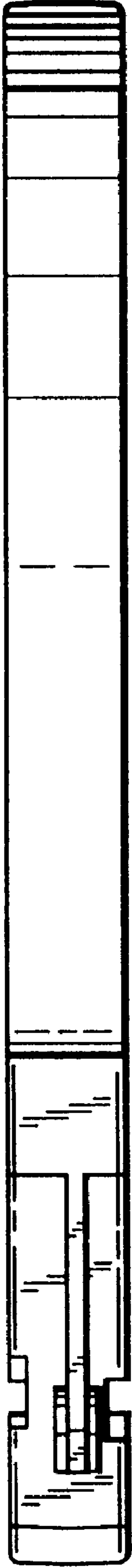


FIG. 5

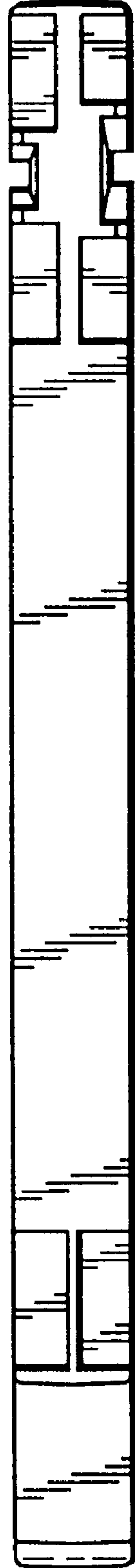


FIG. 6

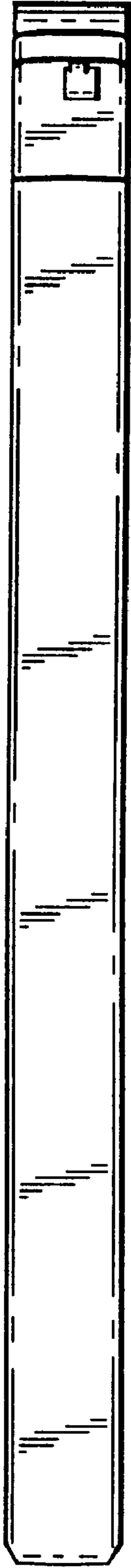


FIG. 7

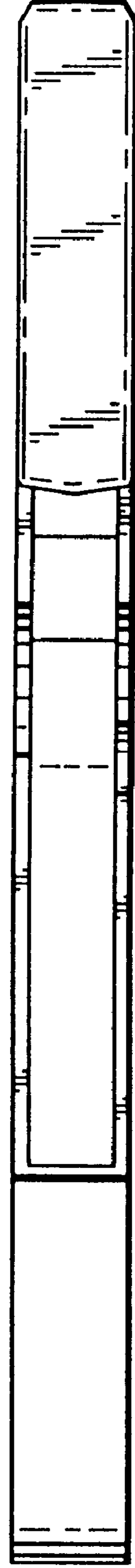


FIG. 8