



US00D425871S

# United States Patent [19] Ishii

[11] **Patent Number: Des. 425,871**

[45] **Date of Patent: \*\* \*May 30, 2000**

[54] **QUARTZ FIN HEAT RETAINING TUBE**

[75] Inventor: **Katsutoshi Ishii**, Kanagawa, Japan

[73] Assignee: **Tokyo Electron Limited**, Tokyo-To, Japan

[\*] Notice: This patent is subject to a terminal disclaimer.

[\*\*] Term: **14 Years**

[21] Appl. No.: **29/074,284**

[22] Filed: **Jul. 24, 1997**

### [30] Foreign Application Priority Data

Jan. 31, 1997 [JP] Japan ..... 9-2655

[51] **LOC (7) Cl.** ..... **13-03**

[52] **U.S. Cl.** ..... **D13/182**

[58] **Field of Search** ..... D23/340; D13/182, D13/179; D15/144, 144.1, 199; 392/416, 418; 118/724, 725, 50.1, 729, 730

### [56] References Cited

#### U.S. PATENT DOCUMENTS

D. 361,752 8/1995 Yamaga ..... D13/182

D. 380,454 7/1997 Ewai et al. .... D13/182  
5,303,671 4/1994 Kondo et al. .... 118/725  
5,482,558 1/1996 Watanabe et al. .... 118/724

*Primary Examiner*—Lisa Lichtenstein  
*Attorney, Agent, or Firm*—Ladas & Parry

### [57] CLAIM

The ornamental design for a quartz fin heat retaining tube, as shown.

### DESCRIPTION

FIG. 1 is a perspective view of a quartz fin heat retaining tube.

FIG. 2 is a top plan view thereof.

FIG. 3 is a front elevational view thereof.

FIG. 4 is a cross sectional view taken along line 4—4 in FIG. 3.

FIG. 5 is a cross sectional view taken along line 5—5 in FIG. 3.

FIG. 6 is a left side view thereof.

FIG. 7 is a right side view thereof.

FIG. 8 is a bottom plan view thereof; and,

FIG. 9 is a rear elevational view thereof.

**1 Claim, 3 Drawing Sheets**

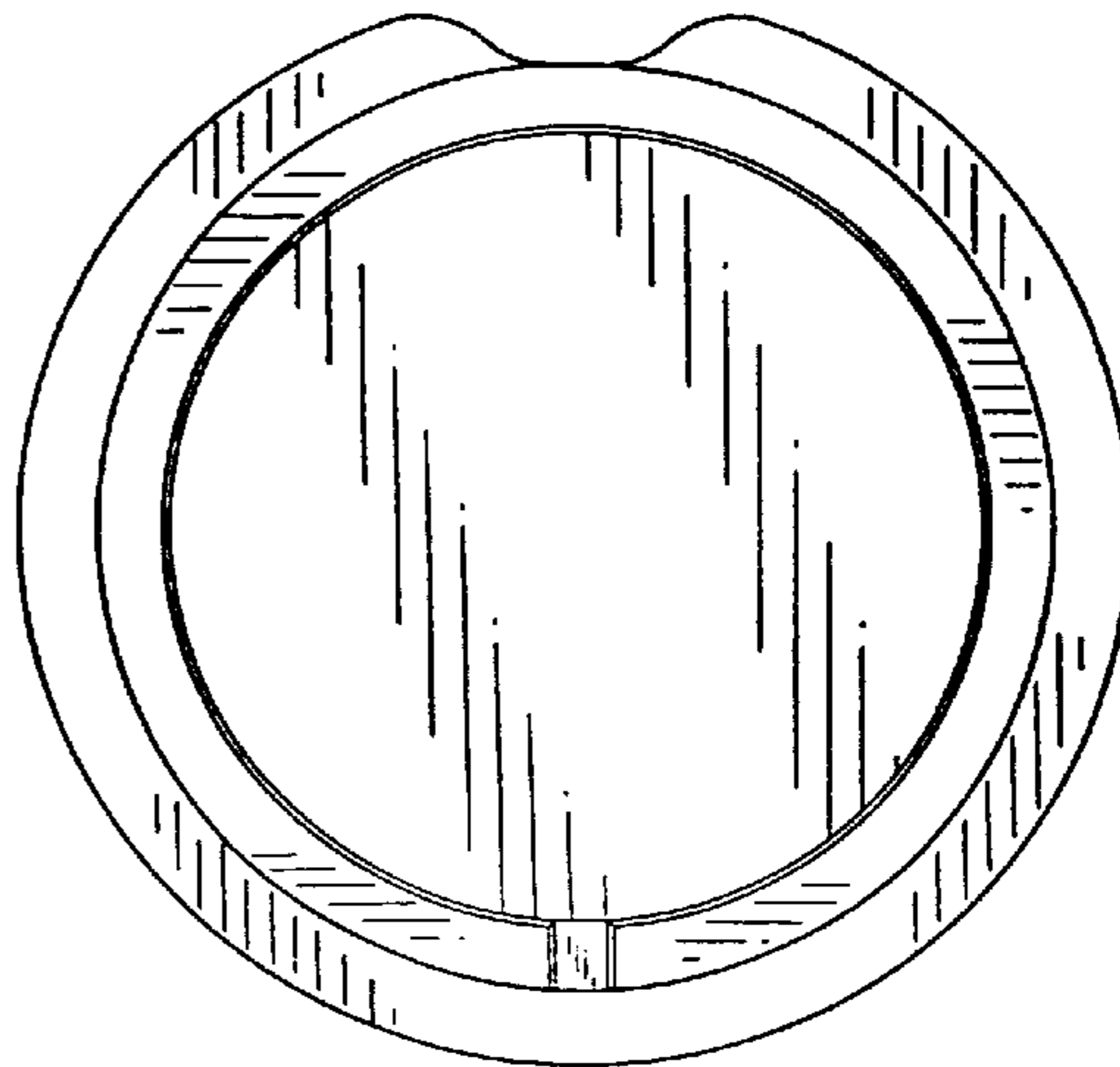
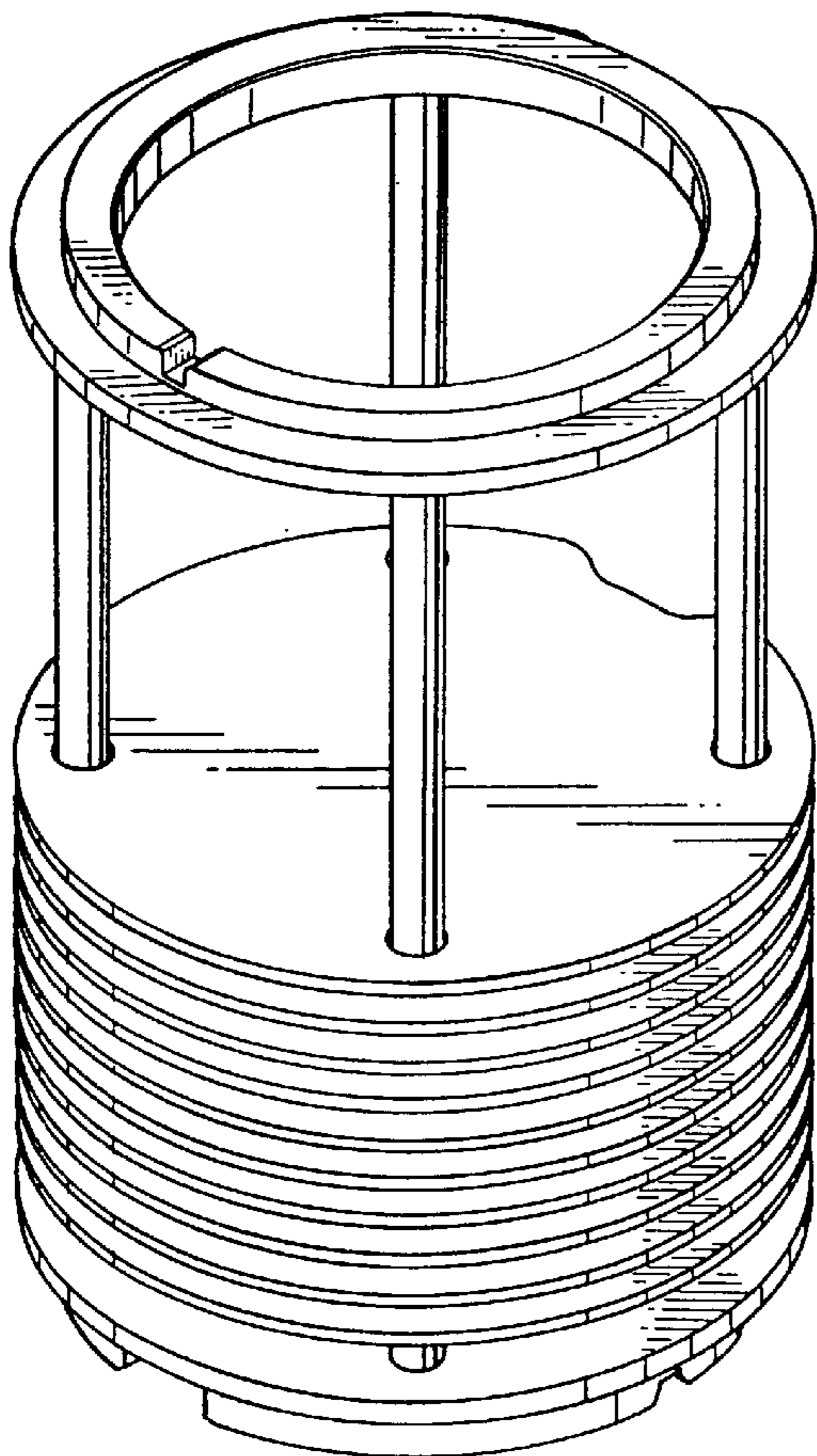


FIG. 1

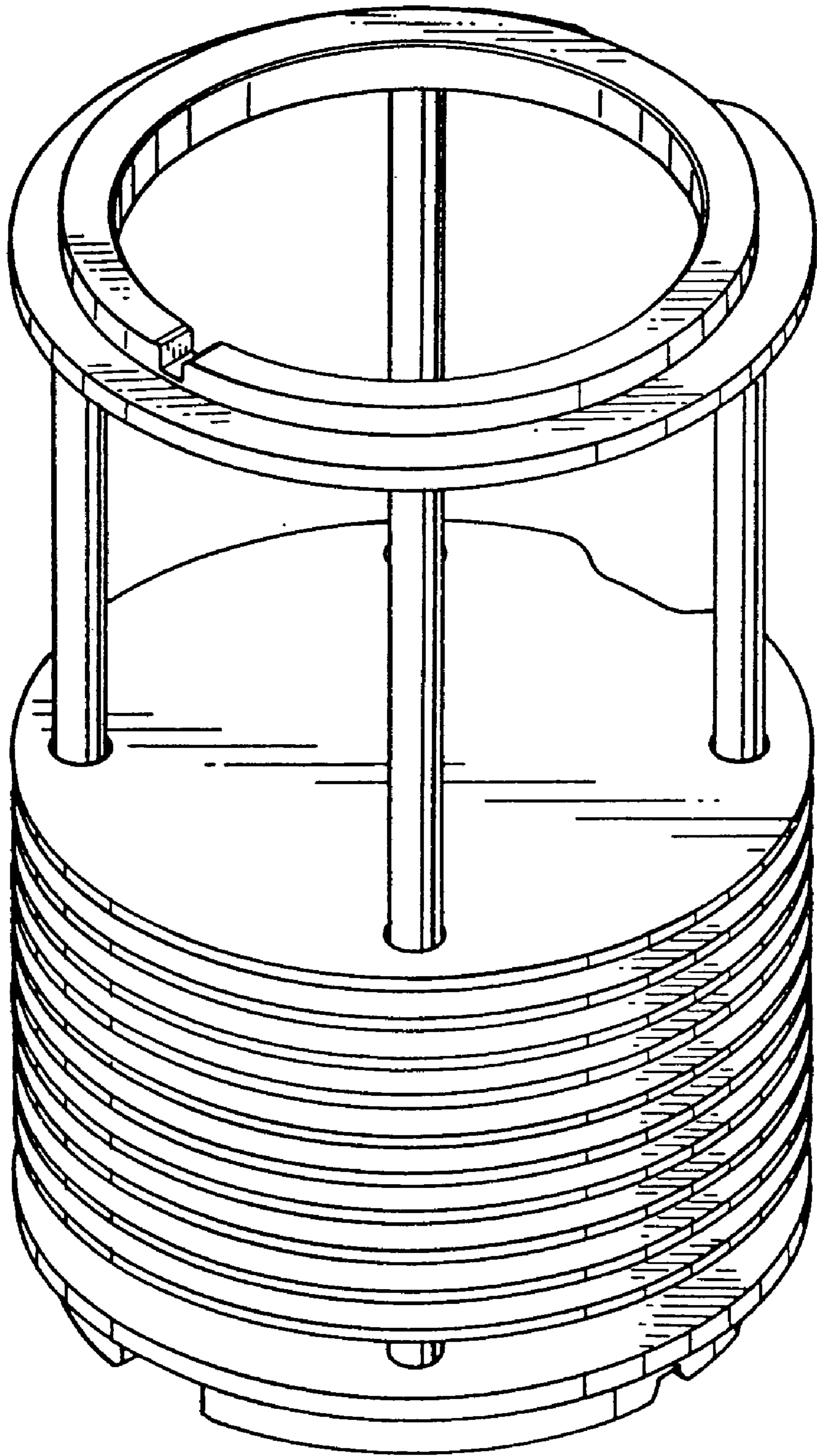


FIG. 2

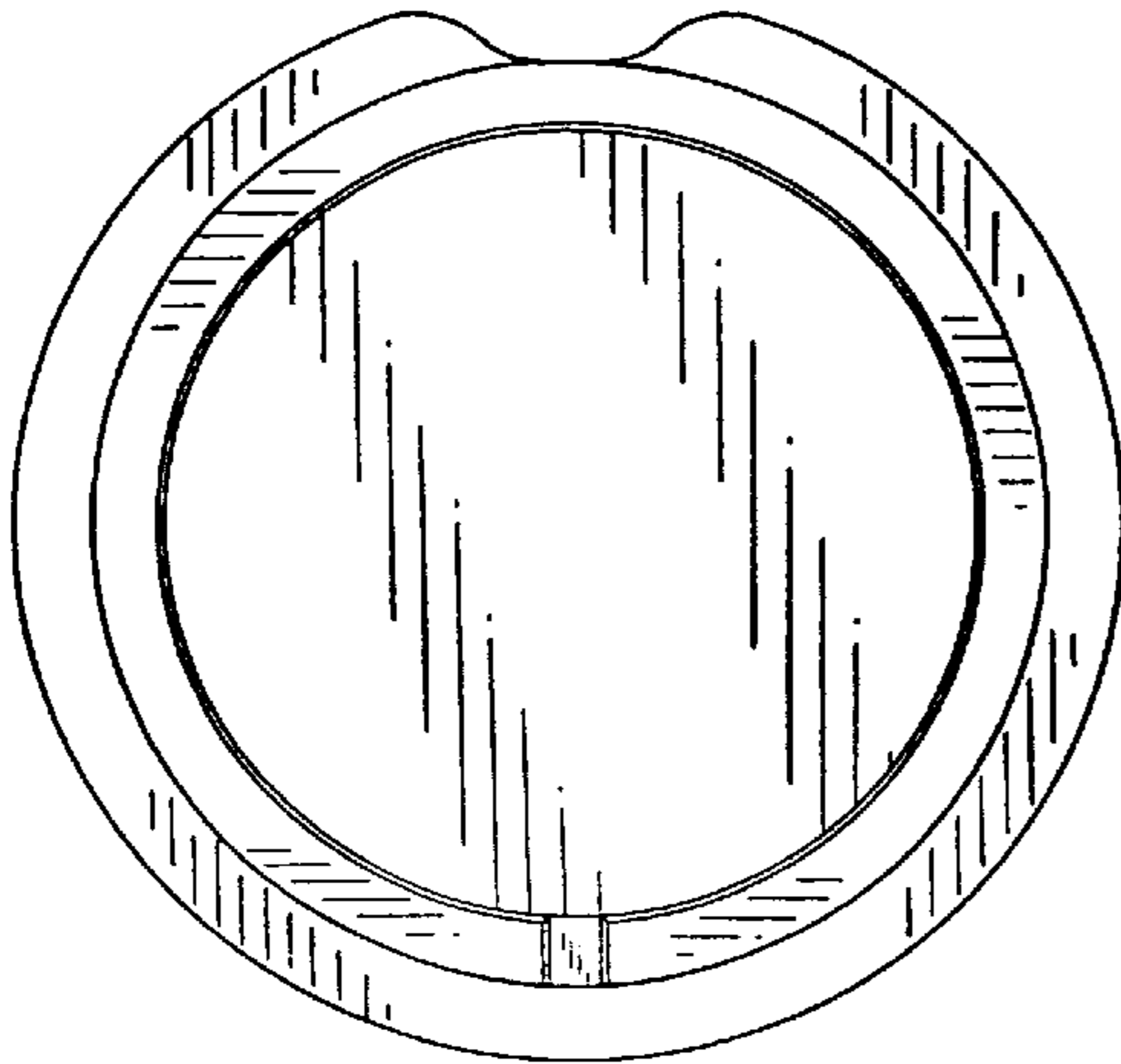


FIG. 3

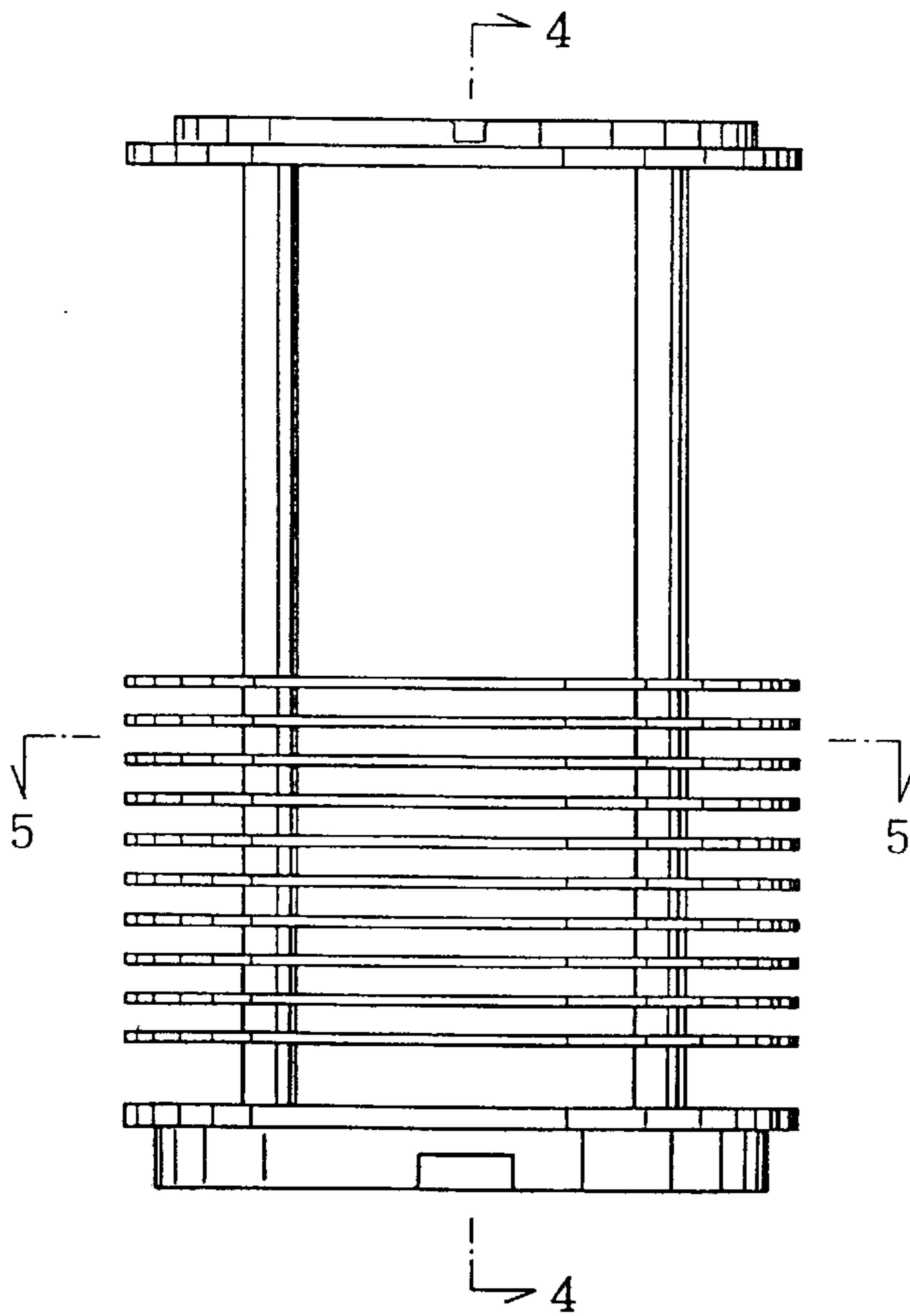


FIG. 4

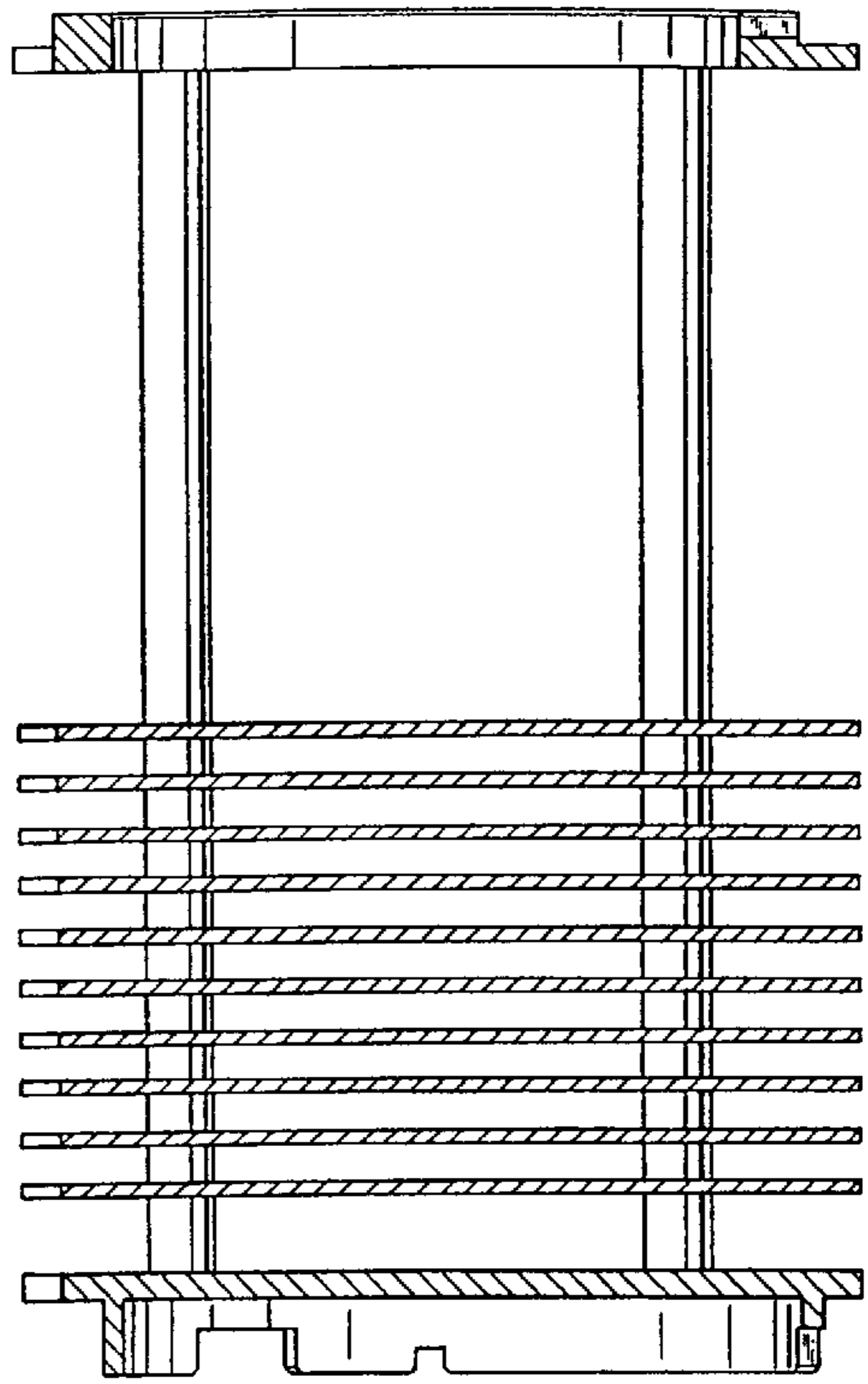


FIG. 5

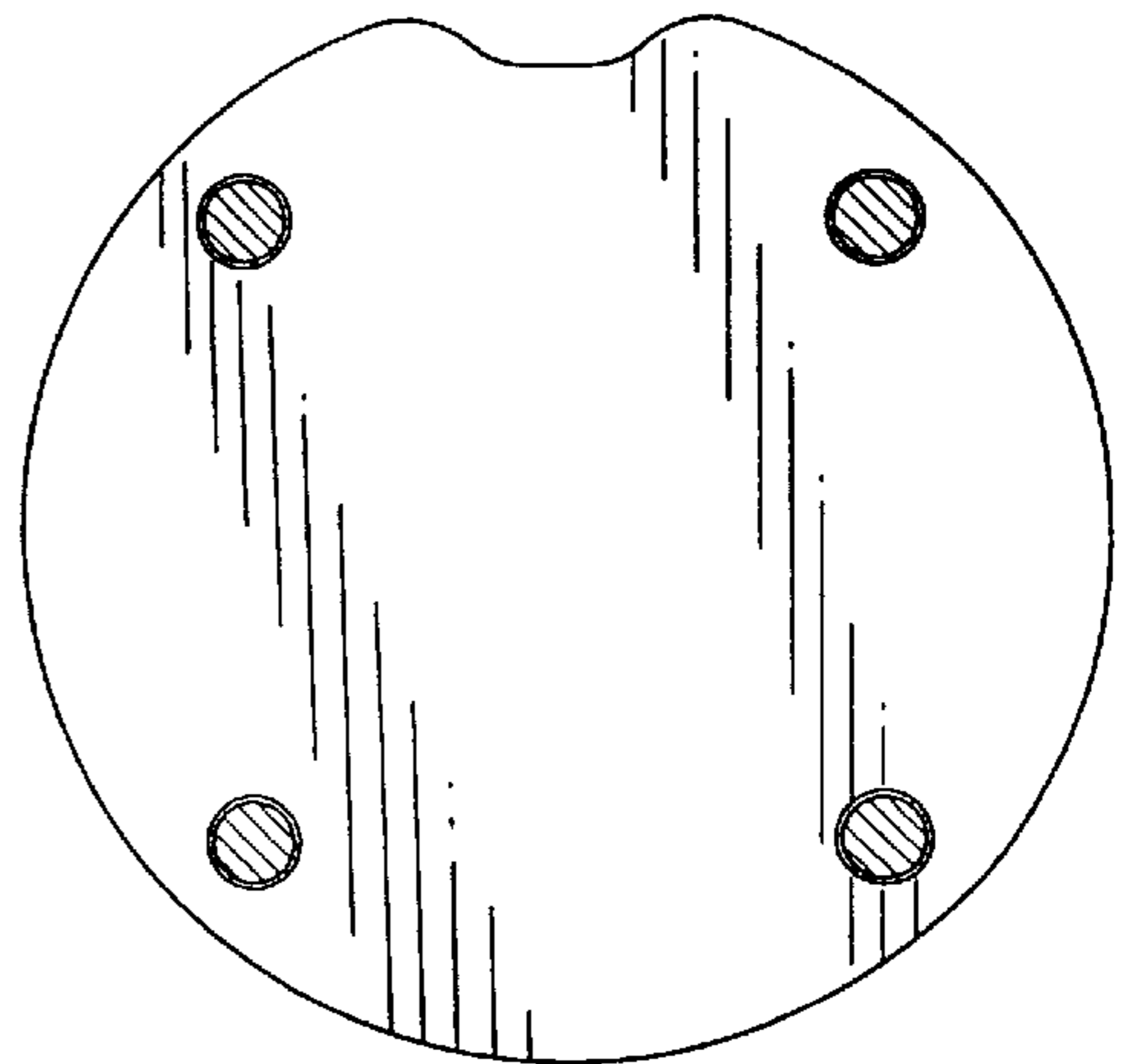


FIG. 6

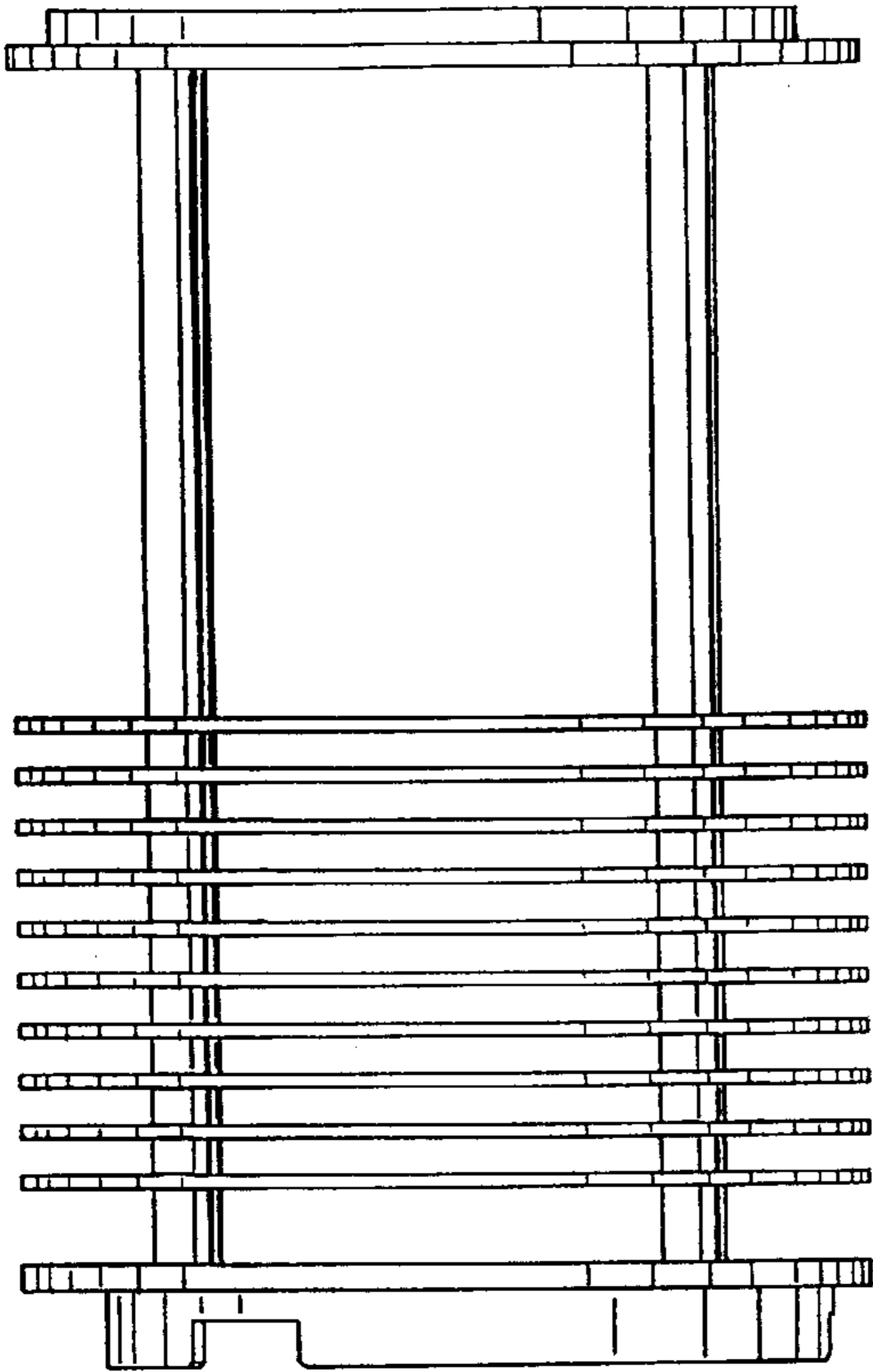


FIG. 7

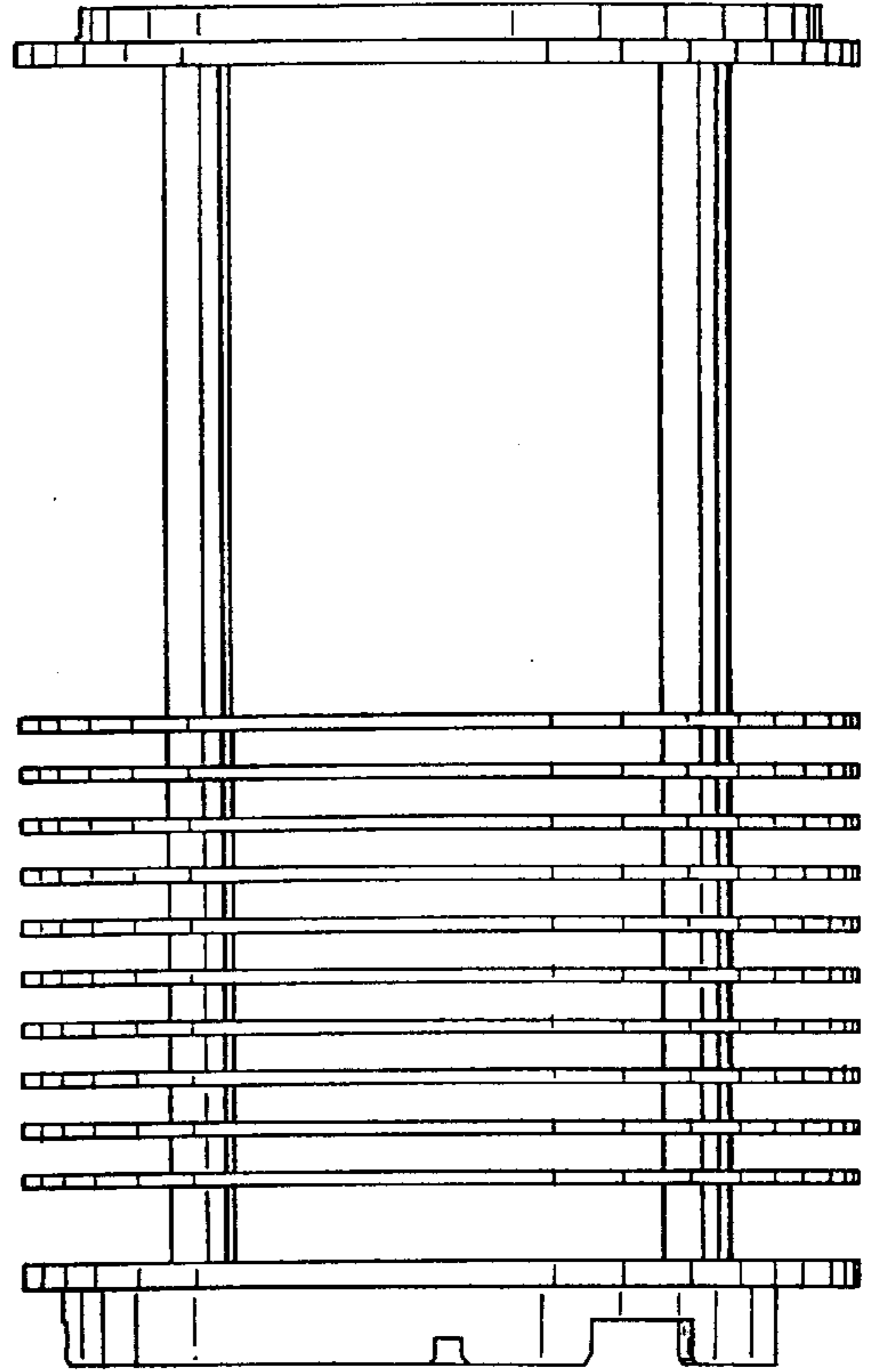


FIG. 8

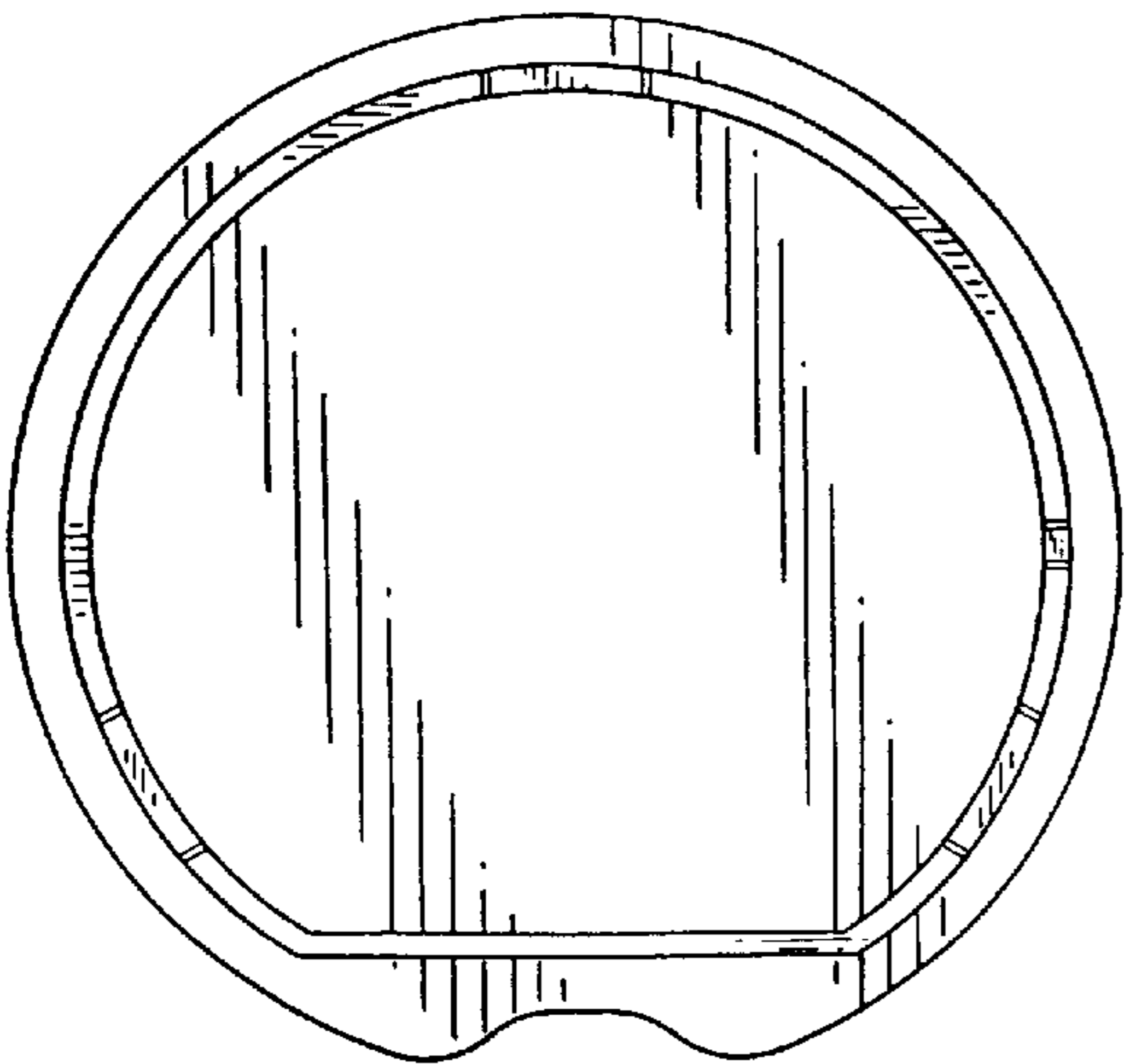


FIG. 9

