



US00D425870S

United States Patent [19] Torrez

[11] Patent Number: **Des. 425,870**

[45] Date of Patent: **** May 30, 2000**

[54] **FUSED DISCONNECT MODULE**

[75] Inventor: **Jaime Alberto Torrez**, Chesterfield, Mo.

[73] Assignee: **Cooper Technologies Company**, Houston, Tex.

[**] Term: **14 Years**

[21] Appl. No.: **29/083,952**

[22] Filed: **Feb. 20, 1998**

[51] **LOC (7) Cl.** **13-03**

[52] **U.S. Cl.** **D13/160**

[58] **Field of Search** D13/158, 160, D13/161; 361/104, 119, 601, 626, 630, 642, 673, 833, 835, 837

5,556,305 9/1996 Naegelin .
 5,622,507 4/1997 Kasai .
 5,624,280 4/1997 Kato .
 5,626,492 5/1997 Onizuka et al. .
 5,645,448 7/1997 Hill .
 5,653,607 8/1997 Saka et al. .

Primary Examiner—Alan P. Douglas
Assistant Examiner—Lavone D. Tabor
Attorney, Agent, or Firm—Armstrong Teasdale LLP

[57] CLAIM

The ornamental design for a fused disconnect module, as shown and described.

DESCRIPTION

FIG. 1 is a right side, top, front perspective view of a fused disconnect module according to my new design;
 FIG. 2 is a right side, bottom rear perspective view thereof;
 FIG. 3 is a left side, top rear perspective view thereof;
 FIG. 4 is a left side, bottom, front perspective view thereof;
 FIG. 5 is a rear elevational view thereof;
 FIG. 6 is a front elevational view thereof;
 FIG. 7 is a bottom plan view thereof;
 FIG. 8 is a right side elevational view thereof; and,
 FIG. 9 is a left side elevational view thereof.

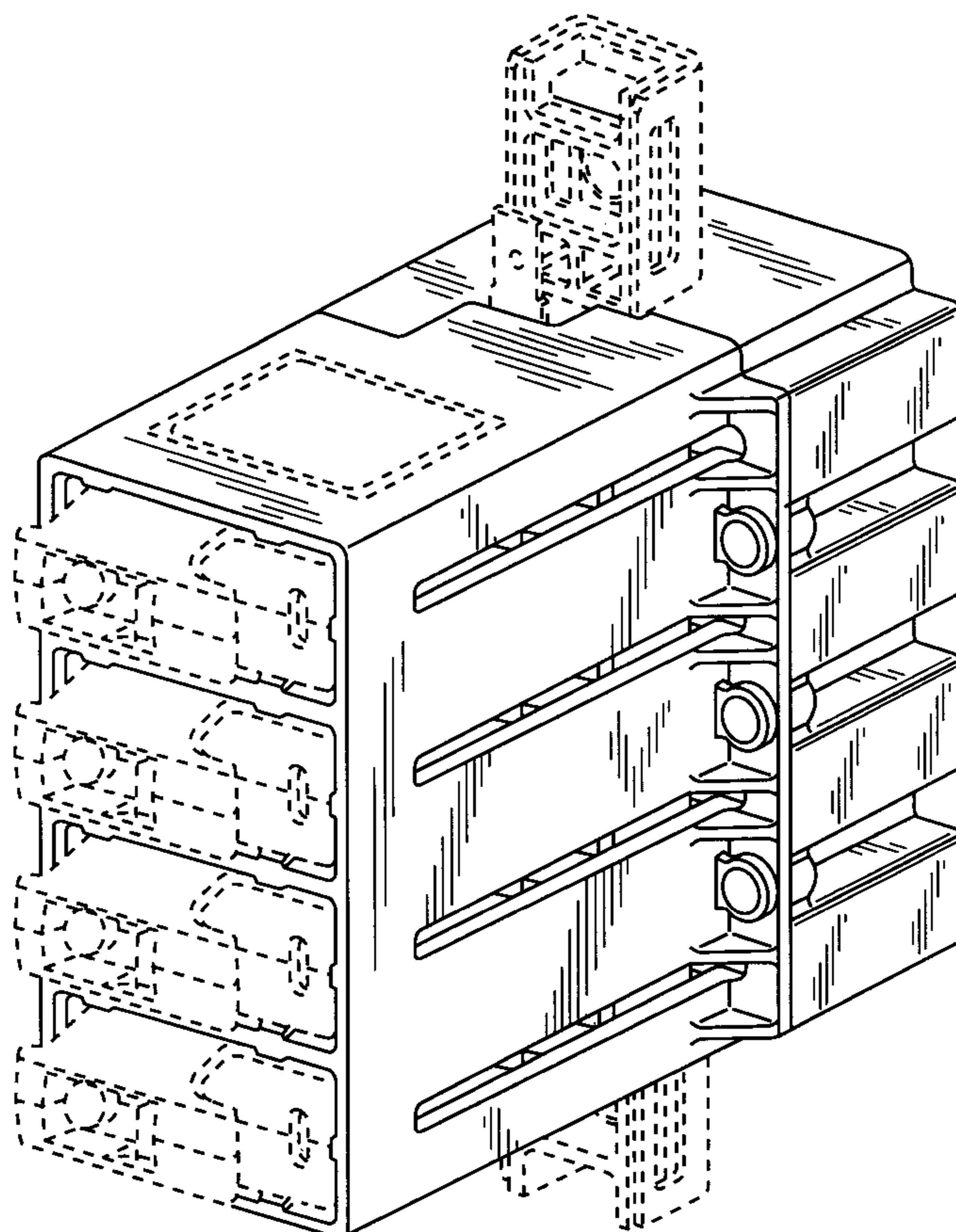
The broken line showing of various elements in FIGS. 1–9 is for illustrative purposes only and forms no part of the claimed design.

[56] References Cited

U.S. PATENT DOCUMENTS

D. 346,791	5/1994	Marach et al.	D13/160
D. 367,041	2/1996	Alfaro et al.	D13/160
D. 370,662	6/1996	Alfaro	D13/160
5,179,503	1/1993	Fouts et al. .	
5,215,479	6/1993	Araki et al. .	
5,314,354	5/1994	Nomura et al. .	
5,328,392	7/1994	Lin et al. .	
5,345,211	9/1994	Muramatsu et al. .	
5,438,310	8/1995	Ikari .	
5,543,581	8/1996	Kurata et al. .	

1 Claim, 8 Drawing Sheets



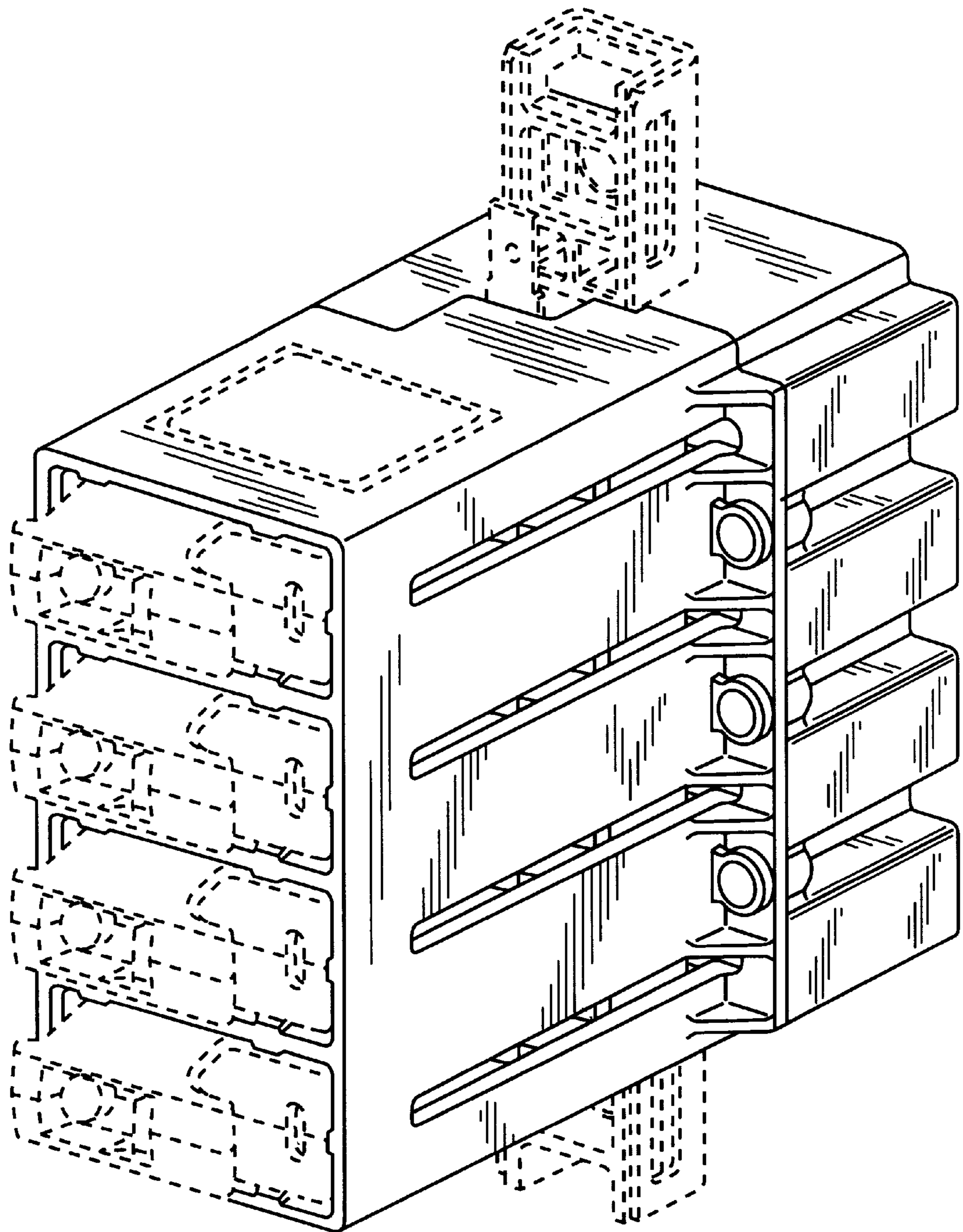


FIG. 1

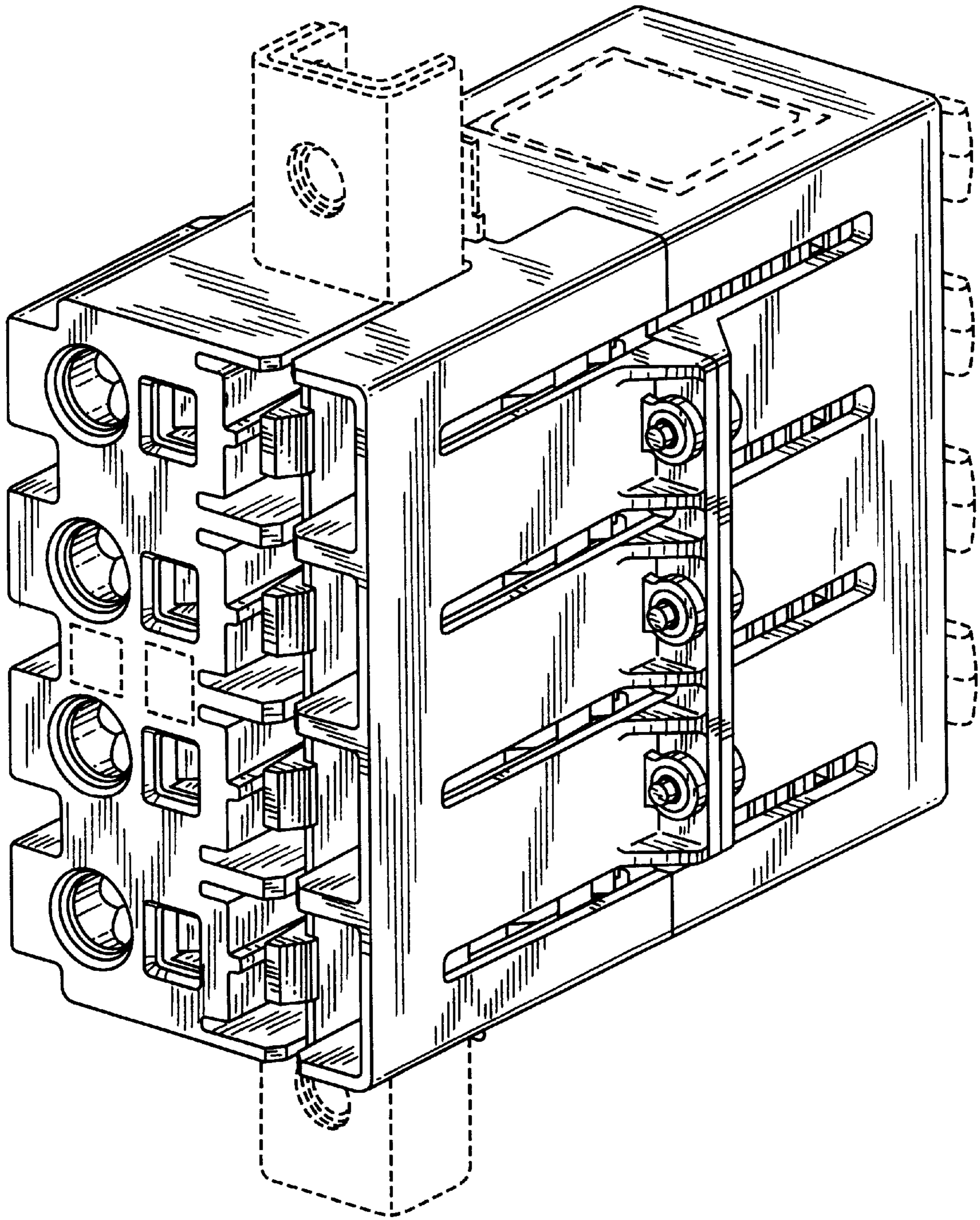


FIG. 2

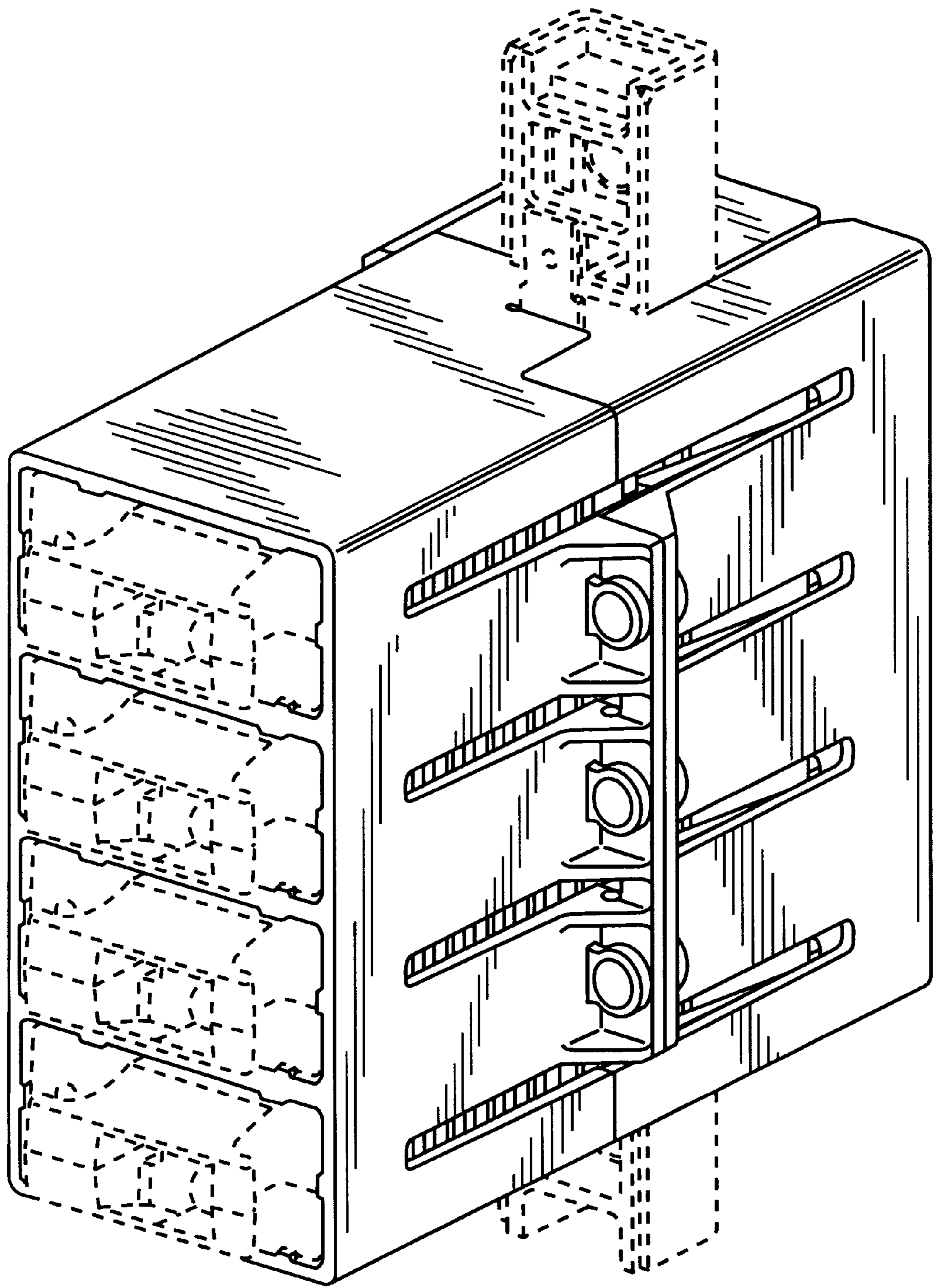


FIG. 3

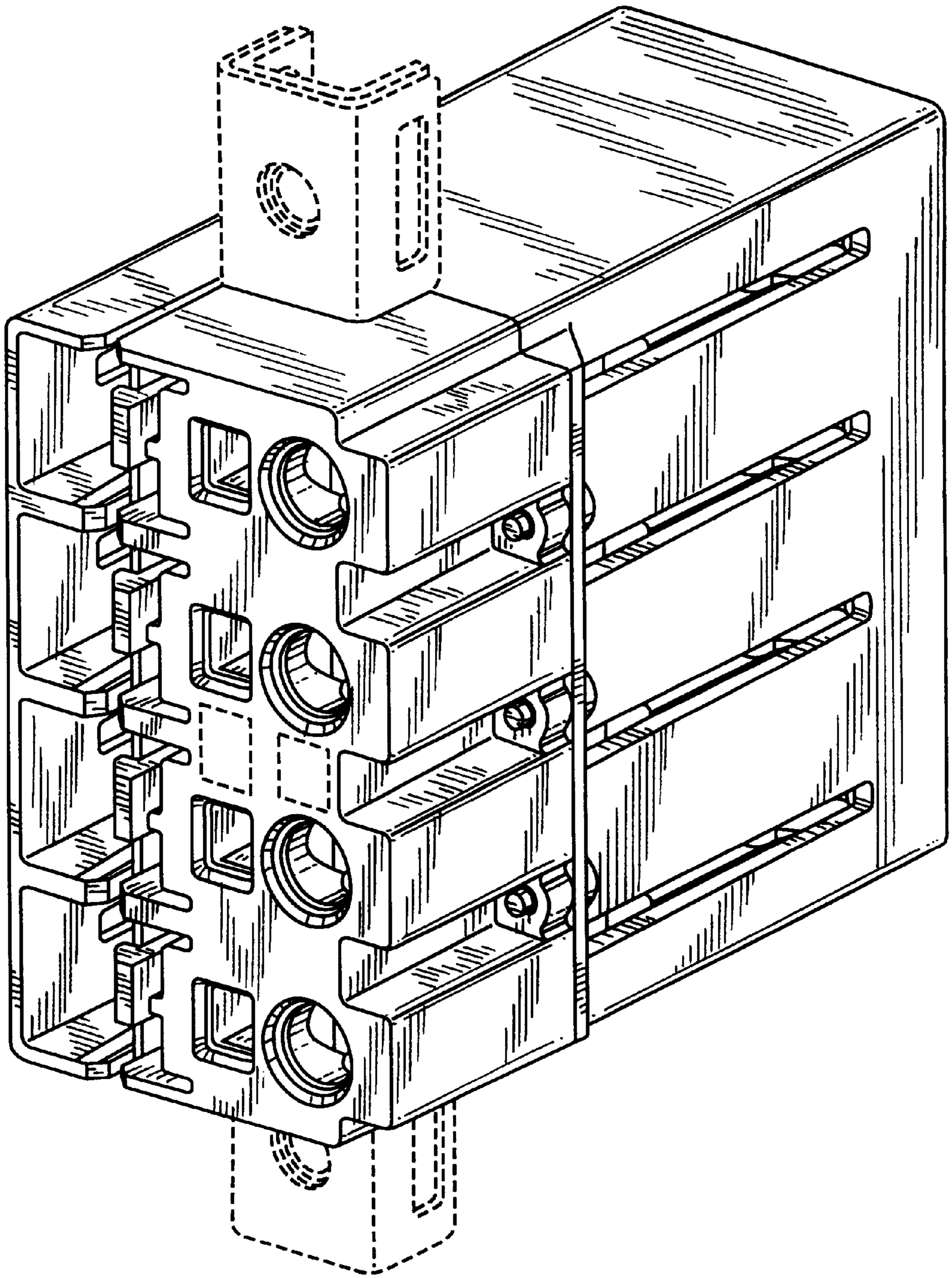


FIG. 4

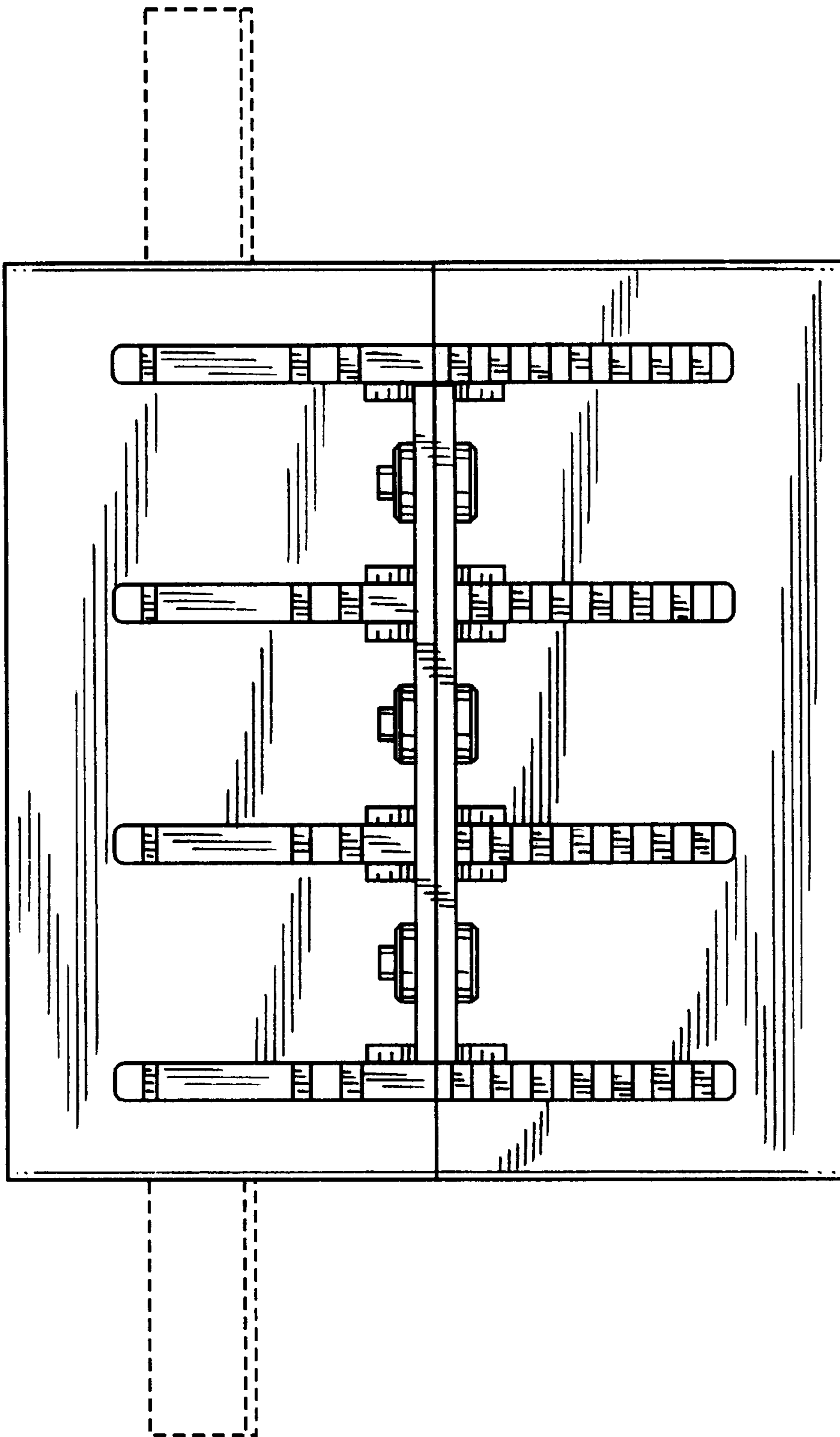


FIG. 5

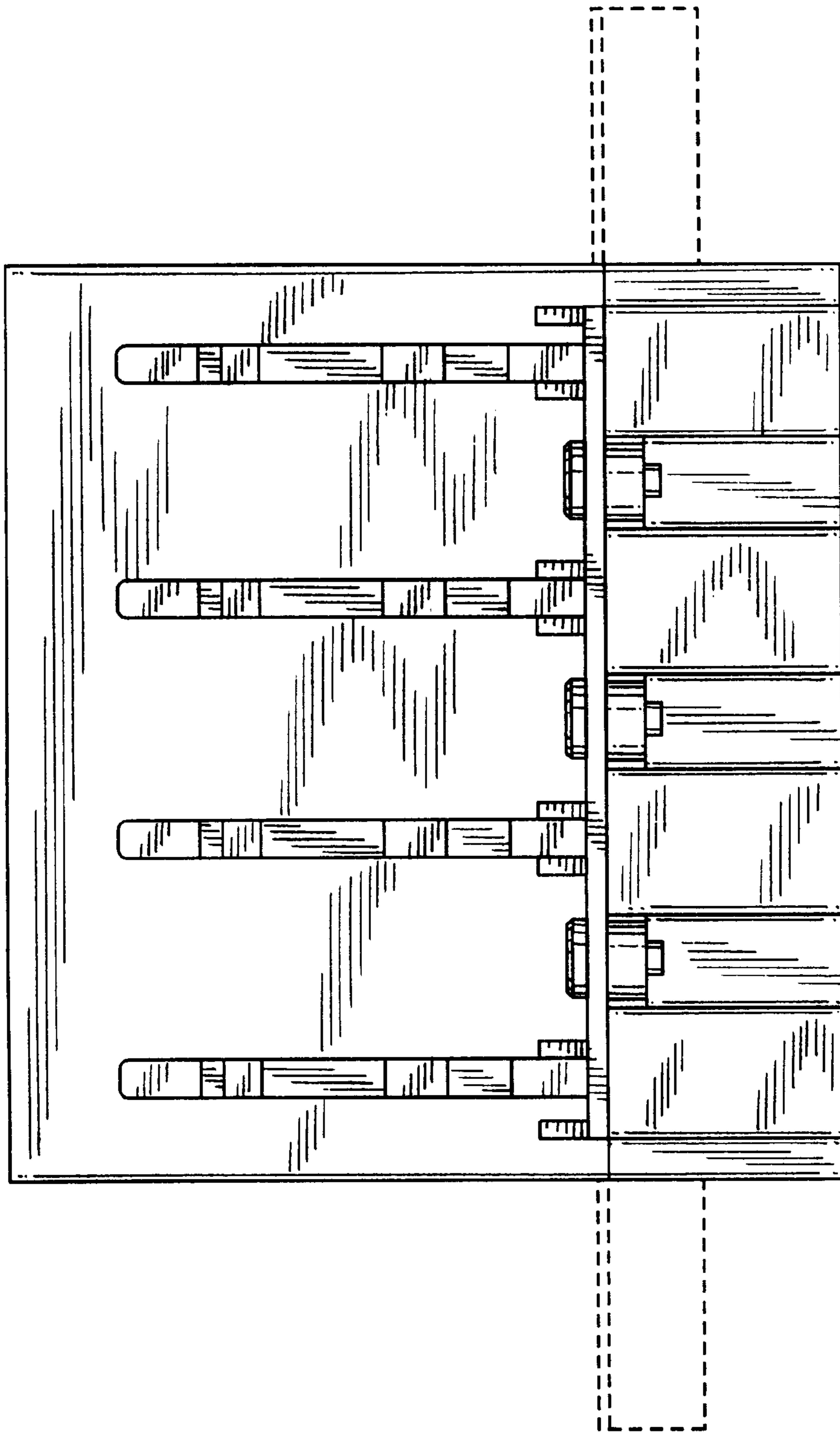


FIG. 6

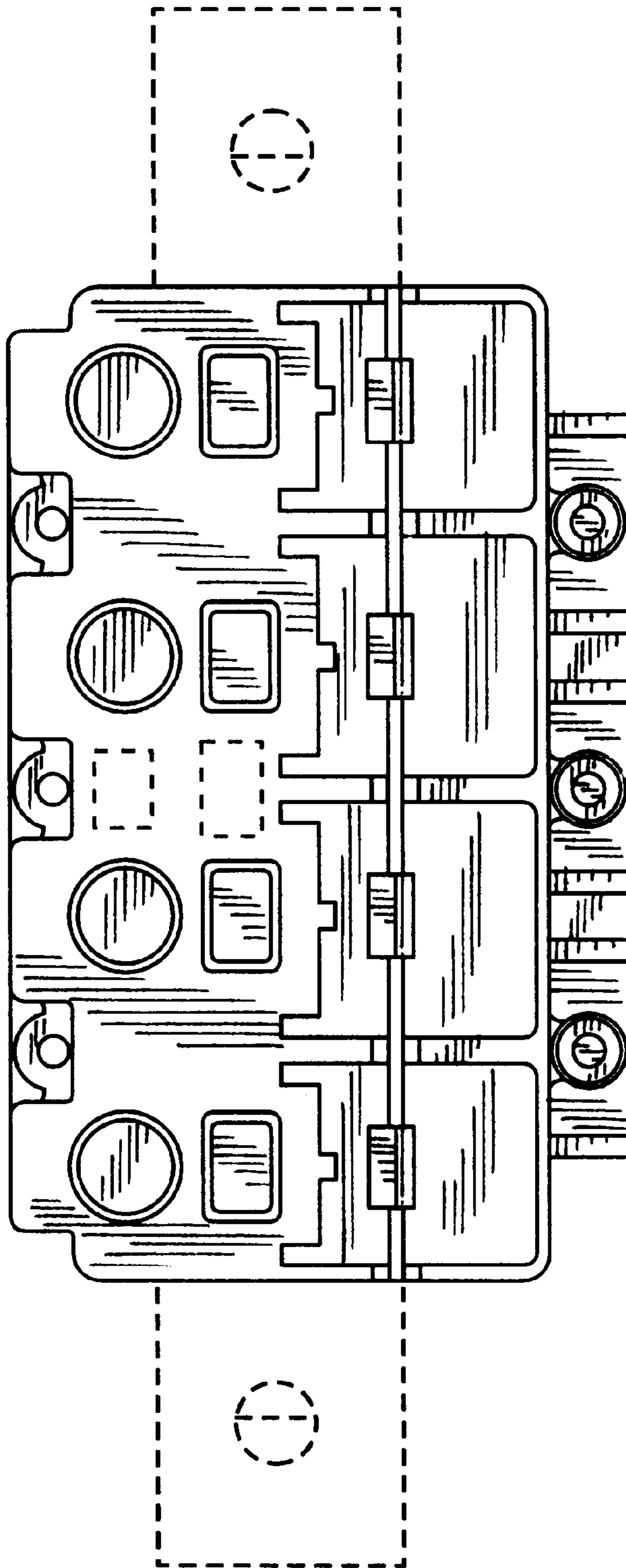


FIG. 7

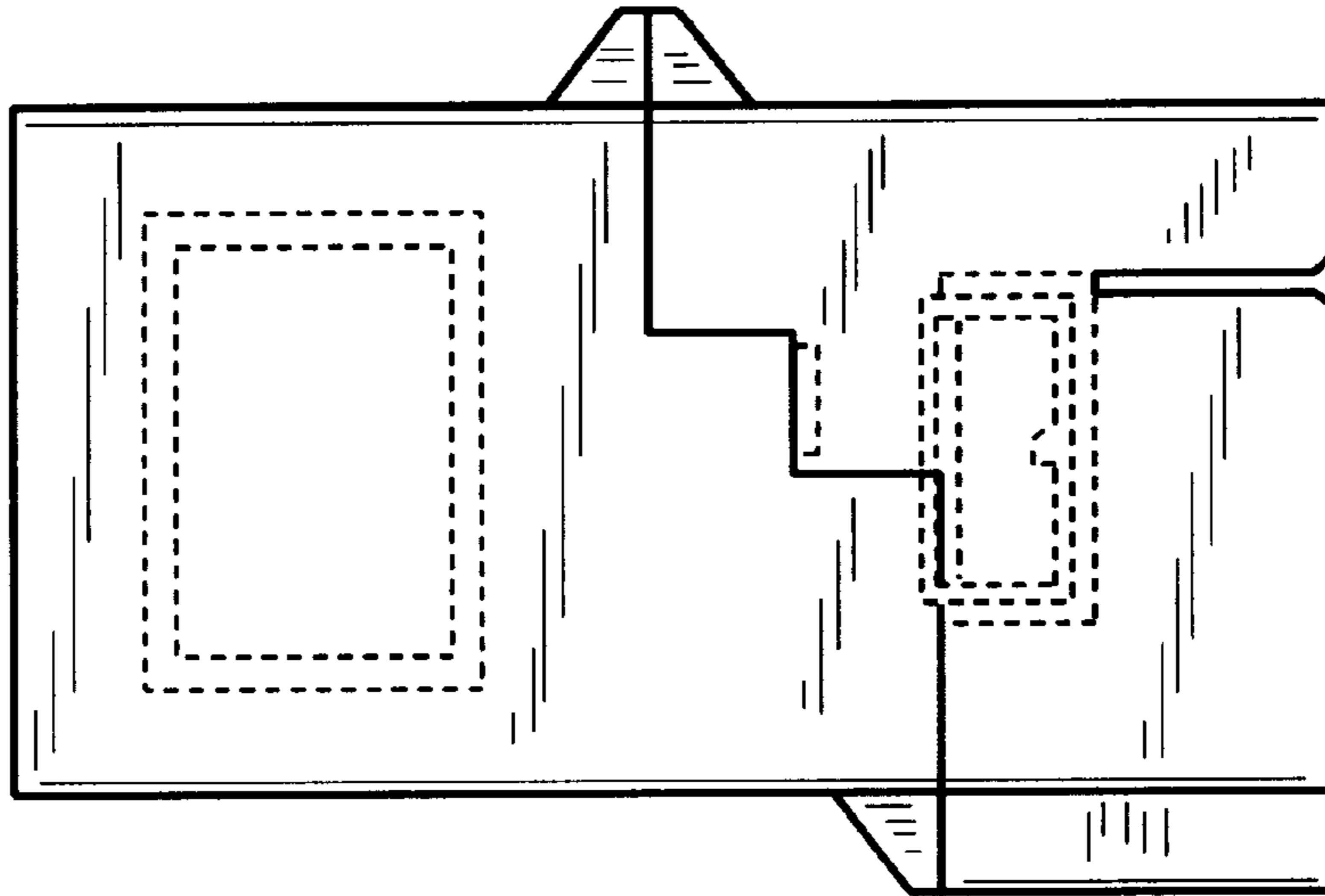


FIG. 8

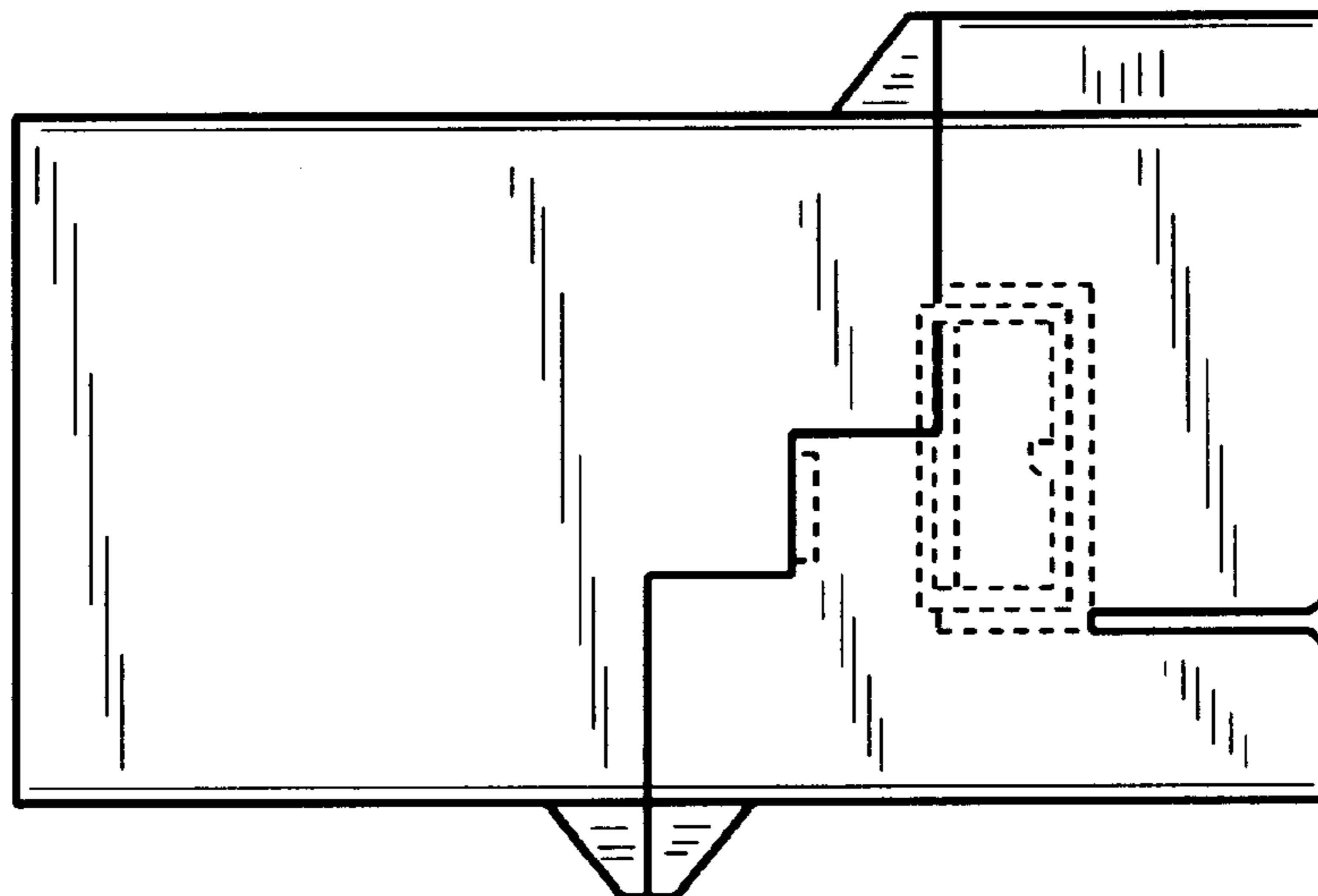


FIG. 9