



US00D425869S

United States Patent [19]

[11] Patent Number: Des. 425,869

Yokomizo et al.

[45] Date of Patent: ** May 30, 2000

[54] CONNECTOR HOUSING

[75] Inventors: Yoshio Yokomizo; Takayuki Kojima, both of Kanagawa-ken, Japan

[73] Assignee: Nippon Tanshi Co., Ltd., Kanagawa-ken, Japan

[**] Term: 14 Years

[21] Appl. No.: 29/110,723

[22] Filed: Sep. 10, 1999

[51] LOC (7) Cl. 13-03

[52] U.S. Cl. D13/147

[58] Field of Search D13/146, 147; 439/352, 354, 357, 374, 594, 598, 752, 680, 656, 711, 745

[56] References Cited

U.S. PATENT DOCUMENTS

D. 317,148	5/1991	Kozono et al.	D13/146
D. 318,649	7/1991	Nagasaka et al.	D13/147
D. 321,505	11/1991	Nagasaka et al.	D13/147
D. 323,148	1/1992	Sueyoshi et al.	D13/146
D. 323,150	1/1992	Takenouchi et al.	D13/146
D. 323,485	1/1992	Ohkura et al.	D13/147
D. 323,486	1/1992	Kasugai et al.	D13/147
D. 329,841	9/1992	Yamanashi	D13/147
D. 335,649	5/1993	Ogawa	D13/147
4,946,398	8/1990	Takenouchi et al.	439/599

Primary Examiner—Joel Sincavage
Attorney, Agent, or Firm—Marshall & Melhorn

[57] CLAIM

The ornamental design for a connector housing, as shown and described.

DESCRIPTION

FIG. 1 is a front perspective view of a connector housing showing our new design;
 FIG. 2 is a front view thereof;
 FIG. 3 is a back view thereof;
 FIG. 4 is a top plan view thereof;
 FIG. 5 is a bottom plan view thereof;
 FIG. 6 is a right side view thereof, the left side being a mirror image thereof;
 FIG. 7 is a cross sectional view thereof taken at section 7—7 in FIG. 2;
 FIG. 8 is a cross sectional view thereof taken at section 8—8 in FIG. 2; and,
 FIG. 9 is a back perspective view of the claimed connector housing equipped with a retainer and received in an associated connector housing to connect electric cords to terminals for connection with a print circuit board, the retainer, associated connector housing, electric cords and terminals being shown in broken lines for illustrative purposes only and forming no part of the claimed design.

1 Claim, 5 Drawing Sheets

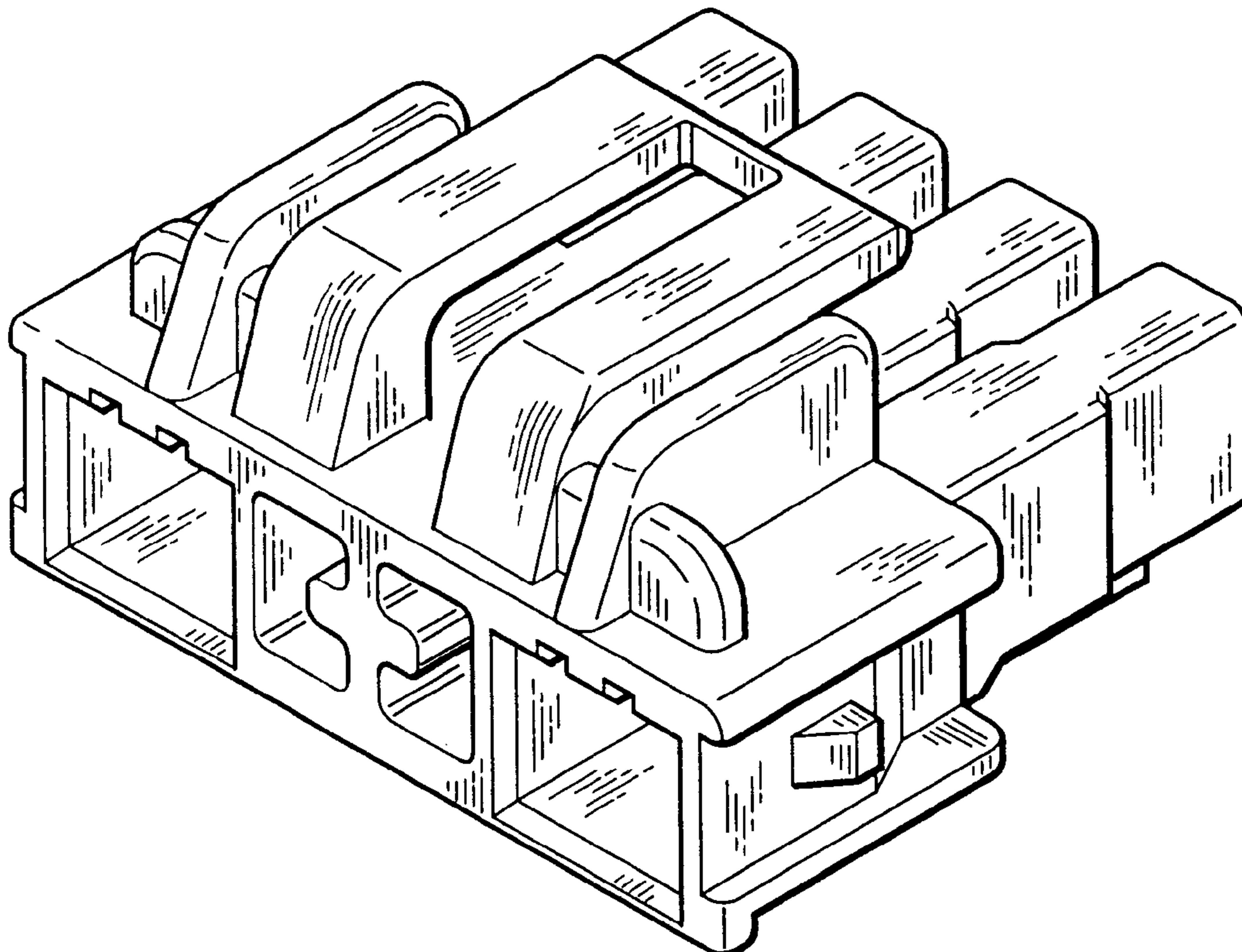


Fig. 1

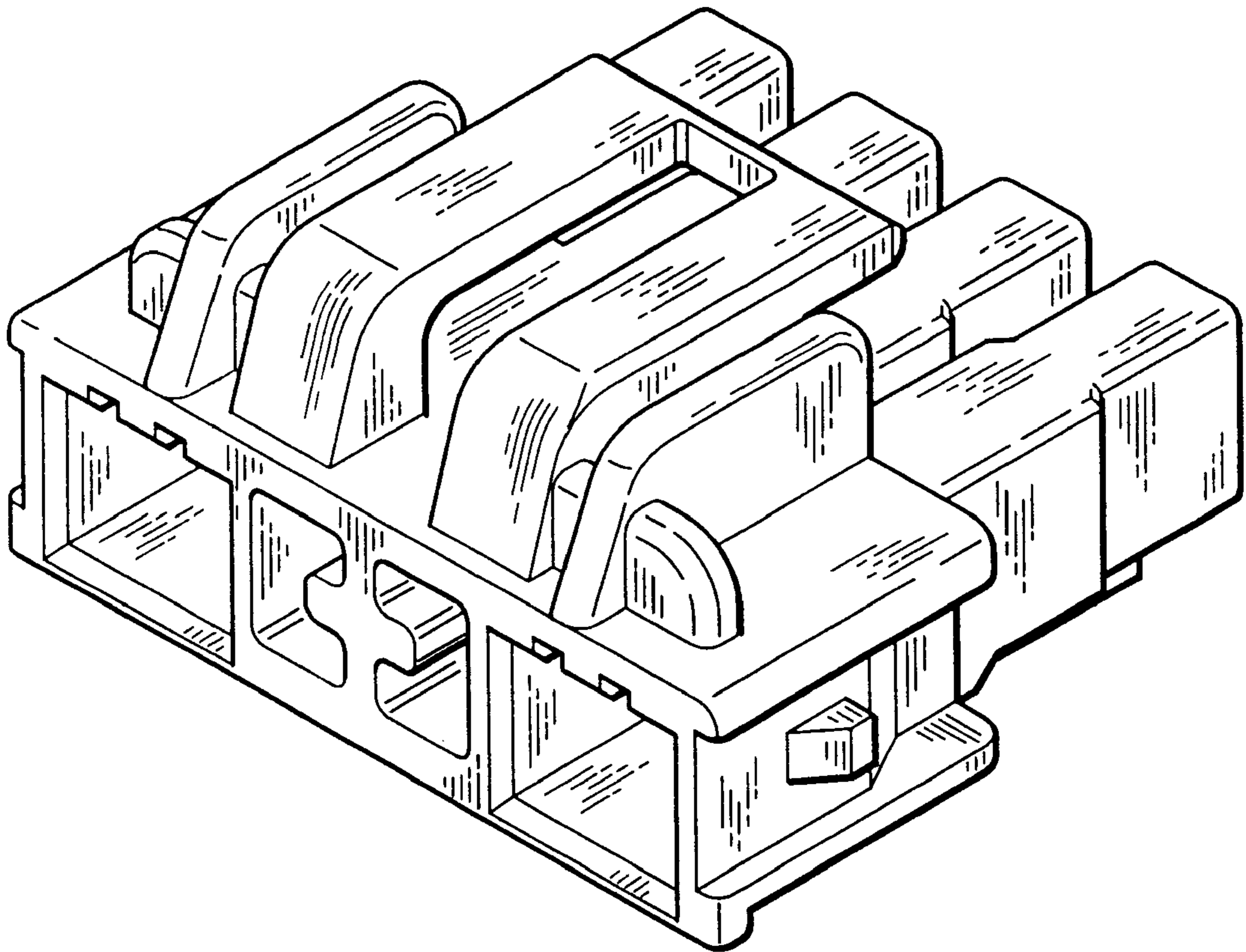


Fig. 2

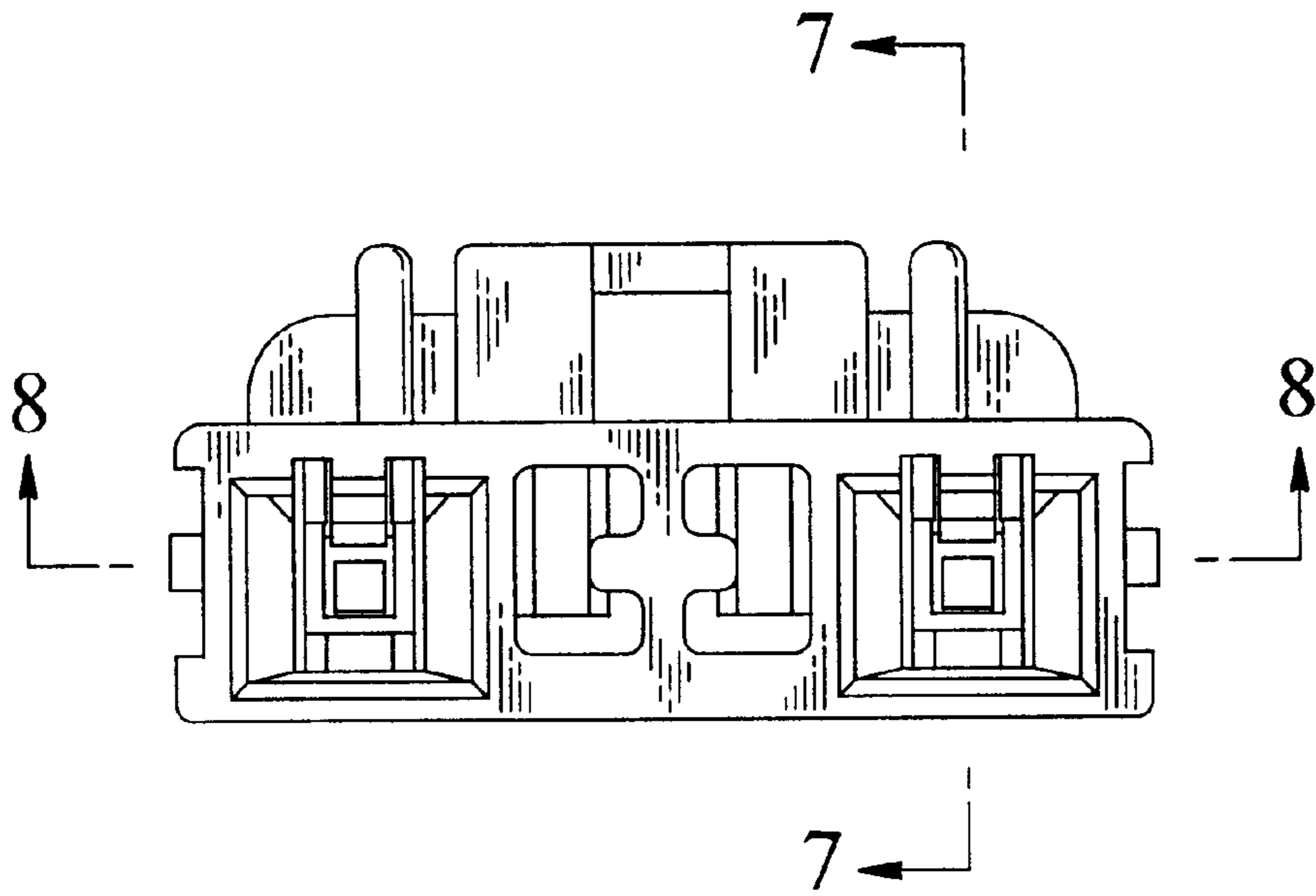


Fig. 3

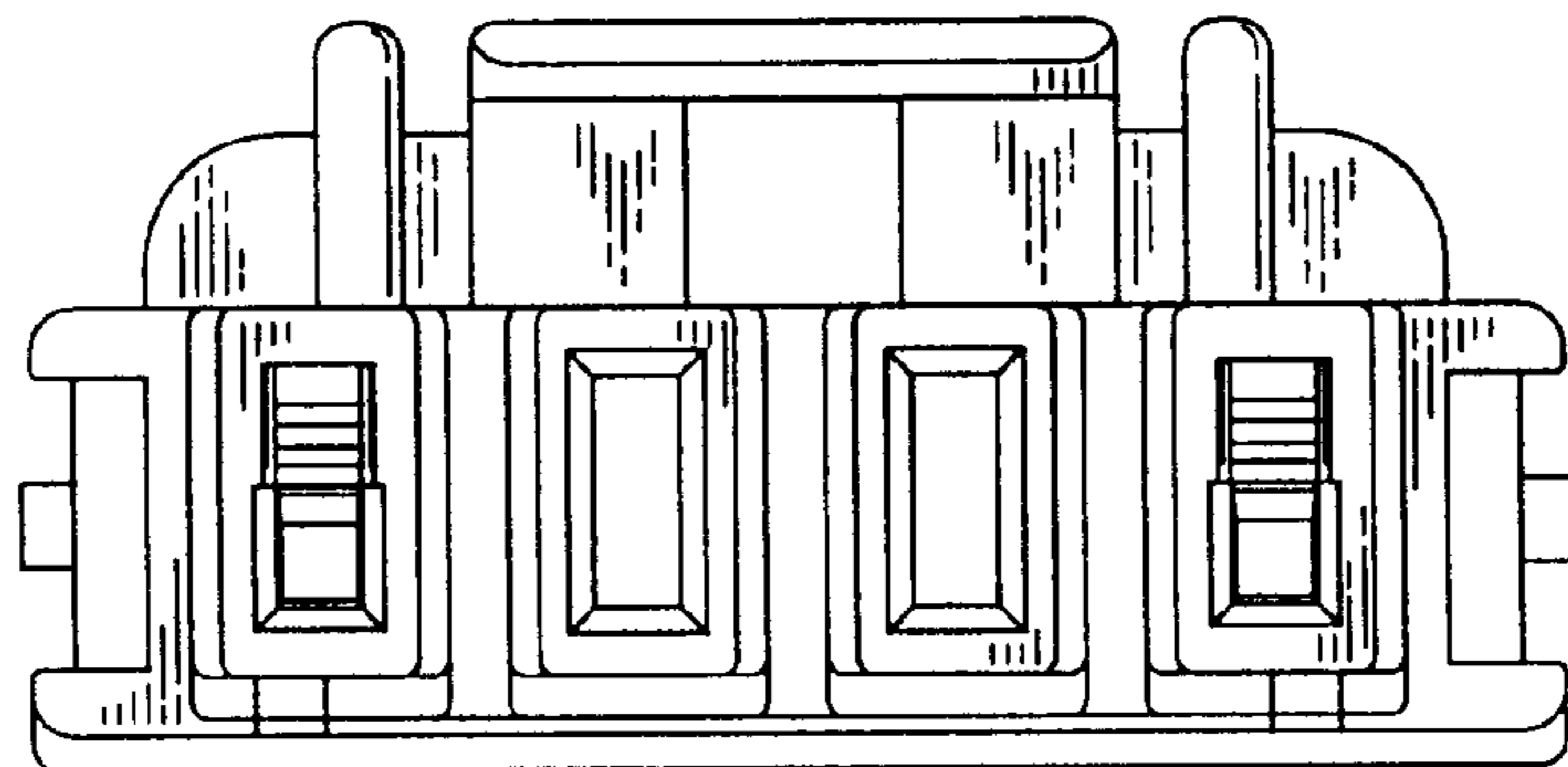


Fig. 4

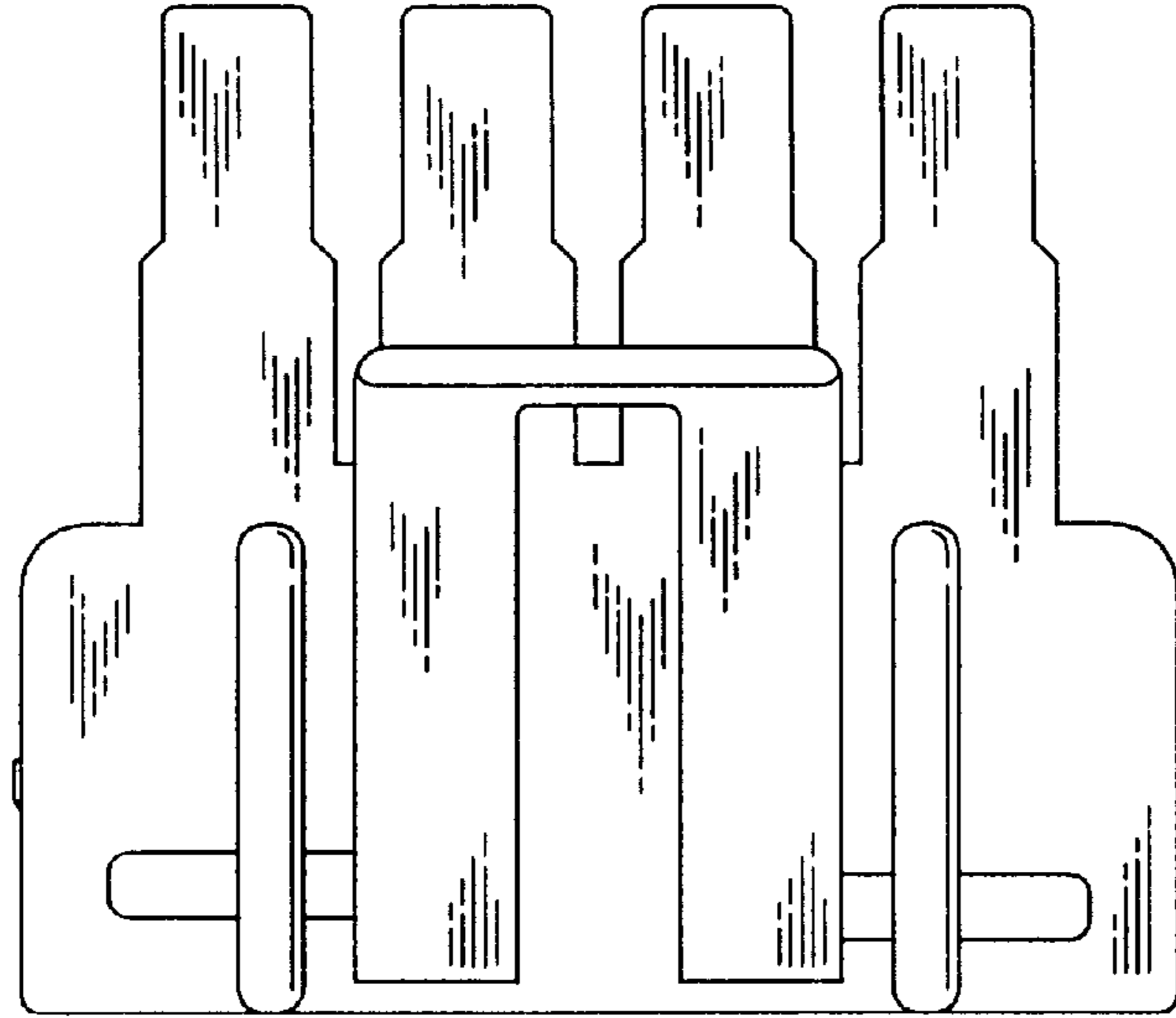


Fig. 5

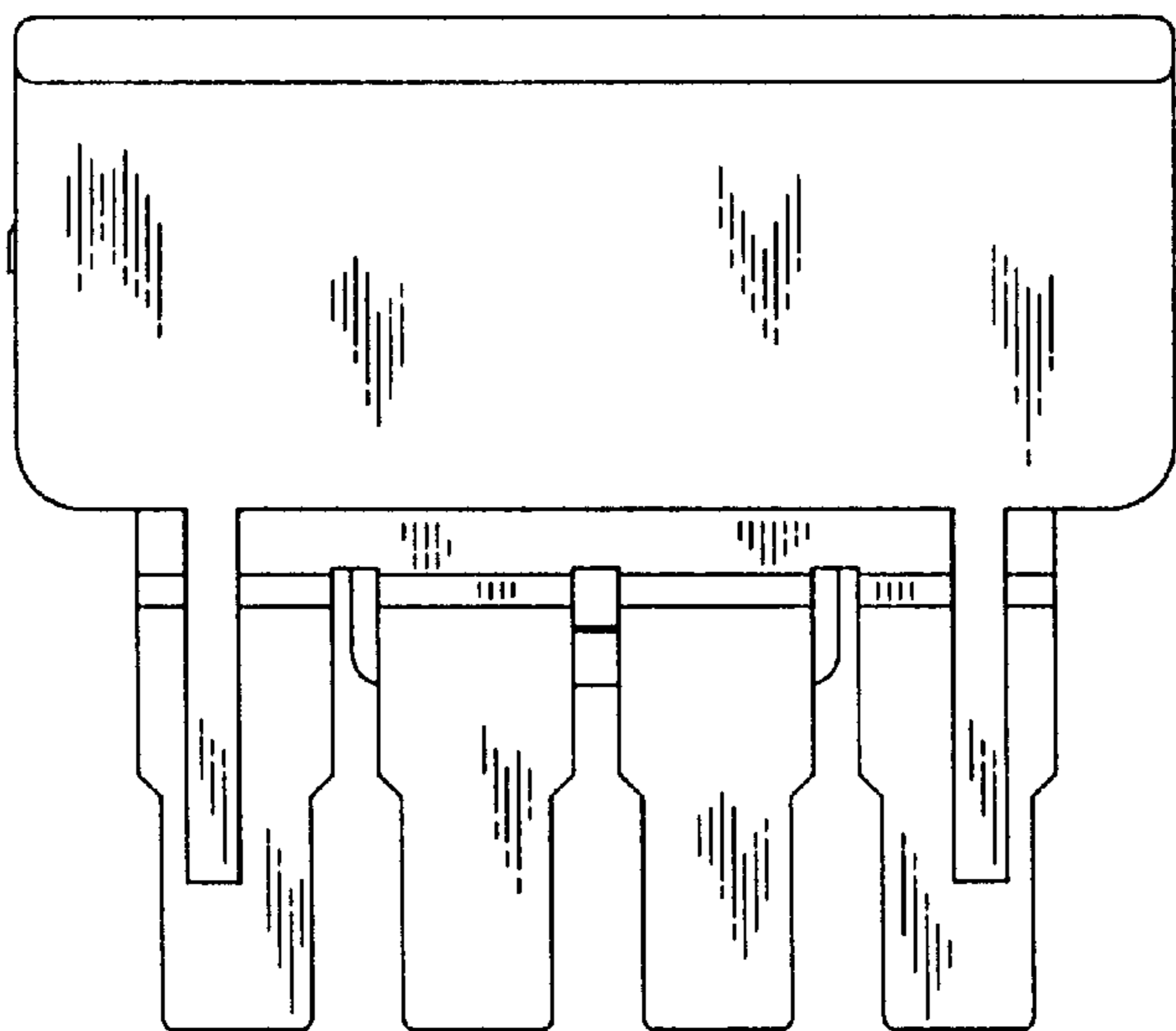


Fig. 6

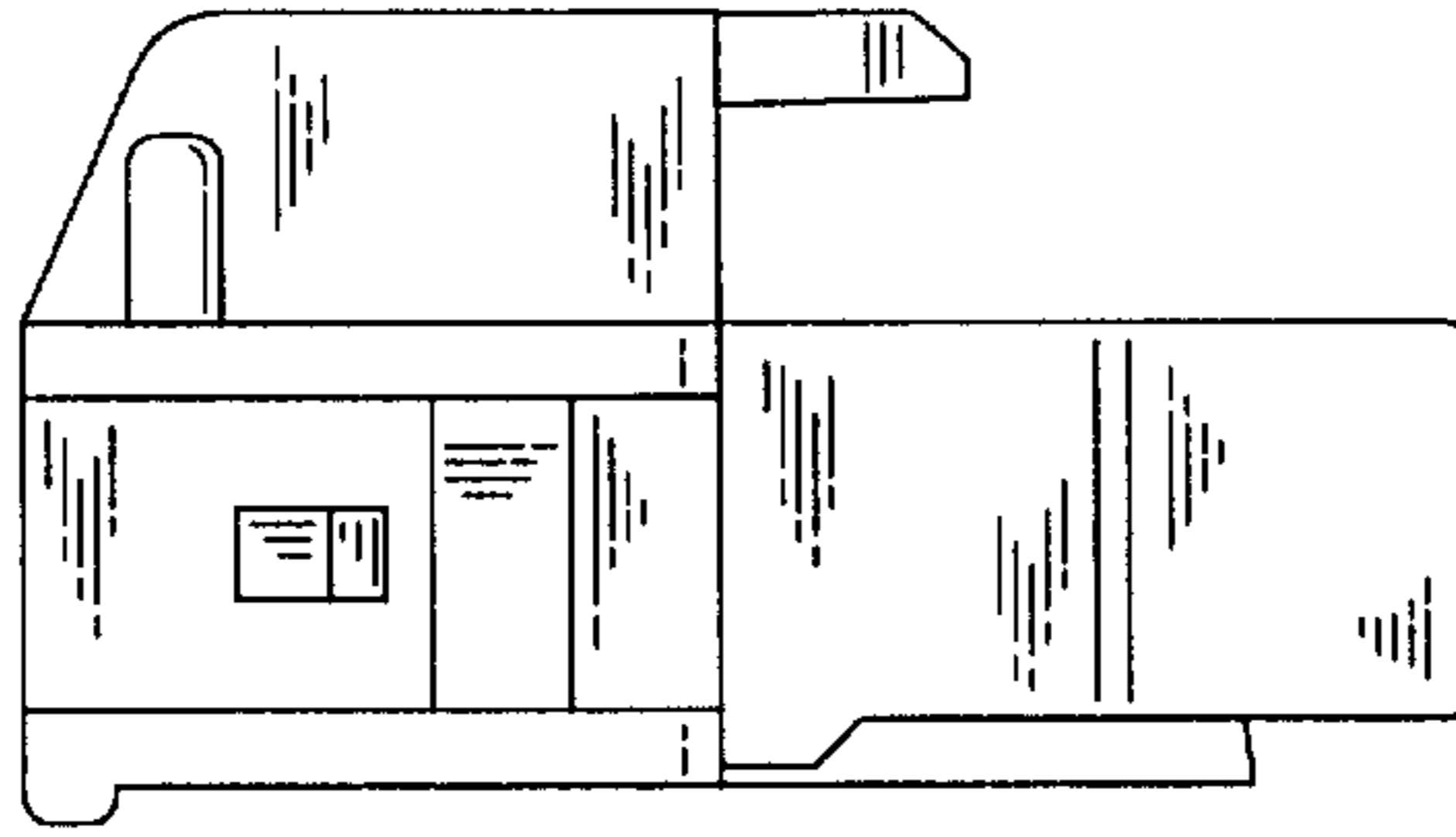


Fig. 7

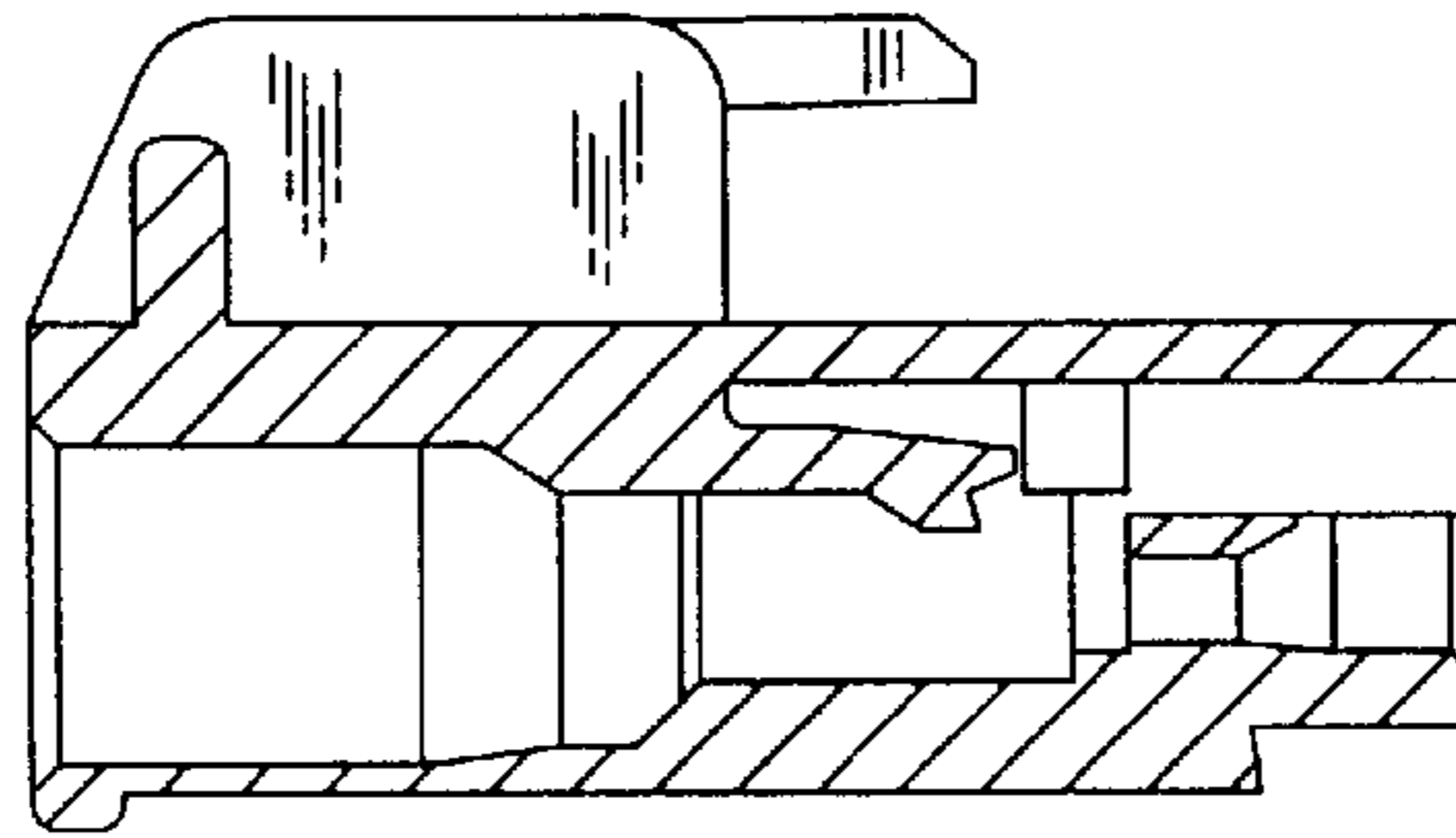


Fig. 8

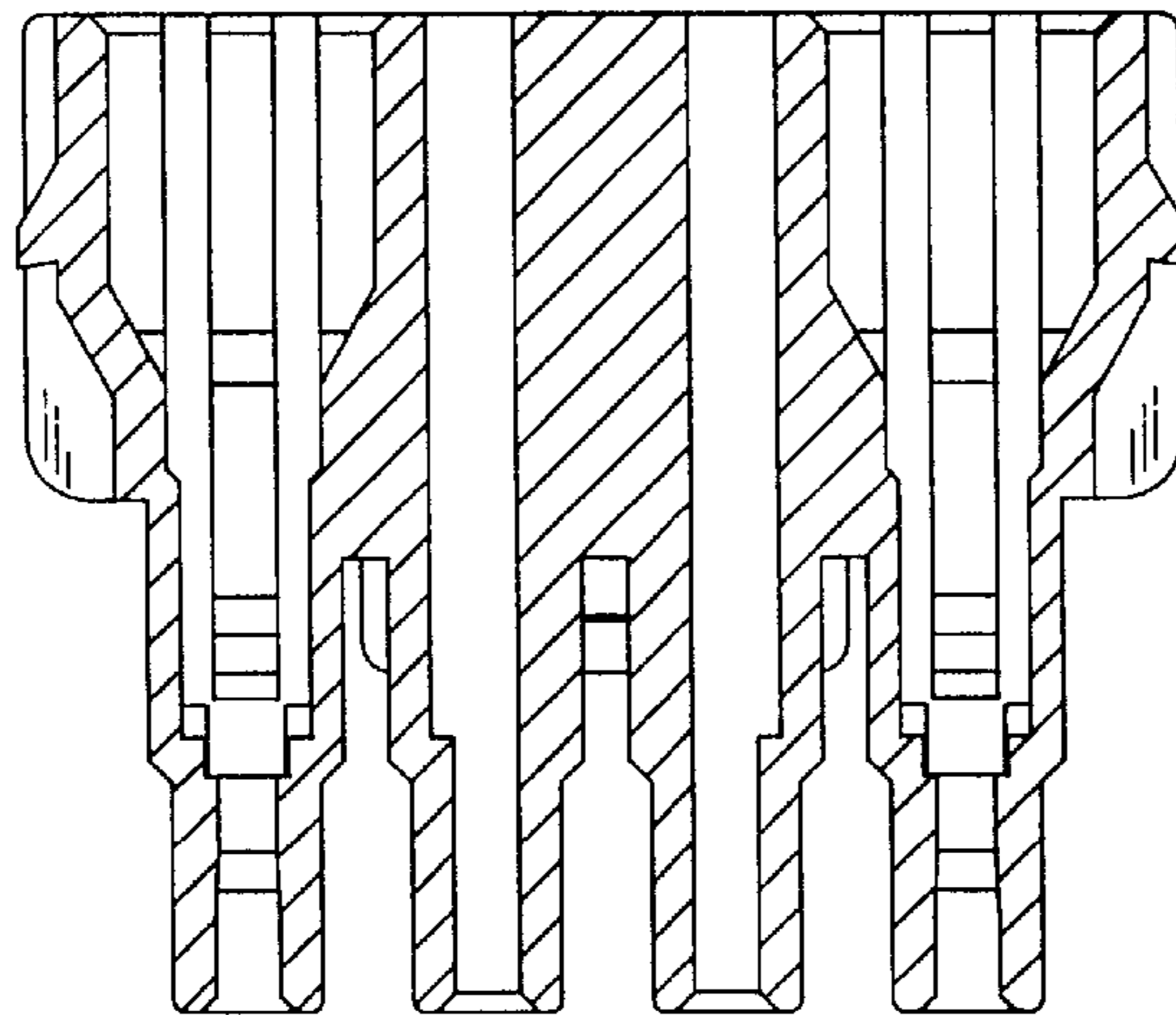


Fig. 9

