



US00D425868S

United States Patent [19]
Doorhy et al.

[11] **Patent Number: Des. 425,868**
[45] **Date of Patent: ** May 30, 2000**

[54] **MODULAR CONNECTOR**

[75] Inventors: **Michael Doorhy**, Tinley Park; **Andrew J. Stroede**, Mokena, both of Ill.

[73] Assignee: **Panduit Corp.**, Tinley Park, Ill.

[**] Term: **14 Years**

[21] Appl. No.: **29/109,317**

[22] Filed: **Aug. 12, 1999**

[51] **LOC (7) Cl.** **13-03**

[52] **U.S. Cl.** **D13/147**

[58] **Field of Search** D13/147; D14/256;
439/344, 676, 752, 686, 695, 701, 712,
724, 417

[56] **References Cited**

U.S. PATENT DOCUMENTS

D. 378,207	2/1997	Wu et al.	D13/147
4,975,078	12/1990	Stroede et al. .	
5,096,442	3/1992	Arnett et al.	439/676
5,118,310	6/1992	Stroede et al.	439/676
5,228,872	7/1993	Liu	439/676 X
5,312,273	5/1994	Andre et al. .	
5,403,200	4/1995	Chen .	
5,580,270	12/1996	Pantland et al. .	
5,586,914	12/1996	Foster, Jr. et al. .	
5,624,274	4/1997	Lin	439/417
5,655,934	8/1997	Gow et al. .	
5,697,815	12/1997	Drewnicki .	

5,697,817	12/1997	Bouchan et al. .	
5,700,167	12/1997	Pharney et al. .	
5,752,858	5/1998	Gow et al. .	
5,766,043	6/1998	Talend .	
5,791,943	8/1998	Lo et al.	439/676
5,921,818	7/1999	Larsen et al.	439/676
5,975,919	11/1999	Arnett et al.	439/676 X

FOREIGN PATENT DOCUMENTS

WO 97/44862 11/1997 WIPO .

Primary Examiner—Joel Sincavage
Attorney, Agent, or Firm—Robert A. McCann

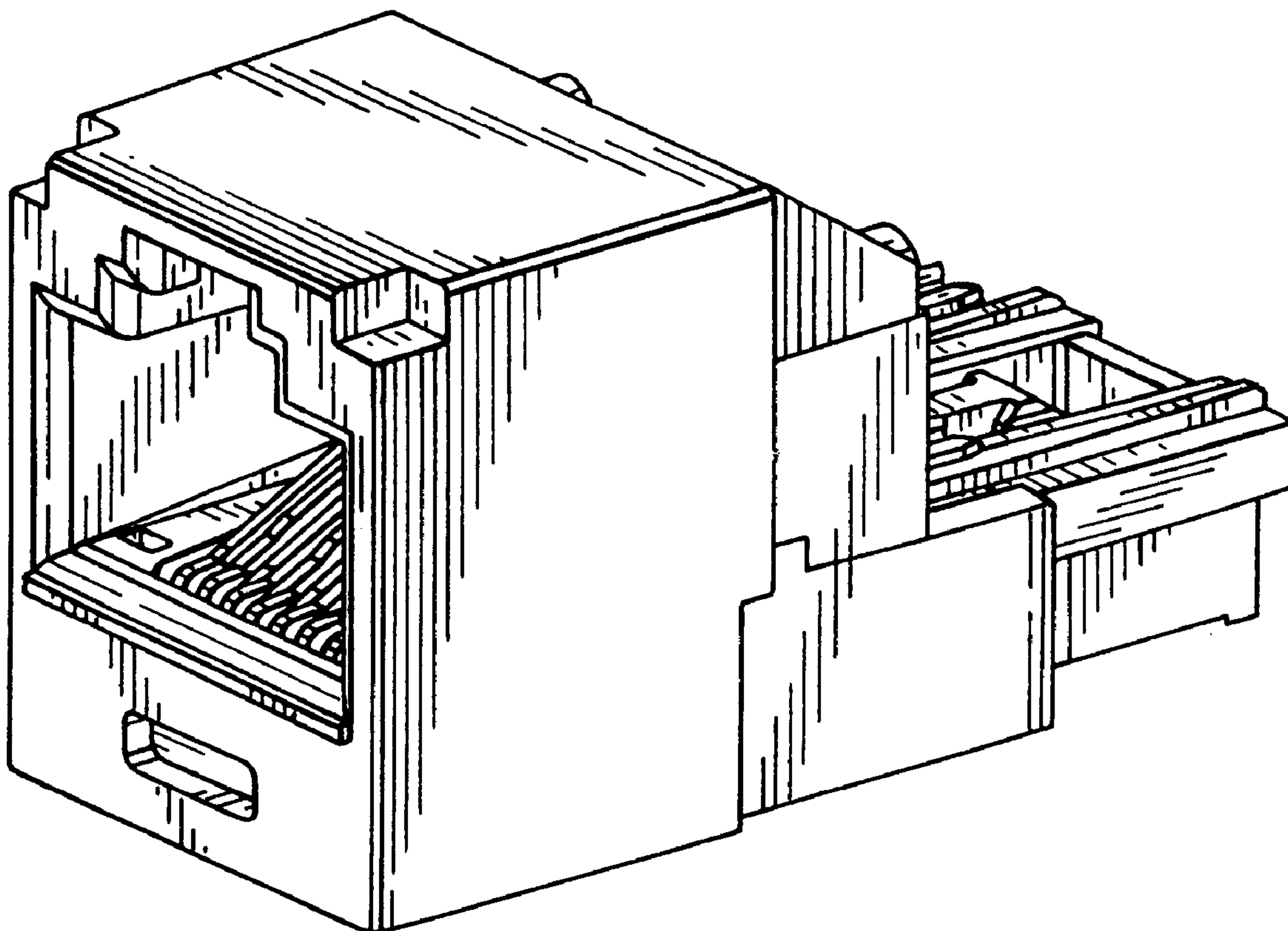
[57] **CLAIM**

The ornamental design for a modular connector, as shown and described.

DESCRIPTION

FIG. 1 is a front perspective view of a modular connector showing our new design;
FIG. 2 is a rear perspective view of a modular connector showing our new design;
FIG. 3 is a bottom and front perspective view of a modular connector showing our new design;
FIG. 4 is a front elevational view thereof;
FIG. 5 is a rear elevational view thereof;
FIG. 6 is a side elevational view thereof;
FIG. 7 is the opposite side elevational view thereof;
FIG. 8 is a top plan view thereof; and,
FIG. 9 is a bottom plan view thereof.

1 Claim, 3 Drawing Sheets



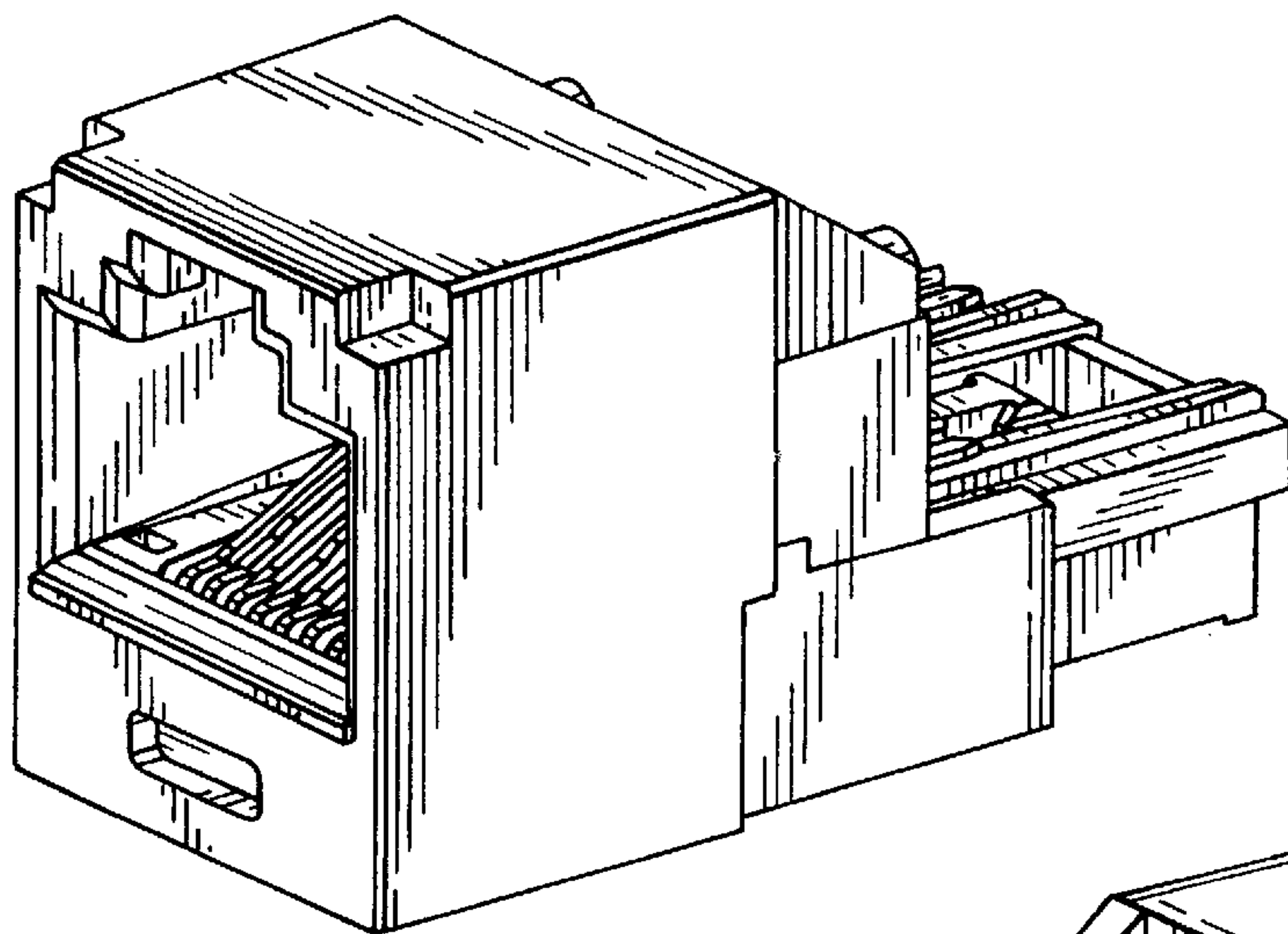


FIG. 1

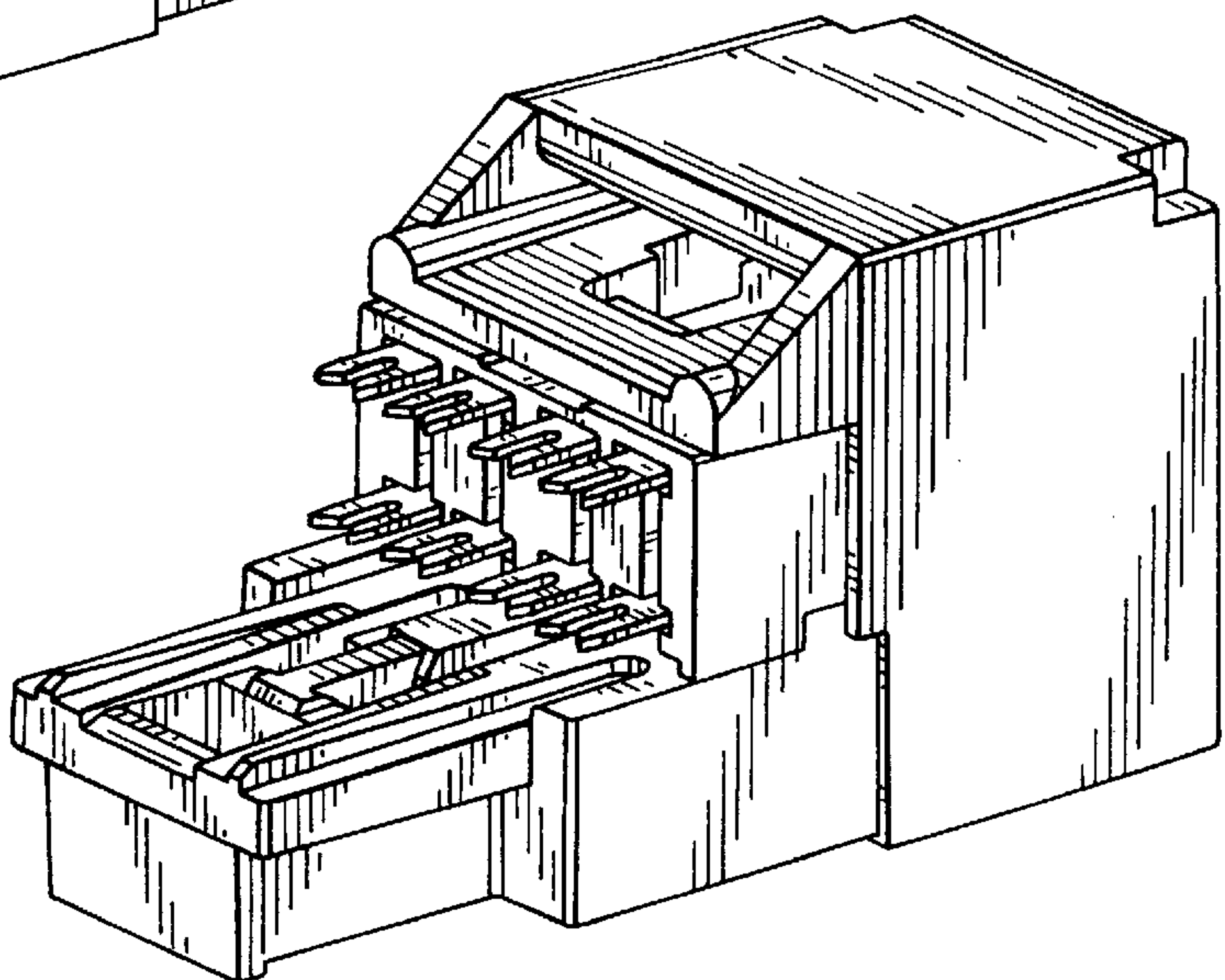


FIG. 2

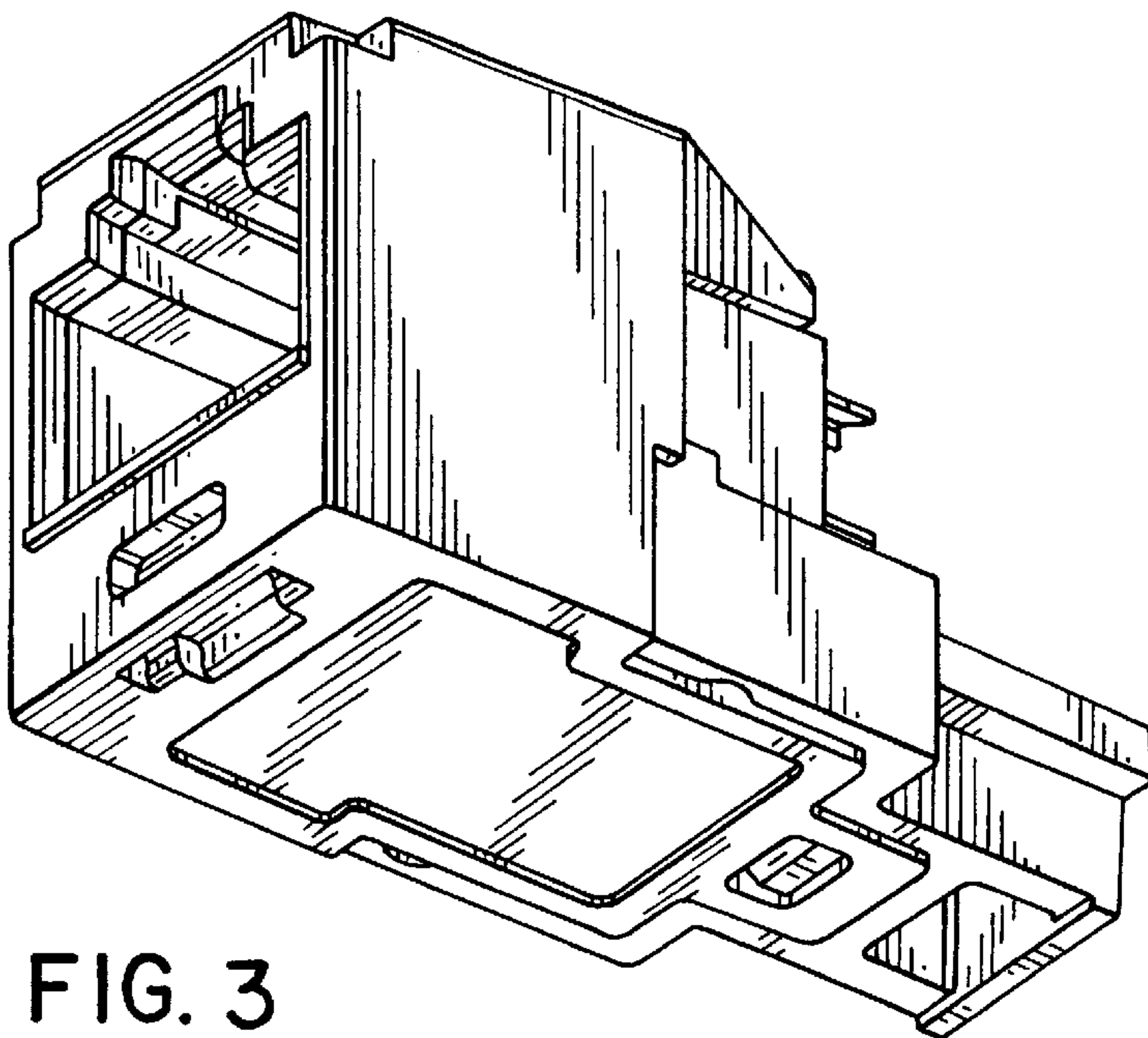


FIG. 3

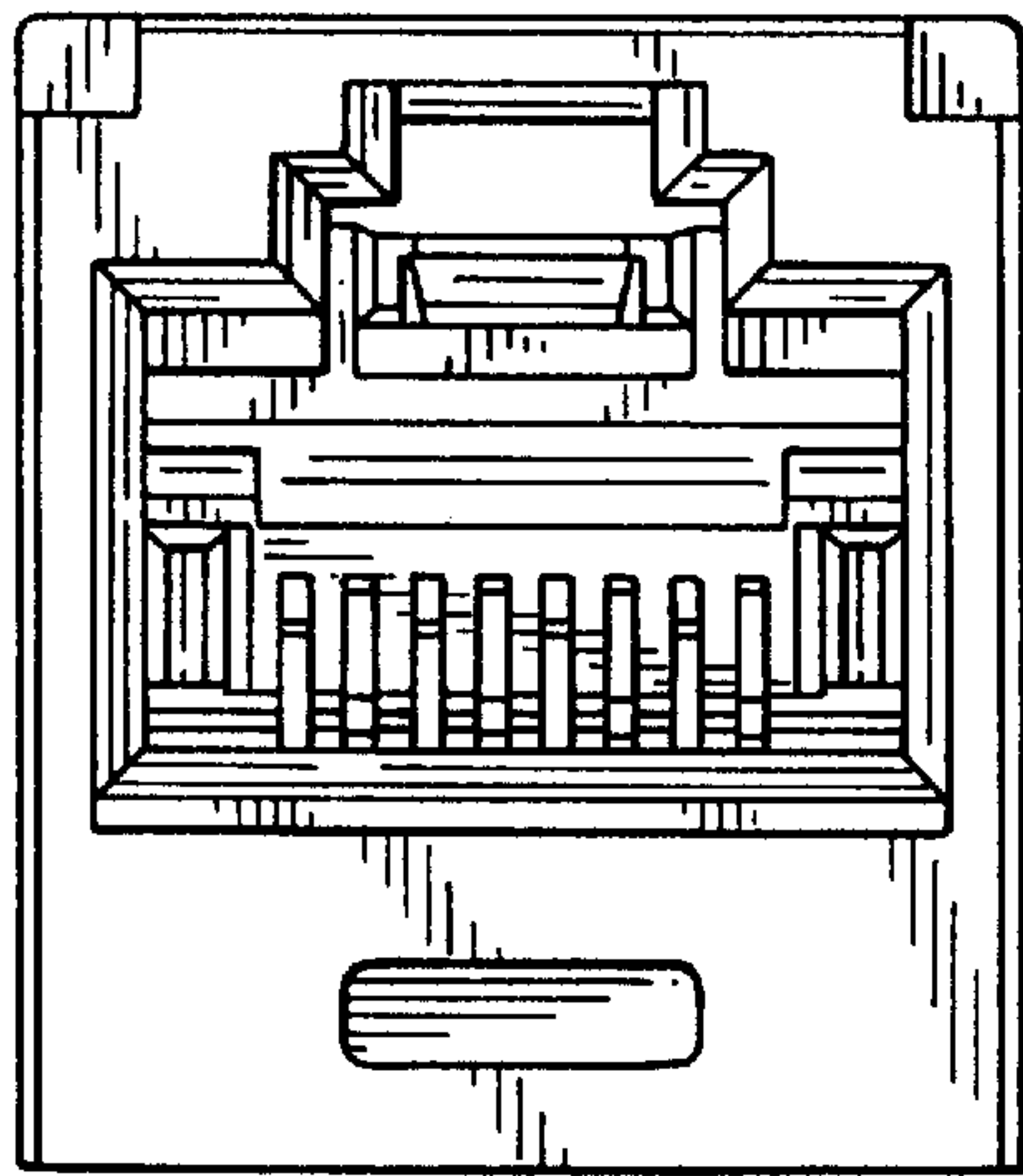


FIG. 4

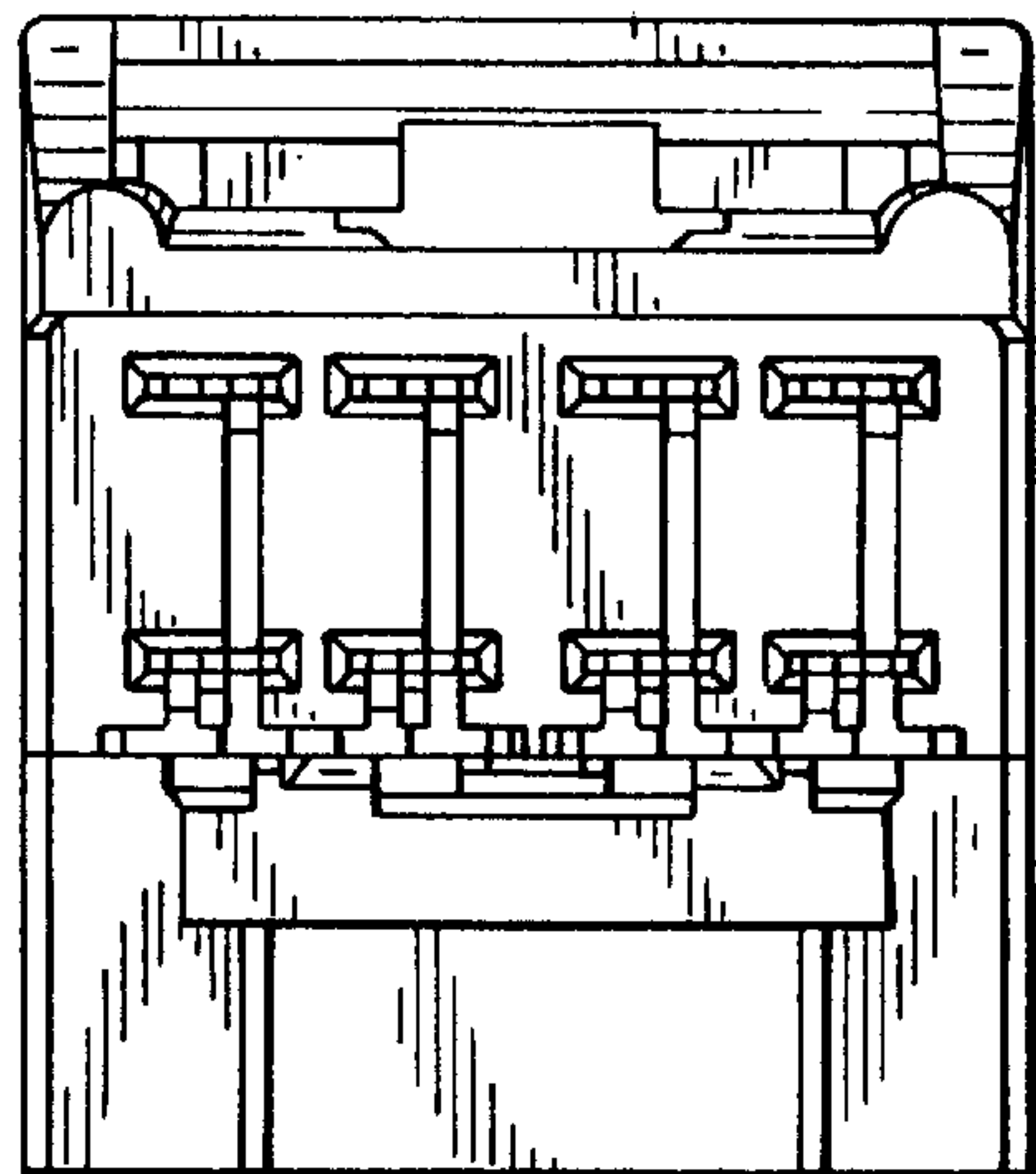


FIG. 5

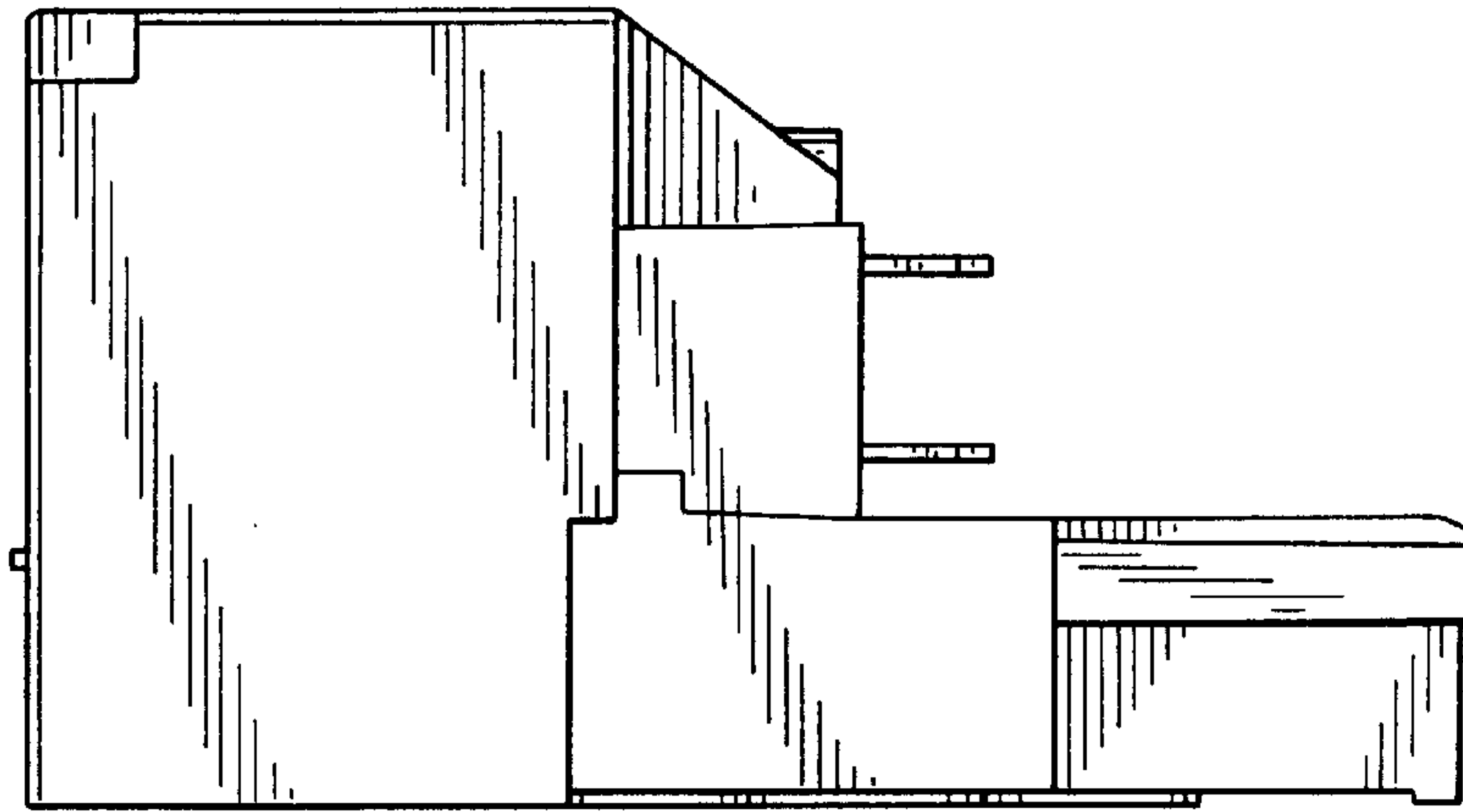


FIG. 6

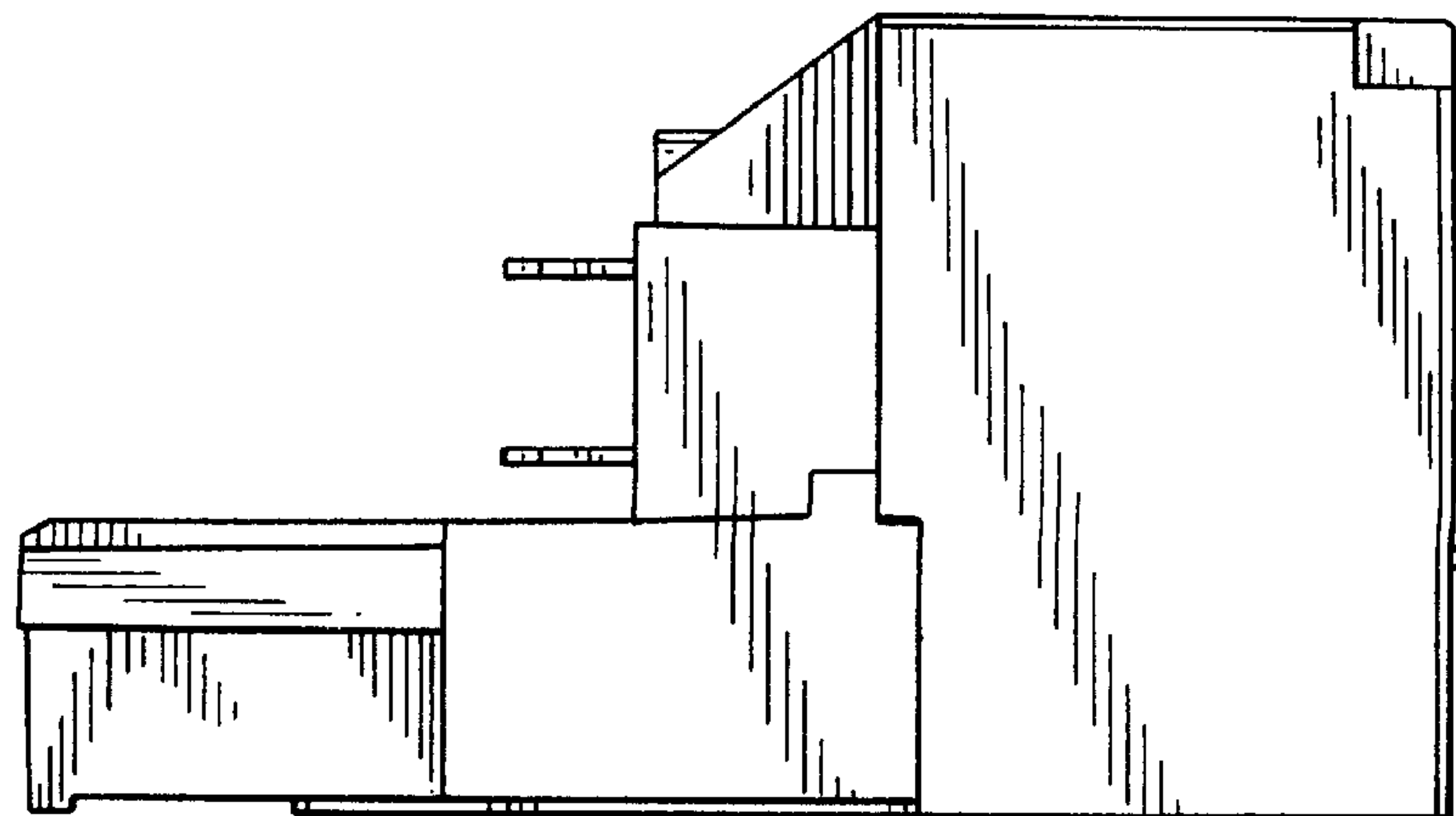


FIG. 7

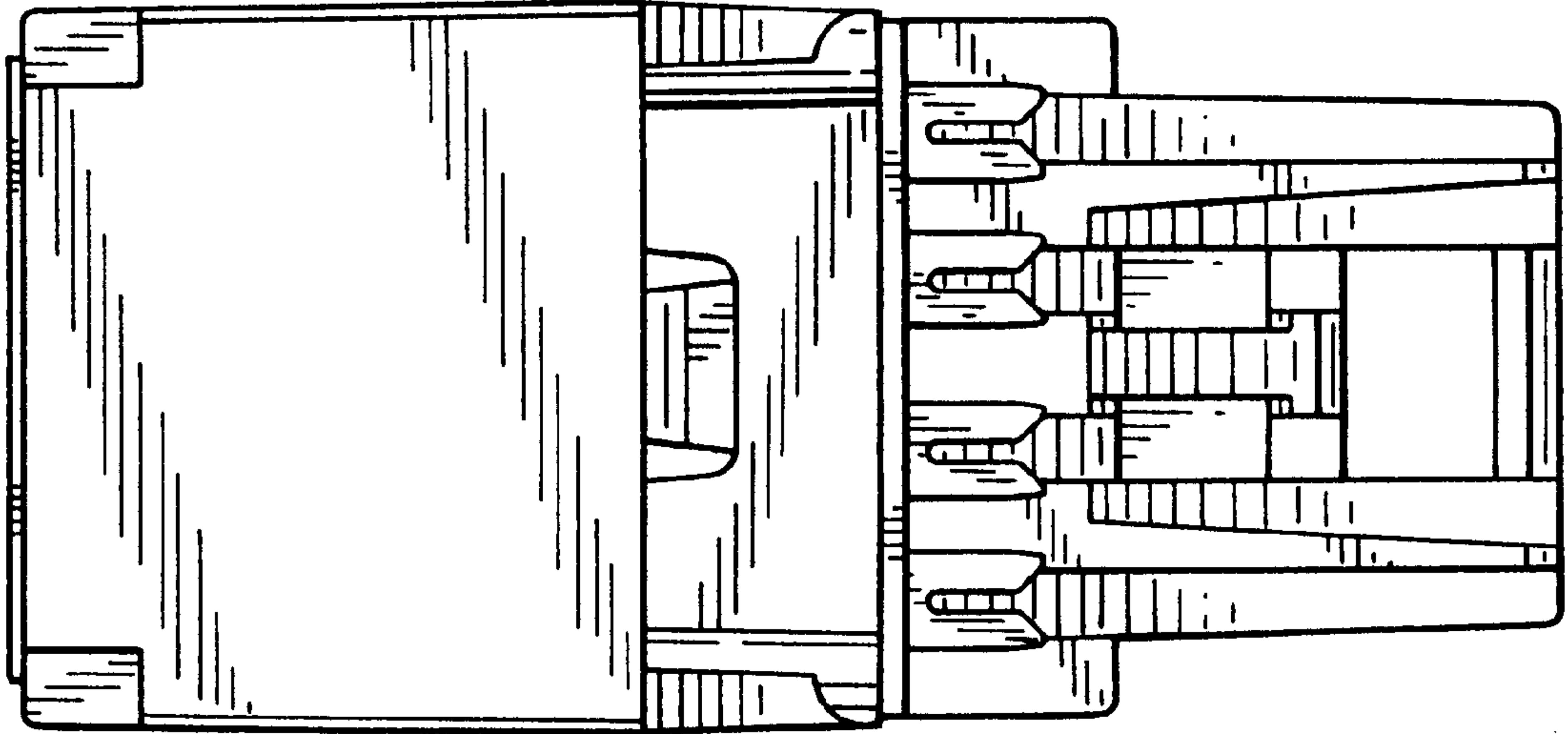


FIG. 8

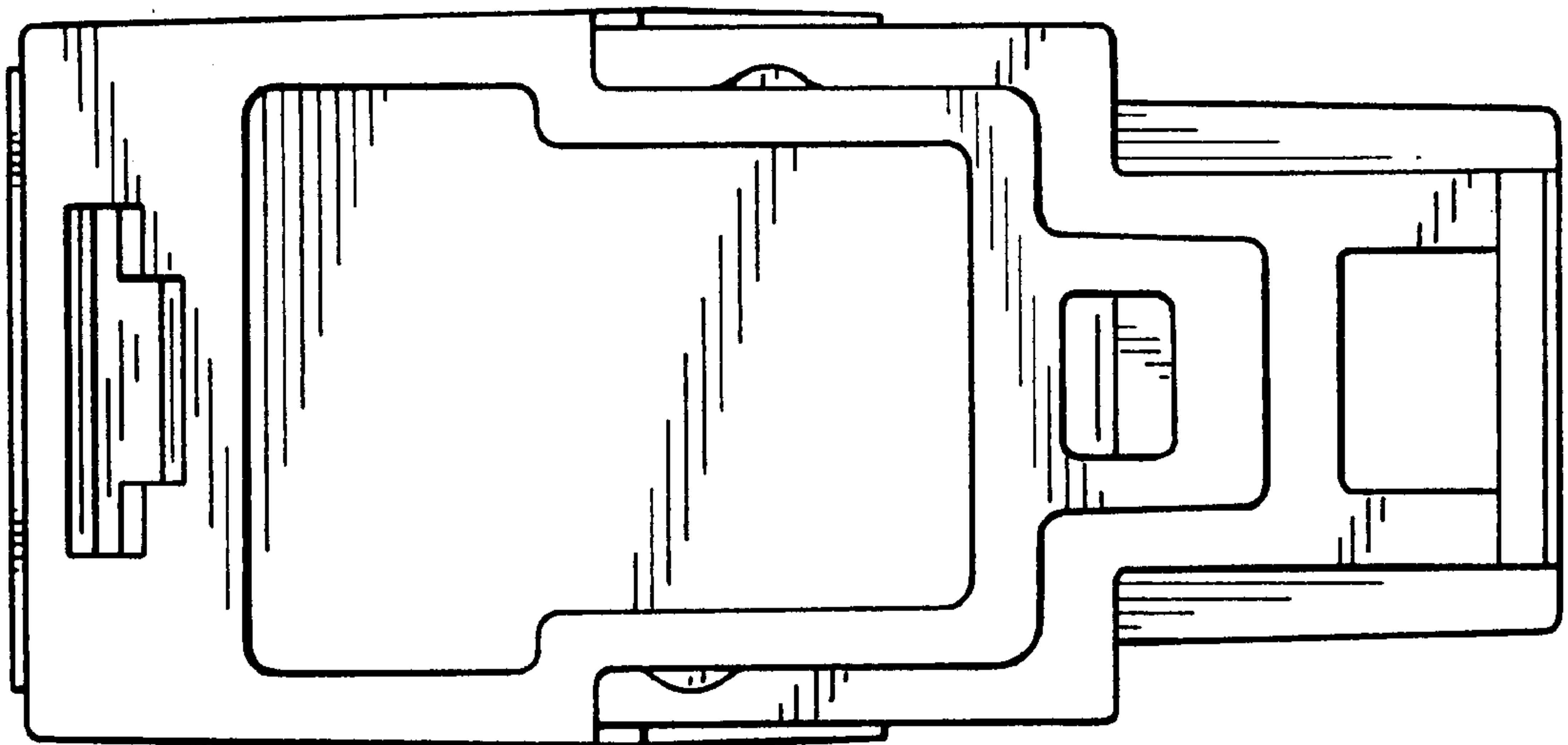


FIG. 9

UNITED STATES PATENT AND TRADEMARK OFFICE
CERTIFICATE OF CORRECTION

PATENT NO. : Des. 425,868
DATED : May 30, 2000
INVENTOR(S) : Doorhy et al.

Page 1 of 1

It is certified that error appears in the above-identified patent and that said Letters Patent is hereby corrected as shown below:

Title page,

Item [75], Inventor, insert -- **Russell A. Vanderhoof**, Minooka, IL (US) --

DESCRIPTION,

FIG. 1, after "connector" -- housing -- should be inserted.

FIG. 2, after "connector" -- housing -- should be inserted.

Signed and Sealed this

Twenty-fifth Day of February, 2003

A handwritten signature in black ink, appearing to read "James E. Rogan", written over a horizontal line.

JAMES E. ROGAN

Director of the United States Patent and Trademark Office