



US00D425863S

# United States Patent [19]

Yu

[11] **Patent Number: Des. 425,863**

[45] **Date of Patent: \*\* May 30, 2000**

[54] **COMBINED RECEPTACLE ADAPTER AND LIGHT**

[76] Inventor: **Jeff Yu**, 2491 Ramke Pl., Santa Clara, Calif. 95050

[\*\*] Term: **14 Years**

[21] Appl. No.: **29/107,930**

[22] Filed: **Jul. 19, 1999**

[51] **LOC (7) Cl.** ..... **13-03**

[52] **U.S. Cl.** ..... **D13/139.6; D21/51**

[58] **Field of Search** ..... D13/139.1-139.8, D13/137.1-137.4; D26/51; 362/226, 806; 361/111, 118, 119, 56; 439/650, 651, 652, 653, 638, 554

[56] **References Cited**

**U.S. PATENT DOCUMENTS**

- D. 400,504 11/1998 Stekelenburg ..... D13/136.6
- D. 400,505 11/1998 Yu ..... D13/139.6
- D. 402,963 12/1998 Parshad ..... D13/139.6

3,353,137 11/1967 Miller ..... D13/139.7

*Primary Examiner*—Susan J. Lucas  
*Assistant Examiner*—Jennifer Rivard  
*Attorney, Agent, or Firm*—R J Services

[57] **CLAIM**

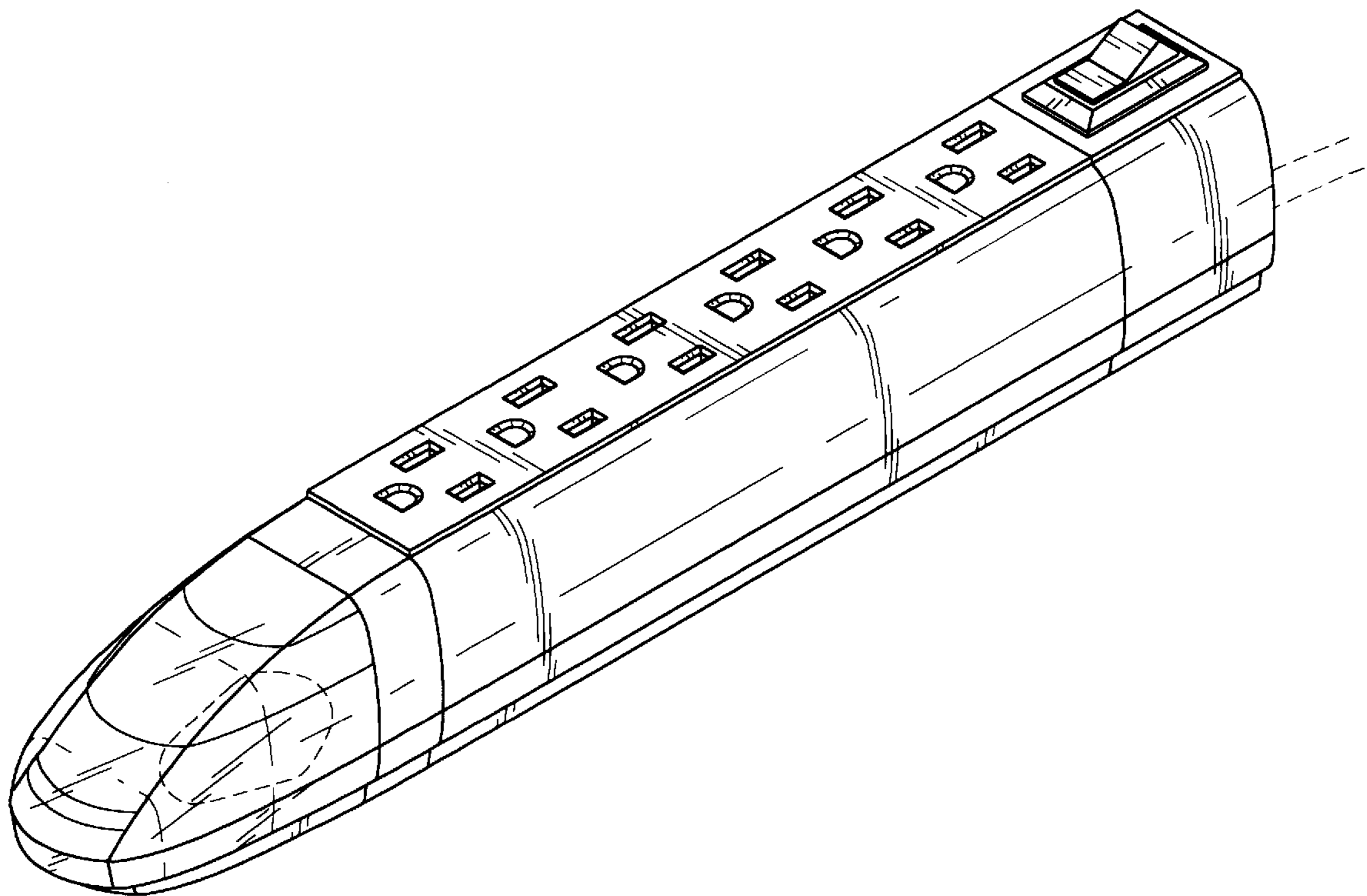
The ornamental design for a combined receptacle adapter and light, as shown and described.

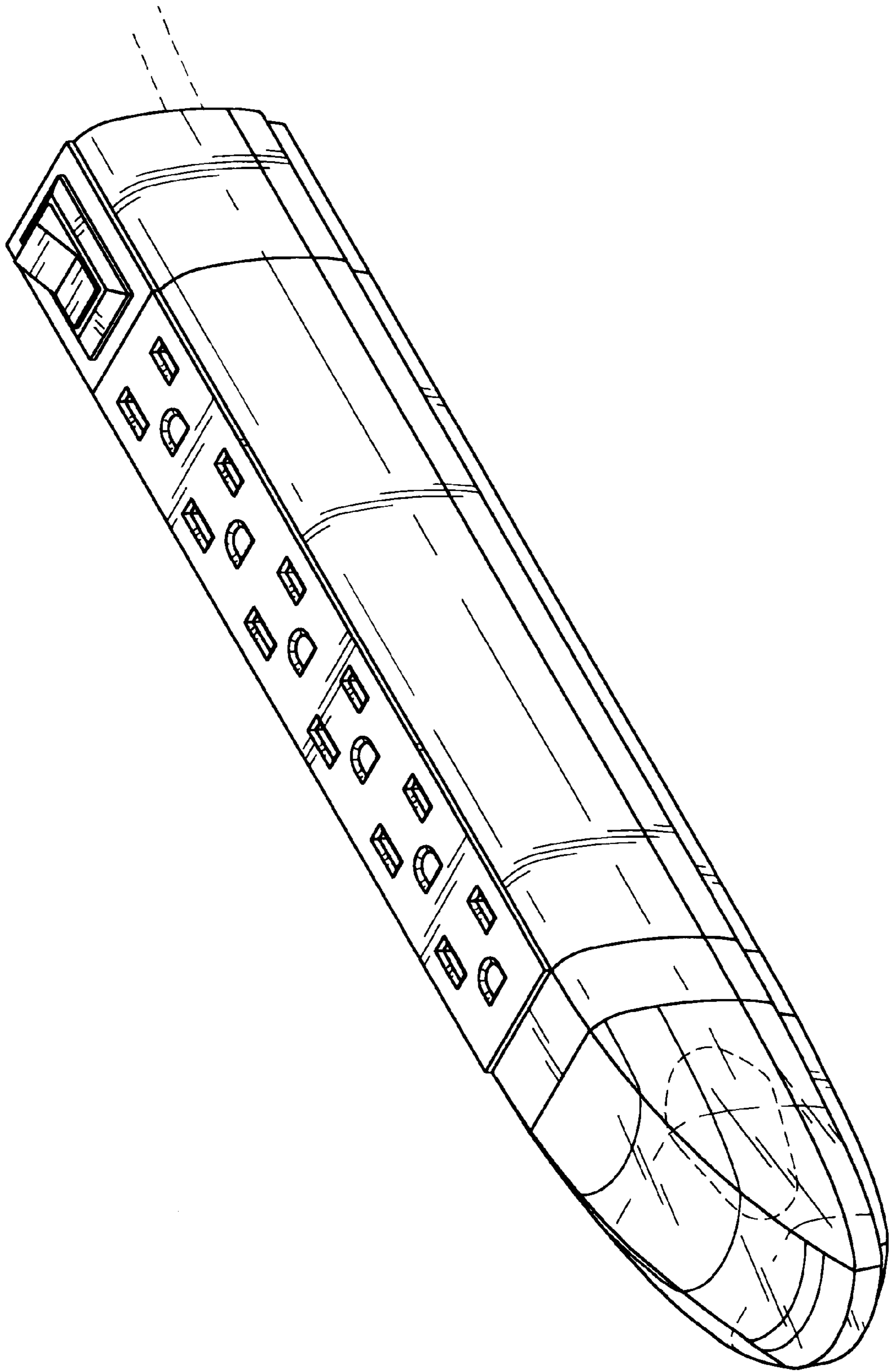
**DESCRIPTION**

FIG. 1 is a front, right side perspective view of a combined receptacle adapter and light;  
FIG. 2 is a top view thereof;  
FIG. 3 is a right side elevational view thereof, the left side elevational view being a mirror image;  
FIG. 4 is a front elevational view thereof;  
FIG. 5 is a rear side elevational view thereof; and,  
FIG. 6 is a bottom view thereof.

The broken lines are shown for illustrative purposes only and form no part of the claimed design.

**1 Claim, 2 Drawing Sheets**





**FIG. 1**

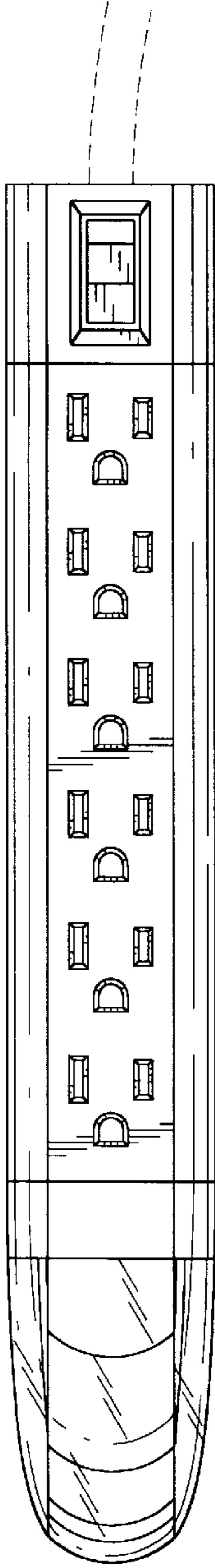


FIG. 2

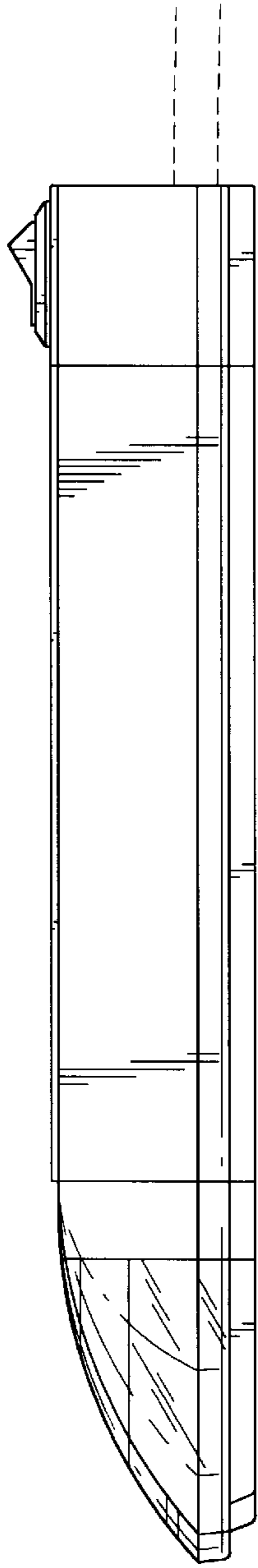


FIG. 3

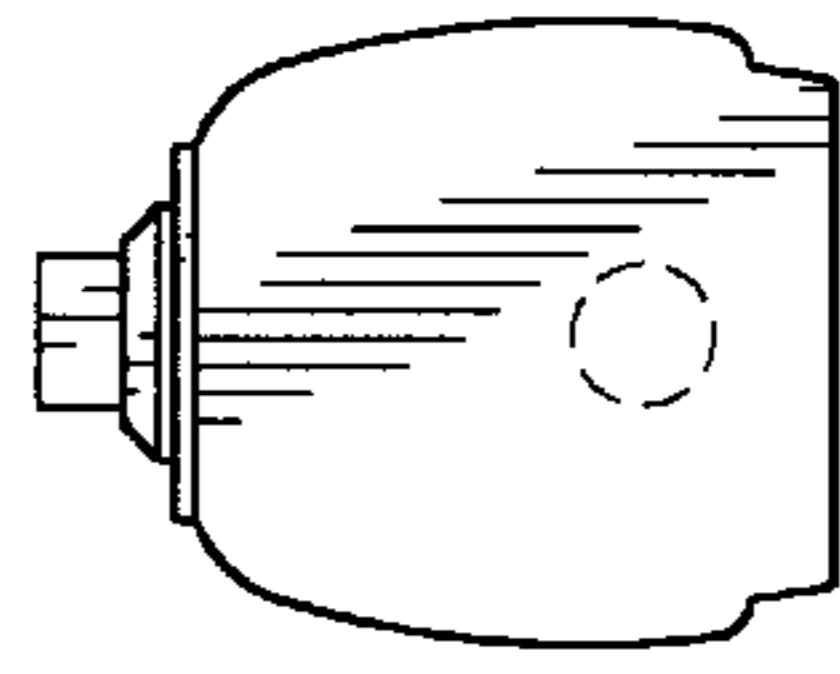


FIG. 5

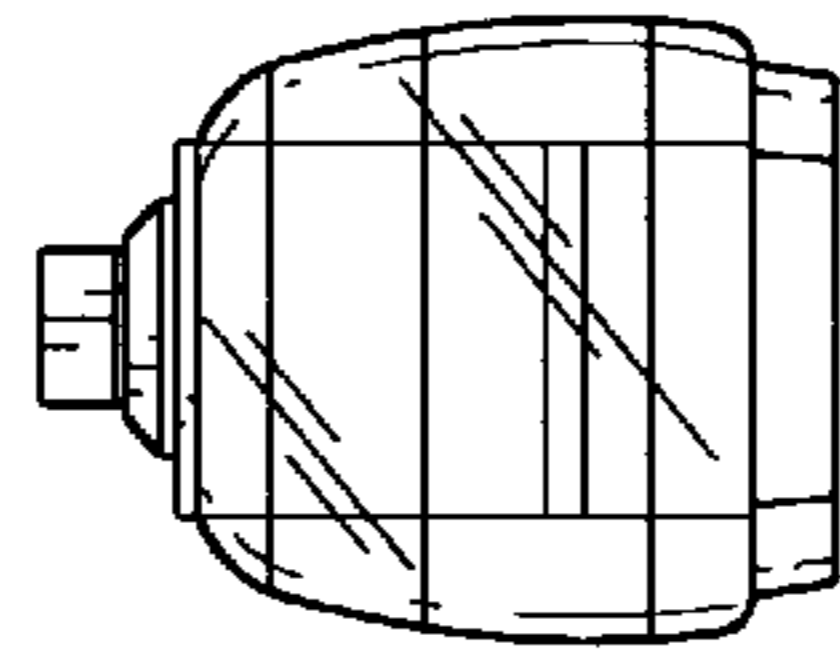


FIG. 4

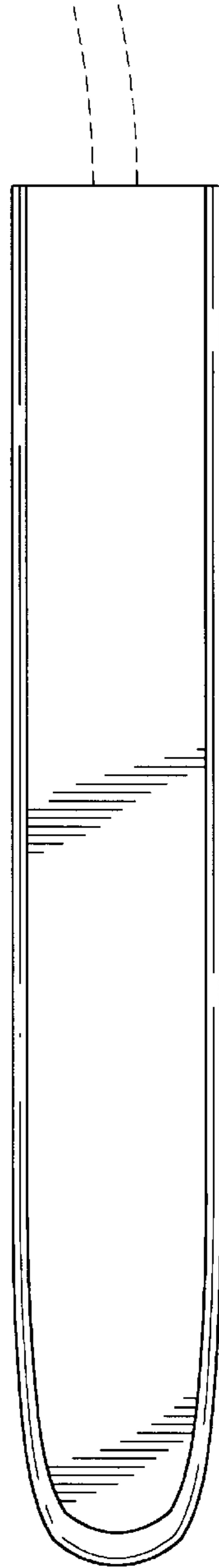


FIG. 6