



US00D425862S

United States Patent [19]

[11] **Patent Number: Des. 425,862**

Yu

[45] **Date of Patent: ** May 30, 2000**

[54] **COMBINED RECEPTACLE ADAPTER AND LIGHT**

D. 382,658	8/1997	Yu	D26/26
D. 397,914	9/1998	Pun	D26/26
1,825,085	9/1931	Neill	362/806

[76] Inventor: **Jeff Yu**, 2491 Ramke Pl., Santa Clara, Calif. 95050

Primary Examiner—Susan J. Lucas
Assistant Examiner—Jennifer Rivard
Attorney, Agent, or Firm—R J Services

[**] Term: **14 Years**

[57] **CLAIM**

[21] Appl. No.: **29/105,386**

The ornamental design for a combined receptacle adapter and light, as shown and described.

[22] Filed: **May 24, 1999**

DESCRIPTION

[51] **LOC (7) Cl.** **13-03**

[52] **U.S. Cl.** **D13/137.2; D26/51; D26/26; D26/118**

[58] **Field of Search** 362/226, 806; 439/105, 650-652; D26/26, 51, 118, 73; D13/137.1-137.4, 139.1-139.8

FIG. 1 is a front, left side perspective view of a combined receptacle adapter and light;
FIG. 2 is a front elevational view thereof;
FIG. 3 is a left side elevational view thereof;
FIG. 4 is a top view thereof;
FIG. 5 is a bottom view thereof; and,
FIG. 6 is a rear elevational view thereof.

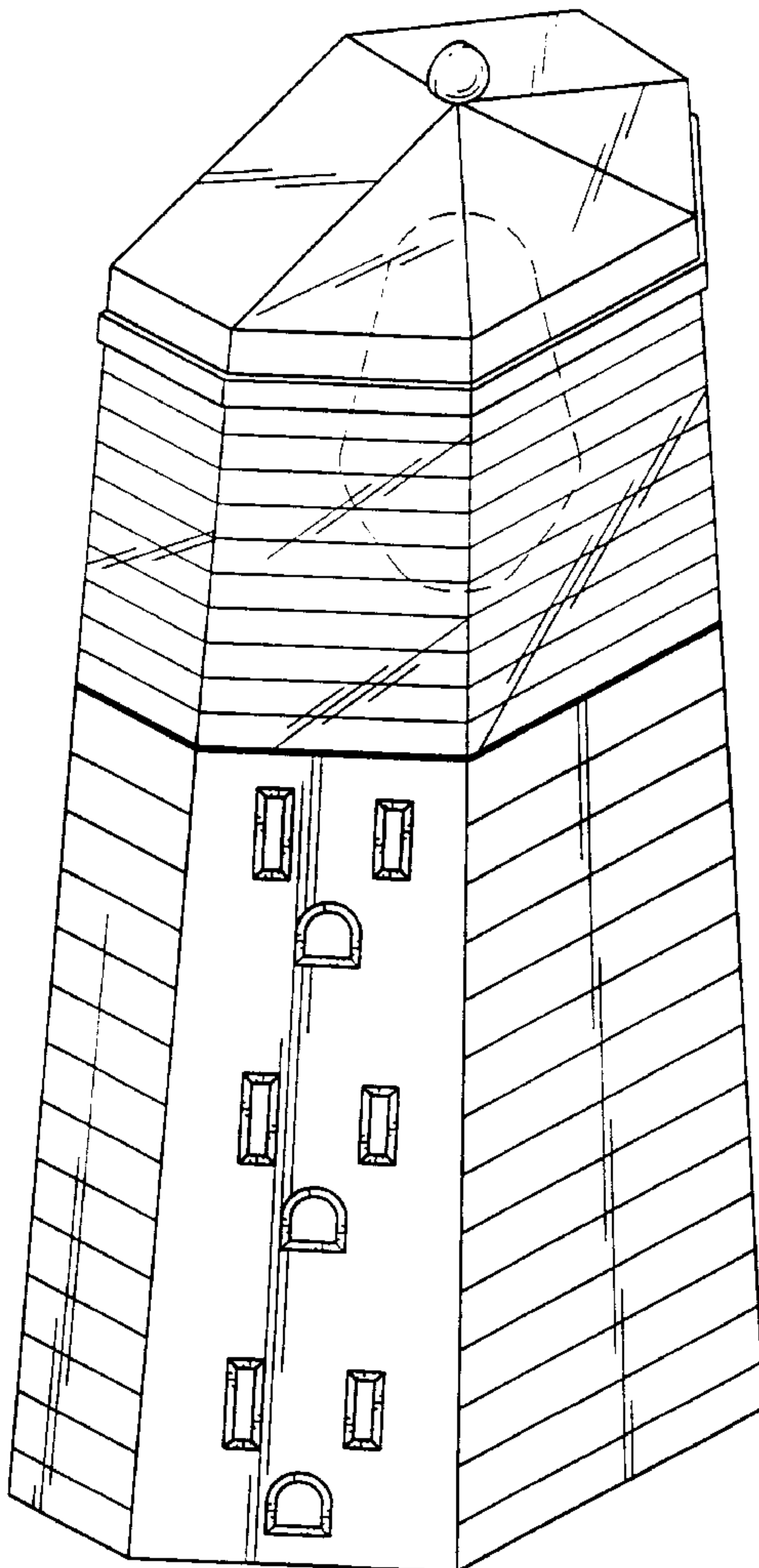
[56] **References Cited**

The broken lines are shown for illustrative purposes only and form no part of the claimed design.

U.S. PATENT DOCUMENTS

D. 46,881	1/1915	Jennings	D26/73
D. 342,798	12/1993	Ancona et al.	D26/26
D. 346,360	4/1994	Kiegler	D13/137.1
D. 368,535	4/1996	Braviroff	D26/26

1 Claim, 4 Drawing Sheets



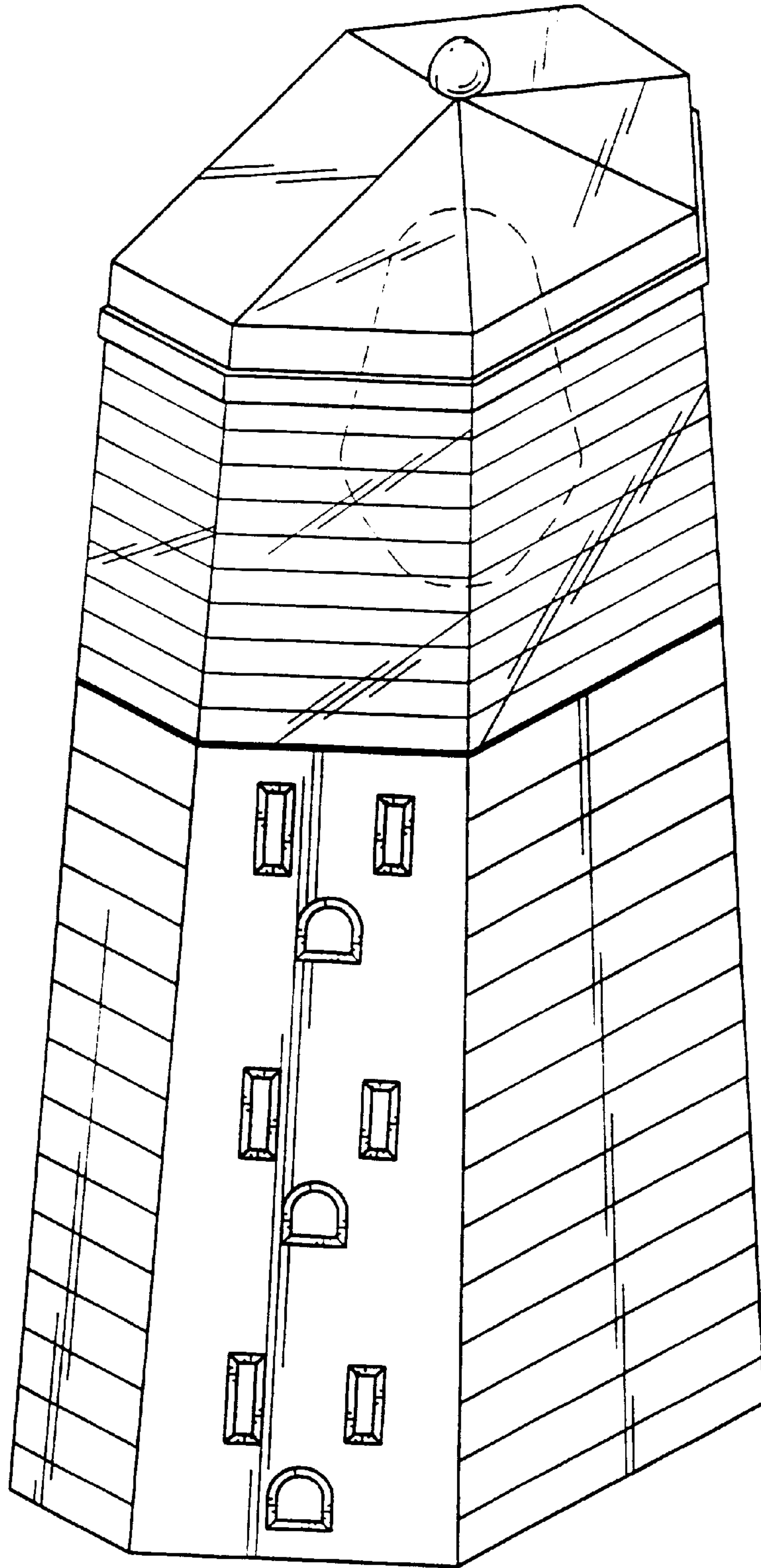


FIG. 1

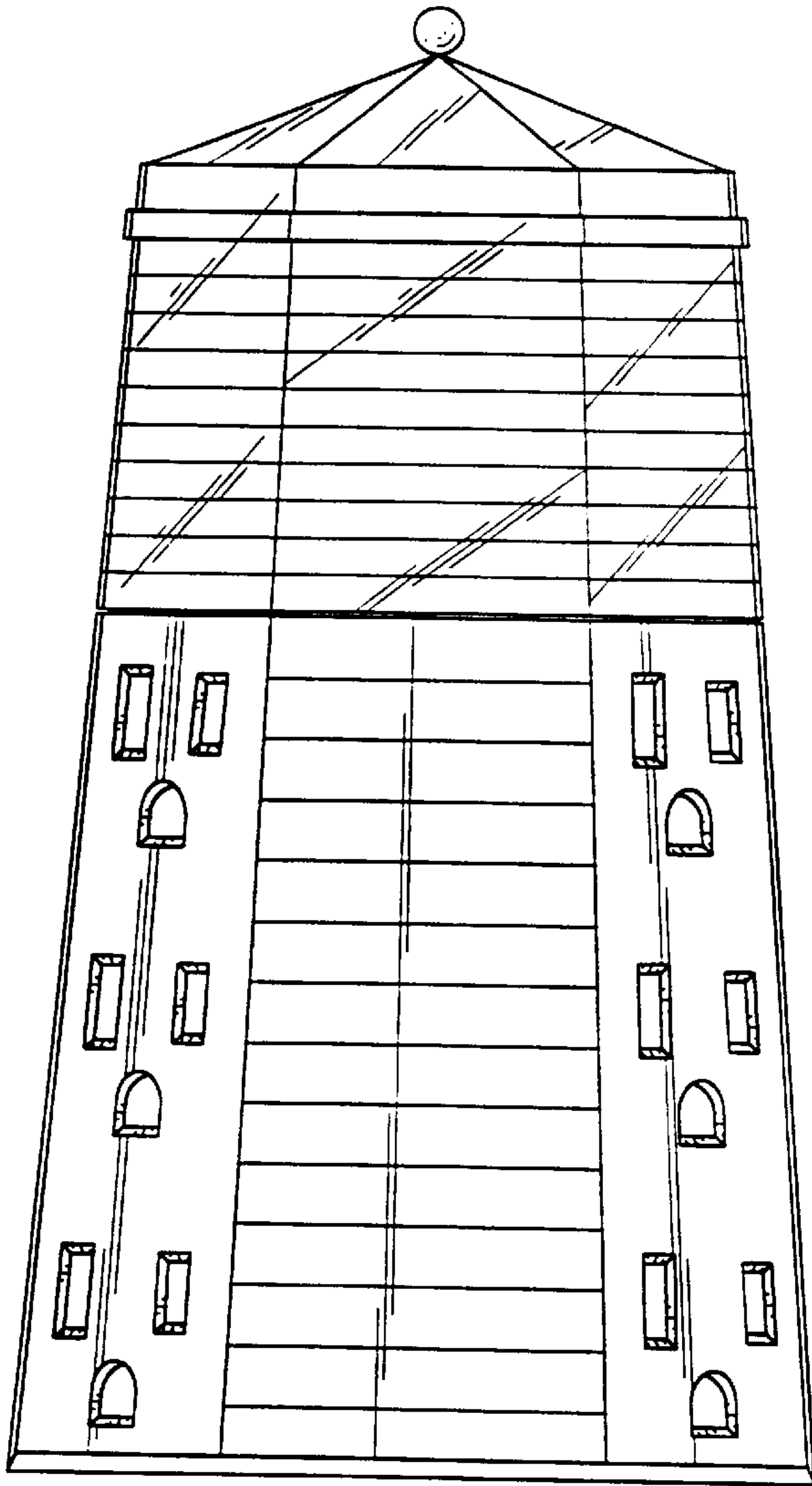


FIG. 2

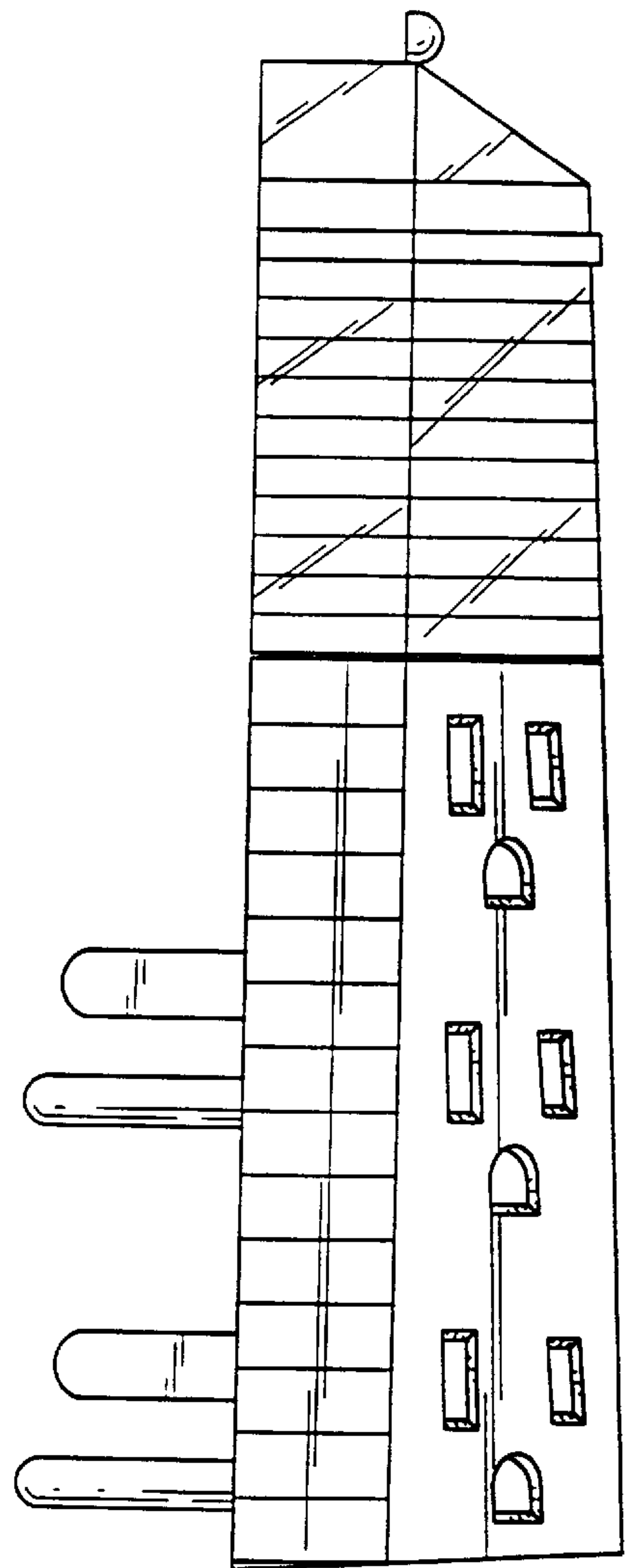


FIG. 3

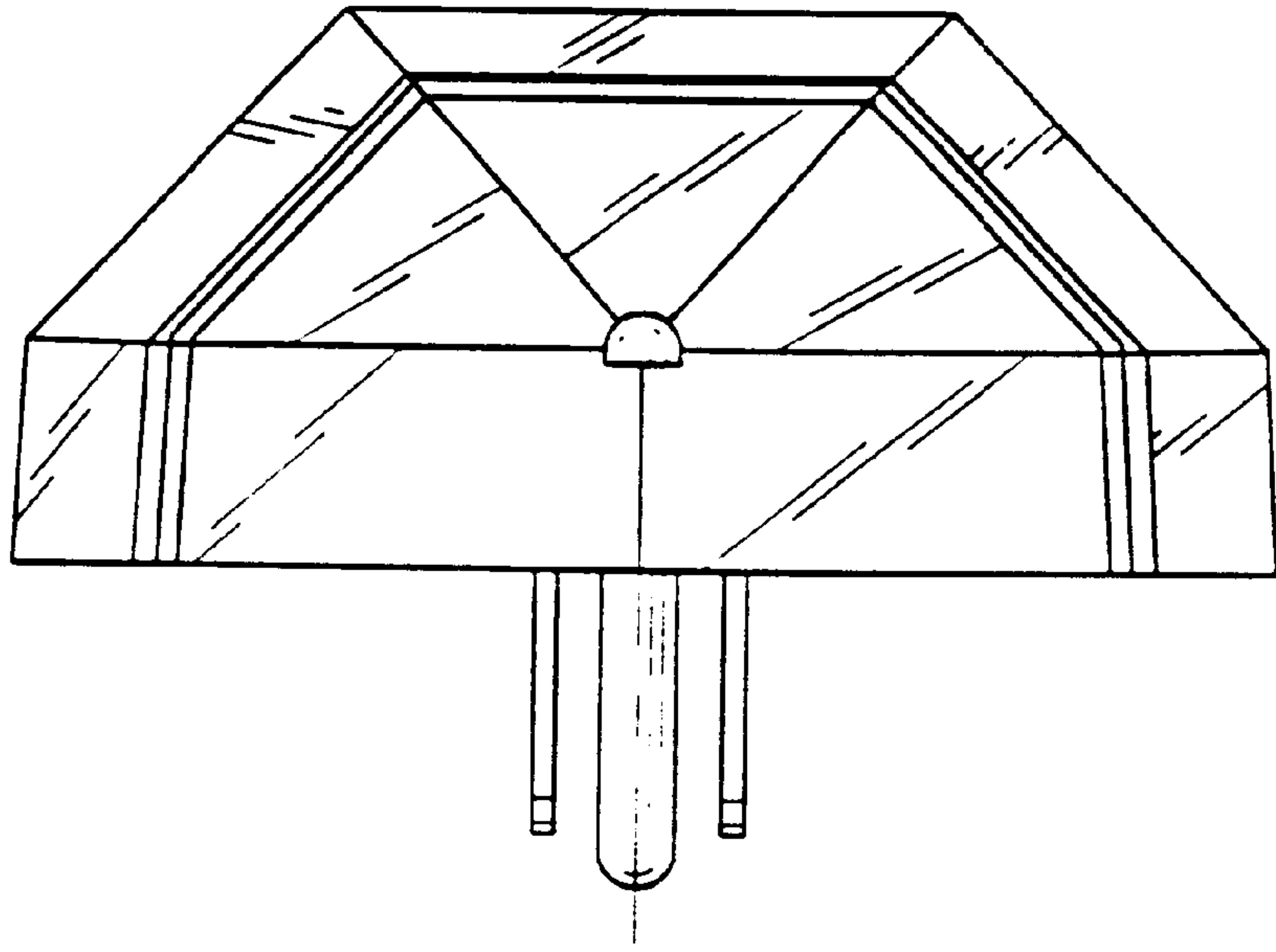


FIG. 4

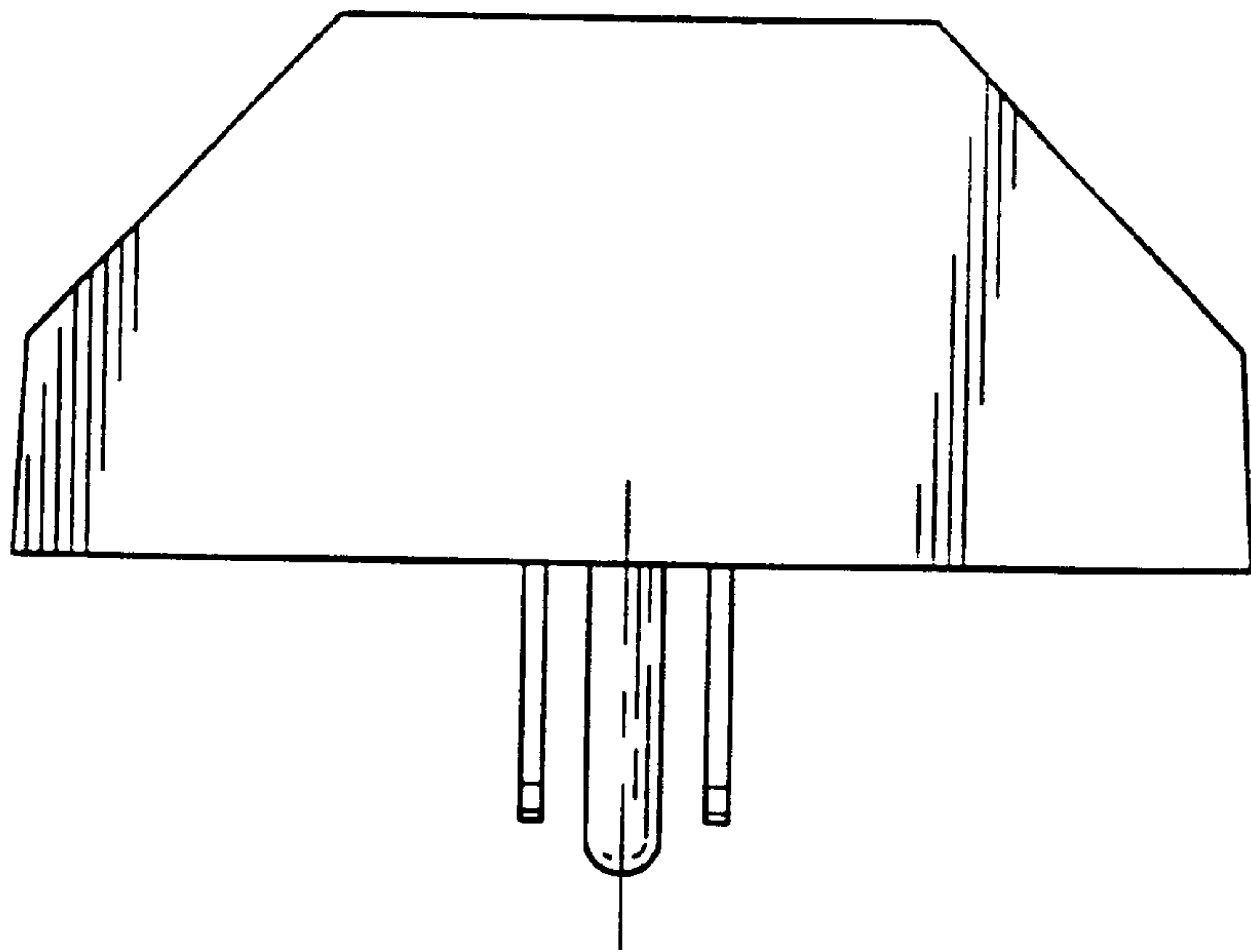


FIG. 5

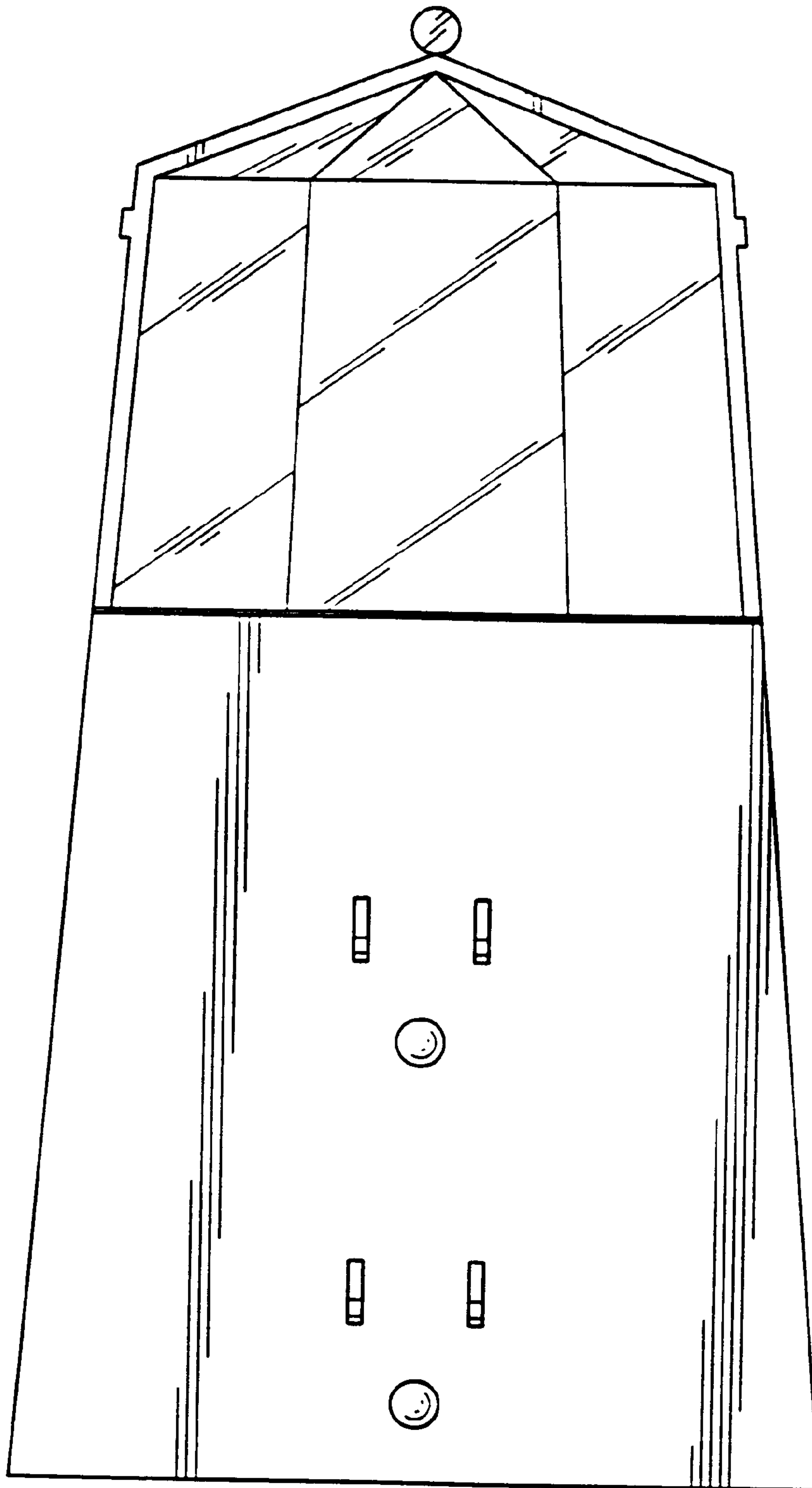


FIG. 6