



US00D425861S

United States Patent [19]
Shih

[11] **Patent Number: Des. 425,861**

[45] **Date of Patent: ** May 30, 2000**

[54] **BUBBLE-LAMP SOCKET**

[76] Inventor: **Hsueh-Ming Shih**, No. 239, Hsin-Ming Rd., Taipei, Taiwan

[**] Term: **14 Years**

[21] Appl. No.: **29/112,109**

[22] Filed: **Oct. 8, 1999**

[51] **LOC (7) Cl.** **13-03**

[52] **U.S. Cl.** **D13/134**

[58] **Field of Search** D13/134; D26/110;
D11/143; 362/96, 101, 318

[56] **References Cited**

U.S. PATENT DOCUMENTS

- D. 242,736 12/1976 Craft, III et al. D11/143
- D. 259,774 7/1981 Criscitiello, Jr. D11/143
- D. 351,790 10/1994 Haindl D11/152 X
- D. 364,255 11/1995 Shaw et al. D34/1

- D. 405,386 2/1999 Ross D11/152
- 4,062,446 12/1977 Oyama 206/223
- 4,974,127 11/1990 Foley 362/96

Primary Examiner—Joel Sincavage
Attorney, Agent, or Firm—Bacon & Thomas

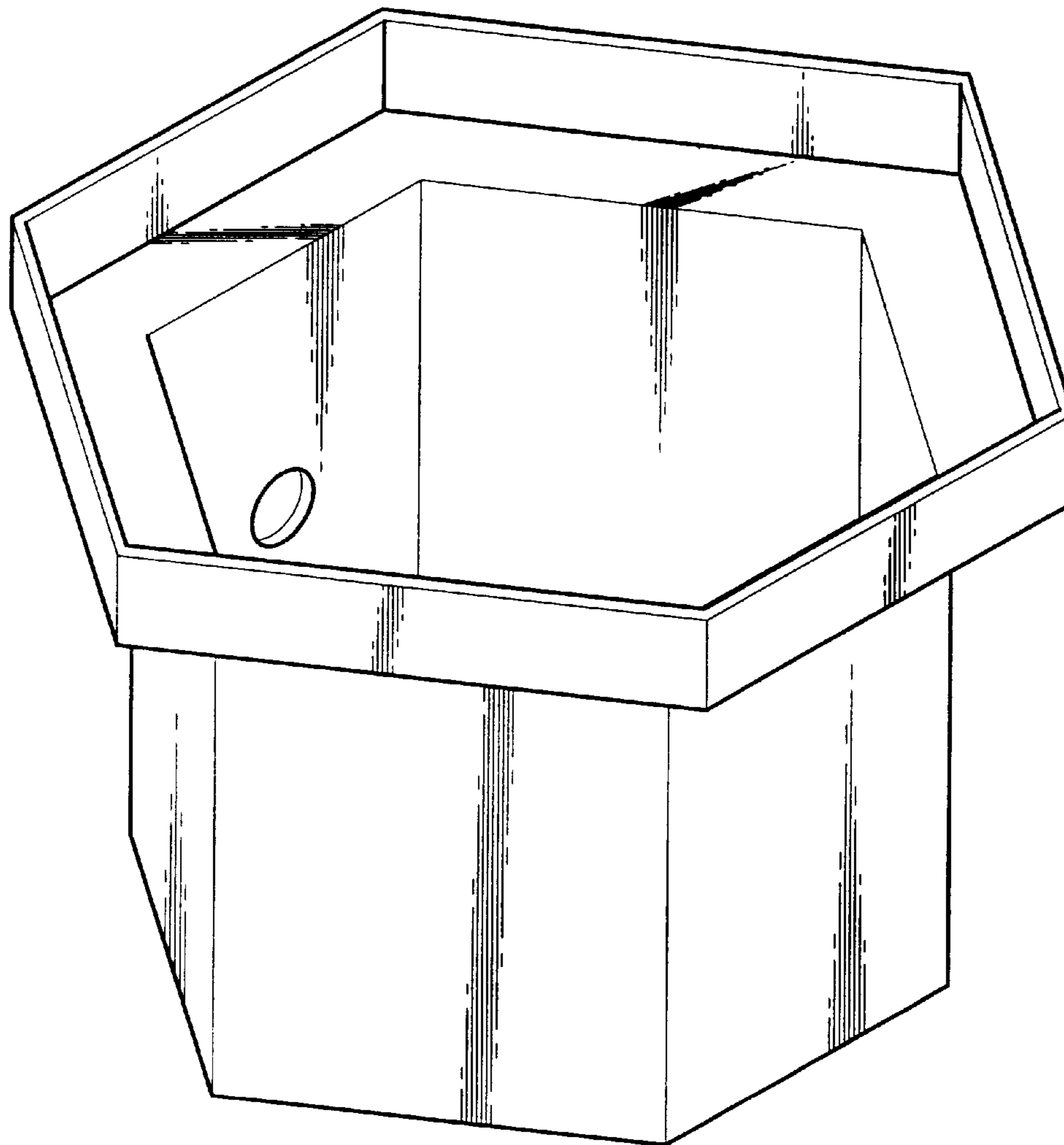
[57] **CLAIM**

The ornamental design for bubble-lamp socket, as shown and described.

DESCRIPTION

FIG. 1 is a perspective view of bubble-lamp socket showing our new design thereof;
FIG. 2 is a right side elevational view thereof;
FIG. 3 is a top plan view thereof;
FIG. 4 is a front elevational view thereof;
FIG. 5 is a bottom plan view thereof;
FIG. 6 is a left side elevational view thereof; and,
FIG. 7 is a rear elevational view thereof.

1 Claim, 4 Drawing Sheets



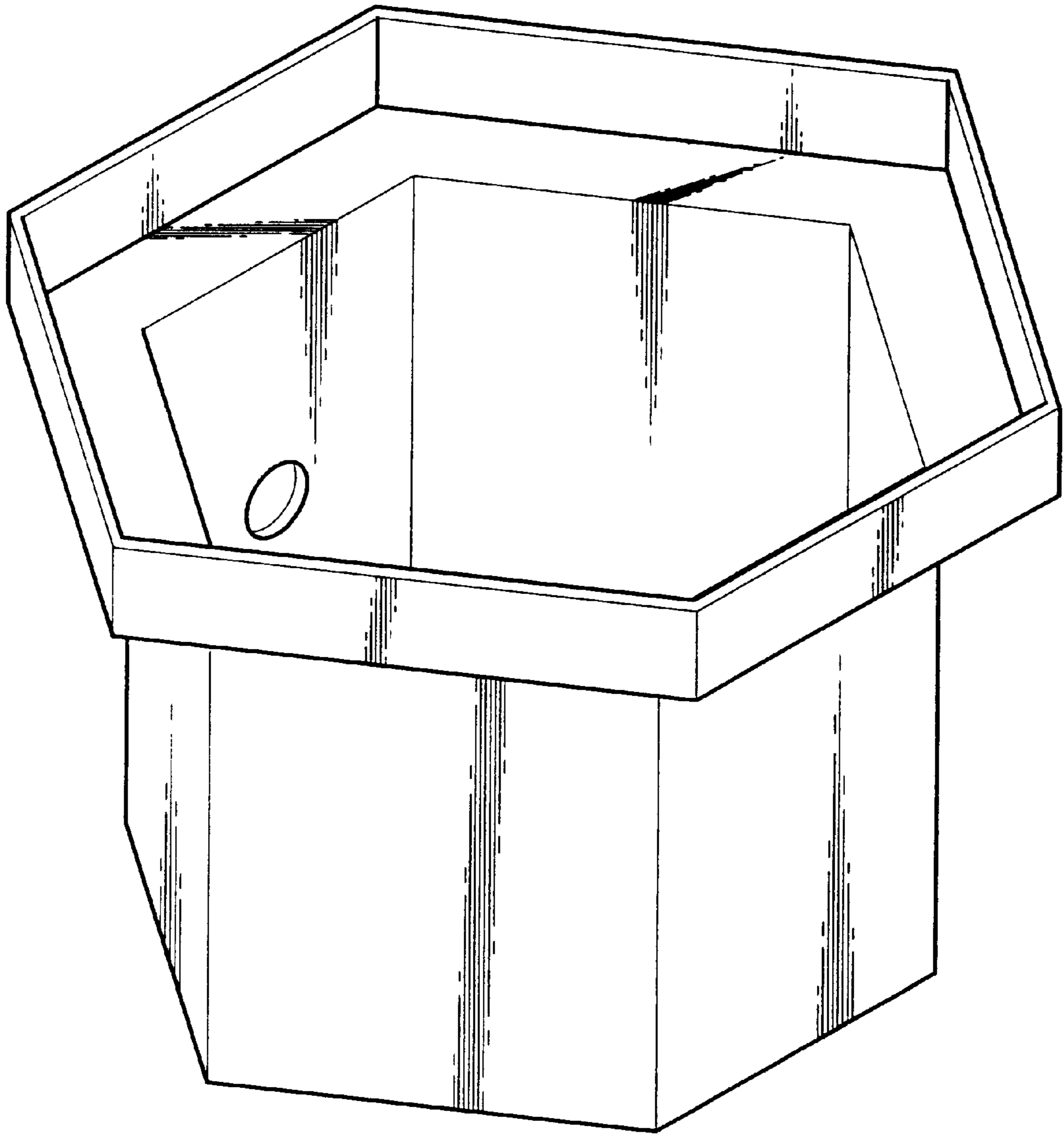


Fig. 1

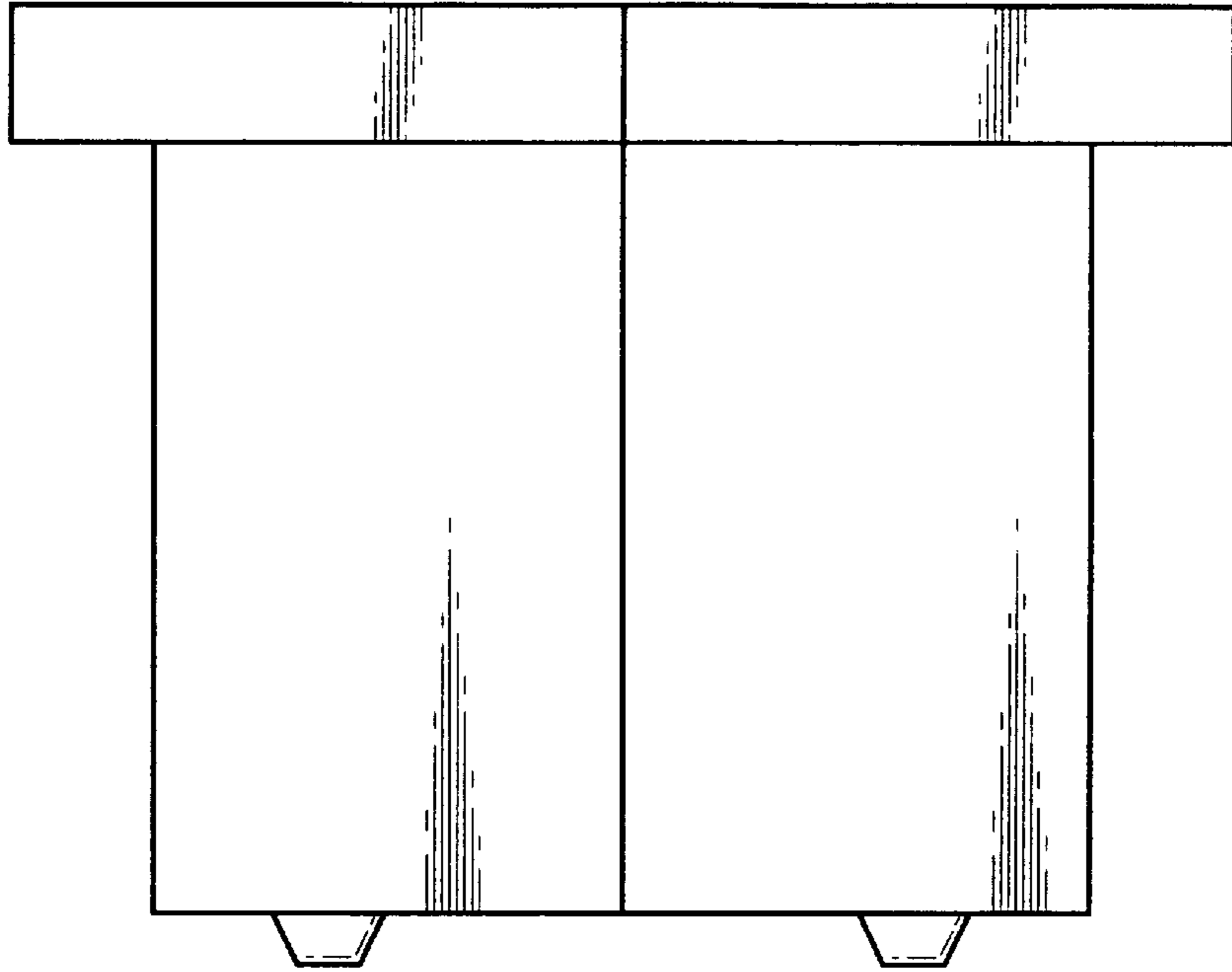


Fig. 2

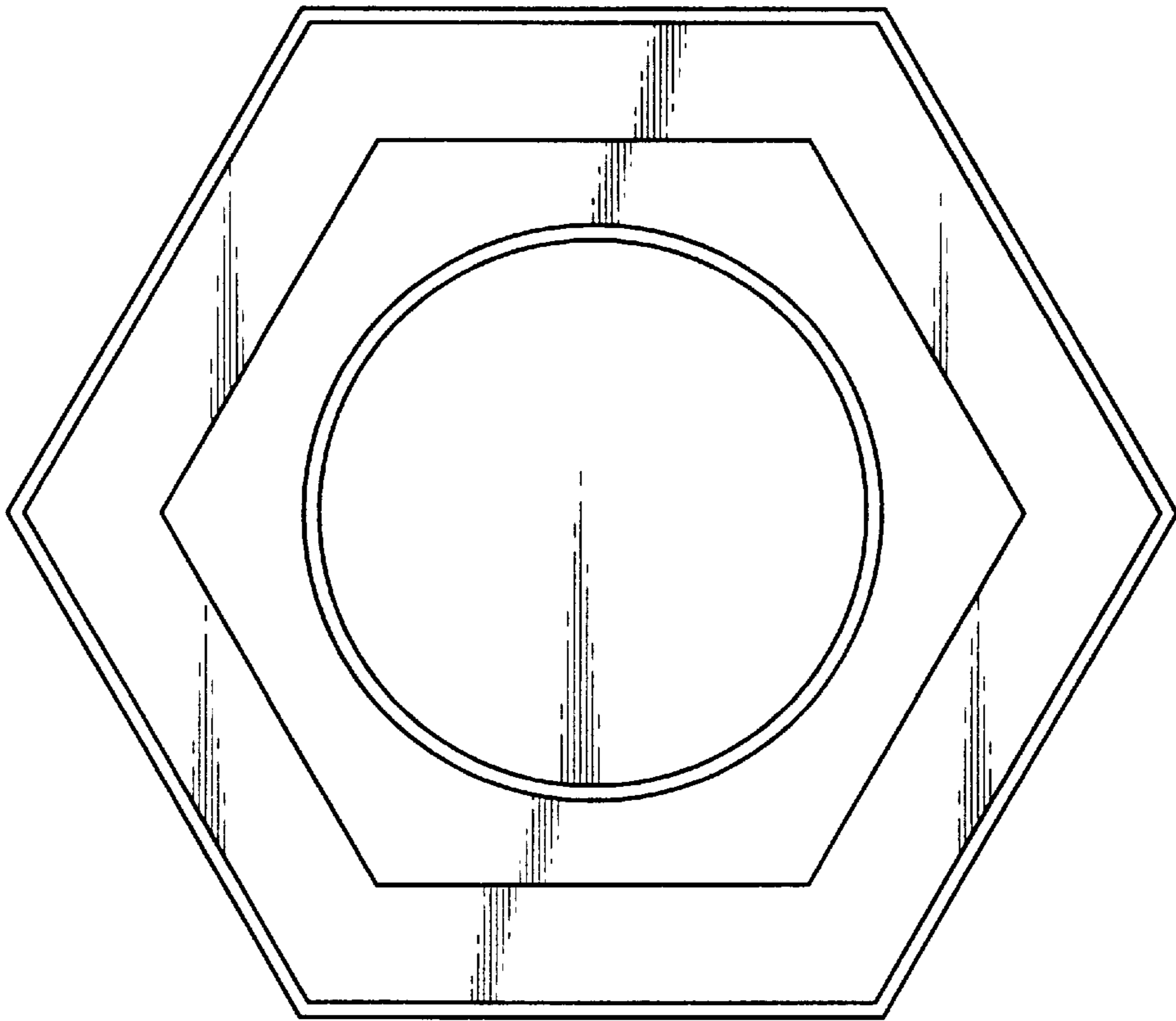


Fig. 3

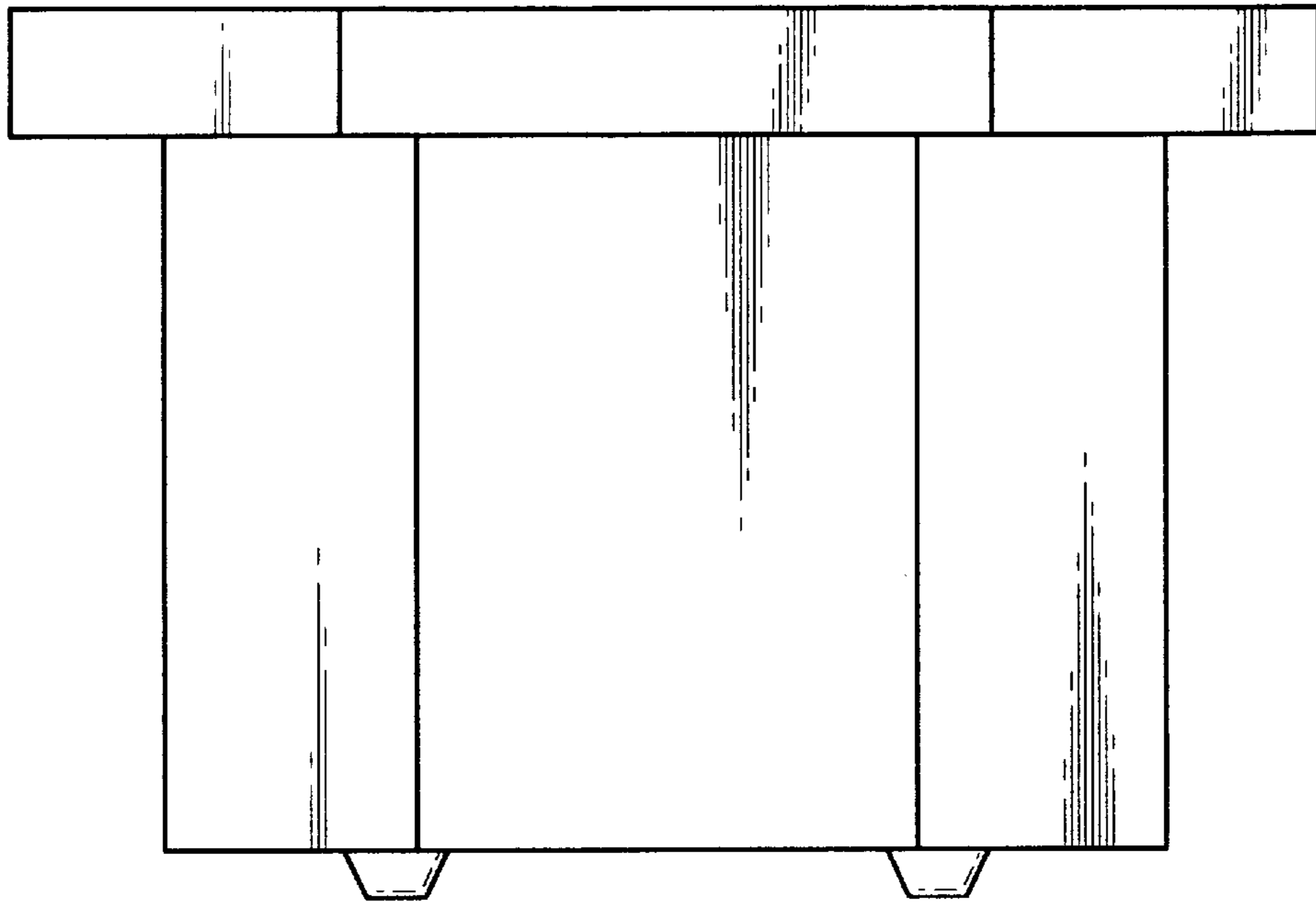


Fig. 4

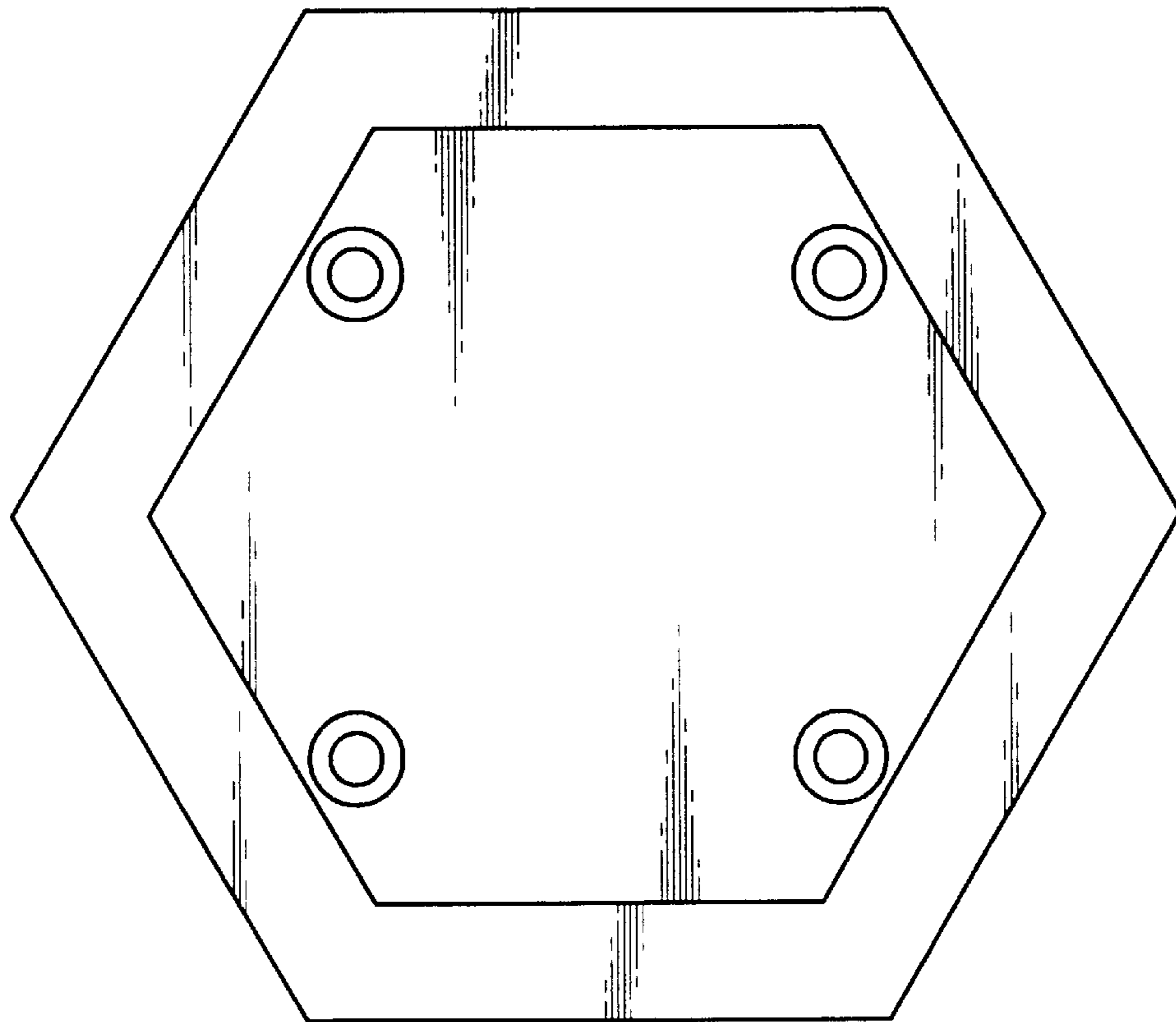


Fig. 5

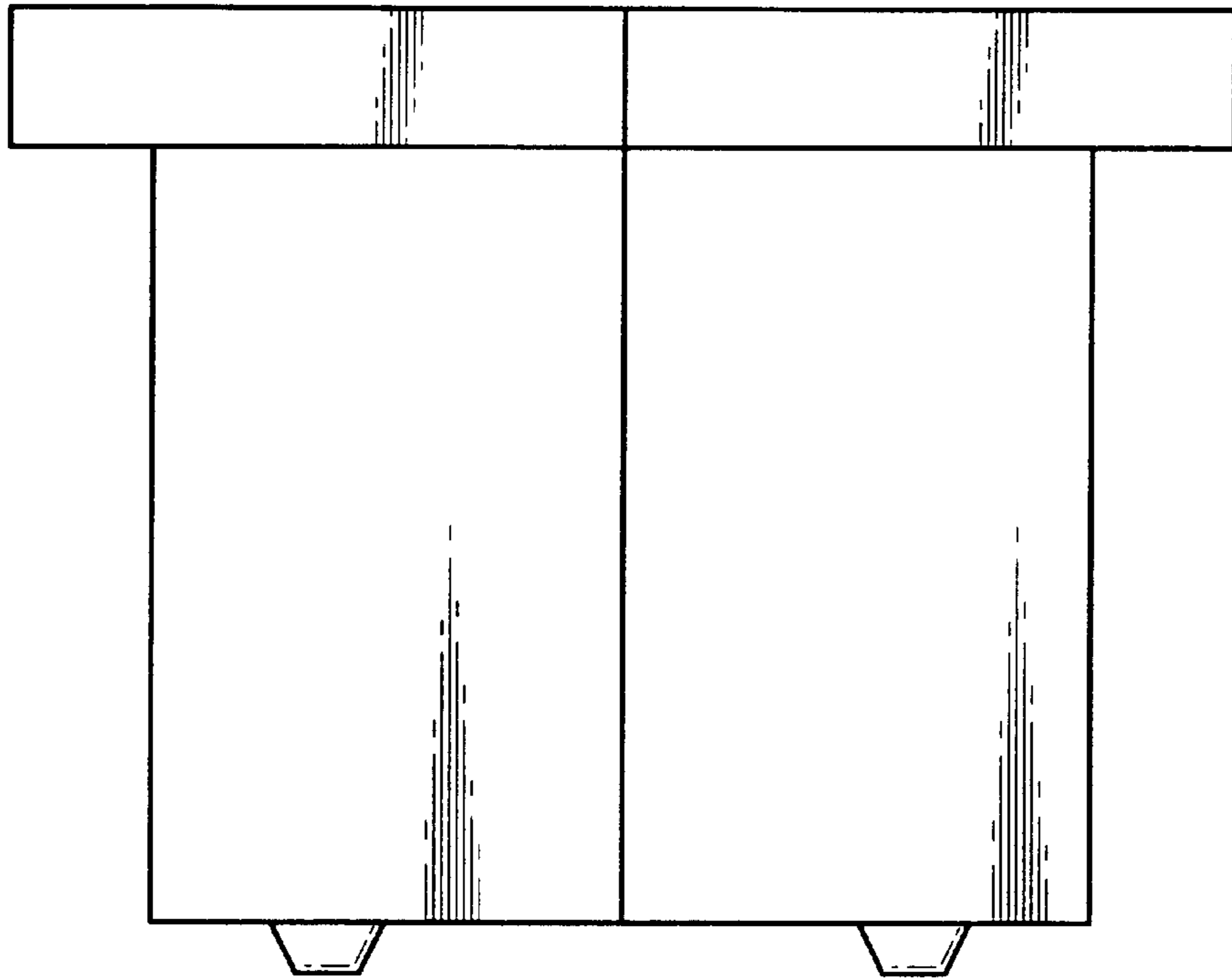


Fig. 6

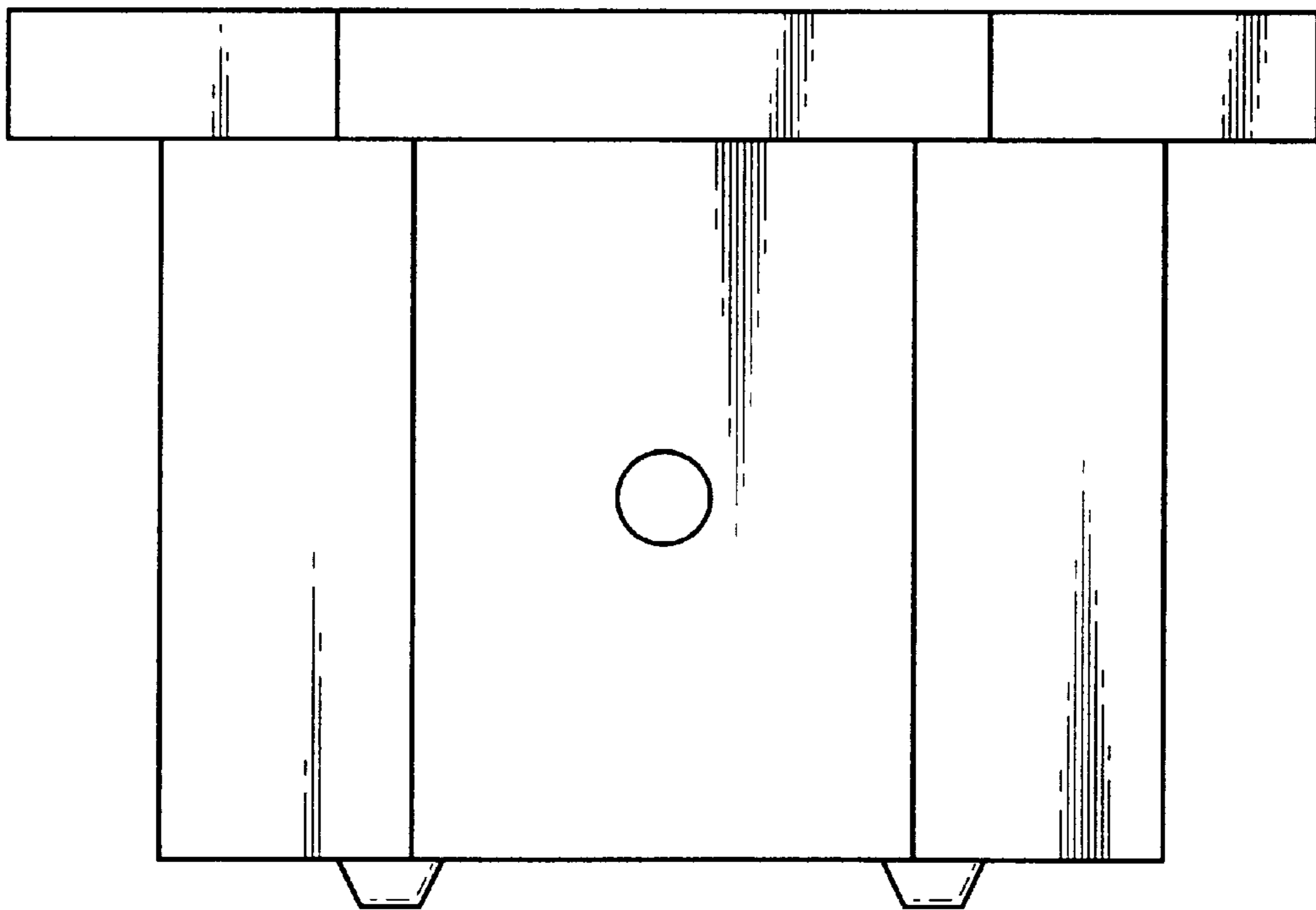


Fig. 7