



US00D425857S

United States Patent [19]

[11] Patent Number: **Des. 425,857**

Umeda et al.

[45] Date of Patent: **** May 30, 2000**

[54] STATOR OF VEHICLE ALTERNATOR

FOREIGN PATENT DOCUMENTS

[75] Inventors: **Atsushi Umeda**, Okazaki; **Tsutomu Shiga**, Nukata-gun; **Shin Kusase**, Obu, all of Japan

92/06527 4/1992 WIPO .

Primary Examiner—Joel Sincavage
Attorney, Agent, or Firm—Pillsbury Madison & Sutro LLP

[73] Assignee: **Denso Corporation**, Kariya, Japan

[57] CLAIM

[**] Term: **14 Years**

The ornamental design for a stator for a vehicle alternator, as shown and described.

[21] Appl. No.: **29/105,275**

DESCRIPTION

[22] Filed: **May 21, 1999**

[30] Foreign Application Priority Data

Nov. 25, 1998 [JP] Japan D10-34046

[51] **LOC (7) Cl.** **13-01**

[52] **U.S. Cl.** **D13/118**

[58] **Field of Search** D13/122; 310/68 B, 310/263, 156

FIG. 1 is a front view of a stator of a vehicle alternator; FIG. 2 is a rear view thereof; FIG. 3 is a plan view thereof; FIG. 4 is a bottom view thereof; FIG. 5 is a left side view thereof; FIG. 6 is a right side view thereof; FIG. 7 is a perspective view thereof; FIG. 8 is a front view of a second embodiment of a stator of a vehicle alternator; FIG. 9 is a rear view thereof; FIG. 10 is a plan view thereof; FIG. 11 is a bottom view thereof; FIG. 12 is a left side view thereof; FIG. 13 is a right side view thereof; and, FIG. 14 is a perspective view thereof. The structure shown in broken lines in FIGS. 8–14 is not a part of the design of the embodiment.

[56] References Cited

U.S. PATENT DOCUMENTS

4,710,657	12/1987	Ocken et al.	310/62
4,741,098	5/1988	Barrera	29/736
4,890,050	12/1989	Mackevich	310/69 C X
5,327,037	7/1994	Rasmussen	310/232
5,429,687	7/1995	Goffart	148/120
5,504,382	4/1996	Douglass et al.	310/156
5,640,062	6/1997	Yockey	310/68 B X
5,729,886	3/1998	Olson et al.	29/598

1 Claim, 8 Drawing Sheets

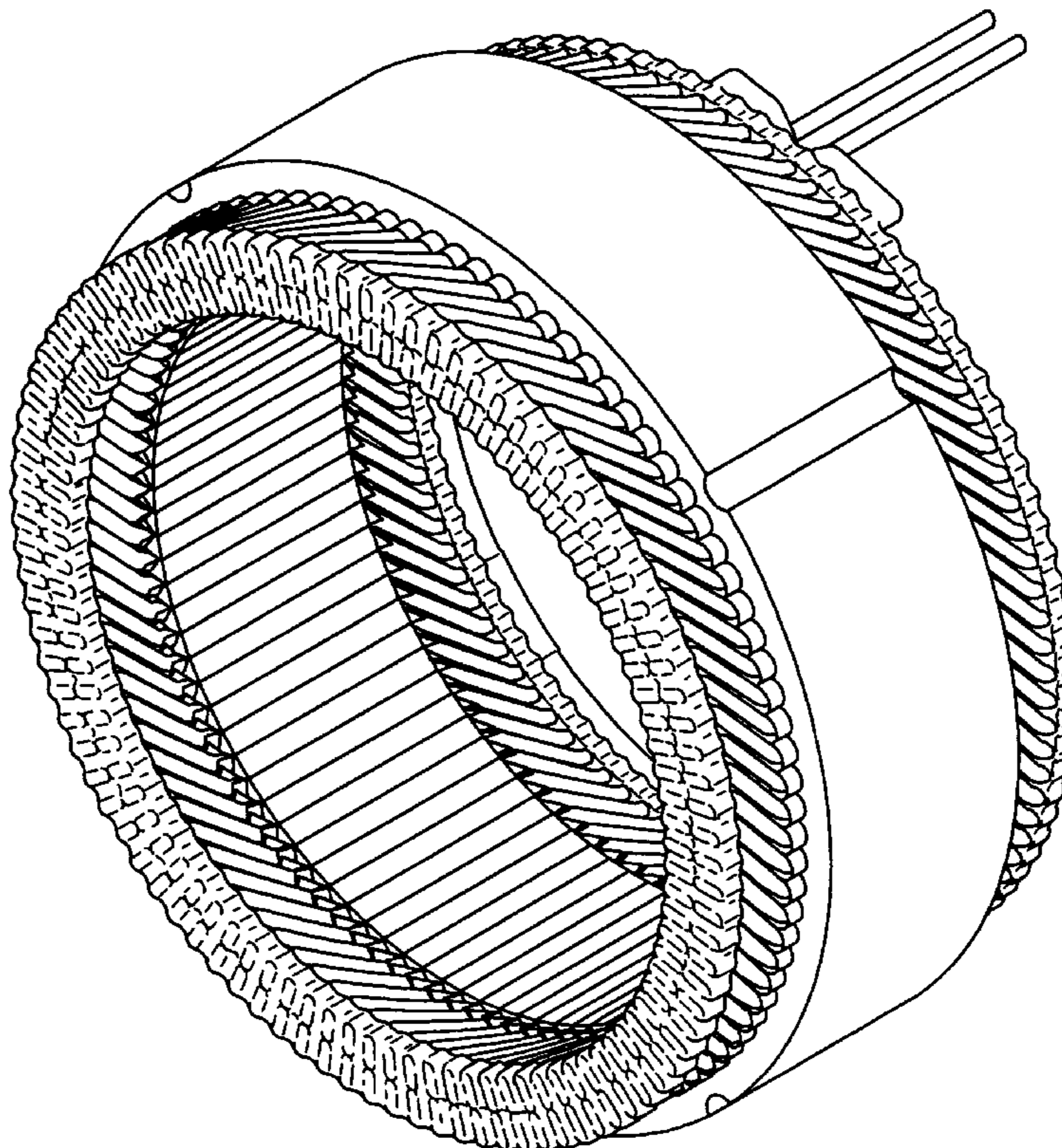


FIG. 2

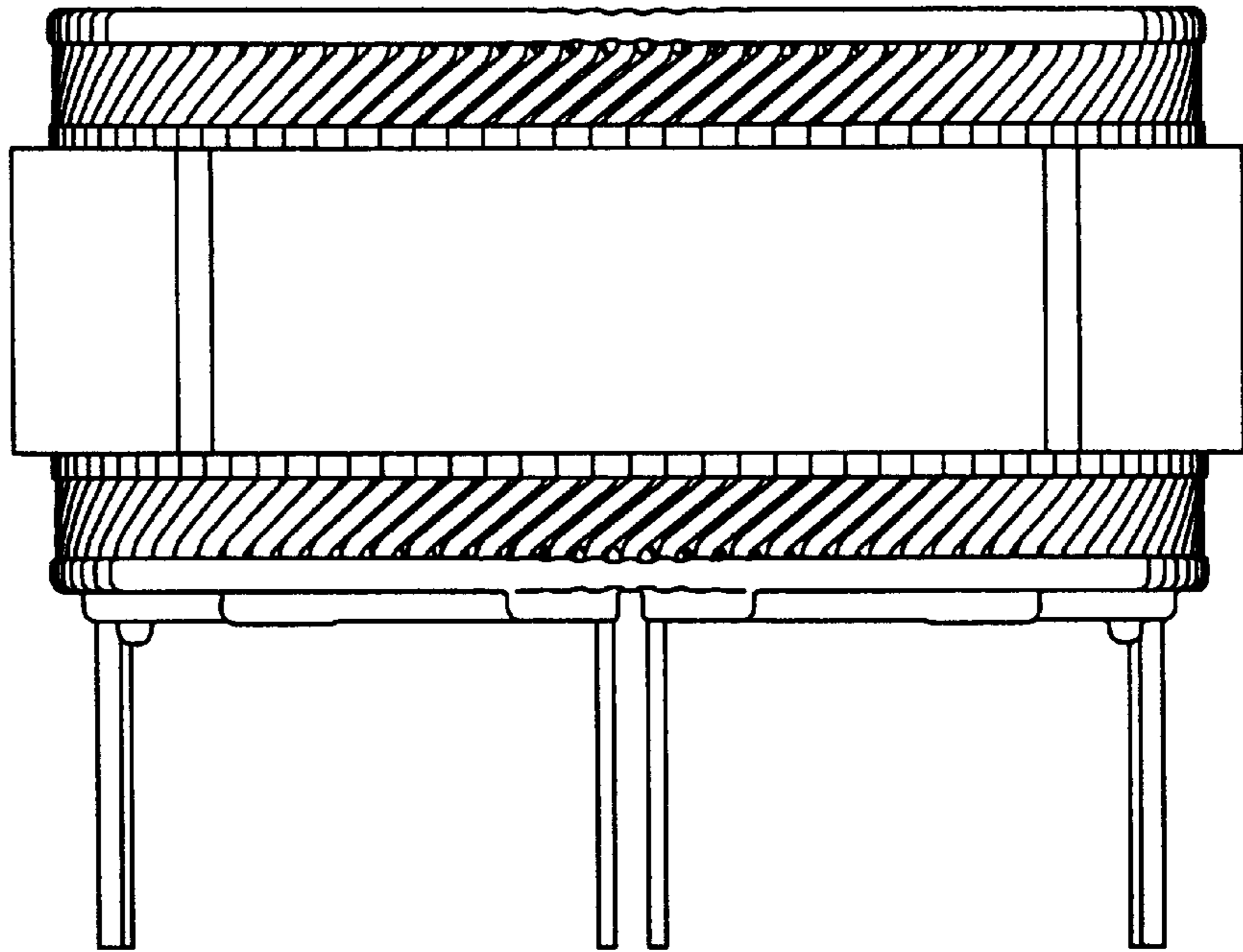


FIG. 1

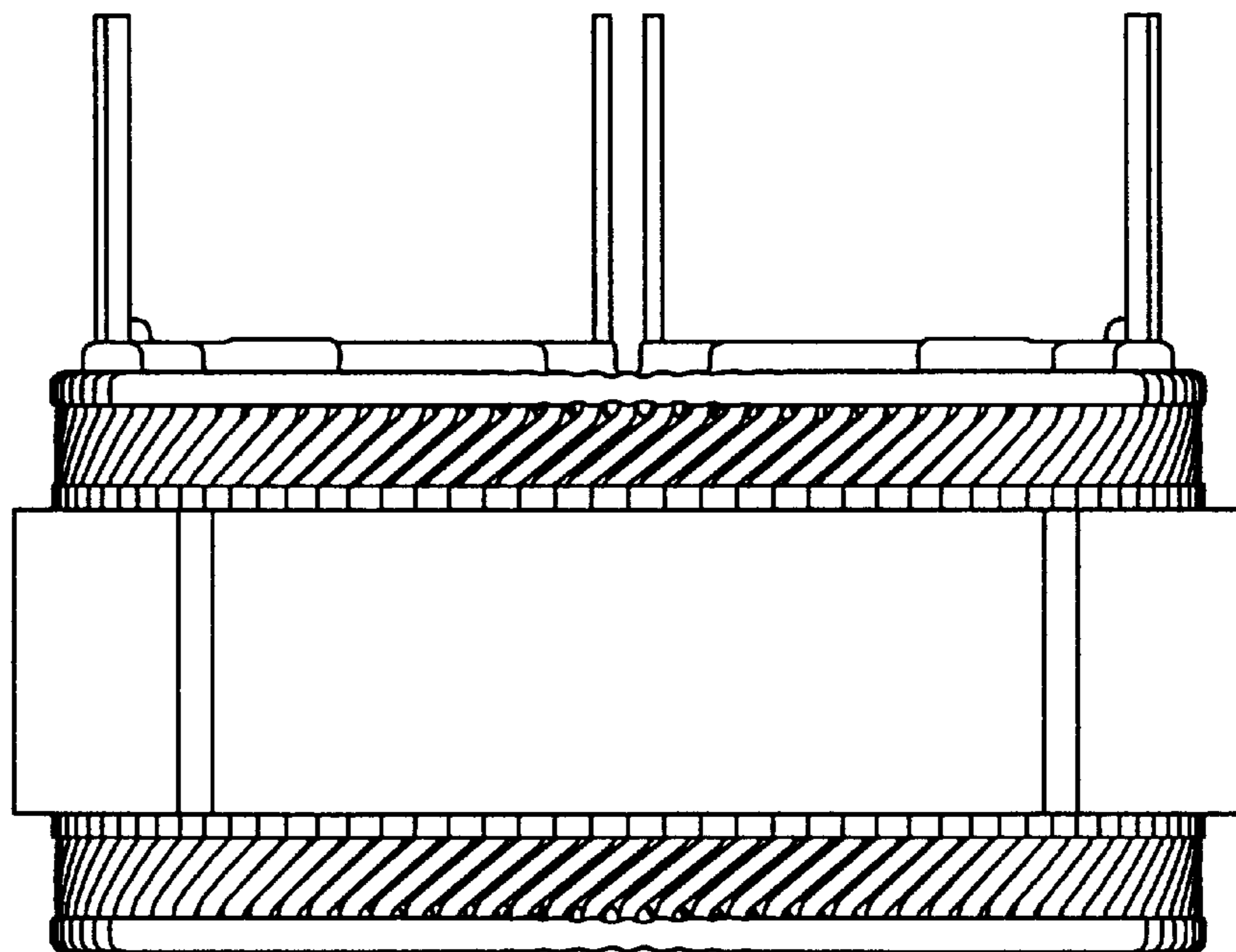


FIG. 4

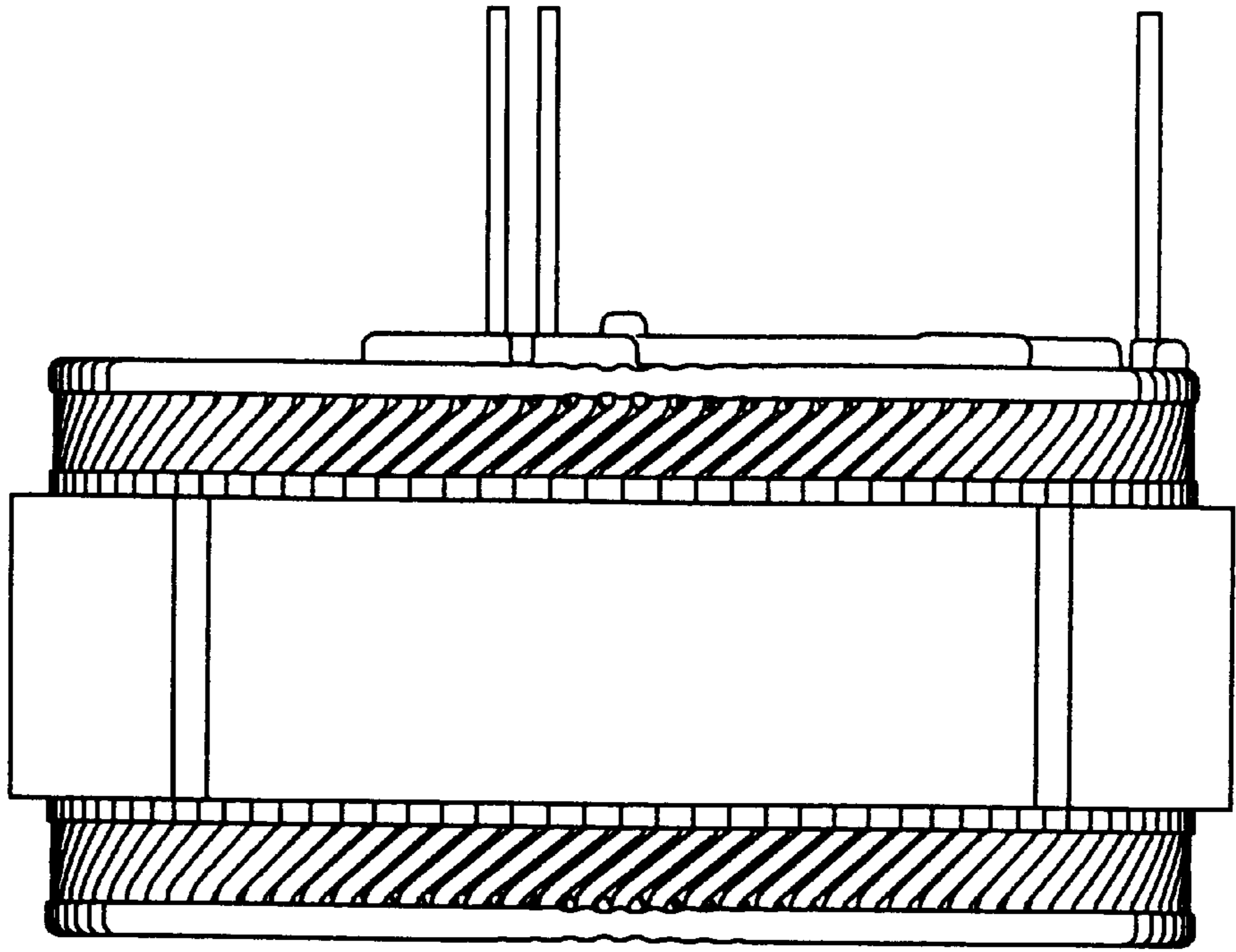


FIG. 3

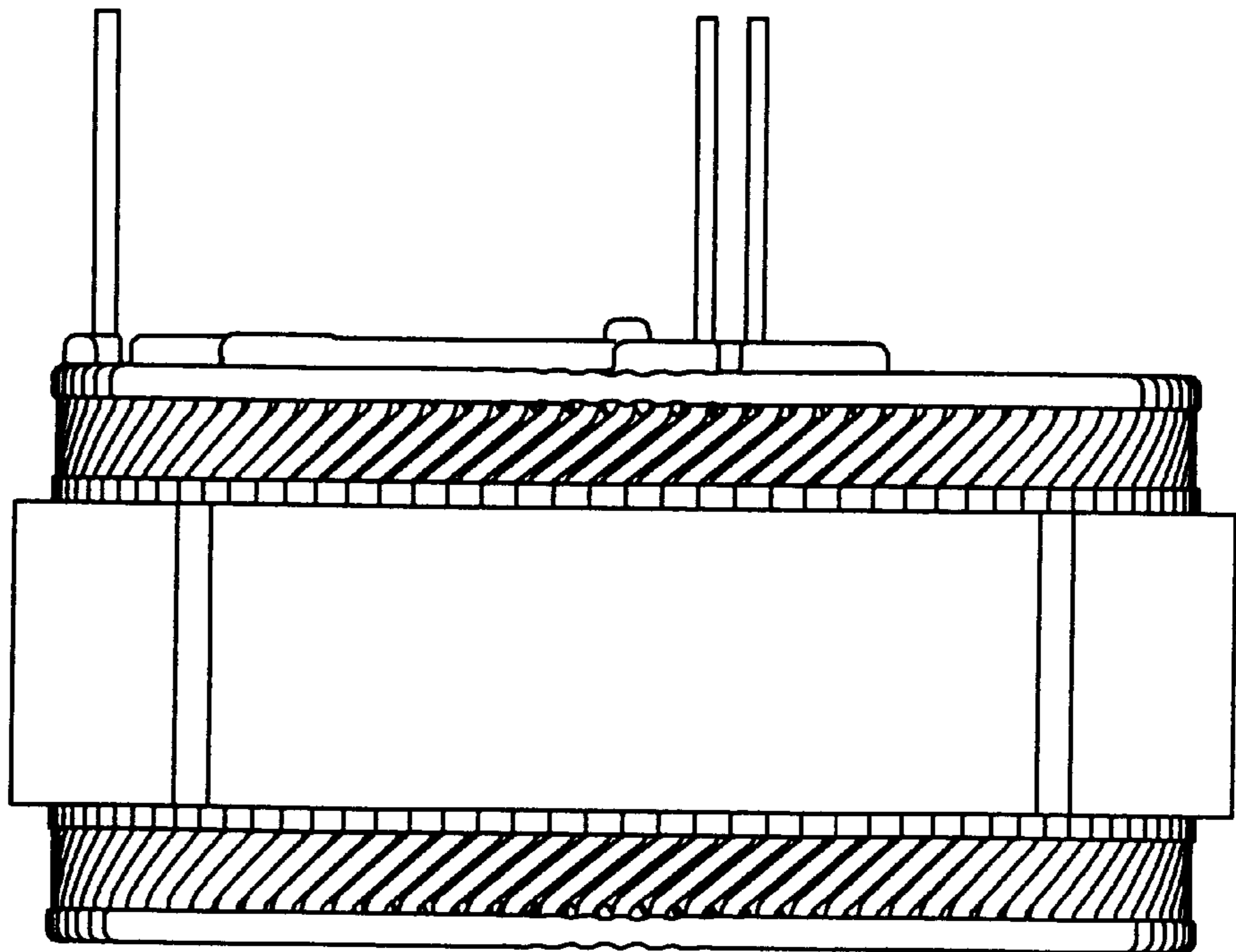


FIG. 5

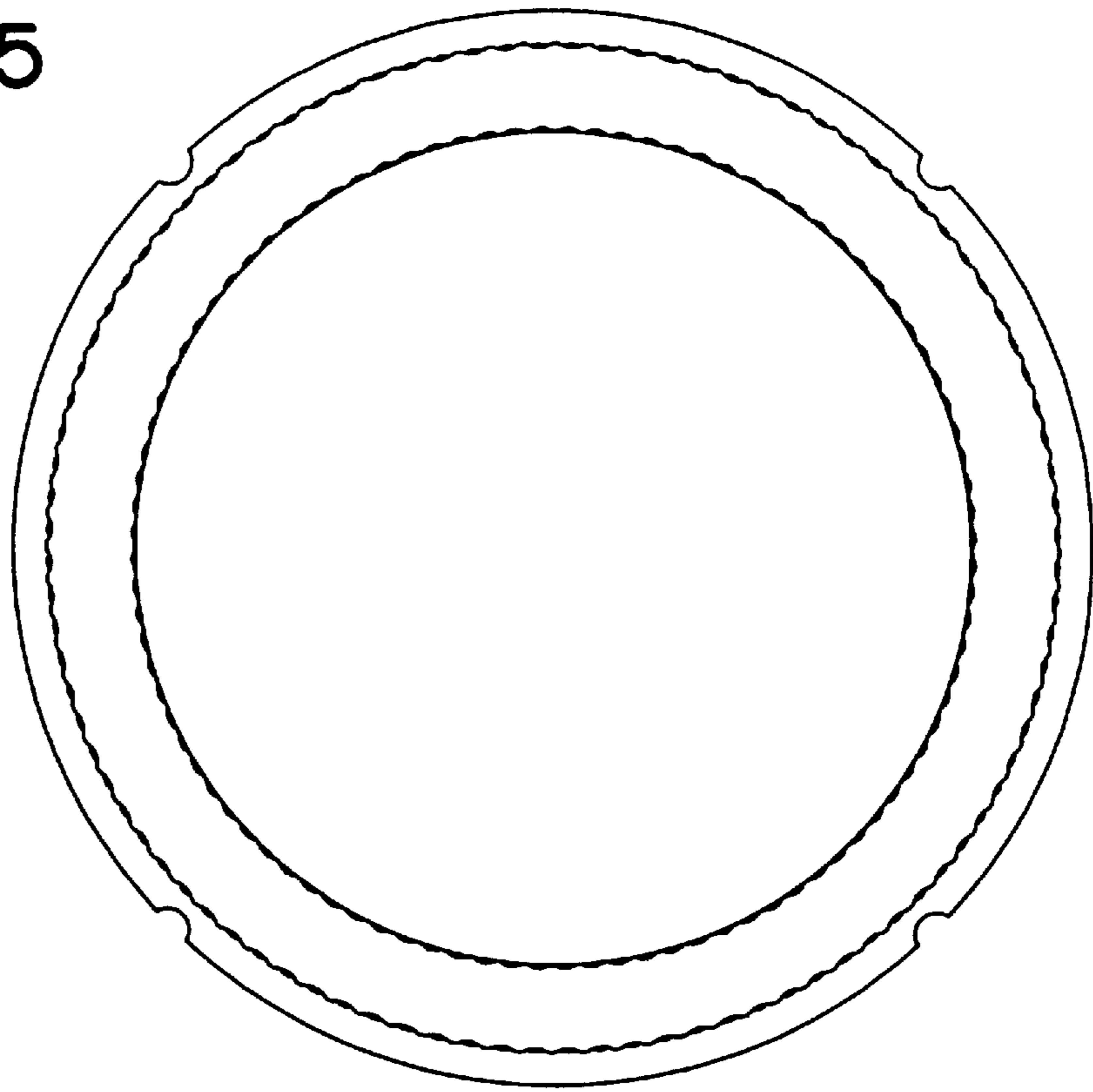


FIG. 6

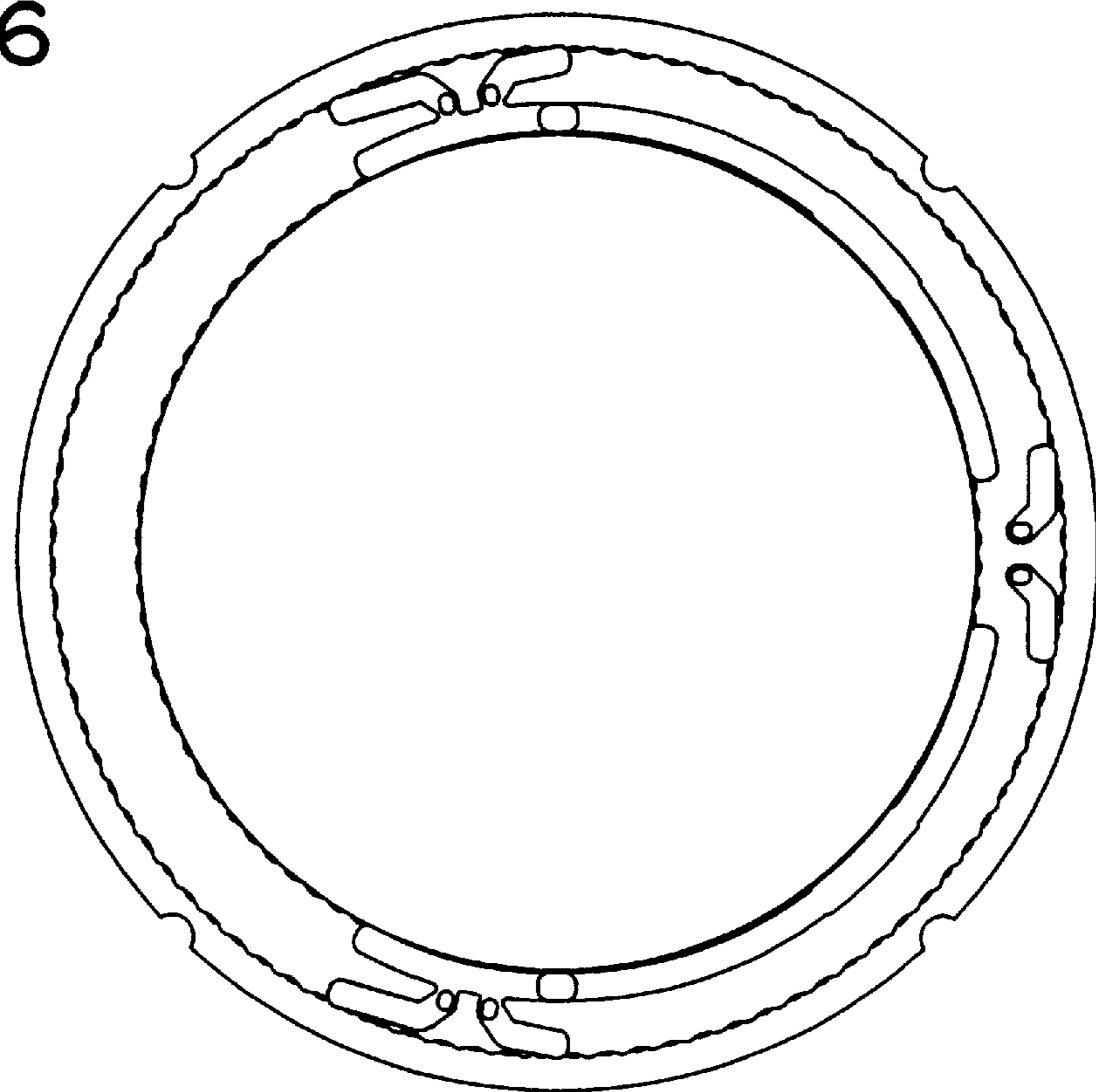


FIG. 7

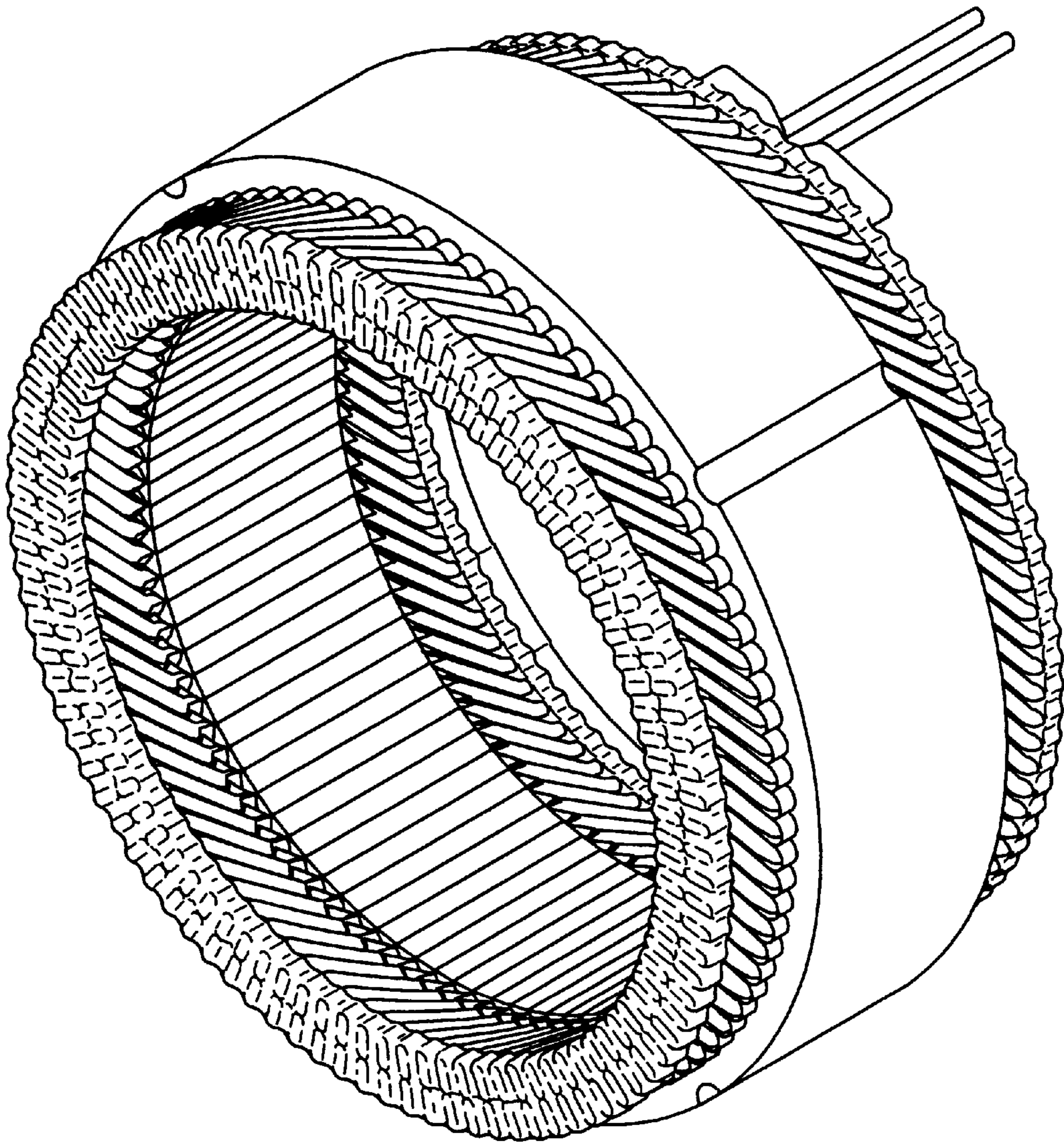


FIG. 9

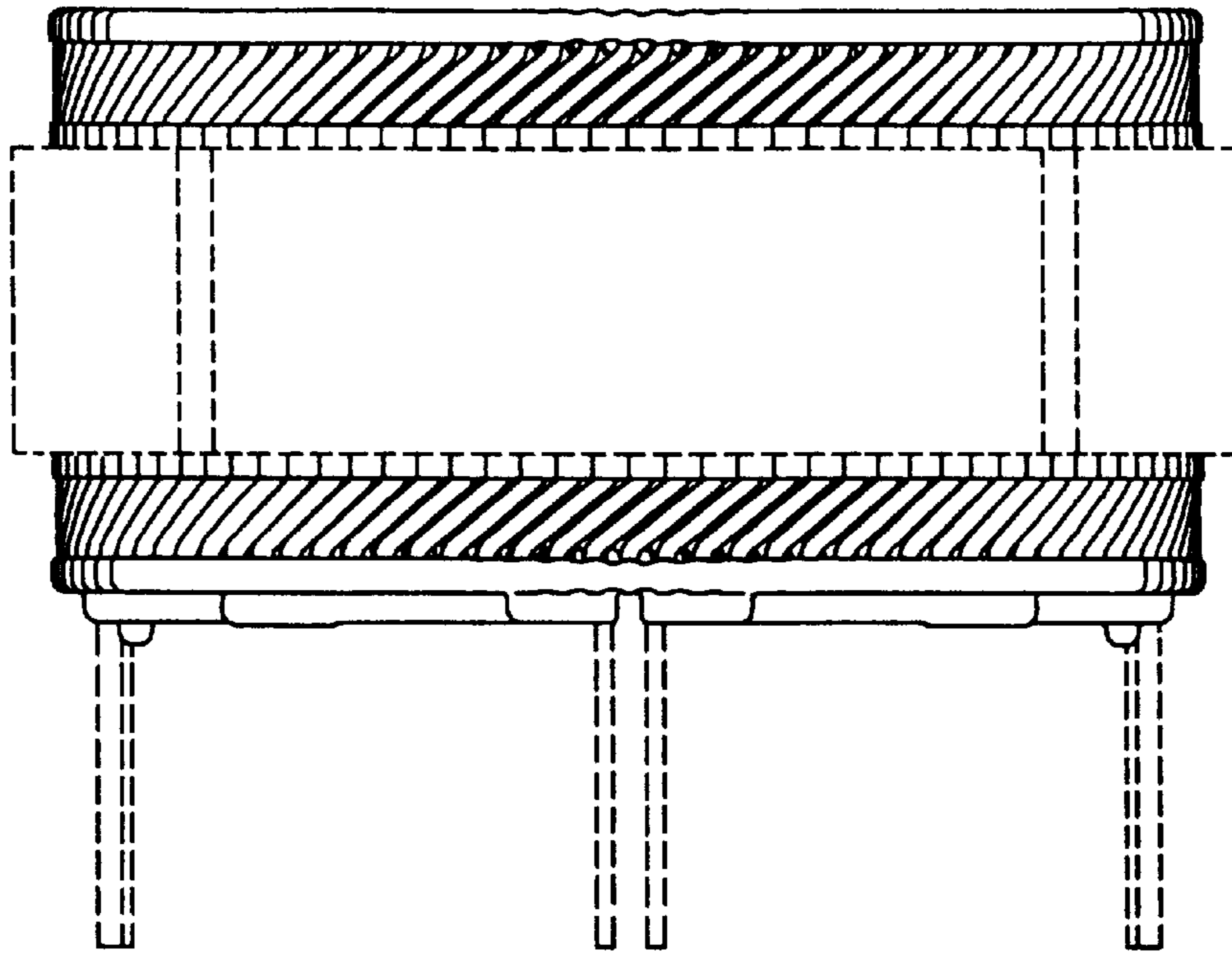


FIG. 8

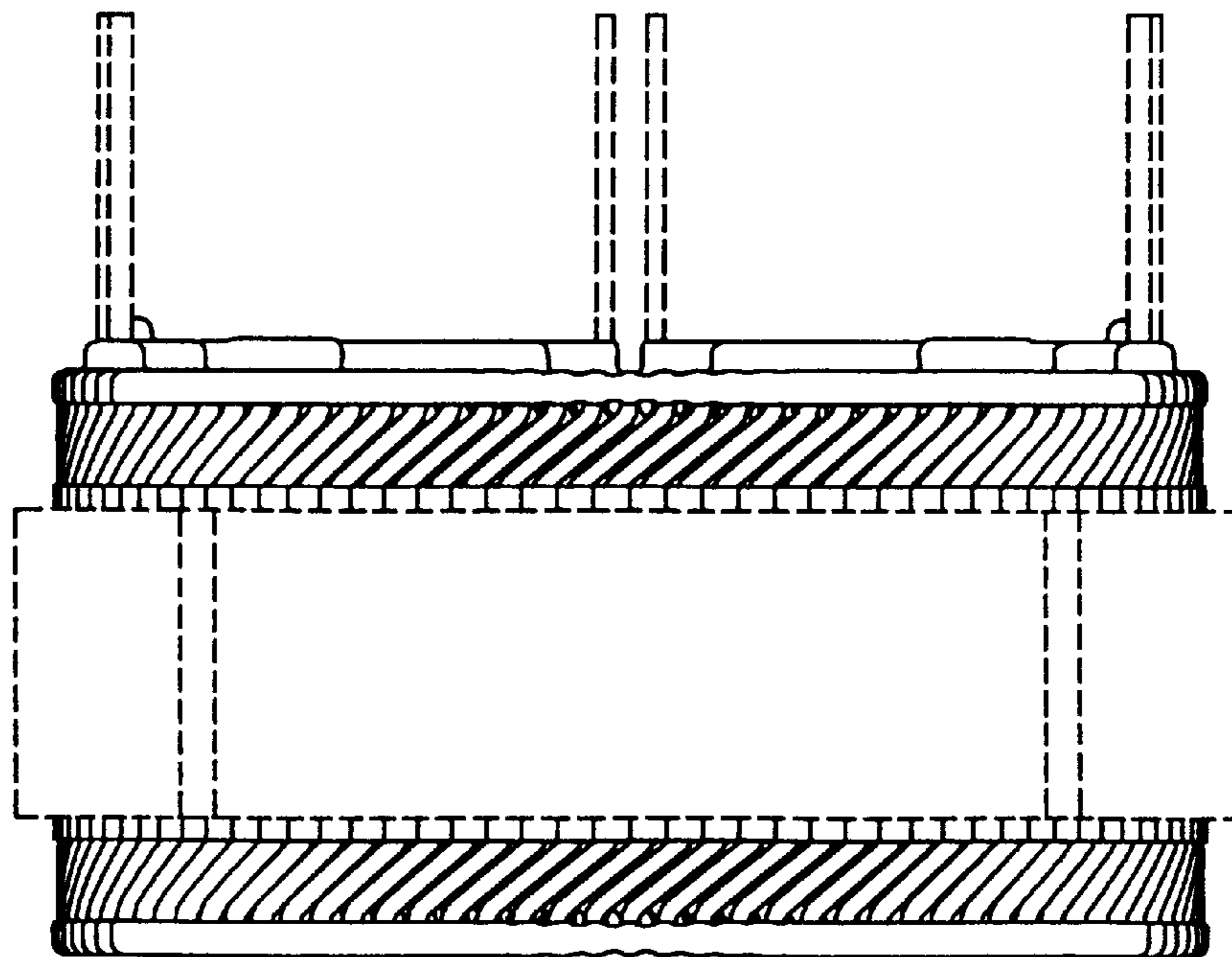


FIG. 11

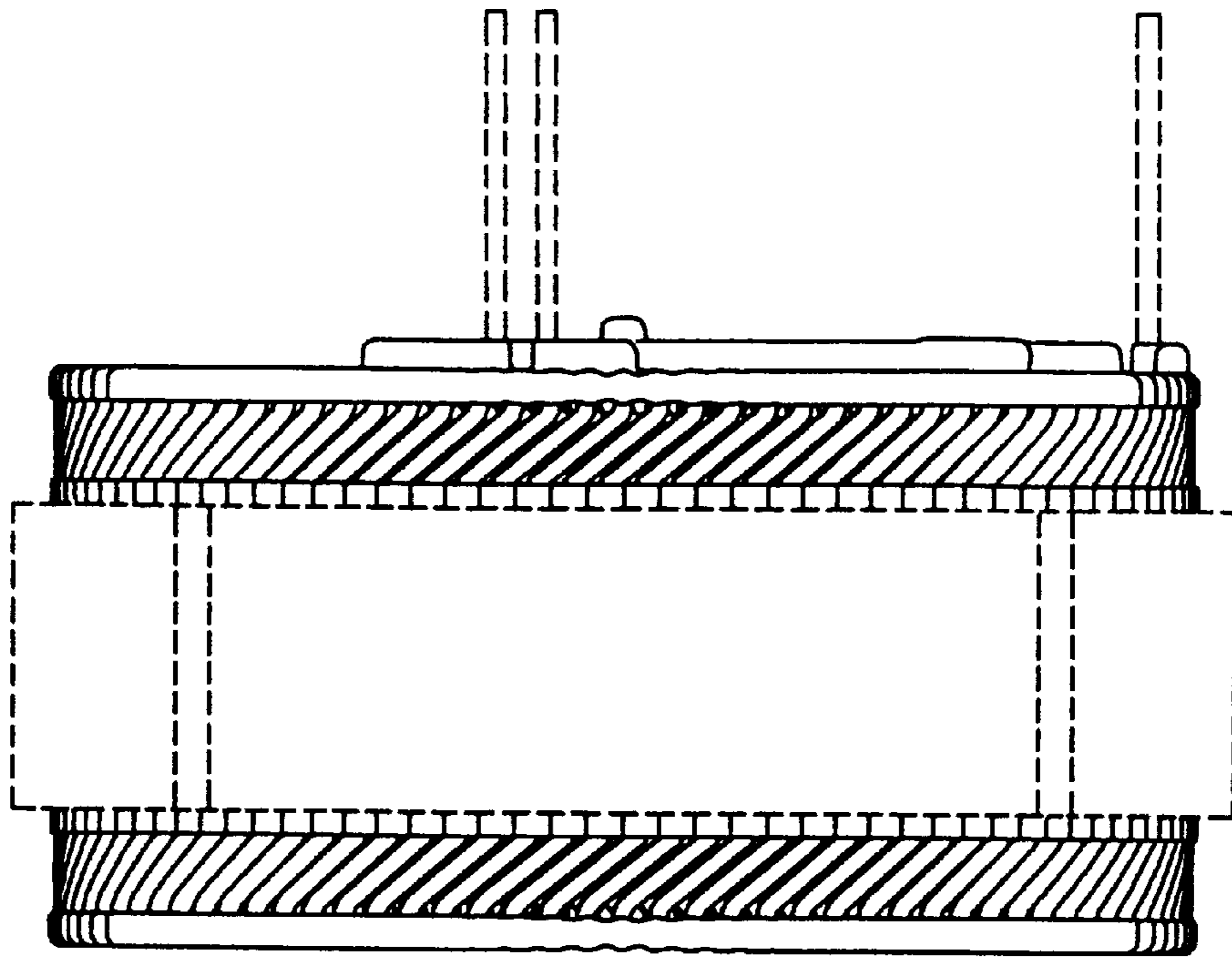


FIG. 10

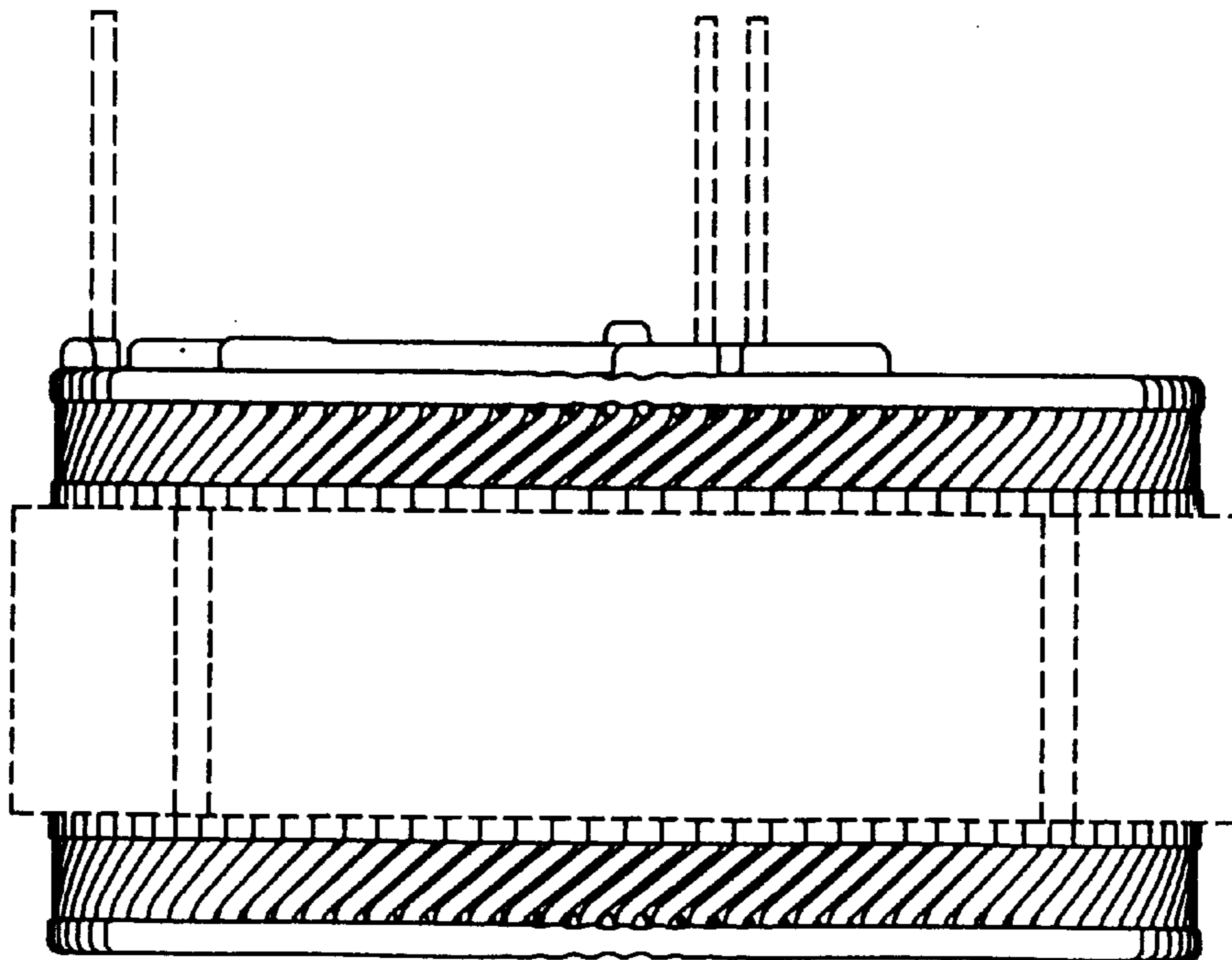


FIG. 12

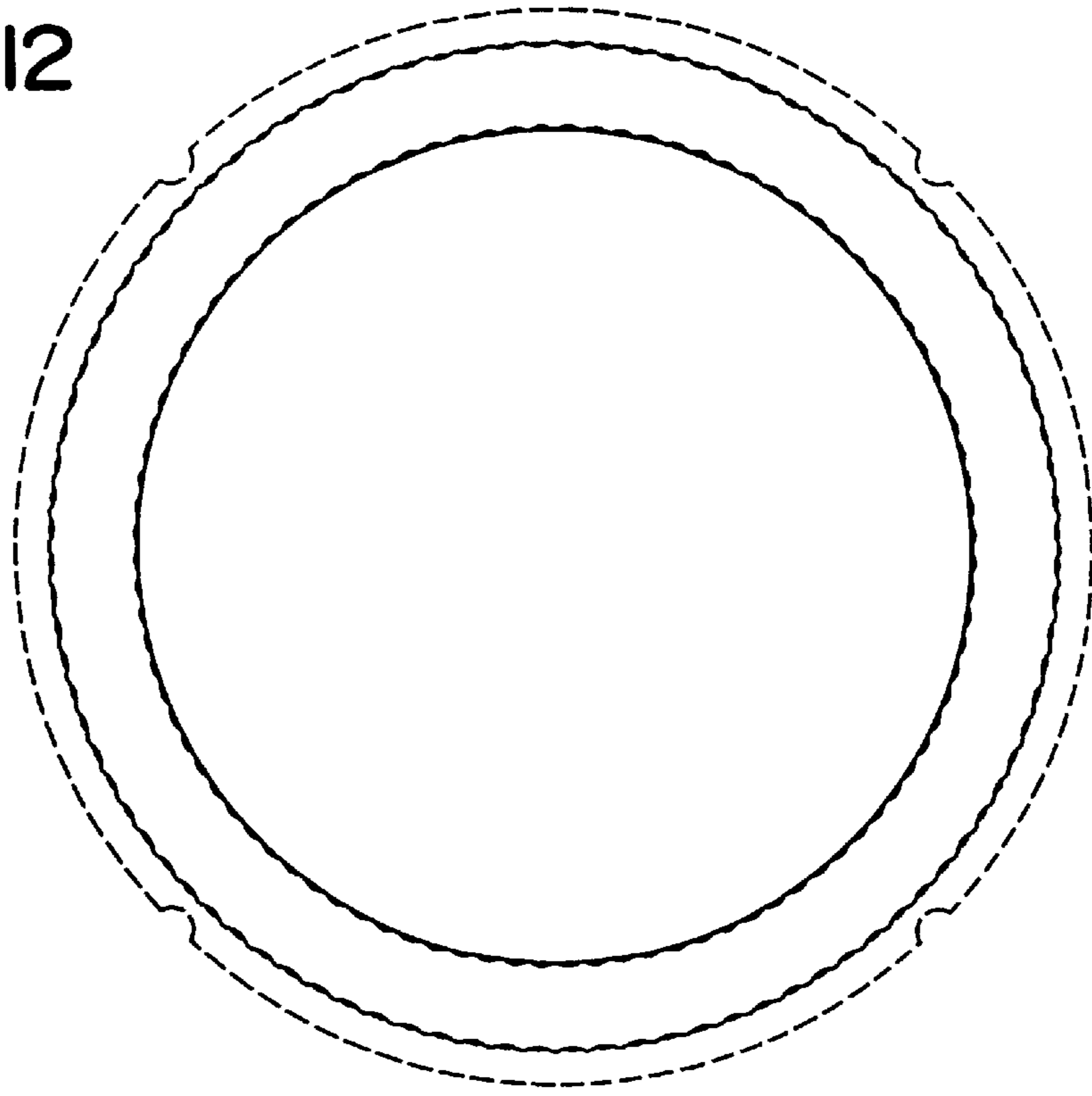


FIG. 13

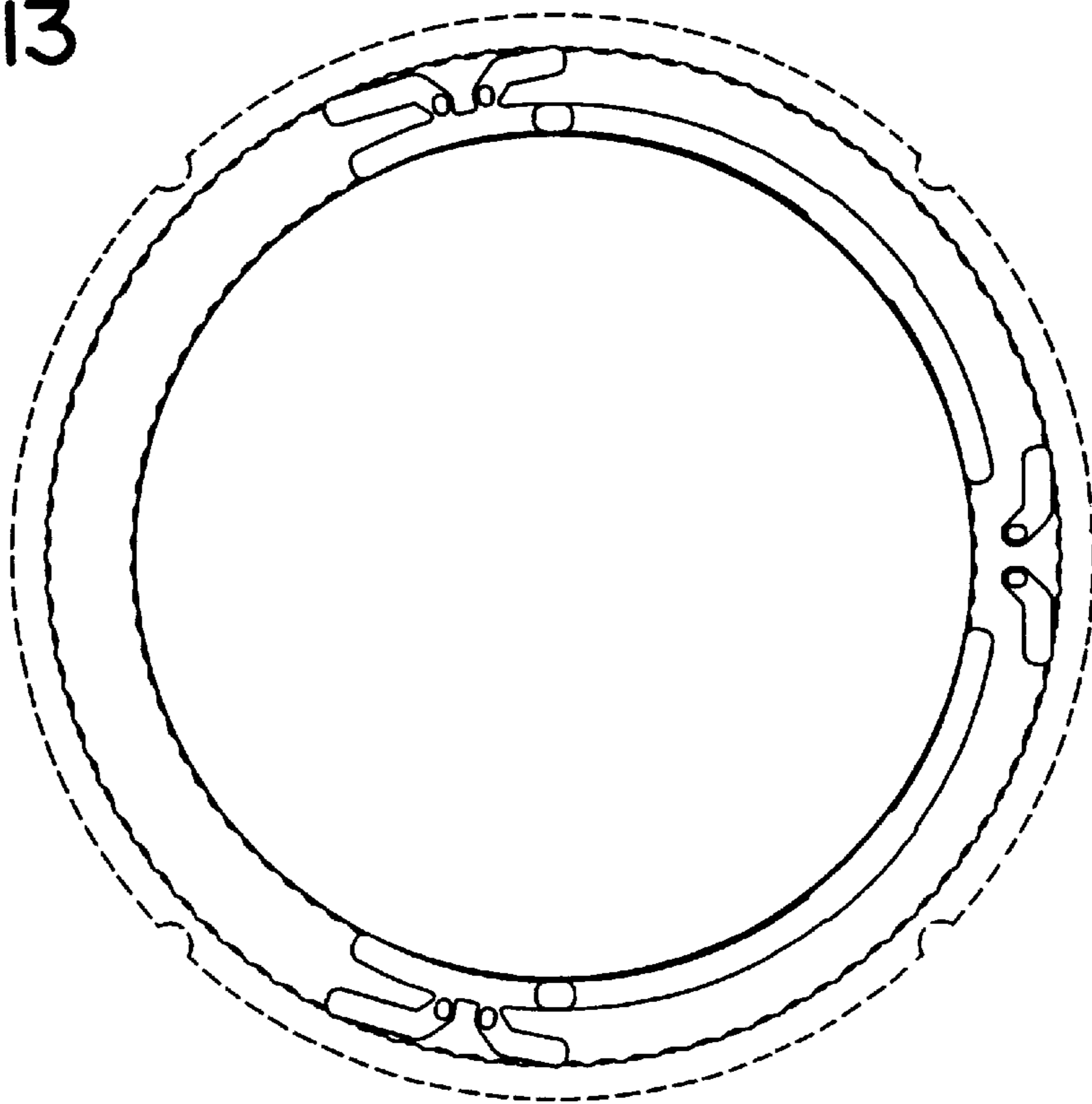


FIG. 14

