



US00D425849S

# United States Patent [19] Chung

[11] Patent Number: Des. 425,849

[45] Date of Patent: \*\* May 30, 2000

[54] AUTOMOTIVE WHEEL

[75] Inventor: Suny Chung, Placentia, Calif.

[73] Assignee: DM Tech America, Inc., Cerritos, Calif.

[\*\*] Term: 14 Years

[21] Appl. No.: 29/108,781

[22] Filed: Aug. 4, 1999

[51] LOC (7) Cl. .... 12-16

[52] U.S. Cl. .... D12/209

[58] Field of Search ..... D12/204-213;  
301/64.1, 65, 37.1

D. 408,346	4/1999	Goplen	.....	D12/211
D. 408,777	4/1999	Chung	.....	D12/211
D. 409,132	5/1999	Cullen	.....	D12/211
D. 409,548	5/1999	Chung	.....	D12/209
D. 409,549	5/1999	Chung	.....	D12/209
D. 409,967	5/1999	Chung	.....	D12/209
D. 409,968	5/1999	Goplen	.....	D12/211
D. 411,502	6/1999	Chung	.....	D12/211
D. 412,309	7/1999	Stacy	.....	D12/209
D. 413,853	9/1999	Hale, Jr.	.....	D12/211

Primary Examiner—Doris V. Coles  
Assistant Examiner—Stacia Cadmus  
Attorney, Agent, or Firm—G. Donald Weber, Jr.

### [57] CLAIM

The ornamental design for an automotive wheel, as shown and described.

### [56] References Cited

#### U.S. PATENT DOCUMENTS

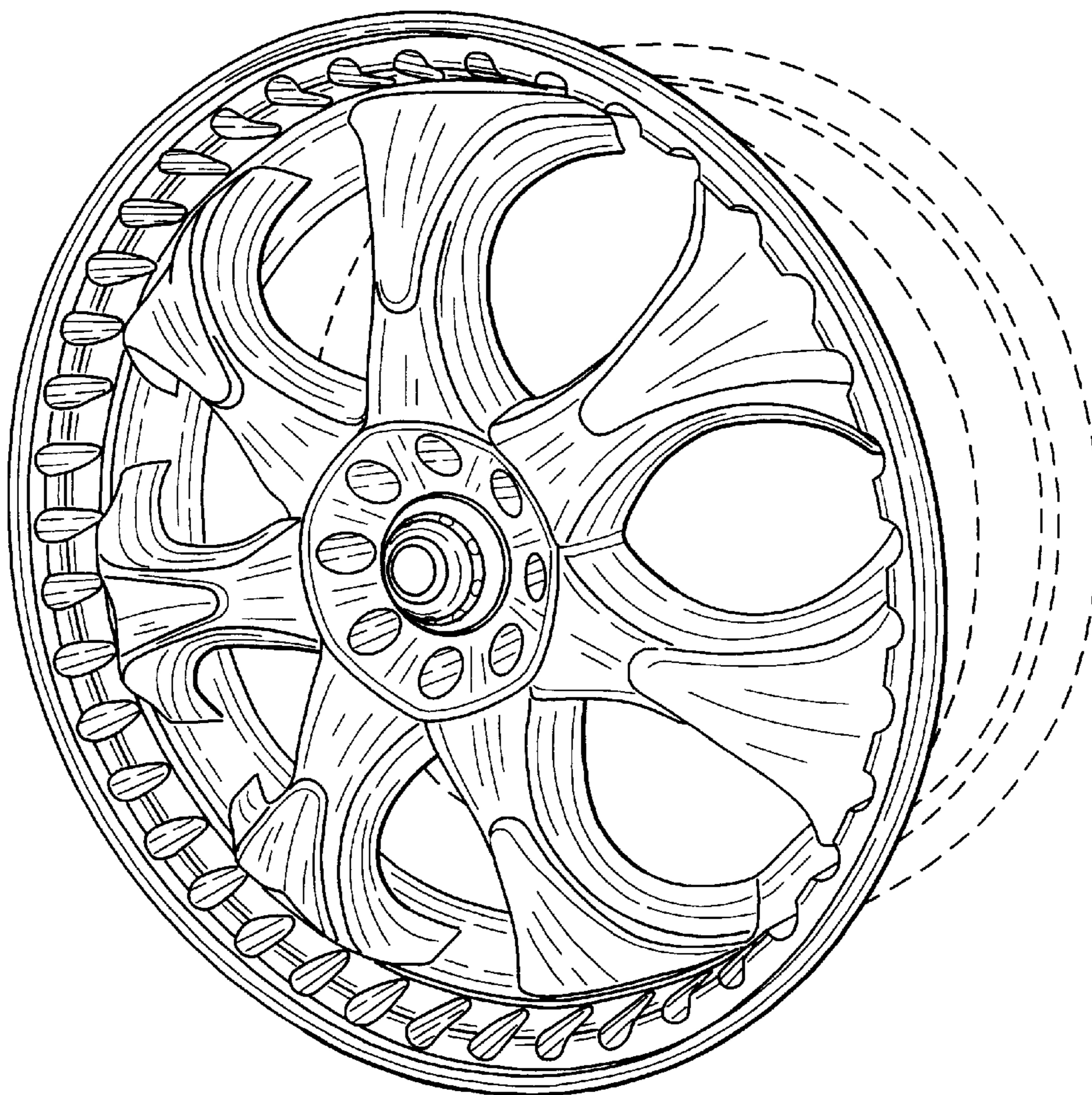
D. 84,322	6/1931	Beutke et al.	.....	D12/211
D. 352,688	11/1994	Boselli	.....	D12/211
D. 388,045	12/1997	Sakagami et al.	.....	D12/209
D. 396,208	7/1998	Baumgartner et al.	.....	D12/211
D. 403,649	1/1999	Moreno	.....	D12/211
D. 405,749	2/1999	Kulla	.....	D12/211
D. 407,681	4/1999	Sacco et al.	.....	D12/209

### DESCRIPTION

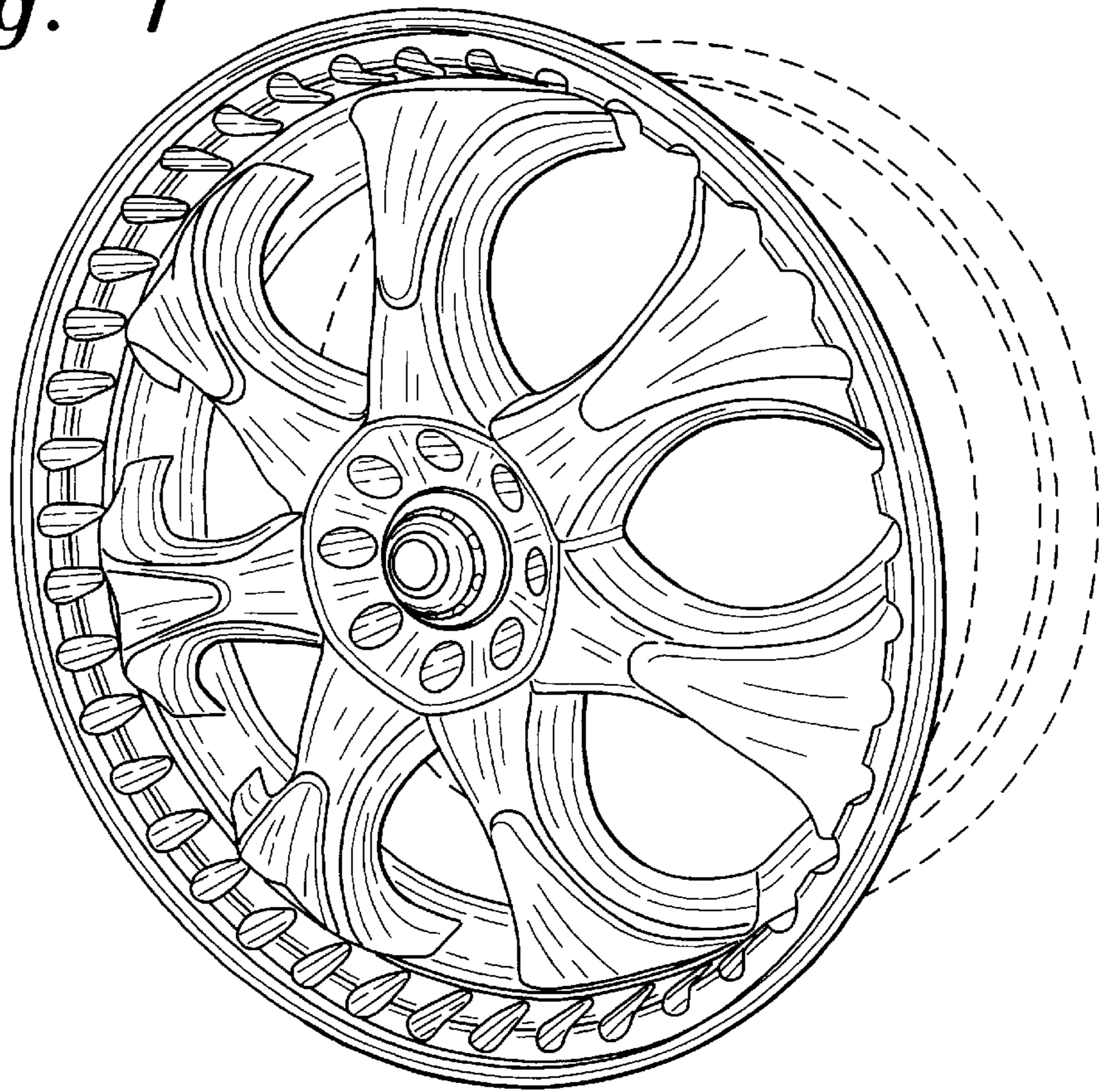
FIG. 1 is an oblique view of the automotive wheel of the instant invention; and, FIG. 2 is a front view of the automotive wheel of the instant invention.

The broken line showing of environment is for illustrative purposes only and forms no part of the claimed design.

1 Claim, 1 Drawing Sheet



*Fig. 1*



*Fig. 2*

