



US00D425846S

United States Patent [19]

Kawaoka

[11] **Patent Number: Des. 425,846**

[45] **Date of Patent: ** May 30, 2000**

[54] **SIDE WALL PORTION OF MOTOR VEHICLE**

[75] Inventor: **Norihiko Kawaoka**, Hiroshima-ken, Japan

[73] Assignee: **Mazda Motor Corporation**, Hiroshima, Japan

[**] Term: **14 Years**

[21] Appl. No.: **29/108,060**

[22] Filed: **Jul. 21, 1999**

[30] **Foreign Application Priority Data**

Feb. 26, 1999 [JP] Japan 11-4747

[51] **LOC (7) Cl.** **12-16**

[52] **U.S. Cl.** **D12/196; D12/91**

[58] **Field of Search** **D12/196, 86, 90-92; 296/185**

[56] **References Cited**

U.S. PATENT DOCUMENTS

D. 389,783 1/1998 Tomforde et al. D12/91

D. 398,263 9/1998 McGovern D12/92
D. 408,330 4/1999 Hsu et al. D12/92
D. 414,736 10/1999 David D12/196

Primary Examiner—Melody N. Brown
Attorney, Agent, or Firm—Nixon Peabody LLP; Donald R. Studebaker

[57] **CLAIM**

The ornamental design for a side wall portion of motor vehicle, as shown and described.

DESCRIPTION

FIG. 1 is a front perspective view of side wall portion of motor vehicle;
FIG. 2 is a rear perspective view thereof;
FIG. 3 is a front view thereof;
FIG. 4 is a rear view thereof;
FIG. 5 is a left side view thereof;
FIG. 6 is a right side view thereof; and,
FIG. 7 is a top view thereof.

The portion shown in broken lines is for illustrative purpose only and forms no part of the claimed design.

1 Claim, 6 Drawing Sheets

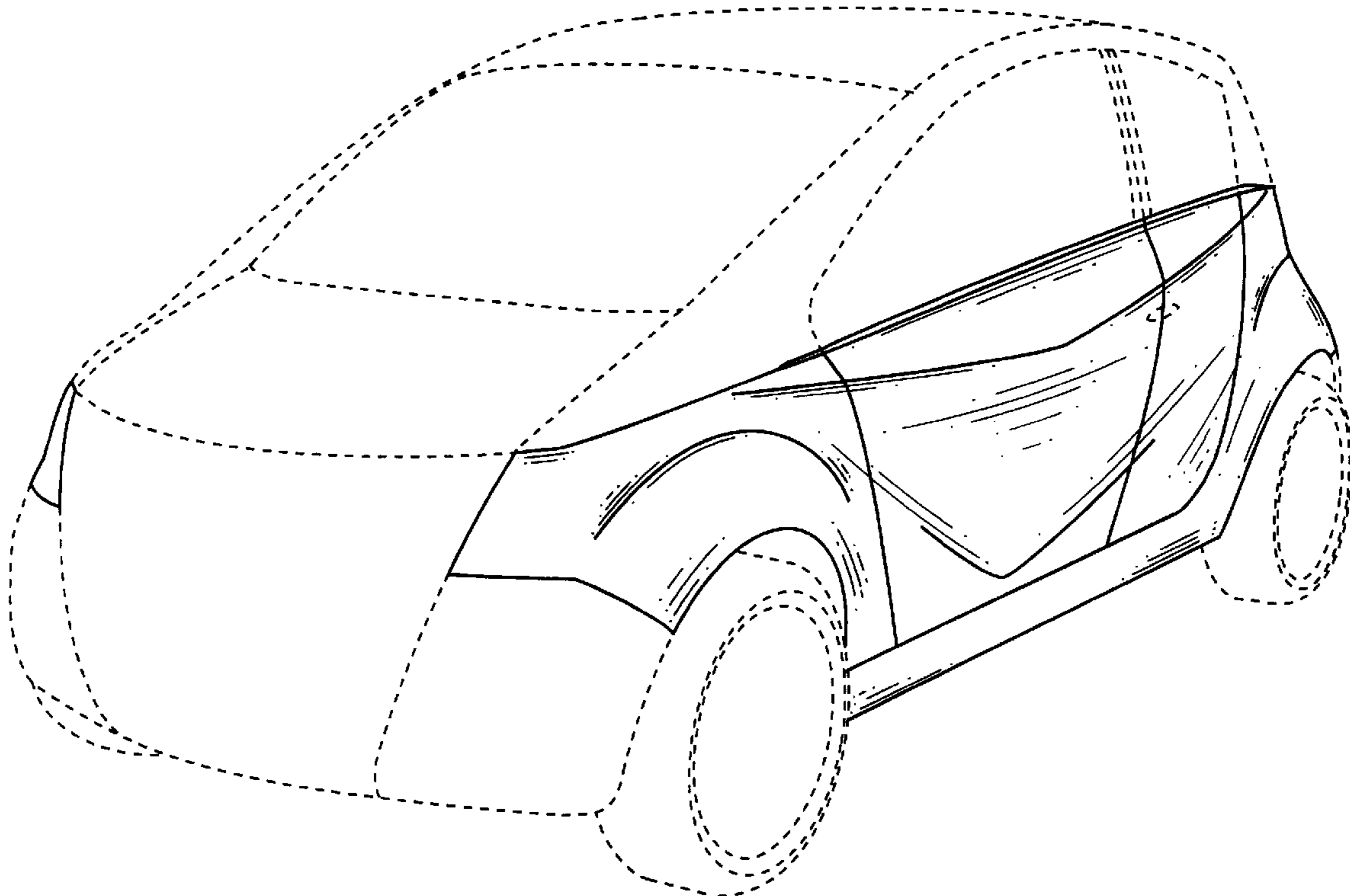


FIG. 1

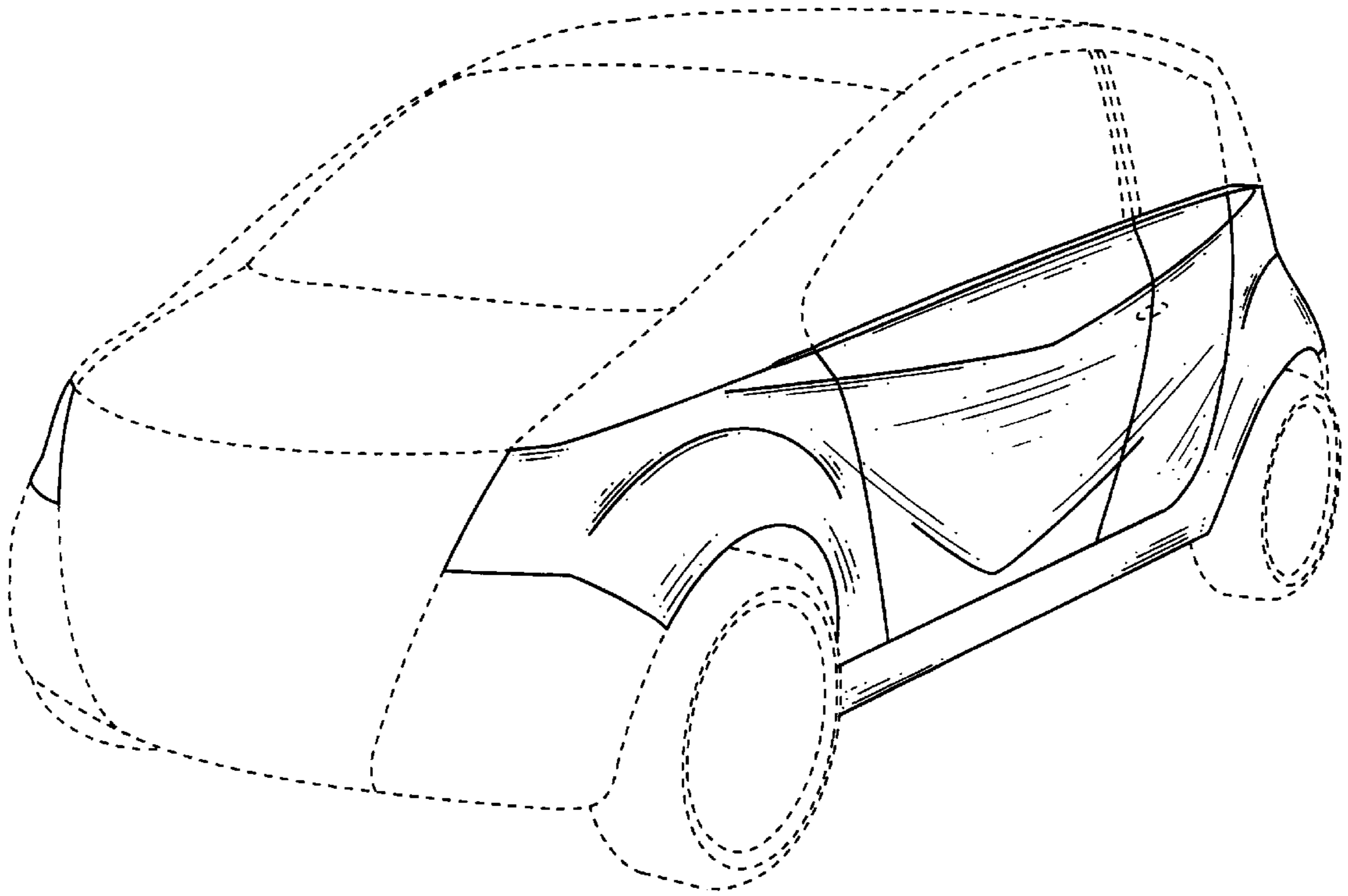


FIG. 2

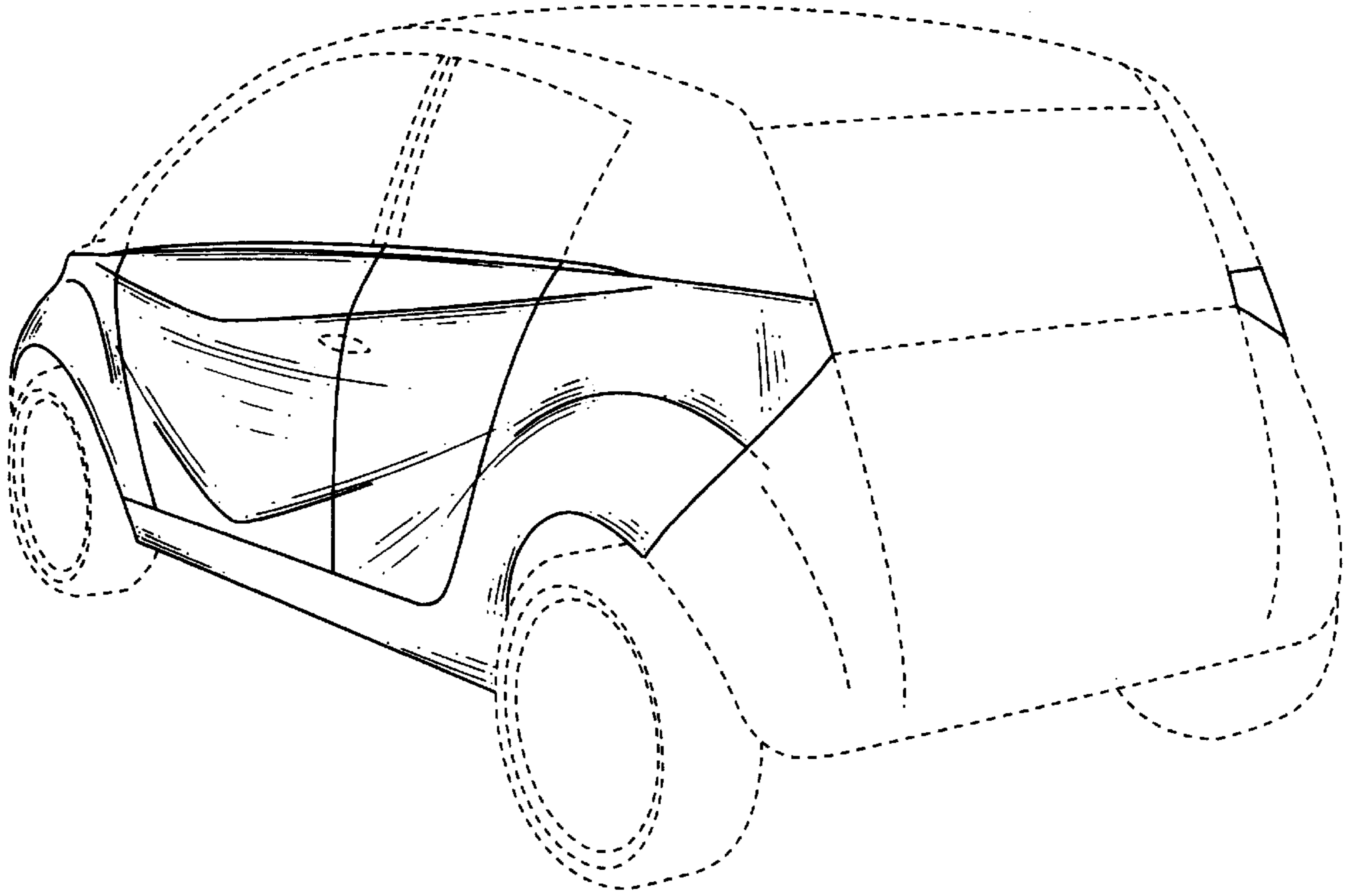


FIG. 3

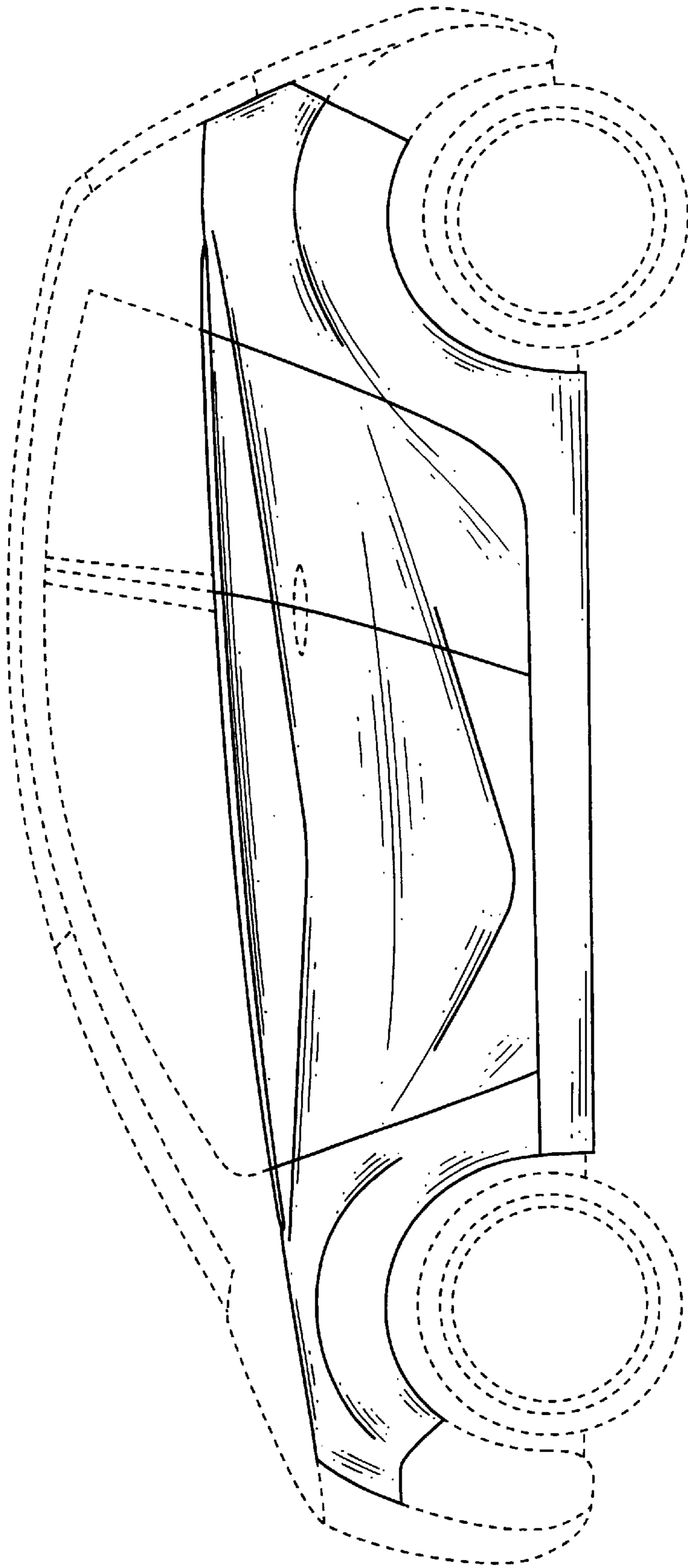


FIG. 4

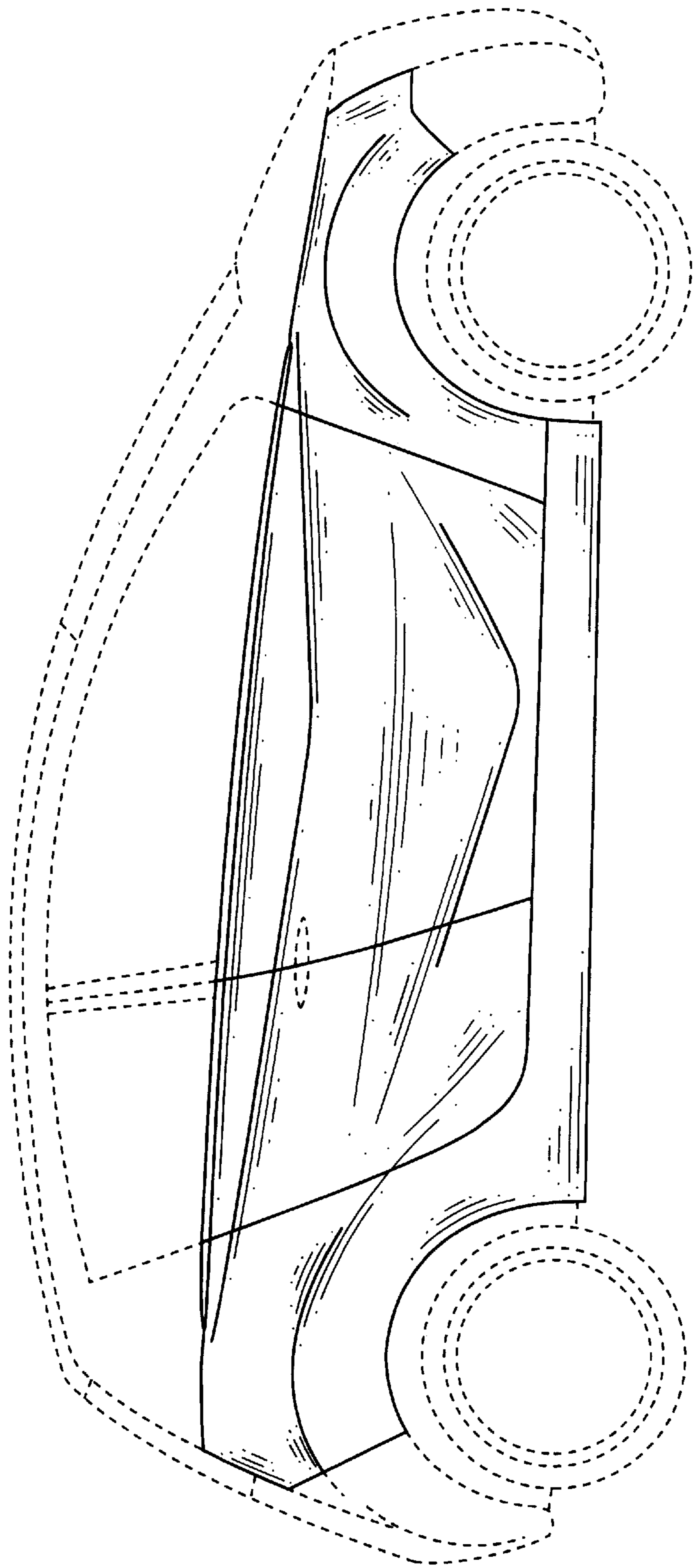


FIG. 5

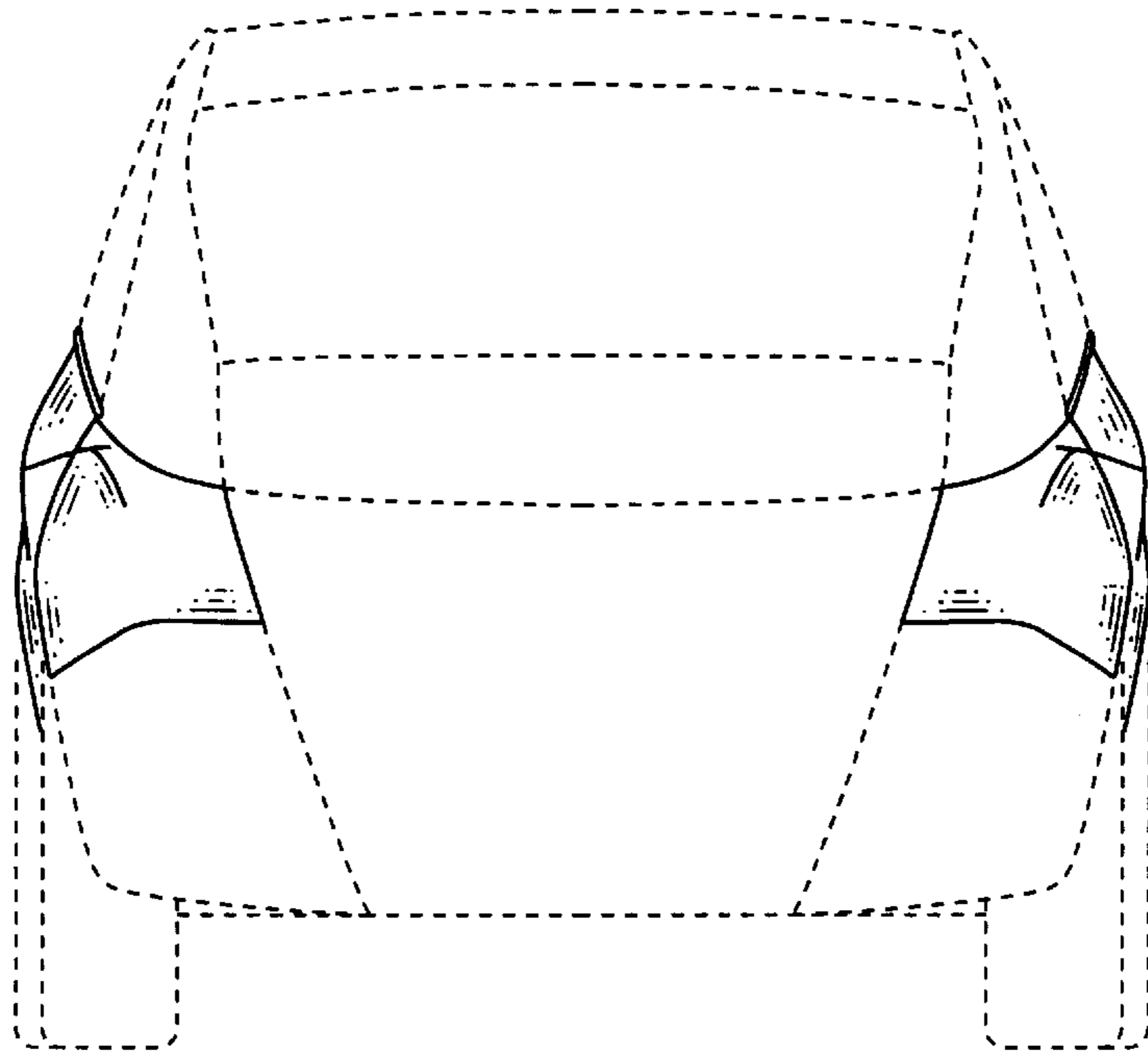


FIG. 6

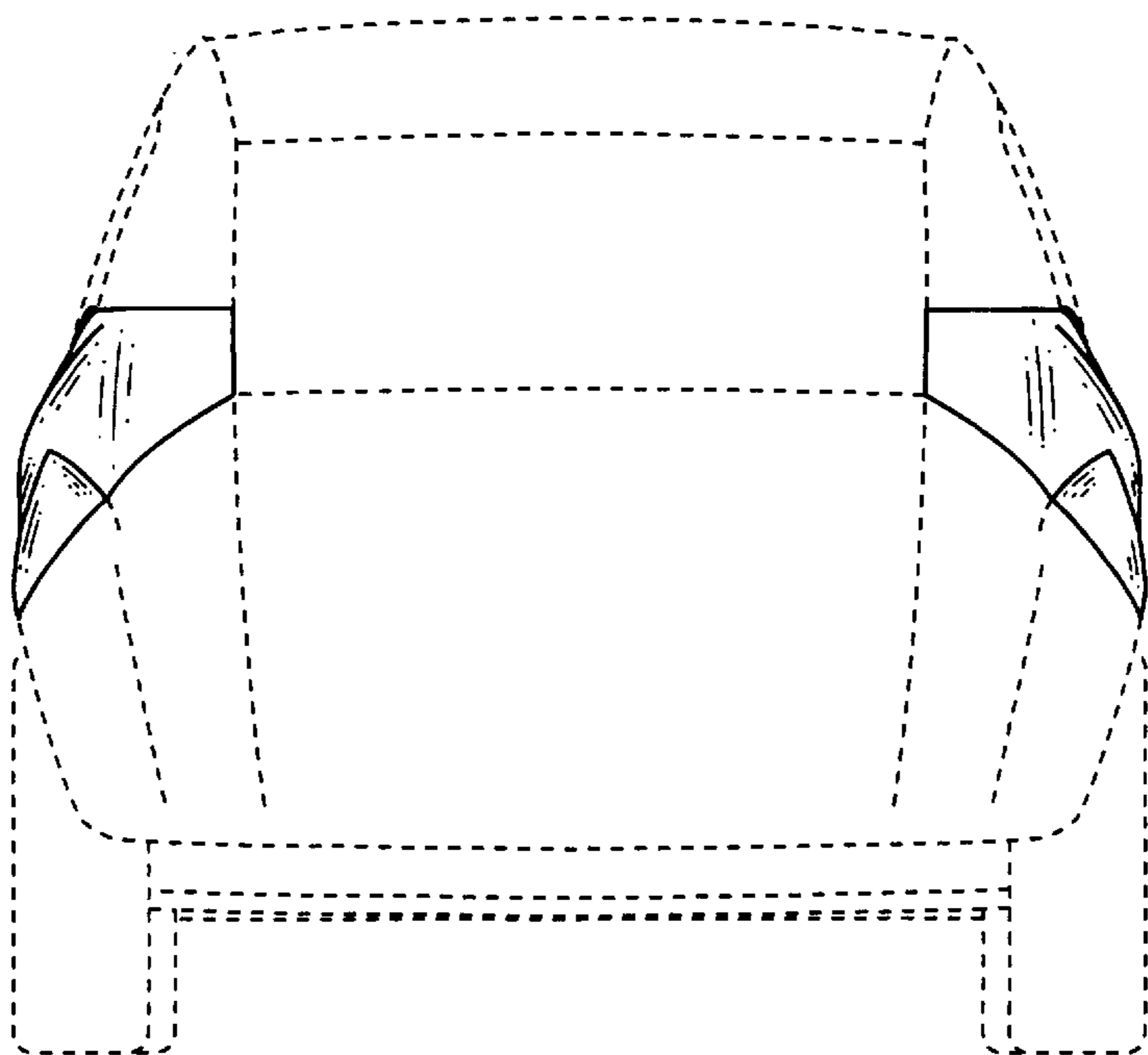


FIG. 7

