



US00D425844S

United States Patent [19]

[11] **Patent Number: Des. 425,844**

Toyoda

[45] **Date of Patent: ** May 30, 2000**

[54] **FRONT PORTION OF A MOTOR VEHICLE**

[57] **CLAIM**

[75] Inventor: **Tsuyoshi Toyoda**, Aki-gun, Japan

The ornamental design for a front portion of a motor vehicle, as shown and described.

[73] Assignee: **Mazda Motor Corporation**, Hiroshima-Ken, Japan

DESCRIPTION

[**] Term: **14 Years**

FIG. 1 is a perspective view of a front portion of a motor vehicle showing a first embodiment of my new design;

[21] Appl. No.: **29/097,178**

FIG. 2 is a front view thereof;

[22] Filed: **Nov. 30, 1998**

FIG. 3 is a rear view of thereof;

[51] **LOC (7) Cl.** **12-16**

FIG. 4 is a right side view thereof;

[52] **U.S. Cl.** **D12/196**

FIG. 5 is a left side view thereof;

[58] **Field of Search** D12/196, 90-92;
296/185

FIG. 6 is a top view thereof;

FIG. 7 is a perspective view of a front portion showing a second embodiment of my new design;

[56] **References Cited**

FIG. 8 is a front view thereof;

U.S. PATENT DOCUMENTS

FIG. 9 is a rear view thereof;

D. 381,939 8/1997 Yex et al. D12/92

FIG. 10 is a right side view thereof;

D. 402,232 12/1998 Hayachi et al. D12/92

FIG. 11 is a left side view thereof; and,

D. 407,349 3/1999 Murakami et al. D12/91

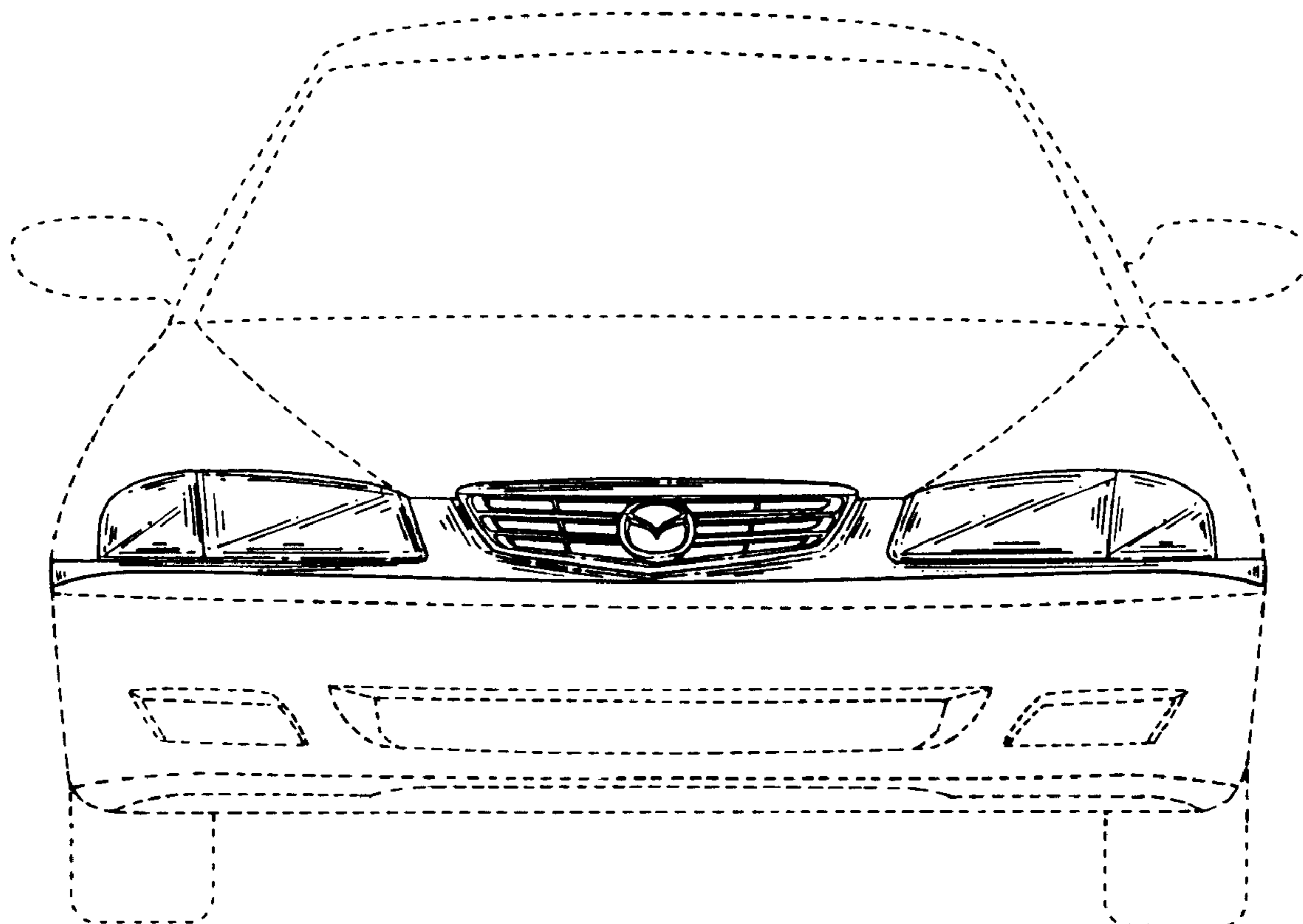
FIG. 12 is a top view thereof.

D. 407,350 3/1999 Crain D12/92

The portion of the motor vehicle shown in broken lines is for illustrative purpose only and forms no part of the claimed design.

Primary Examiner—Melody N. Brown
Attorney, Agent, or Firm—Sidley & Austin; Hugh A. Abrams

1 Claim, 10 Drawing Sheets



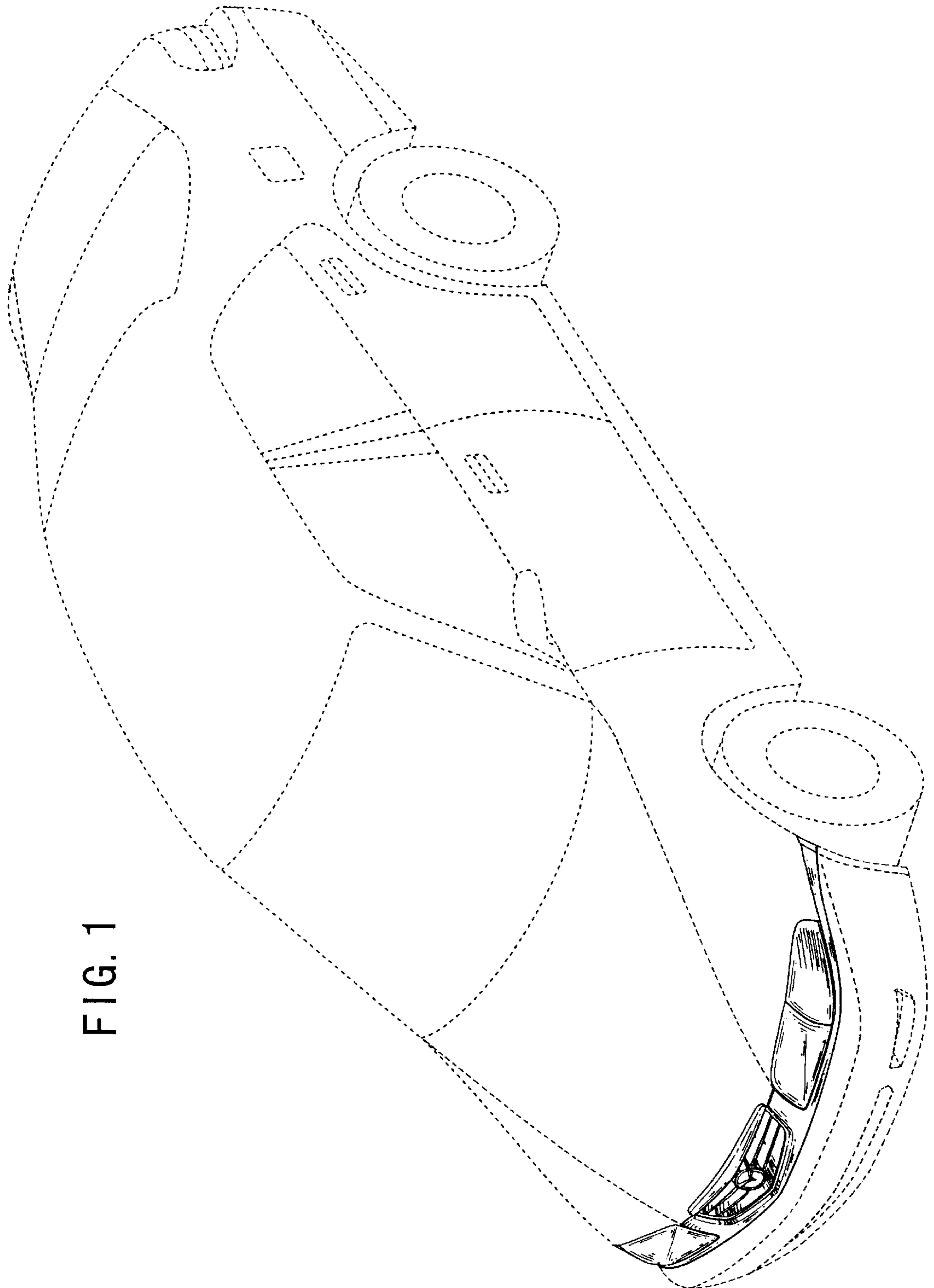


FIG. 1

FIG. 2

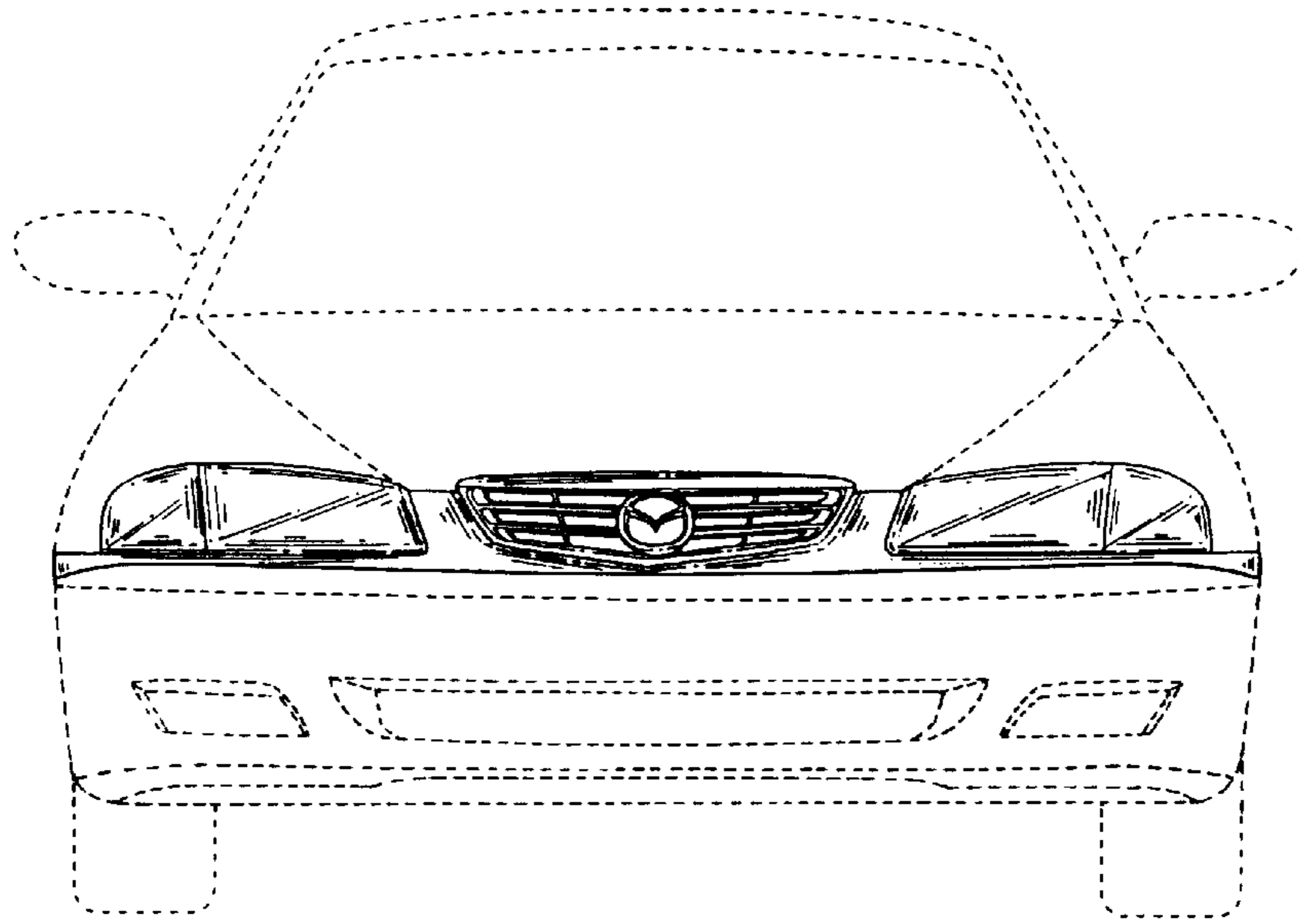


FIG. 3

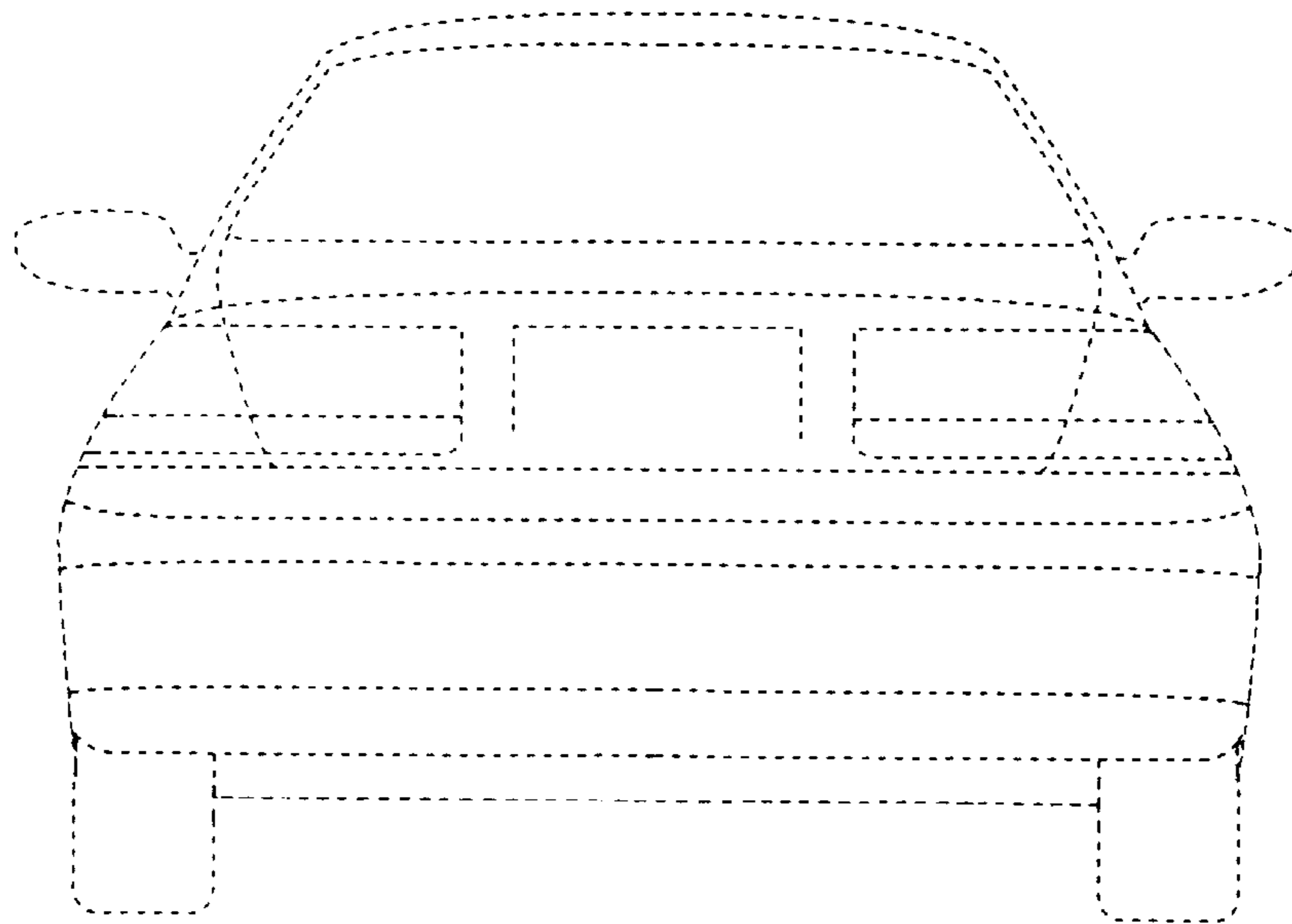


FIG. 4

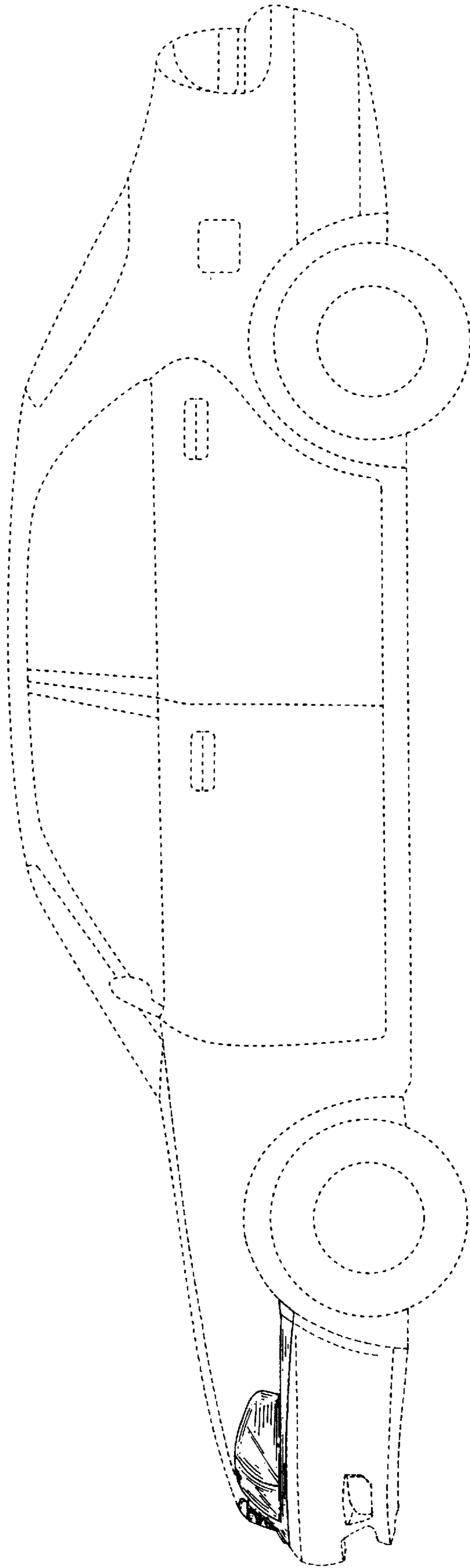


FIG. 5

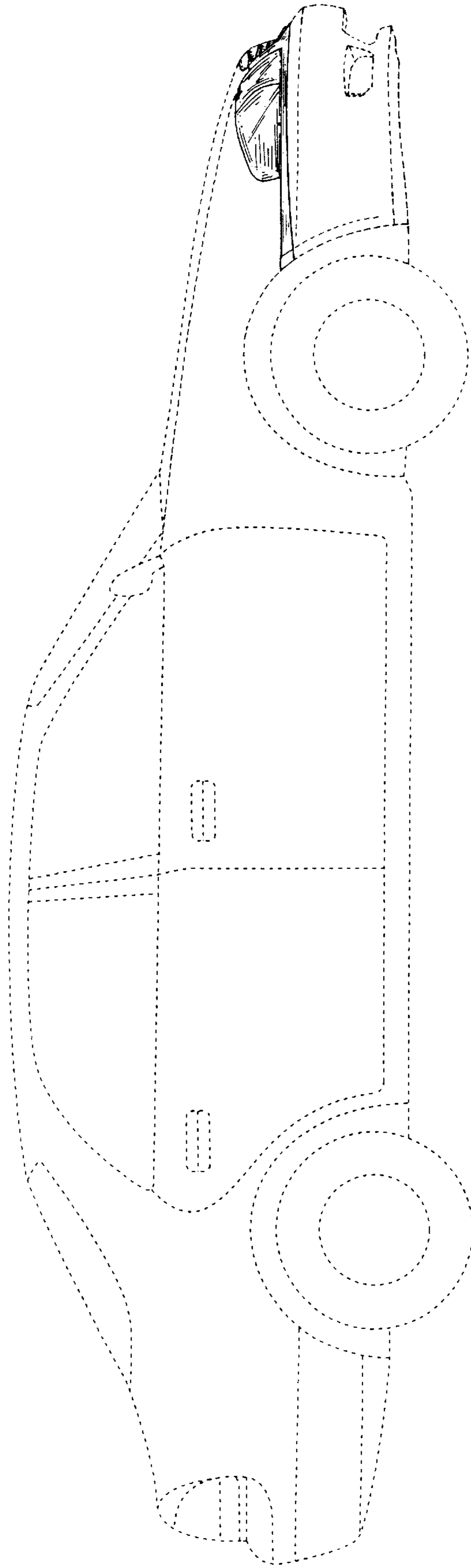
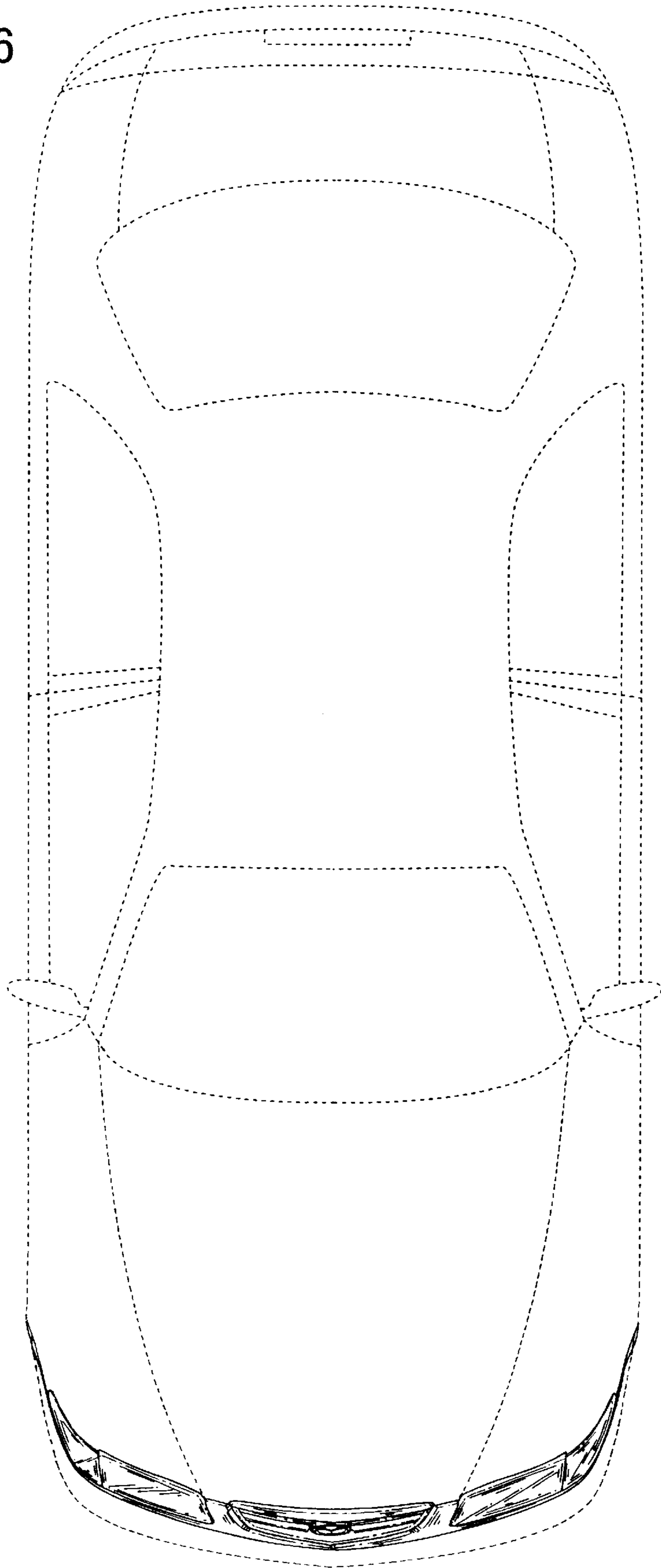


FIG. 6



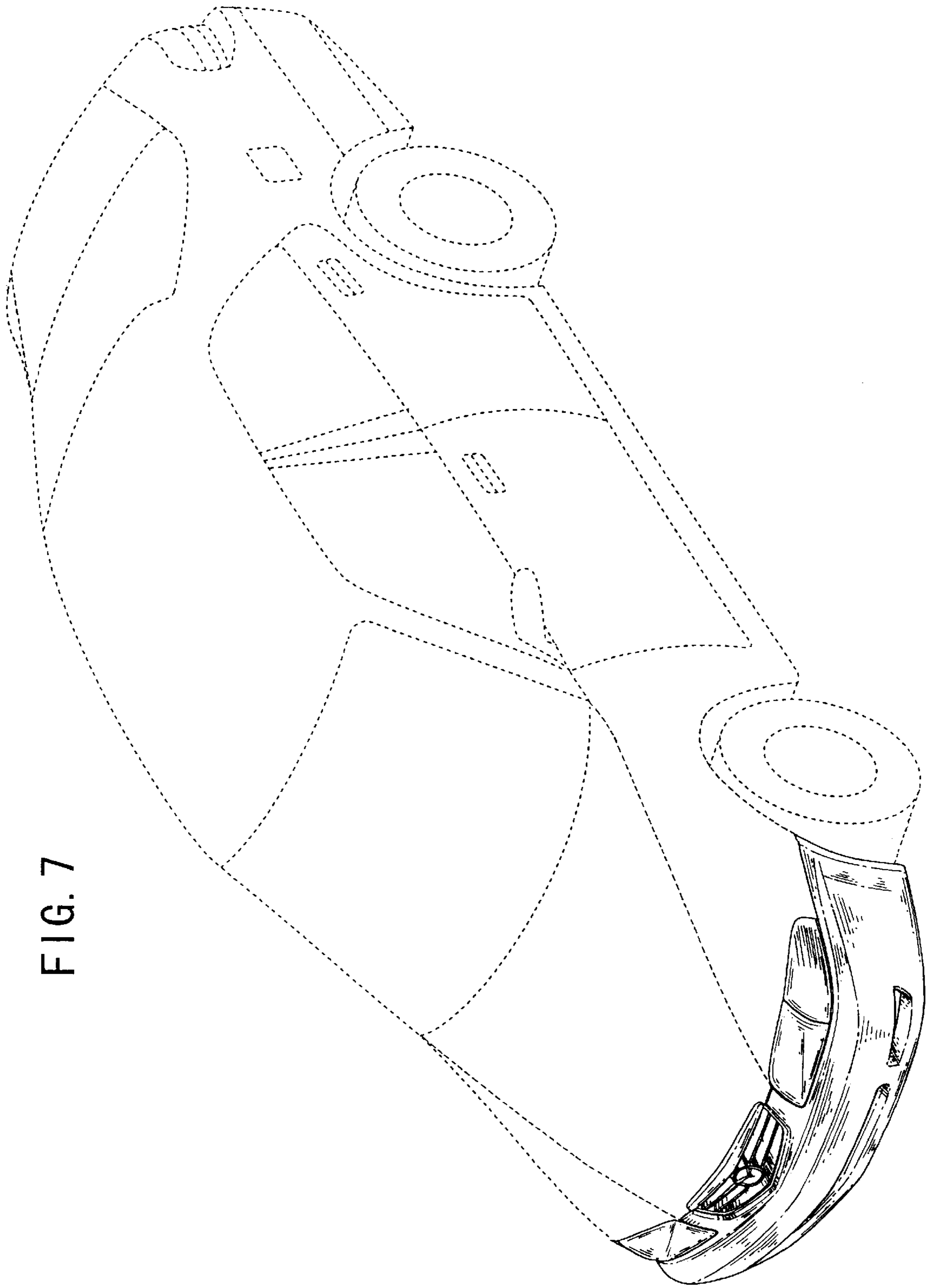


FIG. 7

FIG. 8

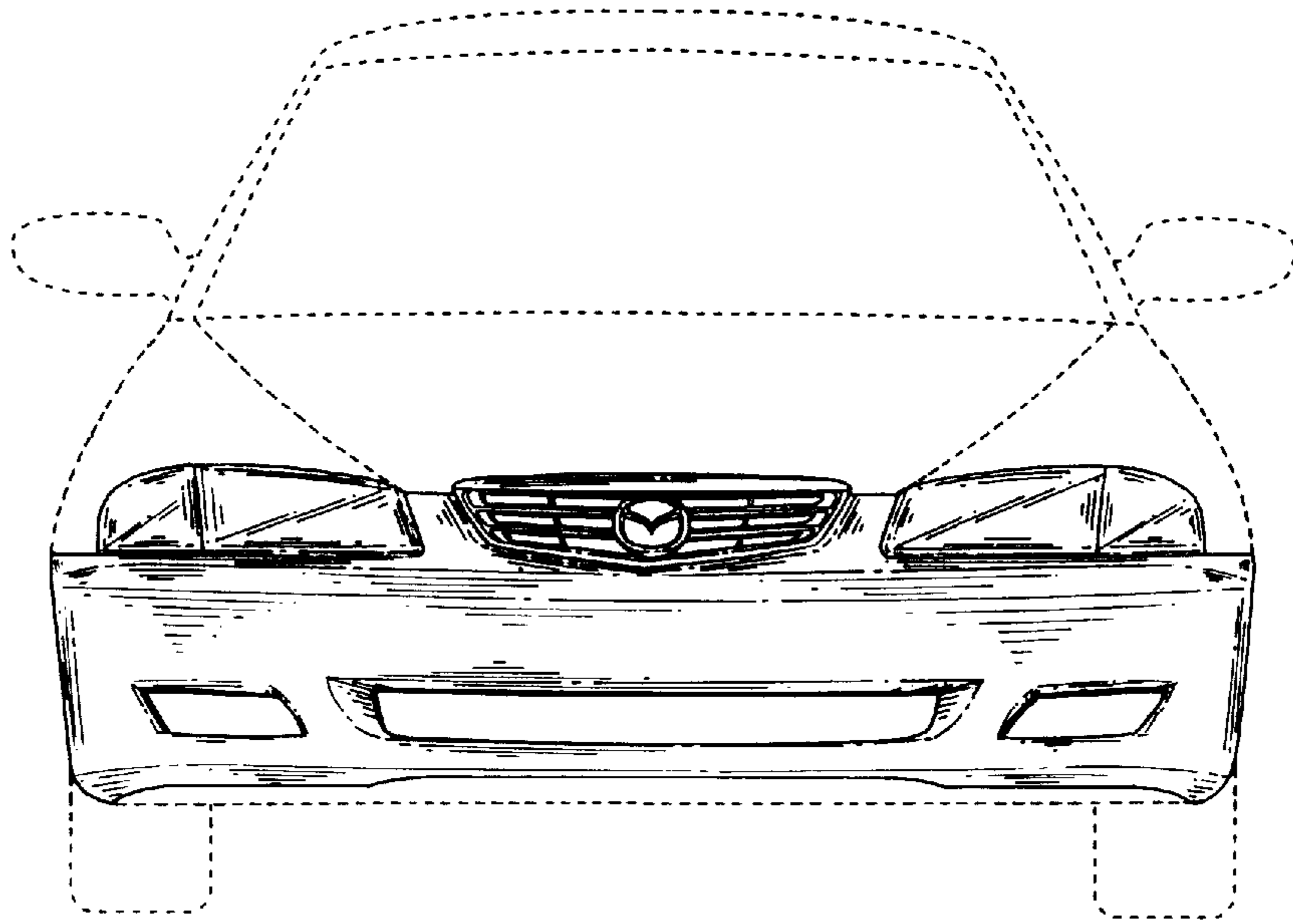


FIG. 9

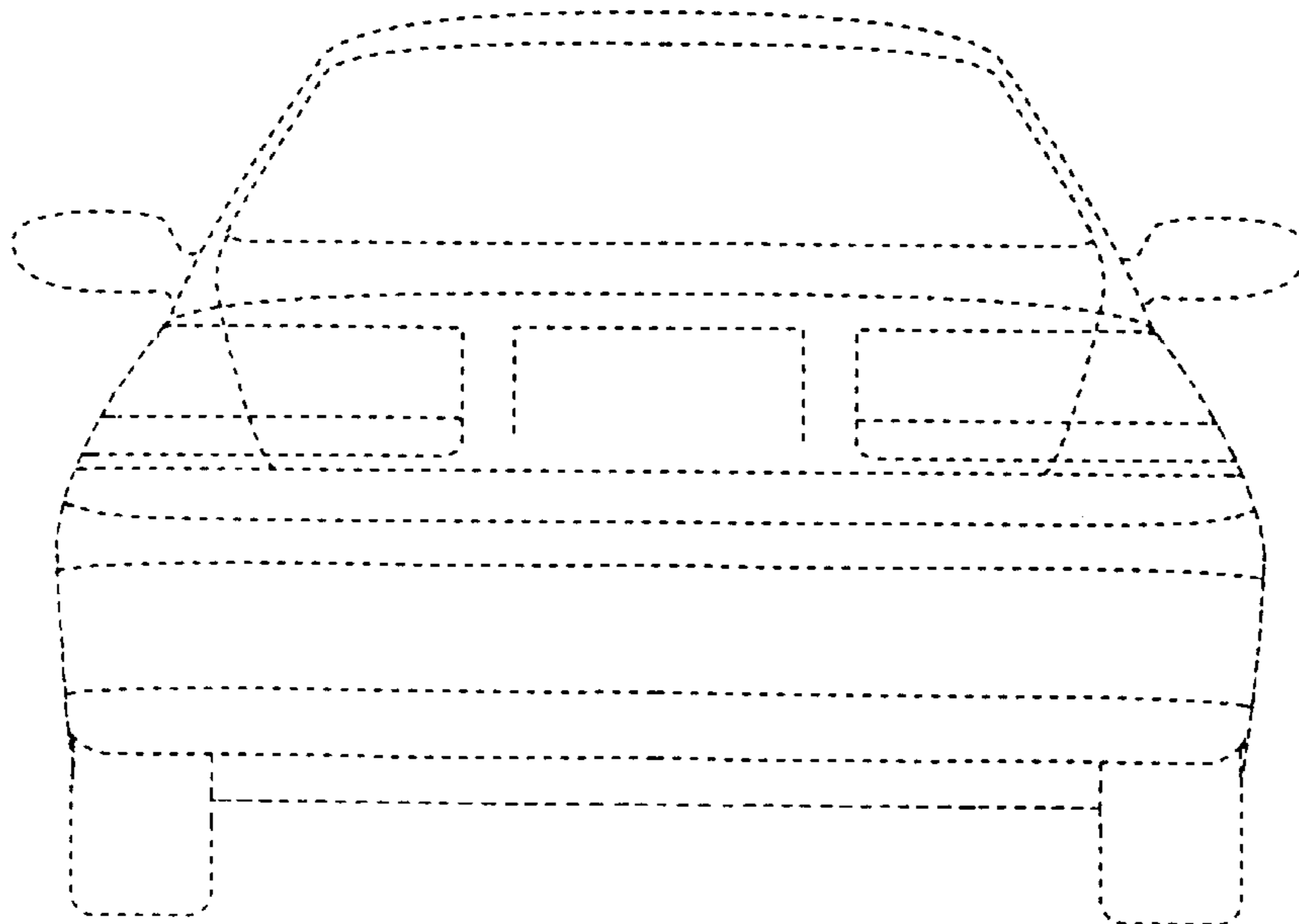


FIG. 10

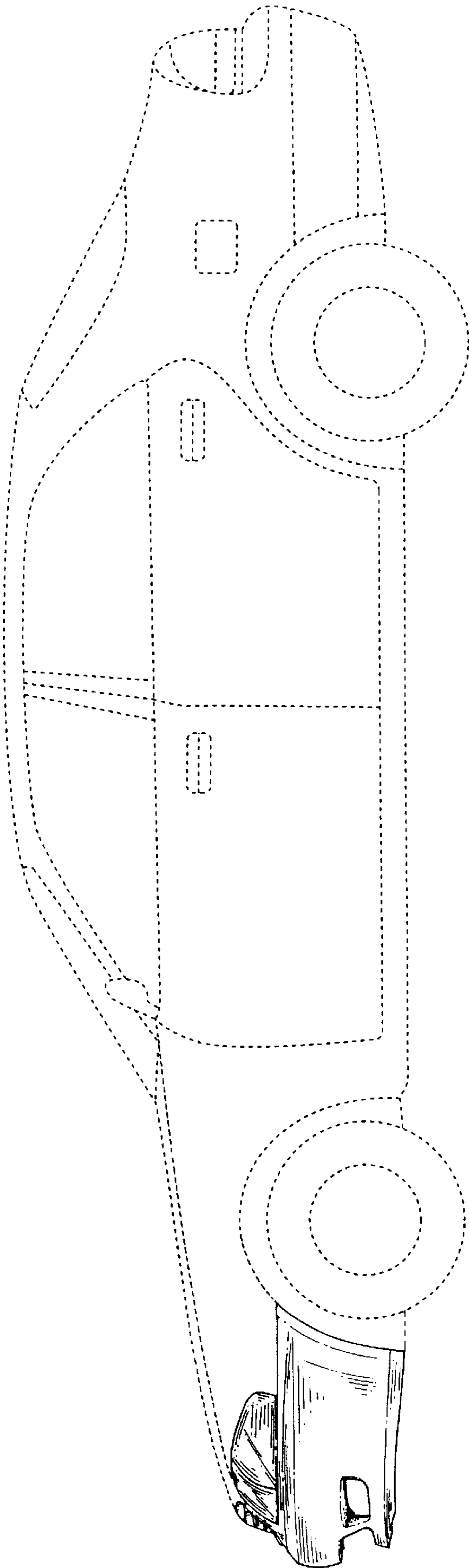


FIG. 11

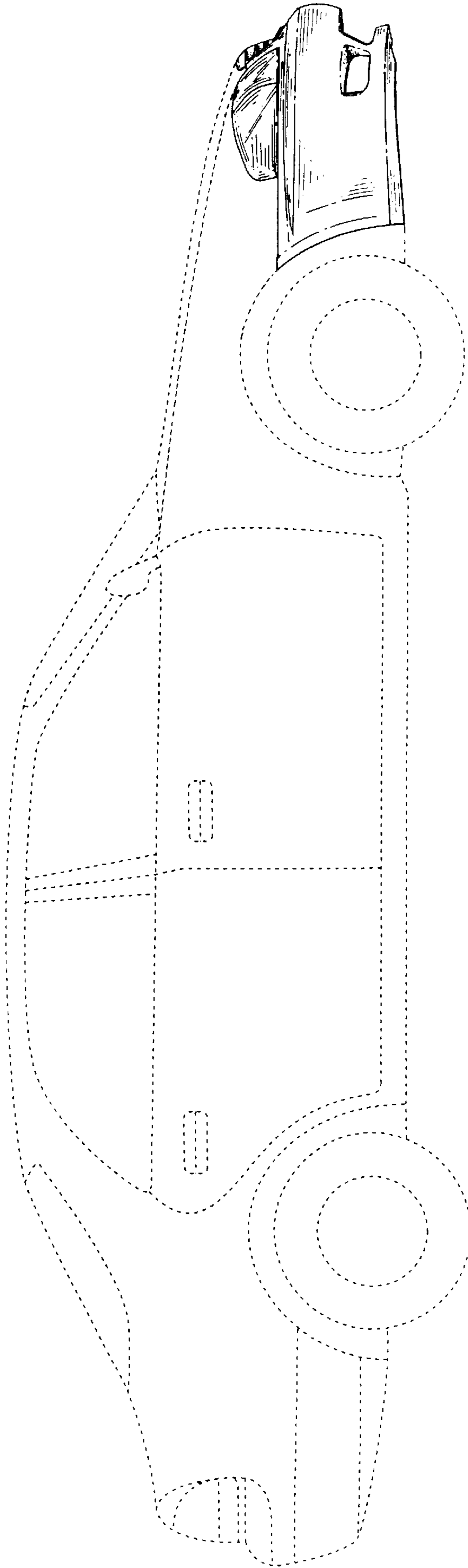


FIG. 12

