



US00D425837S

**United States Patent** [19]  
**Runfola**

[11] **Patent Number: Des. 425,837**

[45] **Date of Patent: \*\* May 30, 2000**

[54] **MODULAR VEHICLE BUMPER**

[76] Inventor: **Vincent A. Runfola**, 544 Spring Hollow Blvd., Apopka, Fla. 32712

[\*\*] Term: **14 Years**

[21] Appl. No.: **29/109,156**

[22] Filed: **Aug. 9, 1999**

[51] **LOC (7) Cl.** ..... **12-16**

[52] **U.S. Cl.** ..... **D12/169**

[58] **Field of Search** ..... D12/169, 167; 293/102, 113, 115, 120; 296/180.1, 180.2

[56] **References Cited**

**U.S. PATENT DOCUMENTS**

D. 336,881	6/1993	Fairweather	.....	D12/169
D. 367,028	2/1996	Fairweather	.....	D12/169
D. 374,201	10/1996	Nayashima	.....	D12/169
D. 398,264	9/1998	Fetz et al.	.....	D12/169
D. 399,806	10/1998	Lee	.....	D12/169
D. 402,603	12/1998	Witkowski	.....	D12/169
D. 415,458	10/1999	Schindler	.....	D12/169
D. 416,840	11/1999	Gabath	.....	D12/169
4,925,224	5/1990	Smiszek	.....	293/120

*Primary Examiner*—Melody N. Brown  
*Attorney, Agent, or Firm*—Taylor & Aust, P.C.

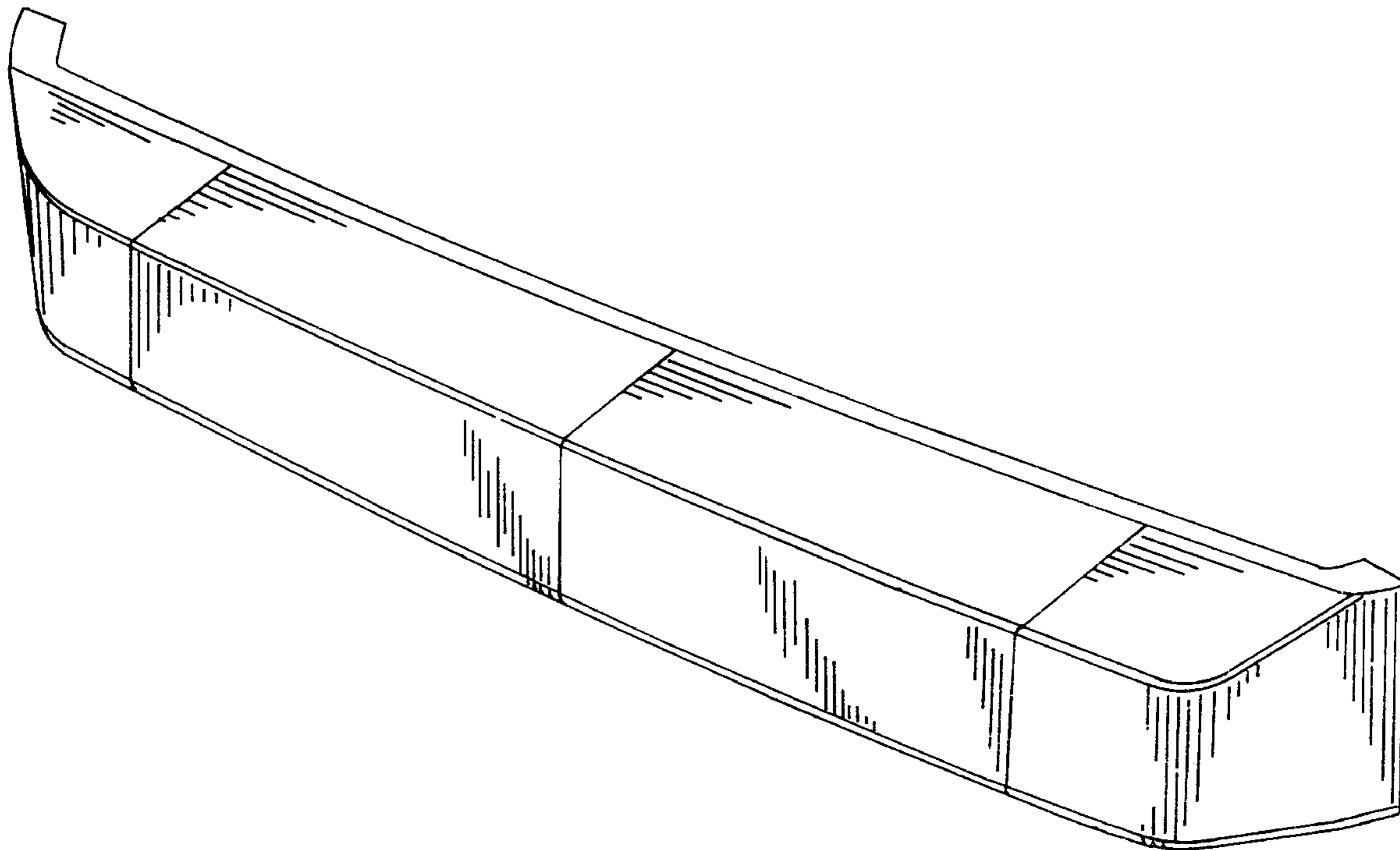
[57] **CLAIM**

The ornamental design for a modular vehicle bumper, as shown and described.

**DESCRIPTION**

FIG. 1 is a perspective view of a modular vehicle bumper showing my new design;  
FIG. 2 is a top view thereof, the bottom view being substantially identical;  
FIG. 3 is a front view thereof;  
FIG. 4 is a side view thereof;  
FIG. 5 is an opposite side view thereof;  
FIG. 6 is rear view thereof;  
FIG. 7 is a perspective view of a second embodiment of a modular vehicle bumper showing my new design;  
FIG. 8 is a top view thereof;  
FIG. 9 is a front view thereof;  
FIG. 10 is a bottom view thereof;  
FIG. 11 is a rear view thereof;  
FIG. 12 is an end view thereof; and,  
FIG. 13 is an opposite end view thereof.

**1 Claim, 6 Drawing Sheets**



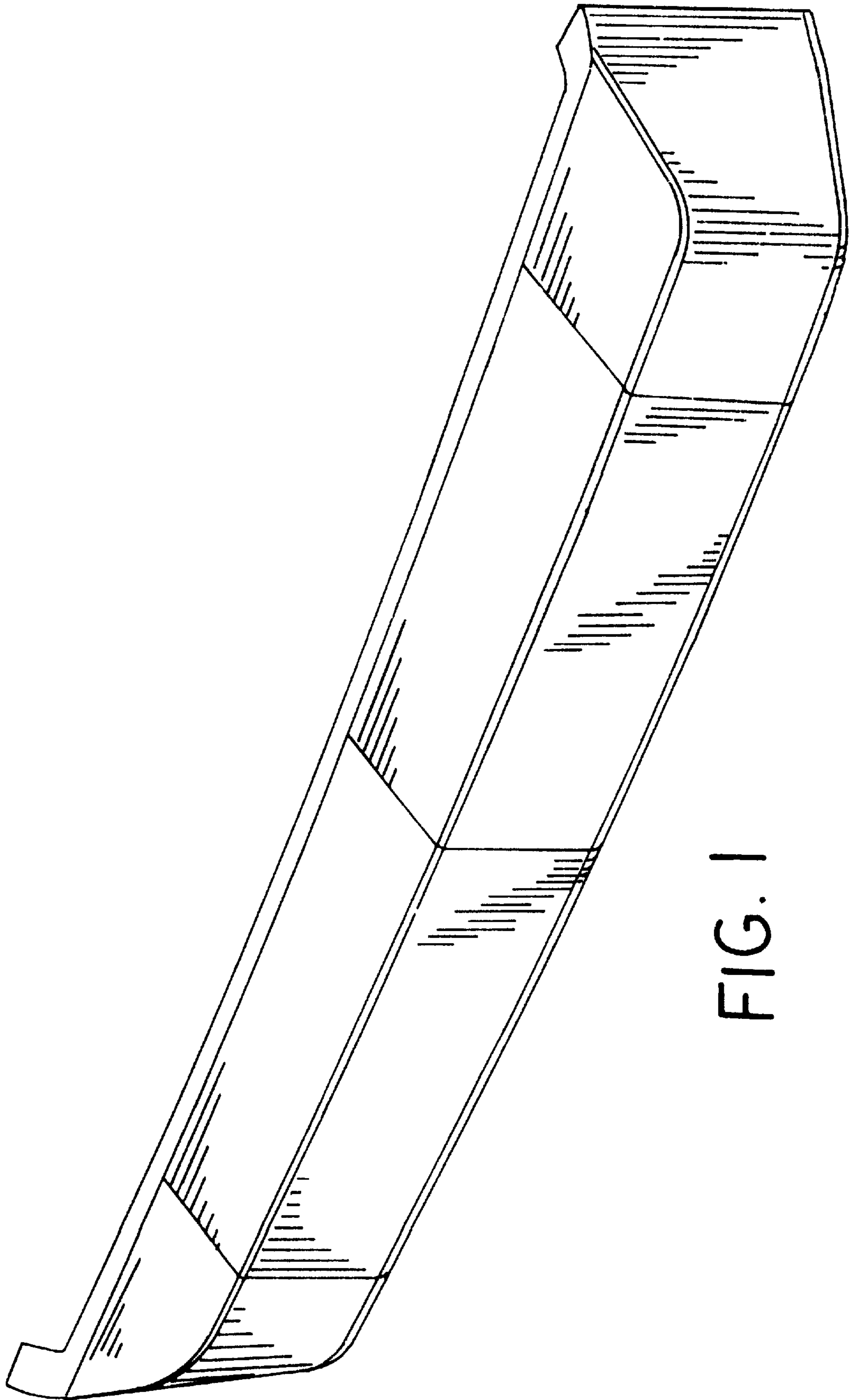


FIG. 1

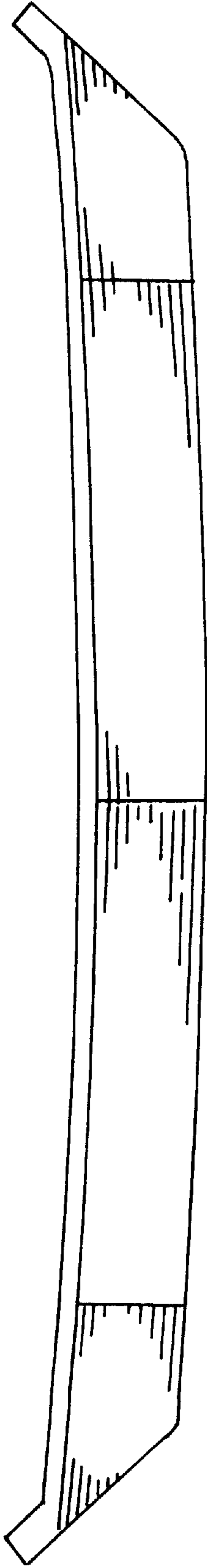


FIG. 2

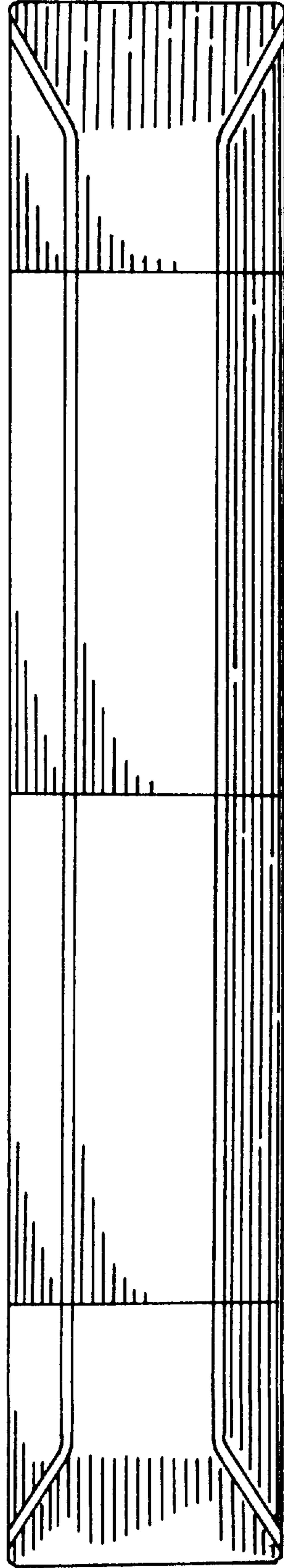


FIG. 3

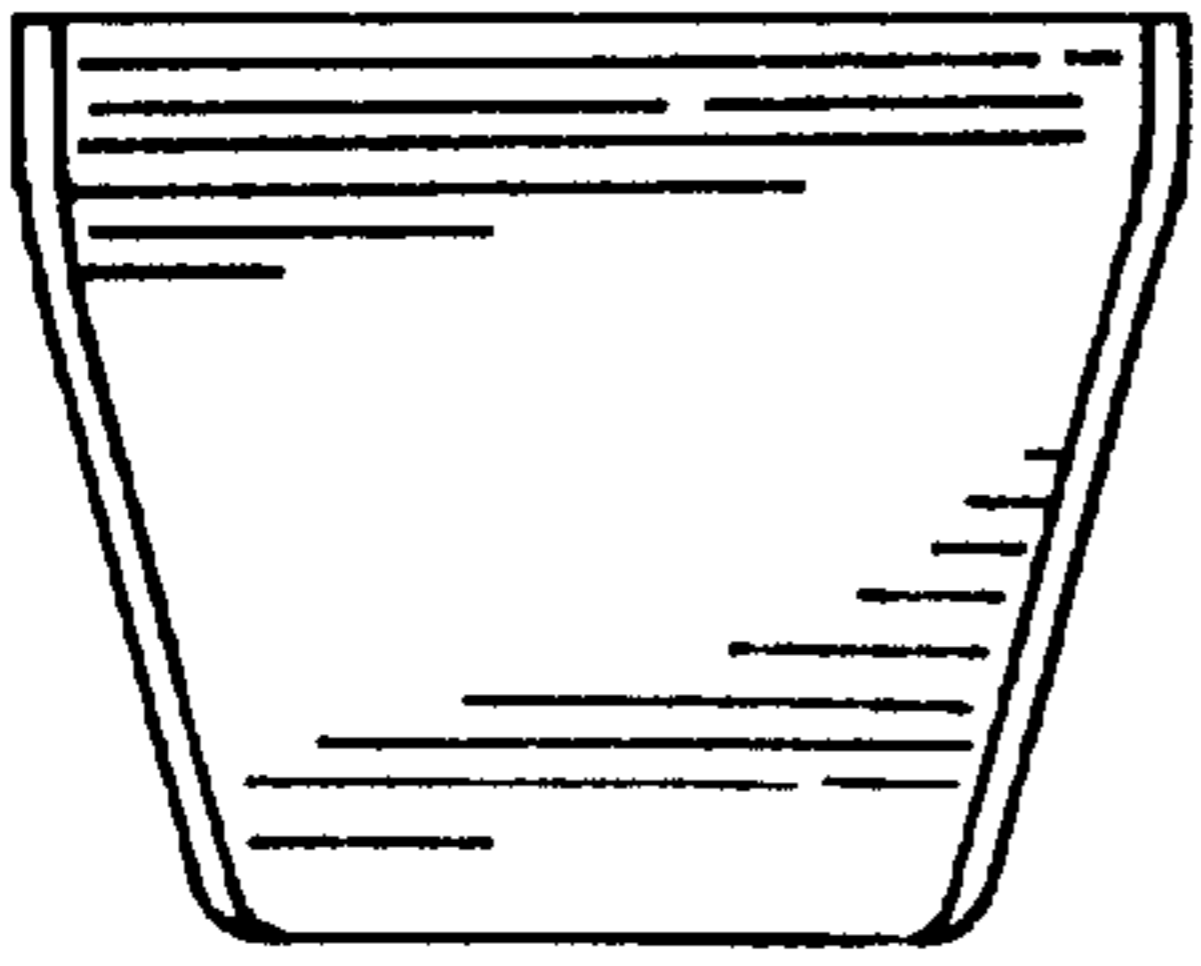


FIG. 4

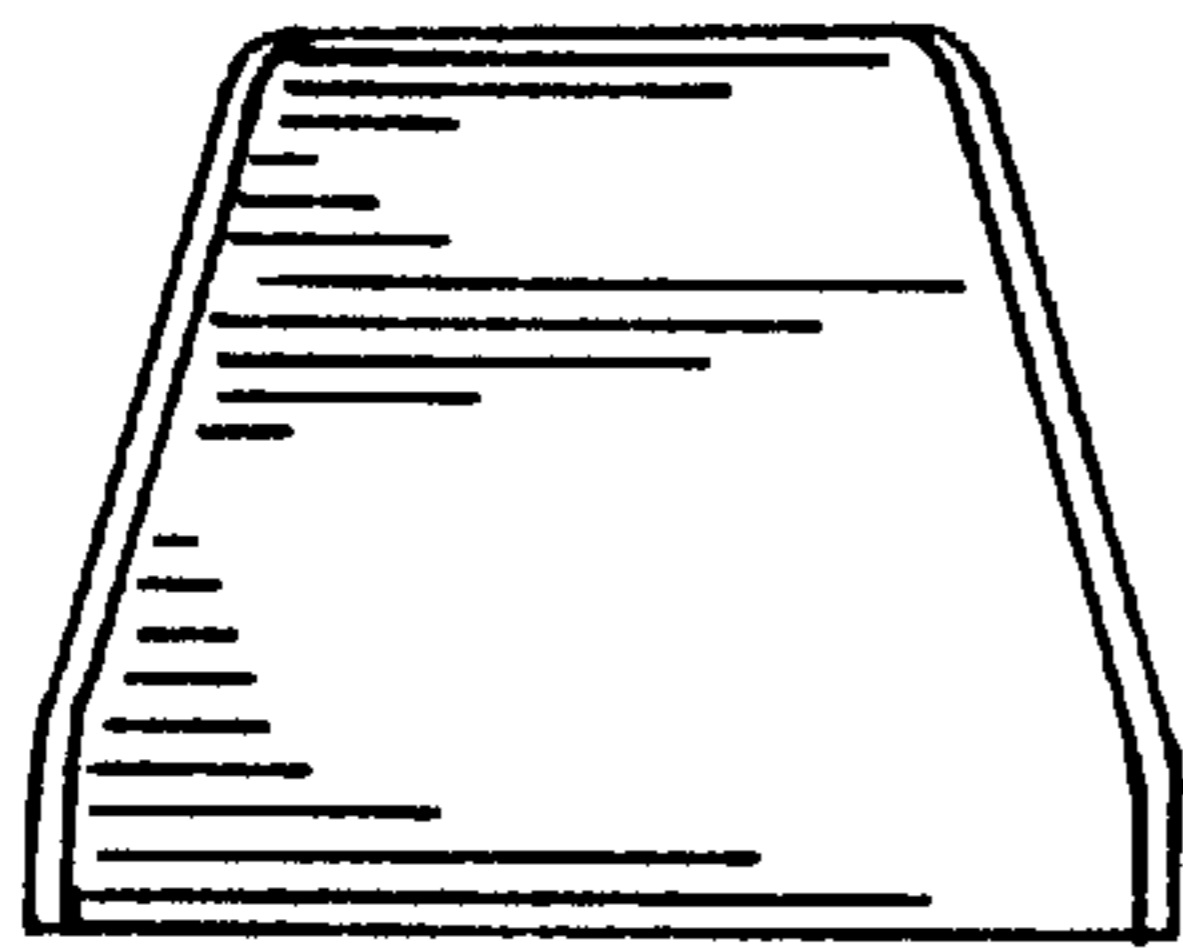


FIG. 5

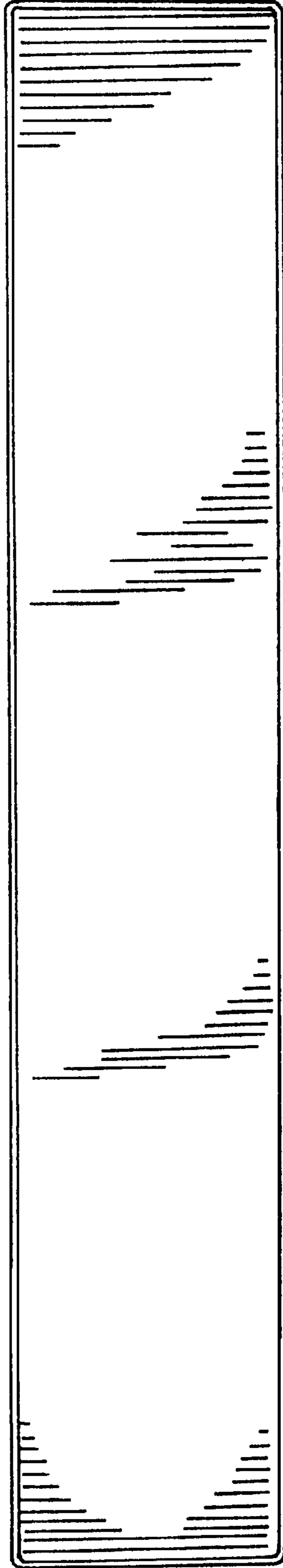


FIG. 6

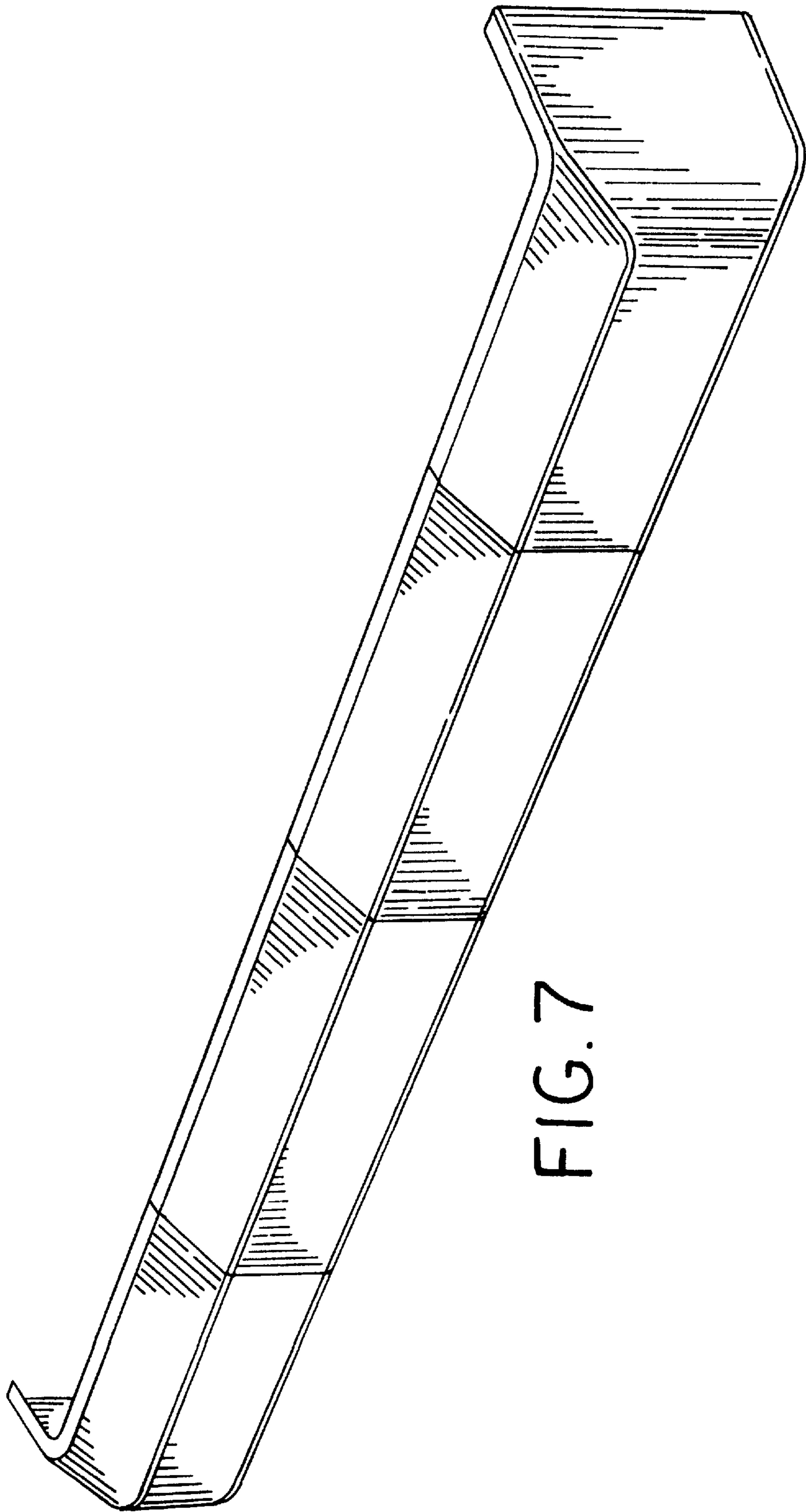


FIG. 7



FIG. 8

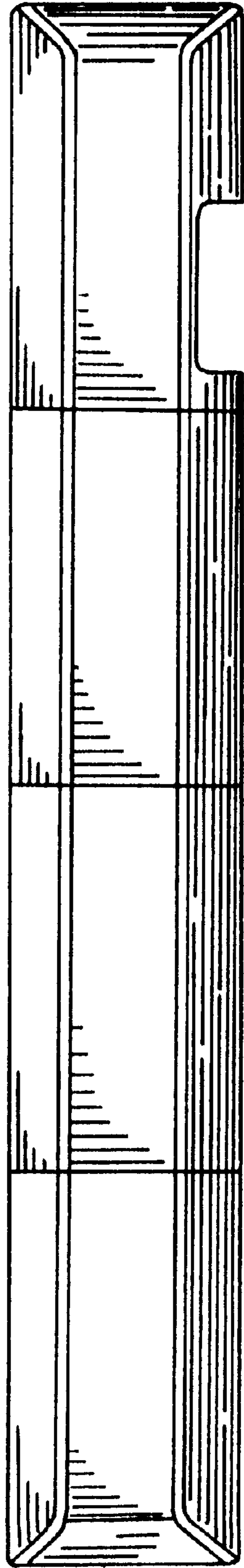


FIG. 9



FIG. 10

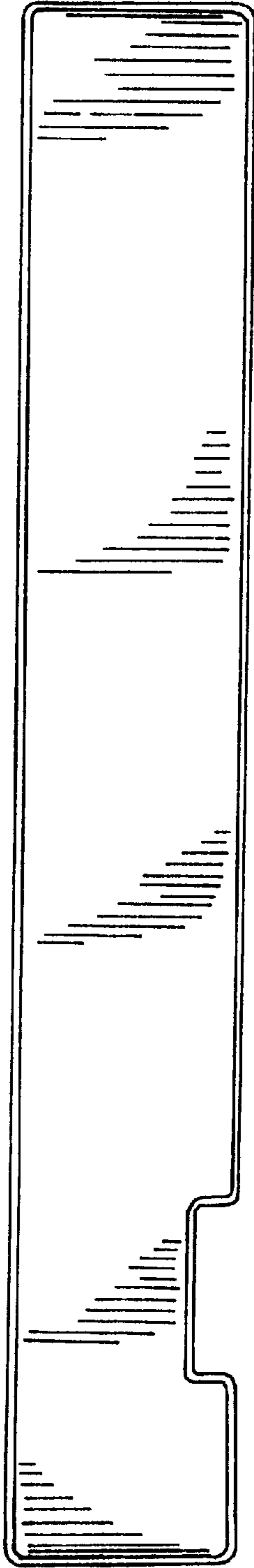


FIG. 11

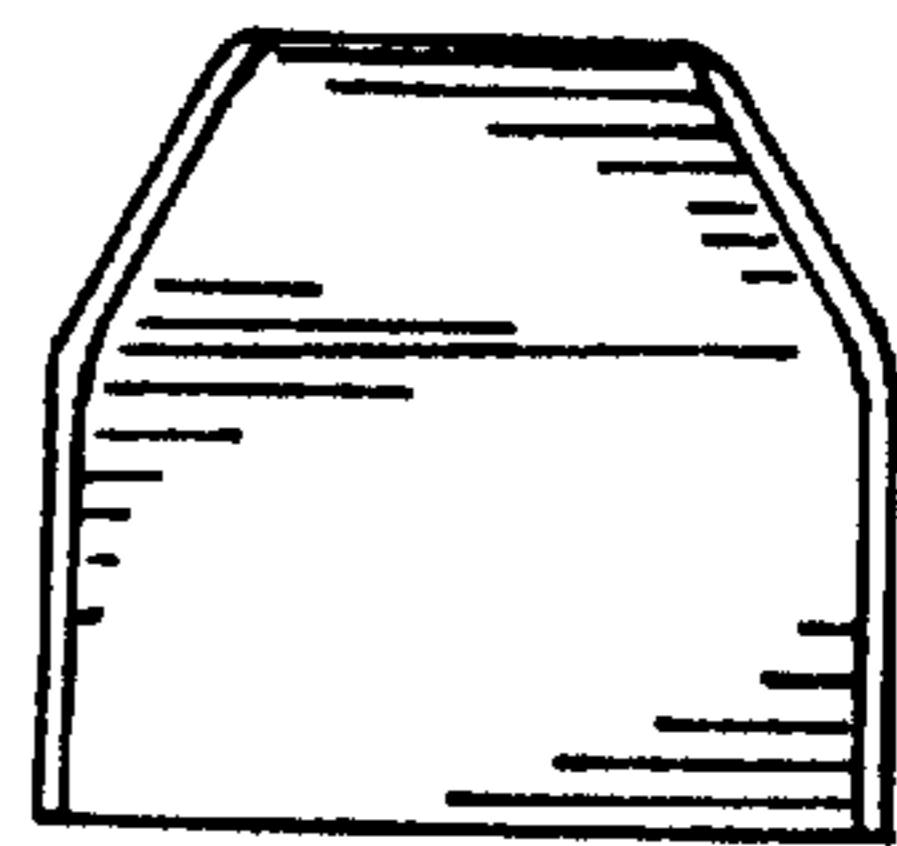


FIG. 12

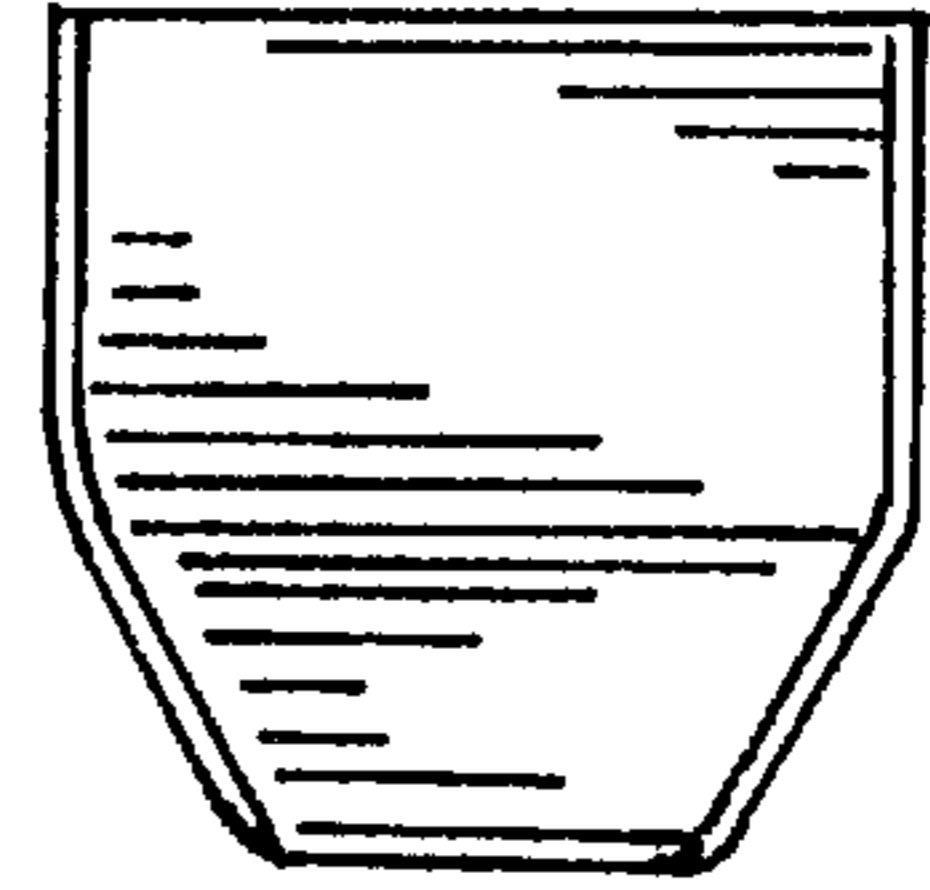


FIG. 13