



US00D425836S

United States Patent [19] Bangle

[11] **Patent Number: Des. 425,836**

[45] **Date of Patent: ** May 30, 2000**

[54] **FRONT SURFACE CONFIGURATION OF A VENTILATION INSERT FOR THE FRONT BUMPER OF AN AUTOMOBILE**

D. 290,830	7/1987	Irada	D12/169
D. 326,835	6/1992	Yamamoto	D12/169
D. 349,479	8/1994	Kiyoshi et al.	D12/169
D. 372,695	8/1996	Nayashima	D12/169

[75] Inventor: **Christopher Edward Bangle**, Gilching, Germany

Primary Examiner—Melody N. Brown
Attorney, Agent, or Firm—Evenson, McKeown, Edwards & Lenahan, P.L.L.C.

[73] Assignee: **Bayerische Motoren Werke Aktiengesellschaft**, Germany

[**] Term: **14 Years**

[57] CLAIM

[21] Appl. No.: **29/082,210**

The ornamental design for an front surface configuration of a ventilation insert for the front bumper of an automobile, as shown and described.

[22] Filed: **Jan. 16, 1998**

DESCRIPTION

[30] Foreign Application Priority Data

Jul. 16, 1997 [DE] Germany M 97 06 695

FIG. 1 is a perspective view of an front surface configuration of a ventilation insert for the front bumper of an automobile; FIG. 2 is a front view of the front surface configuration of a ventilation insert for the front bumper of an automobile; and,

[51] **LOC (7) Cl.** **12-16**

[52] **U.S. Cl.** **D12/169**

[58] **Field of Search** D12/169, 163, D12/167, 90-92; 180/68.6; 293/102, 113, 120

FIG. 3 is a top view of the front surface configuration of a ventilation insert for the front bumper of an automobile.

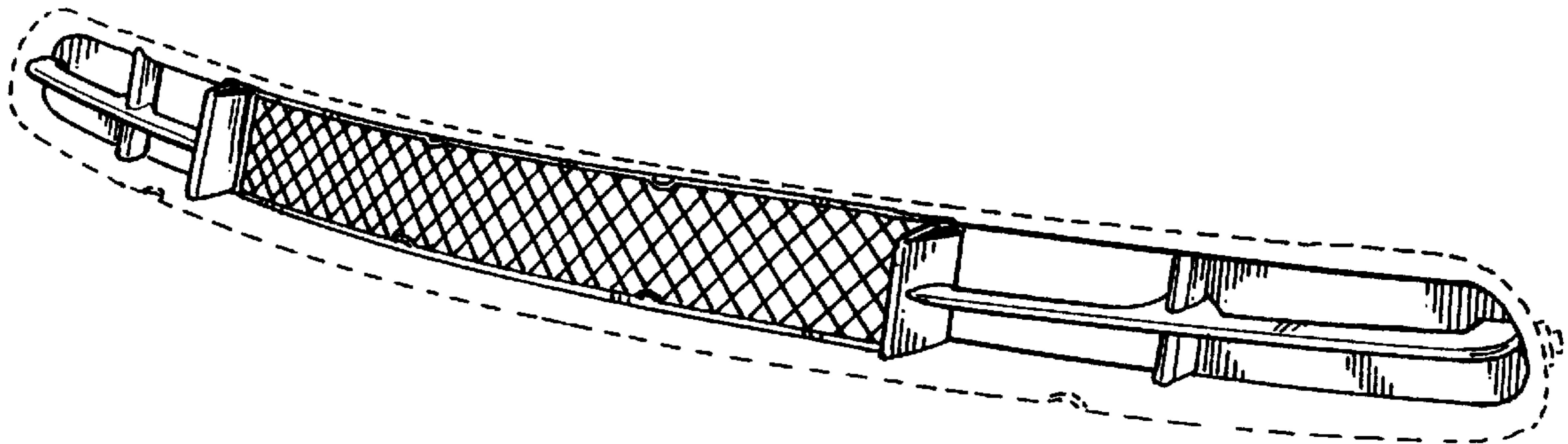
The broken lines shown in all drawing views are for illustrative purposes only and form no part of the claimed design.

[56] References Cited

U.S. PATENT DOCUMENTS

D. 286,999 12/1986 Hiranaka D12/169

1 Claim, 1 Drawing Sheet



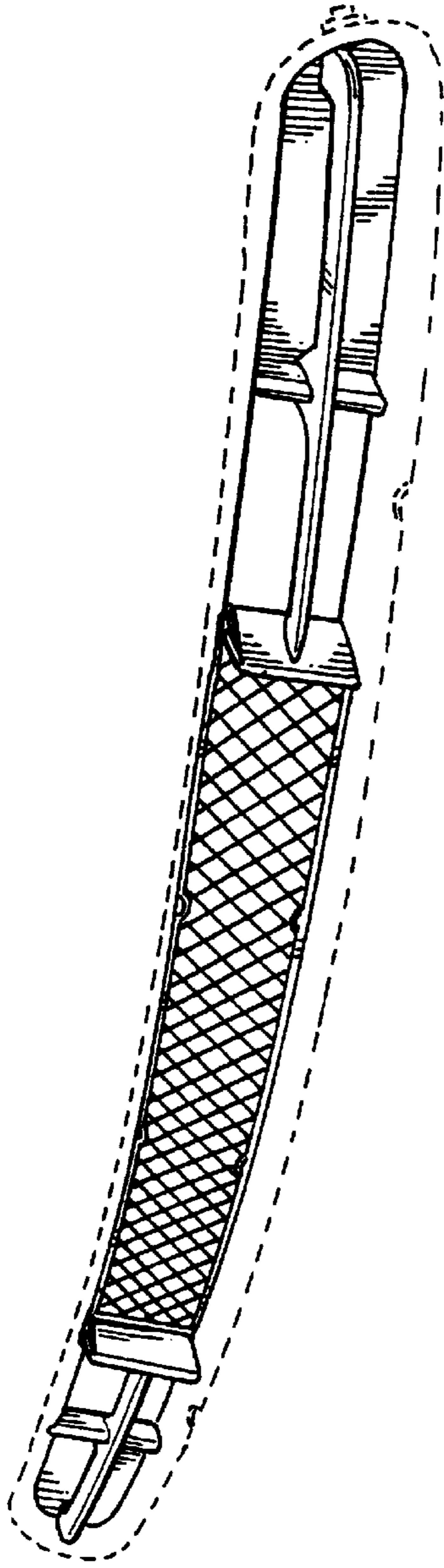


FIG. 1

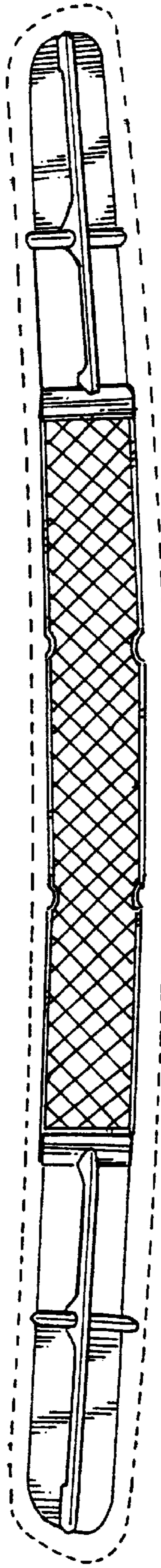


FIG. 2

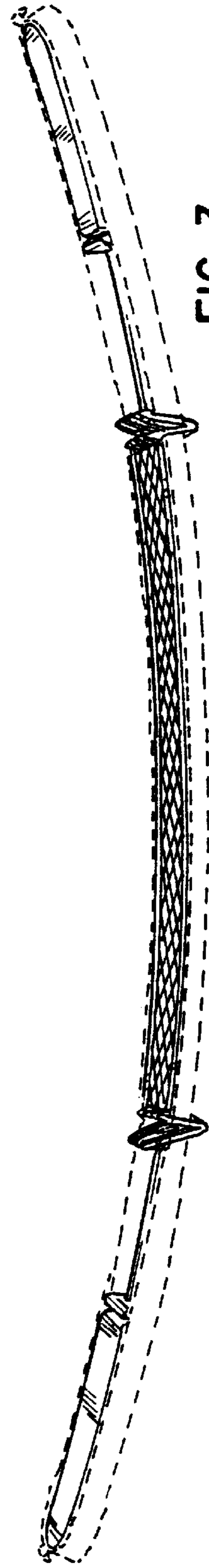


FIG. 3