



US00D425834S

**United States Patent** [19]  
**Sousamian**

[11] **Patent Number: Des. 425,834**

[45] **Date of Patent: \*\* May 30, 2000**

[54] **VEHICLE GRILLE COVER**

[75] Inventor: **Timothy W. Sousamian**, Whittier, Calif.

[73] Assignee: **Street Scene Equipment LLC**, Garden Grove, Calif.

[\*\*] Term: **14 Years**

[21] Appl. No.: **29/095,765**

[22] Filed: **Oct. 29, 1998**

[51] **LOC (7) Cl.** ..... **12-16**

[52] **U.S. Cl.** ..... **D12/163**

[58] **Field of Search** ..... D12/163, 171; 293/115, 117, 120; 180/68.6

[56] **References Cited**

**U.S. PATENT DOCUMENTS**

- D. 286,999 12/1986 Hiranaka ..... D12/163
- D. 290,830 7/1987 Inada ..... D12/163
- D. 293,230 12/1987 Kawaoka ..... D12/163
- D. 318,835 8/1991 Partin ..... D12/169

**OTHER PUBLICATIONS**

Trader's 1997 Accessories Catalog #9, Dec. 26, 1996, front cover.

Sport Truck magazine, Jul. 3, 1997, front cover.

*Primary Examiner*—Melody N. Brown  
*Attorney, Agent, or Firm*—Lyon & Lyon LLP

[57] **CLAIM**

The ornamental design for a vehicle grille cover, as shown and described.

**DESCRIPTION**

FIG. 1 is a perspective view of a vehicle grille cover embodying my new design, the perspective of a vehicle being shown fragmentally to show the environment in which the vehicle grille cover is used, the broken lines being for illustrative purposes only, and forming no part of the claimed design.

FIG. 2 is a perspective view of a portion of the vehicle grille cover which is the upper right portion as seen in FIG. 1, the lower left portion as seen in FIG. 1 being identical to the upper right portion but for the orientation in the assembled vehicle grille cover, and the upper left portion and the lower right portion as seen in FIG. 1 being identical to one another and the mirror image of the upper right portion and the lower left portion but for the orientation in the assembled vehicle grille cover.

FIG. 3 is a front elevational view of the upper right portion of the vehicle grille cover.

FIG. 4 is a top plan view of the upper right portion of the vehicle grille cover.

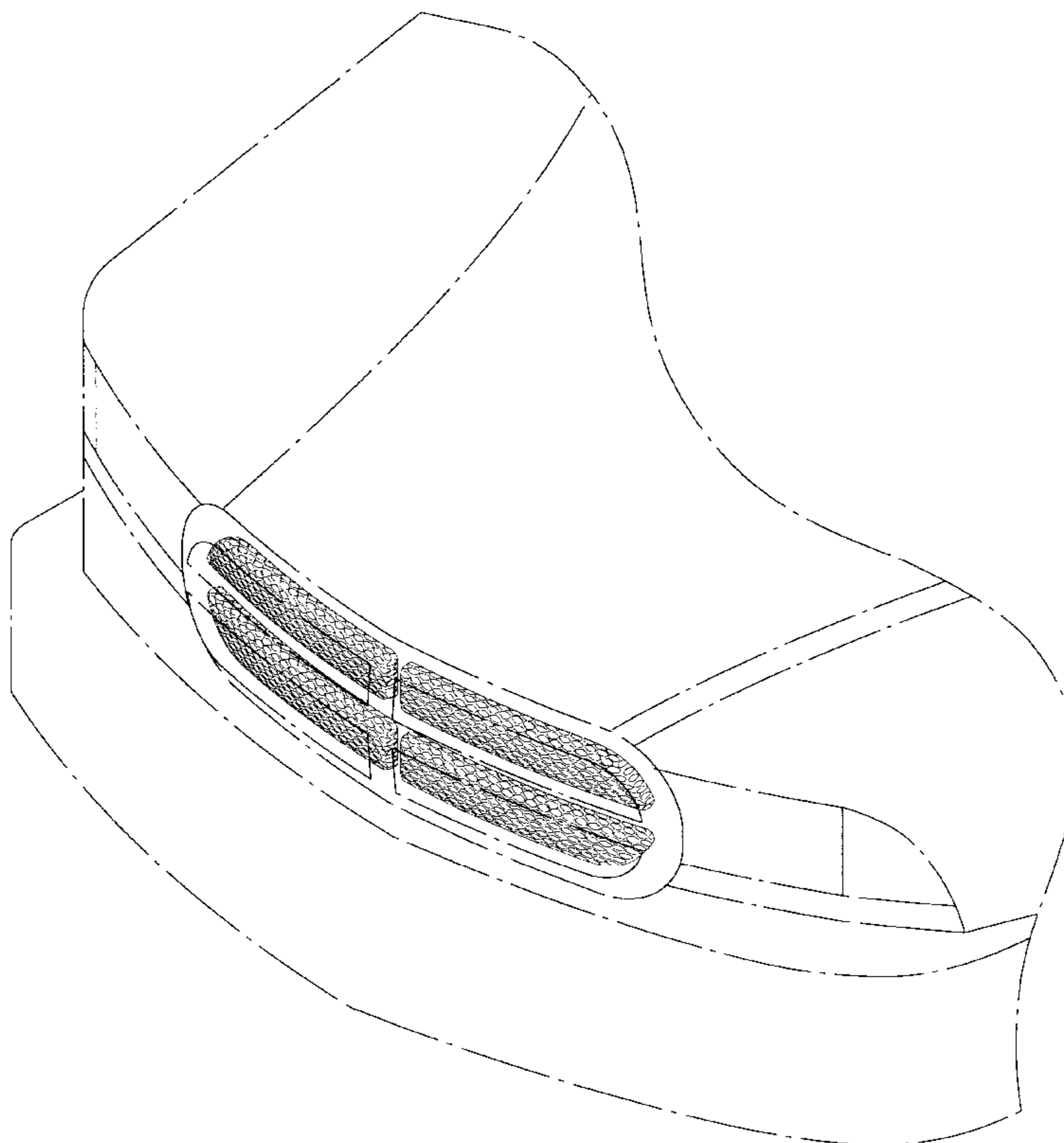
FIG. 5 is a right side view of the upper right portion of the vehicle grille cover.

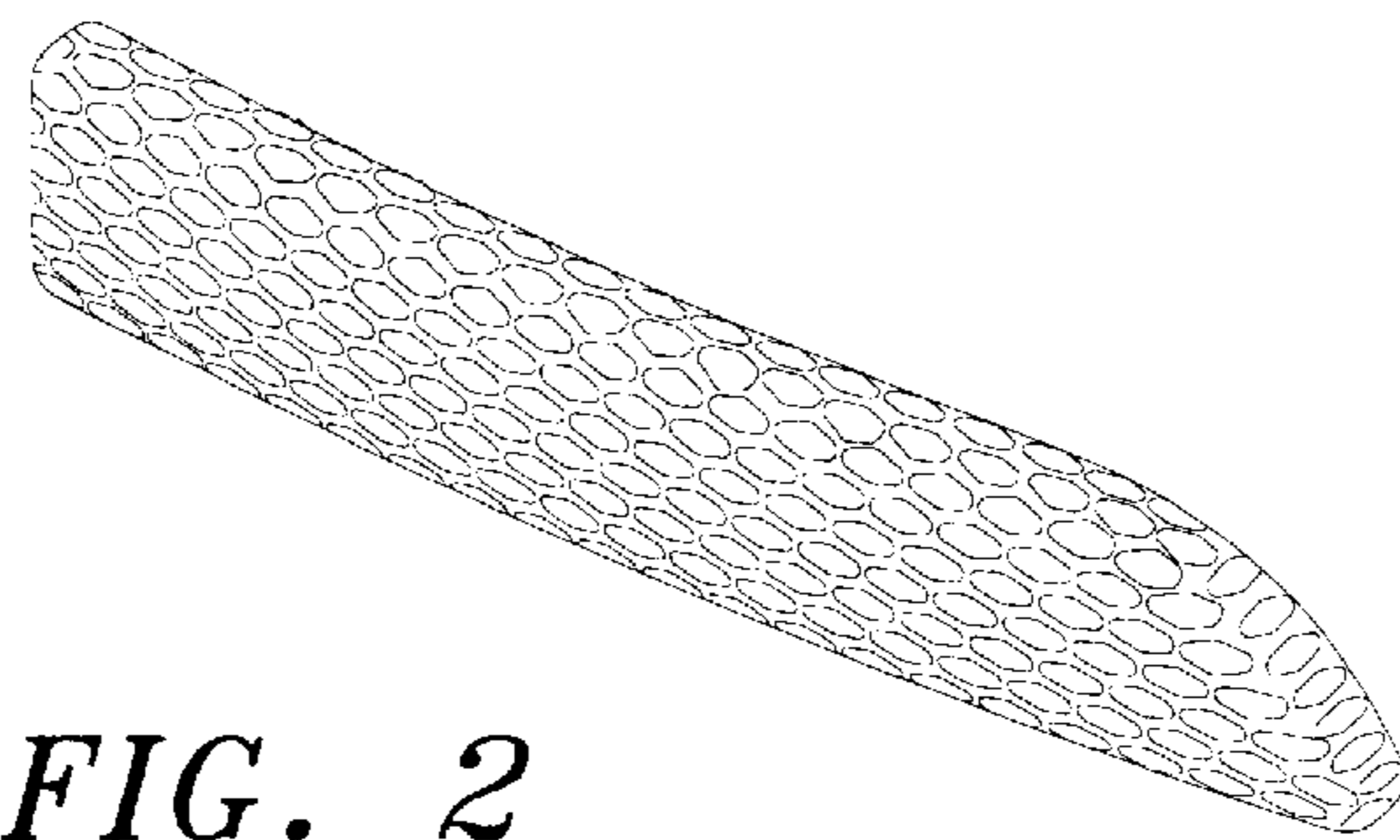
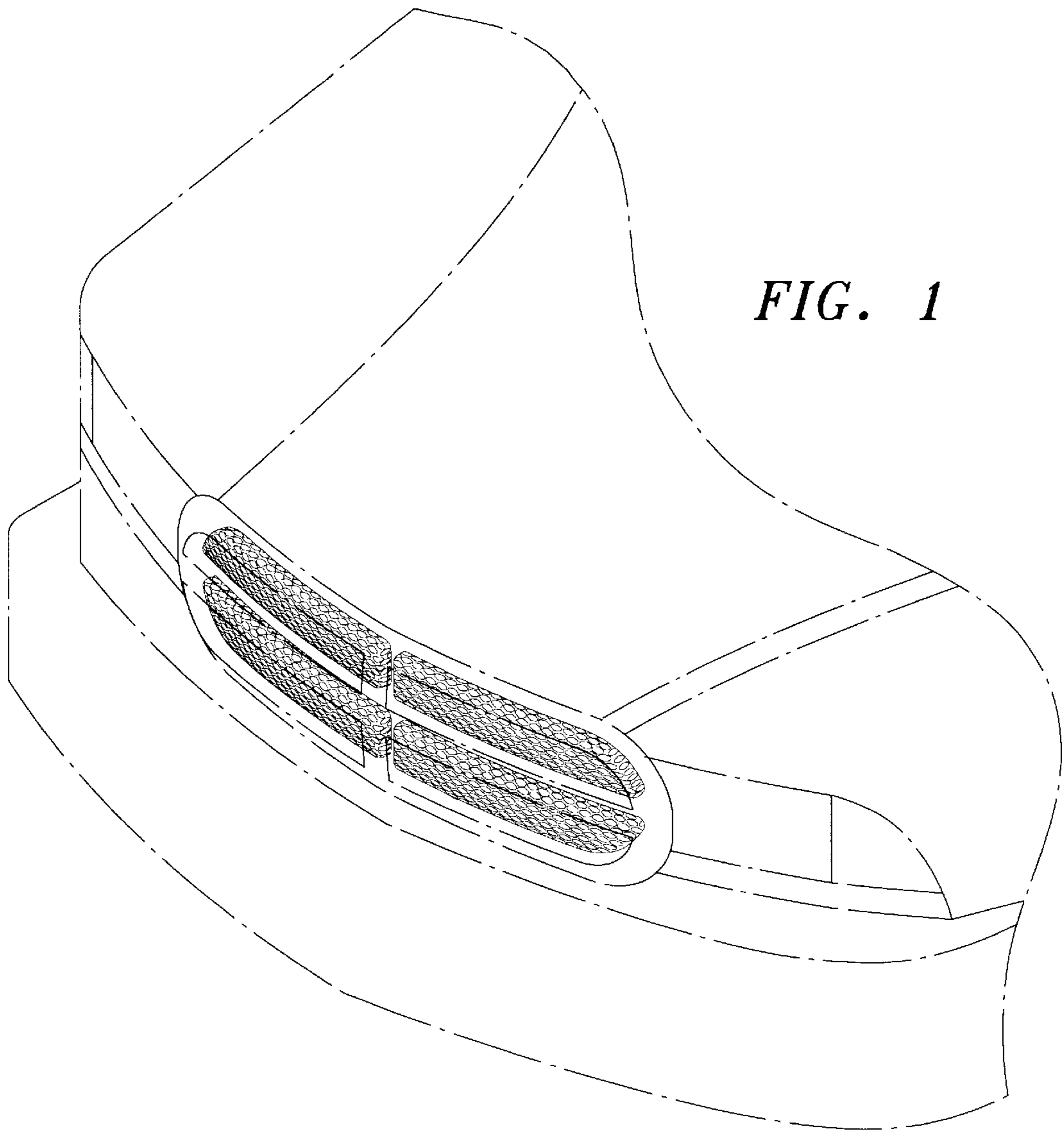
FIG. 6 is a rear elevational view of the upper right portion of the vehicle grille cover.

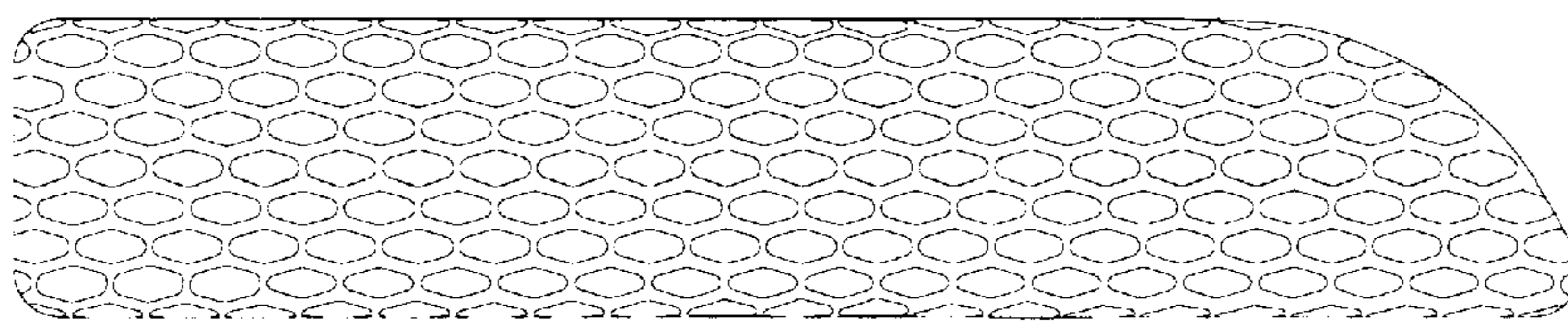
FIG. 7 is a bottom plan view of the upper right portion of the vehicle grille cover; and,

FIG. 8 is a left side view of the upper right portion of the vehicle grille cover.

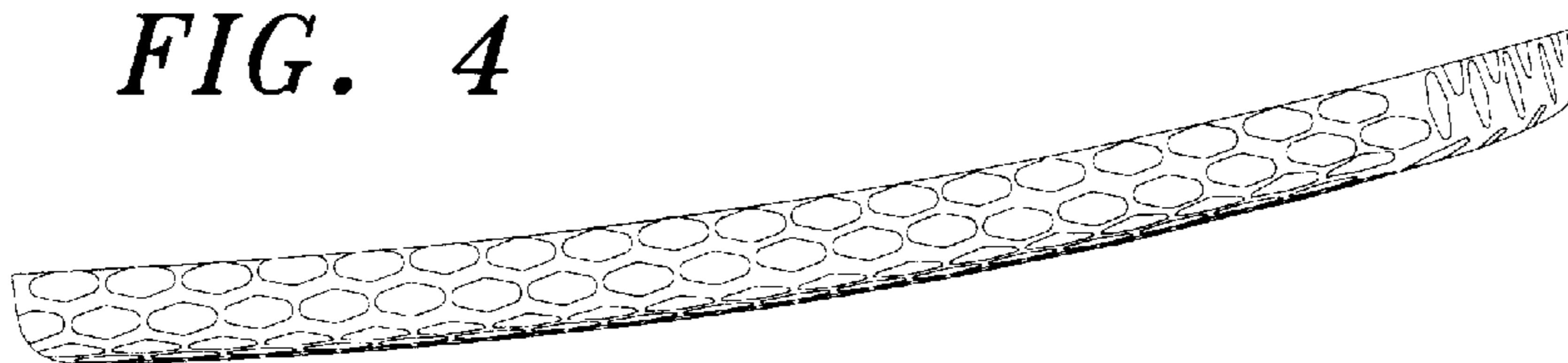
**1 Claim, 2 Drawing Sheets**



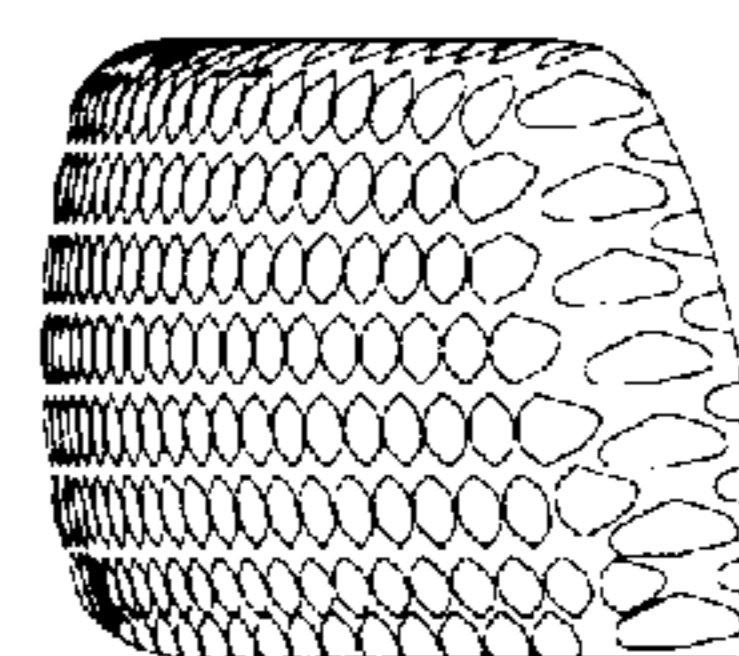




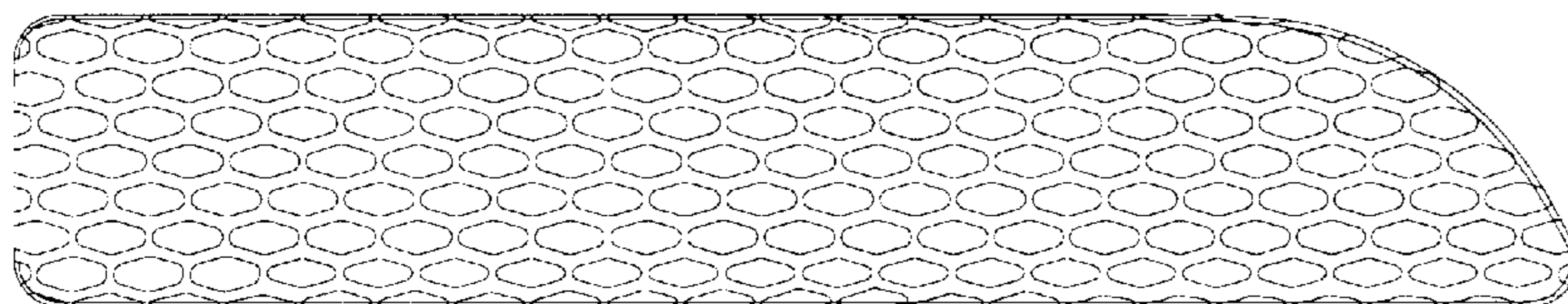
*FIG. 3*



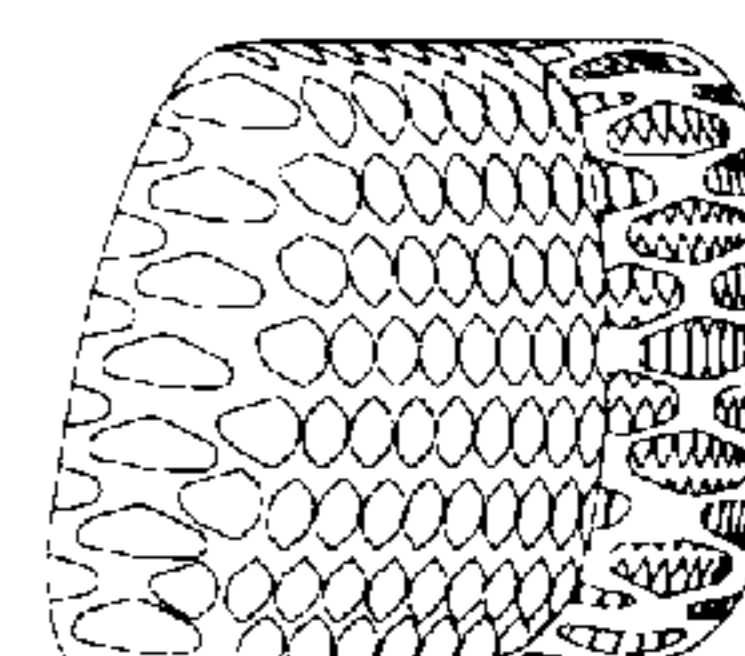
*FIG. 4*



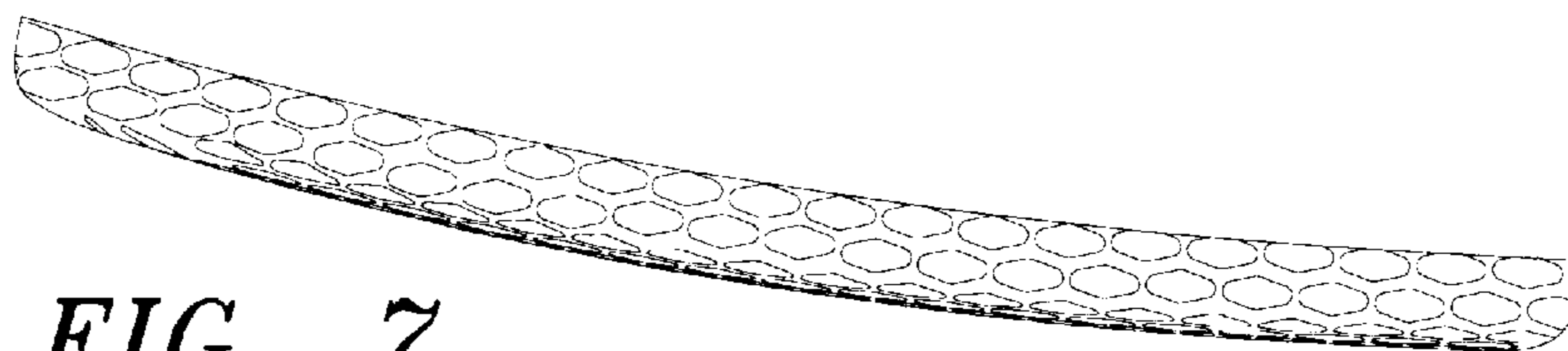
*FIG. 5*



*FIG. 6*



*FIG. 8*



*FIG. 7*