



US00D425833S

United States Patent [19] Robinson

[11] Patent Number: **Des. 425,833**

[45] Date of Patent: **** May 30, 2000**

[54] **FLEXIBLE PROTECTIVE SHIELD FOR TRAILER HITCH**

5,839,744 11/1998 Marks 280/511
5,850,959 12/1998 Miller 224/924

[76] Inventor: **James R. Robinson**, 11723 E. Washington Blvd., Whittier, Calif. 90606

[**] Term: **14 Years**

[21] Appl. No.: **29/093,287**

[22] Filed: **Sep. 8, 1998**

[51] **LOC (7) Cl.** **12-16**

[52] **U.S. Cl.** **D12/162; D9/439; D9/455**

[58] **Field of Search** D12/162, 400; D8/400, 499; D9/439, 455; D23/260; 138/89, 89.1, 89.4; 224/924; 256/66, DIG. 5; 280/495, 506, 507, 511; 293/122

OTHER PUBLICATIONS

Caplugs Series FC & FP Caps, pp. 33 & 34, respectively, Caplugs Catalog, Oct. 1, 1974.

Niagara Square Caps, Niagara Plastics Co. Parts & Price List, p. 36, Aug. 1977.

Plastiglide Square Cap Style A, Plastiglide Catalog #5D, p. 21, Aug. 1983.

Primary Examiner—Robert M. Spear

Attorney, Agent, or Firm—Willie Krawitz

[57] CLAIM

The ornamental design for a flexible protective shield for trailer hitch, as shown and described.

DESCRIPTION

FIG. 1 is a front perspective view of a flexible, protective shield for trailer hitch, showing my design, the rear perspective view being identical thereto;

FIG. 2 is a top plan view thereof;

FIG. 3 is a bottom plan view thereof;

FIG. 4 is a left side elevation view thereof; and,

FIG. 5 is a right side elevation view thereof, being a mirror image of the left side elevation view, the front and rear elevation views being mirror images of the left and right side elevation views.

The surface(s) or portion(s) of the article not shown in the drawing or described in the specification form(s) no part of the claimed design.

[56] References Cited

U.S. PATENT DOCUMENTS

D. 352,889	11/1994	Crwother et al.	D8/400
D. 372,892	8/1996	McCoy et al.	D12/162
D. 396,407	7/1998	Jennings et al.	D8/499
D. 409,960	5/1999	Young	D12/162
5,072,962	12/1991	Webb	280/511
5,149,122	9/1992	Helber	280/507
5,184,840	2/1993	Edwards	280/507
5,203,194	4/1993	Marquardt	138/89
5,277,448	1/1994	Colibert	280/495
5,431,425	7/1995	Klinkman	280/495
5,560,631	10/1996	Salvo	280/507
5,593,172	1/1997	Breslin	280/506
5,620,198	4/1997	Borchers	280/507
5,695,204	12/1997	Ford	280/507

1 Claim, 1 Drawing Sheet

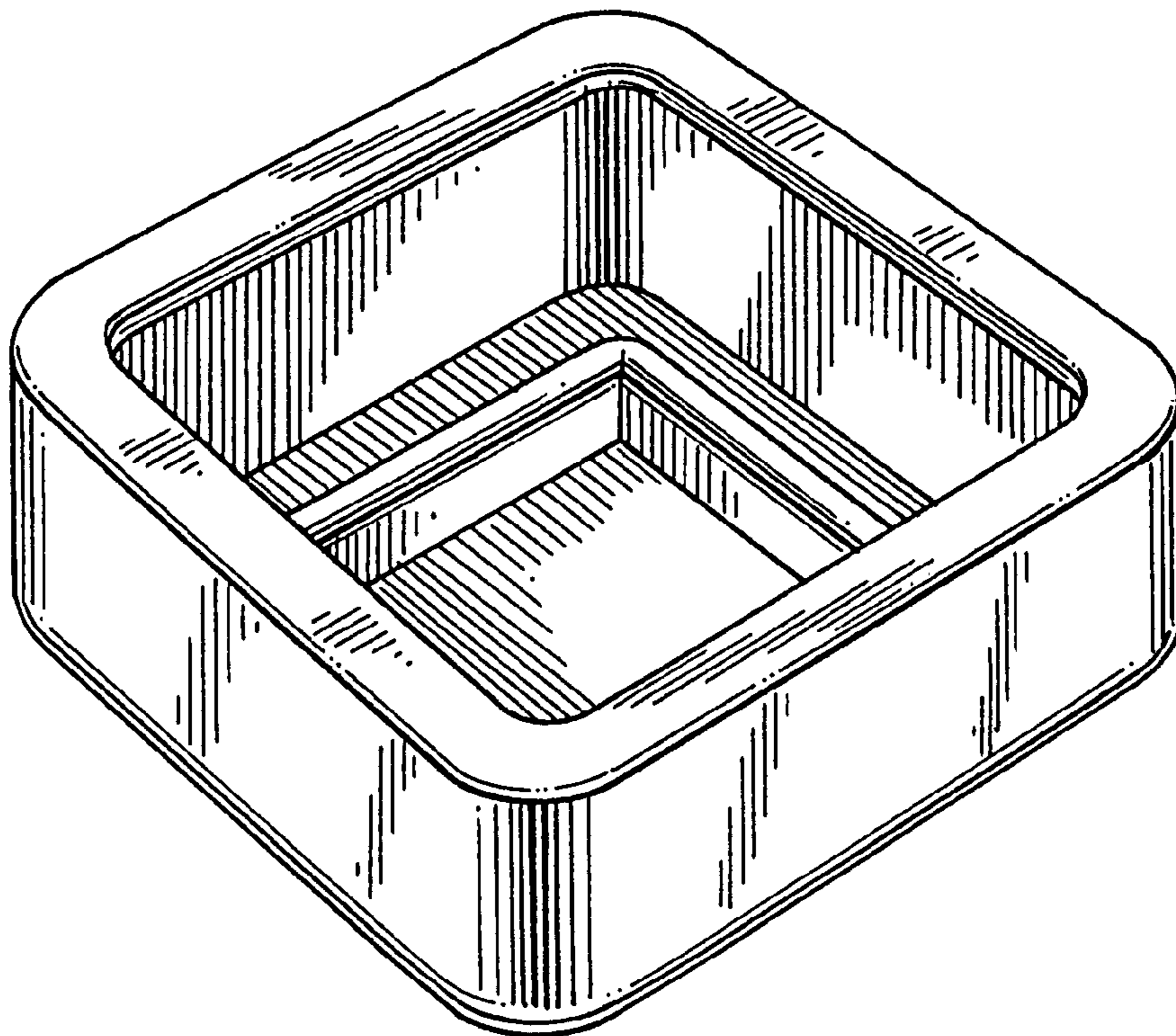


FIG. 1

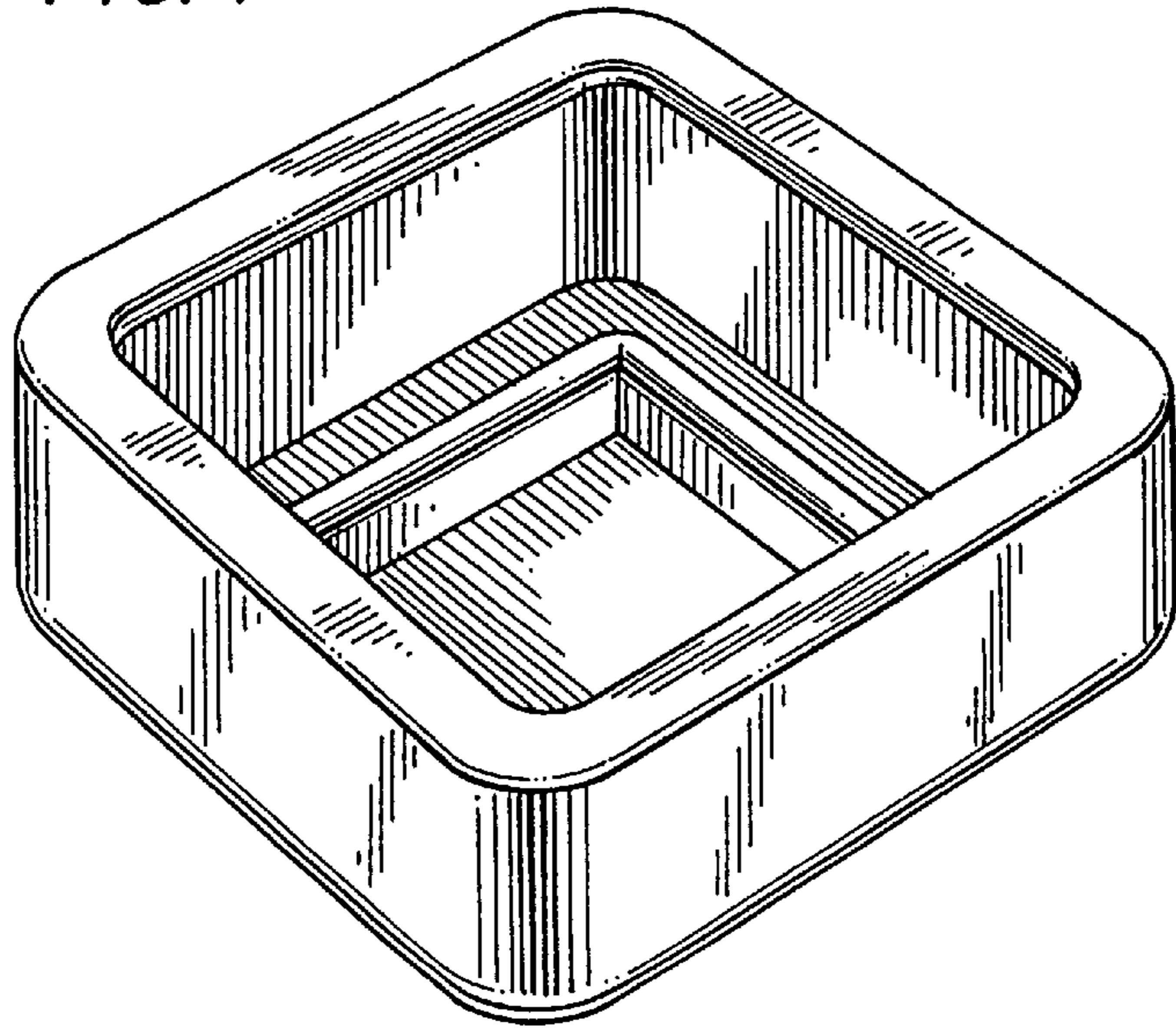


FIG. 2

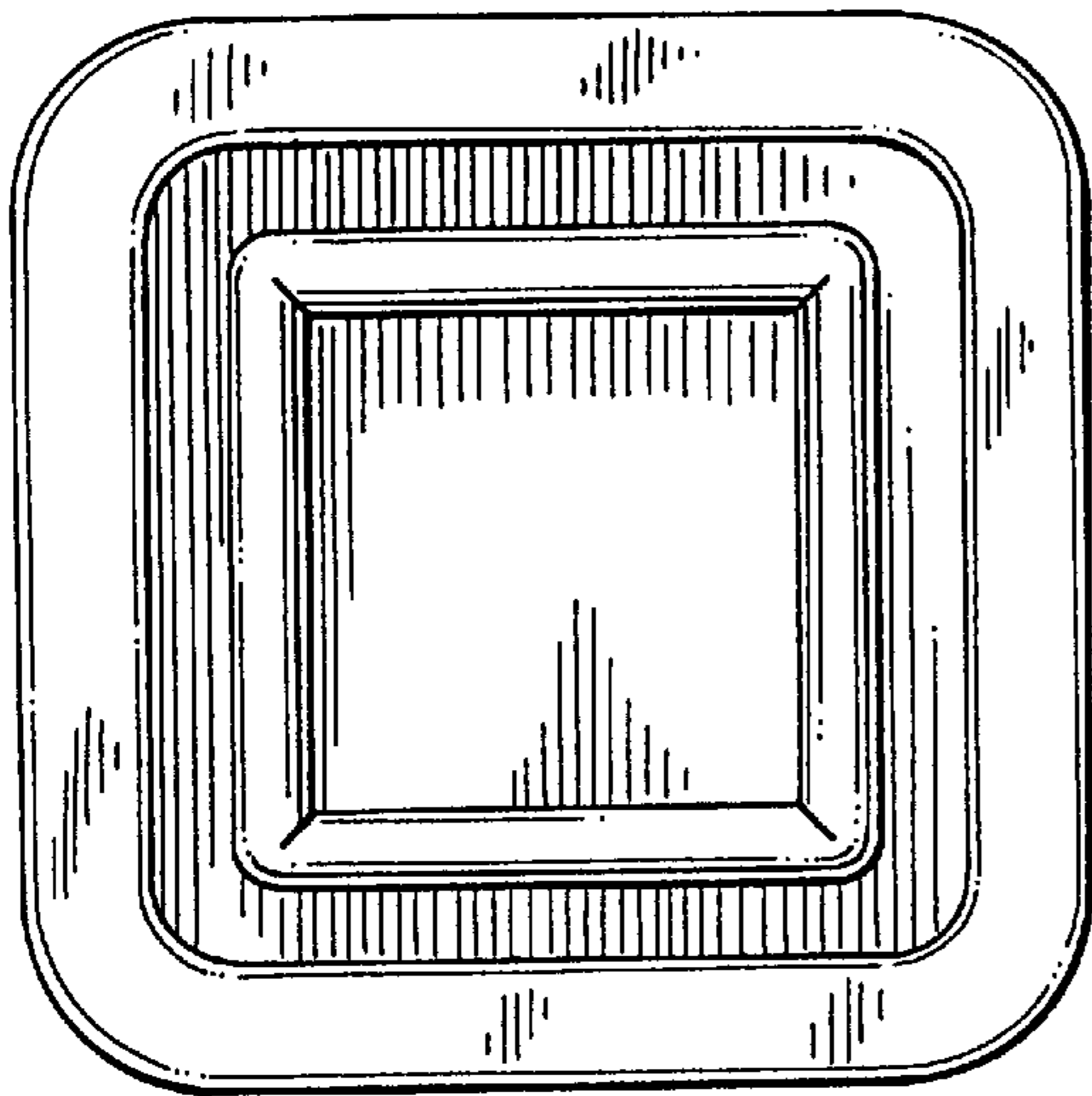


FIG. 3

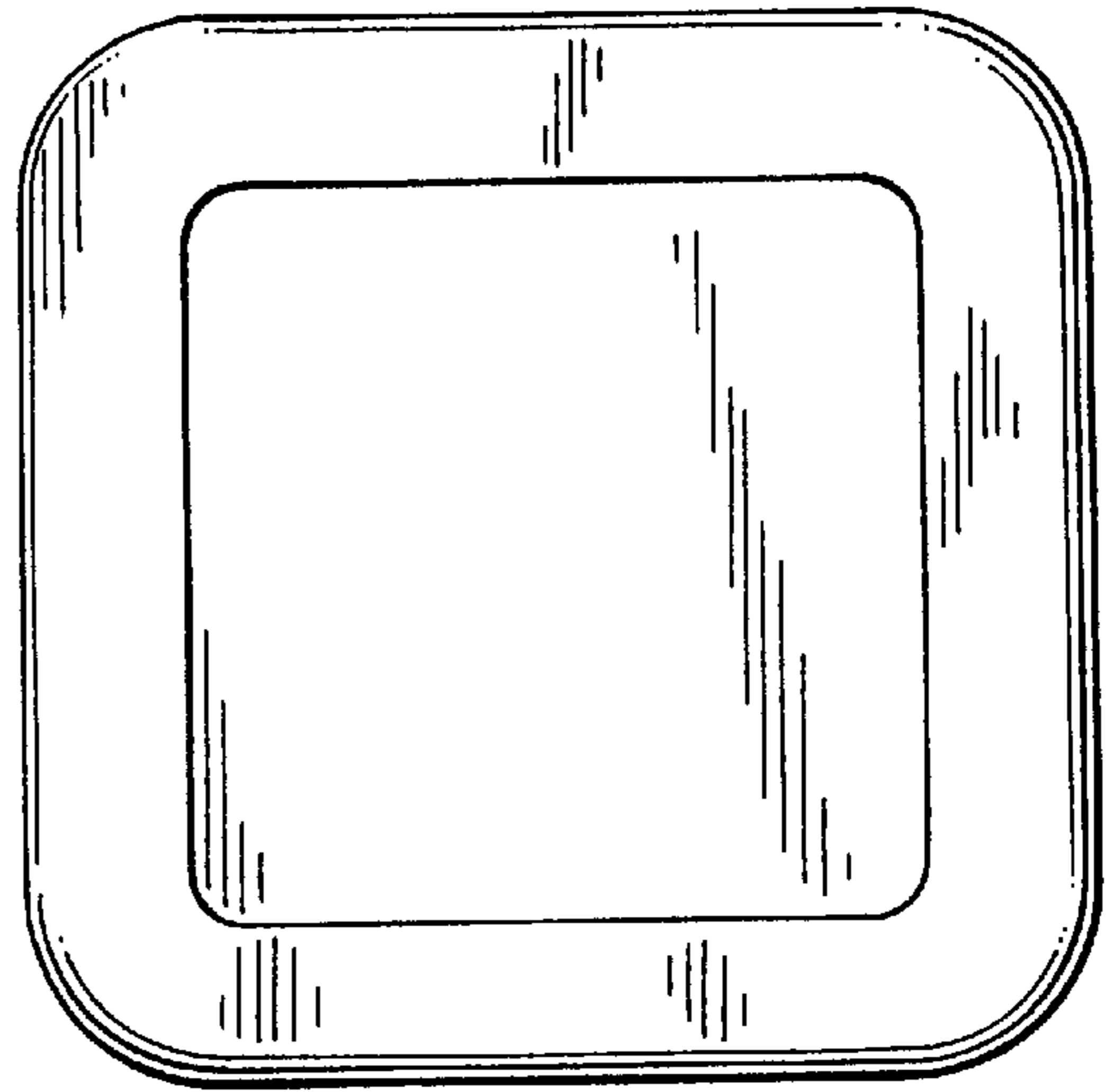


FIG. 4

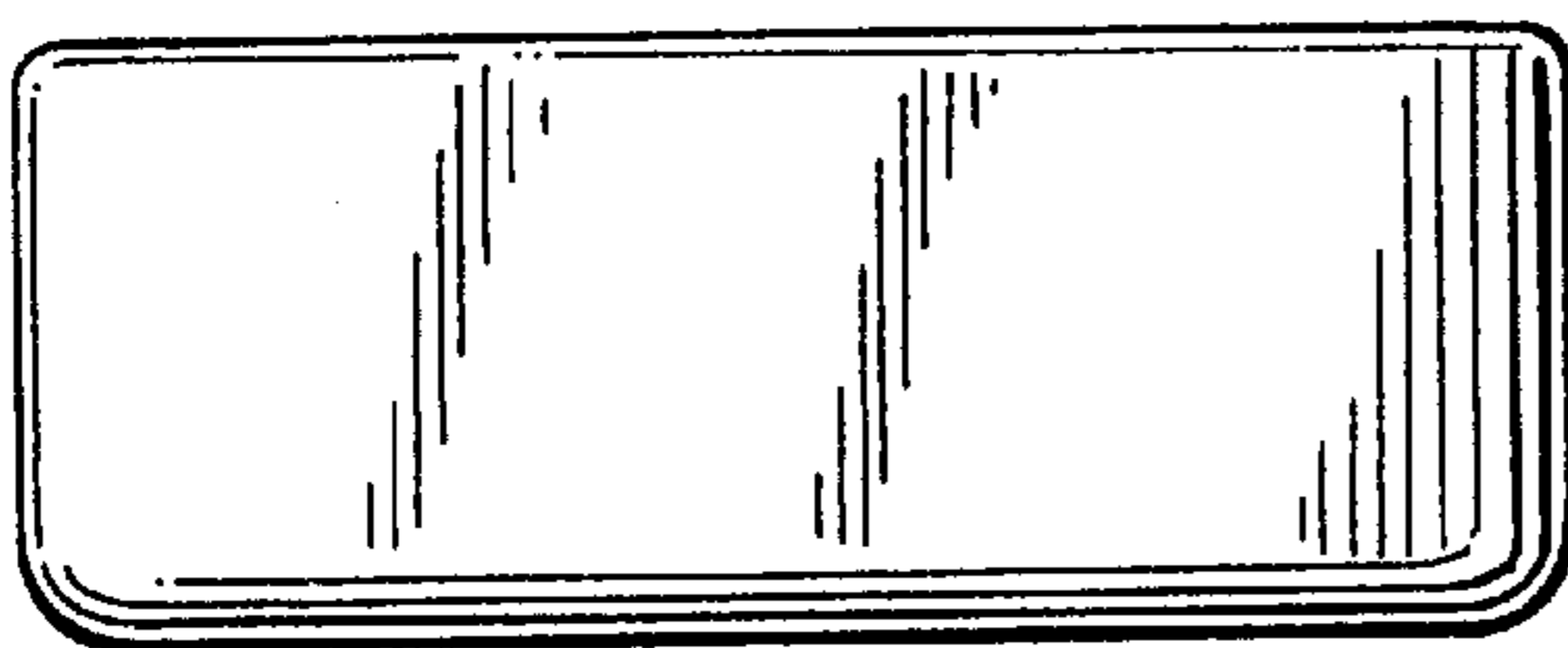


FIG. 5

