



US00D425829S

United States Patent [19]

Covert et al.

[11] Patent Number: Des. 425,829

[45] Date of Patent: ** May 30, 2000

[54] TIRE TREAD

[75] Inventors: Darrell Edwin Covert, East Canton;
Craig David Miller, Norton, both of Ohio

[73] Assignee: The Goodyear Tire & Rubber Company, Akron, Ohio

[**] Term: 14 Years

[21] Appl. No.: 29/111,072

[22] Filed: Sep. 17, 1999

[51] LOC (7) Cl. 12-15

[52] U.S. Cl. D12/146

[58] Field of Search D12/134-152;
152/209.1, 209.8, 209.9, 209.11, 209.13,
209.16, 209.28, 900, 901

4,832,099 5/1989 Matsumoto .
4,986,325 1/1991 Matsumoto .
5,327,952 7/1994 Glover et al. .
5,358,022 10/1994 Glover et al. .
5,386,862 2/1995 Glover et al. .
5,503,206 4/1996 Consolacion et al. .
5,567,253 10/1996 Iwamura .

OTHER PUBLICATIONS

Goodyear Eagle GS-D Tire, 1988 Tread Design Guide, p. 35. 1/4.
Hankook Radial K405 Tire, 1998 Tread Design Guide, p. 37. 3/1.
Reynolds Ultra-Tech GTV-4 Tire, 1998 Tread Design Guide, p. 62. 3/1.

Primary Examiner—Robert M. Spear
Attorney, Agent, or Firm—T P Lewandowski

[57] CLAIM

The ornamental design for a tire tread, as shown and described.

DESCRIPTION

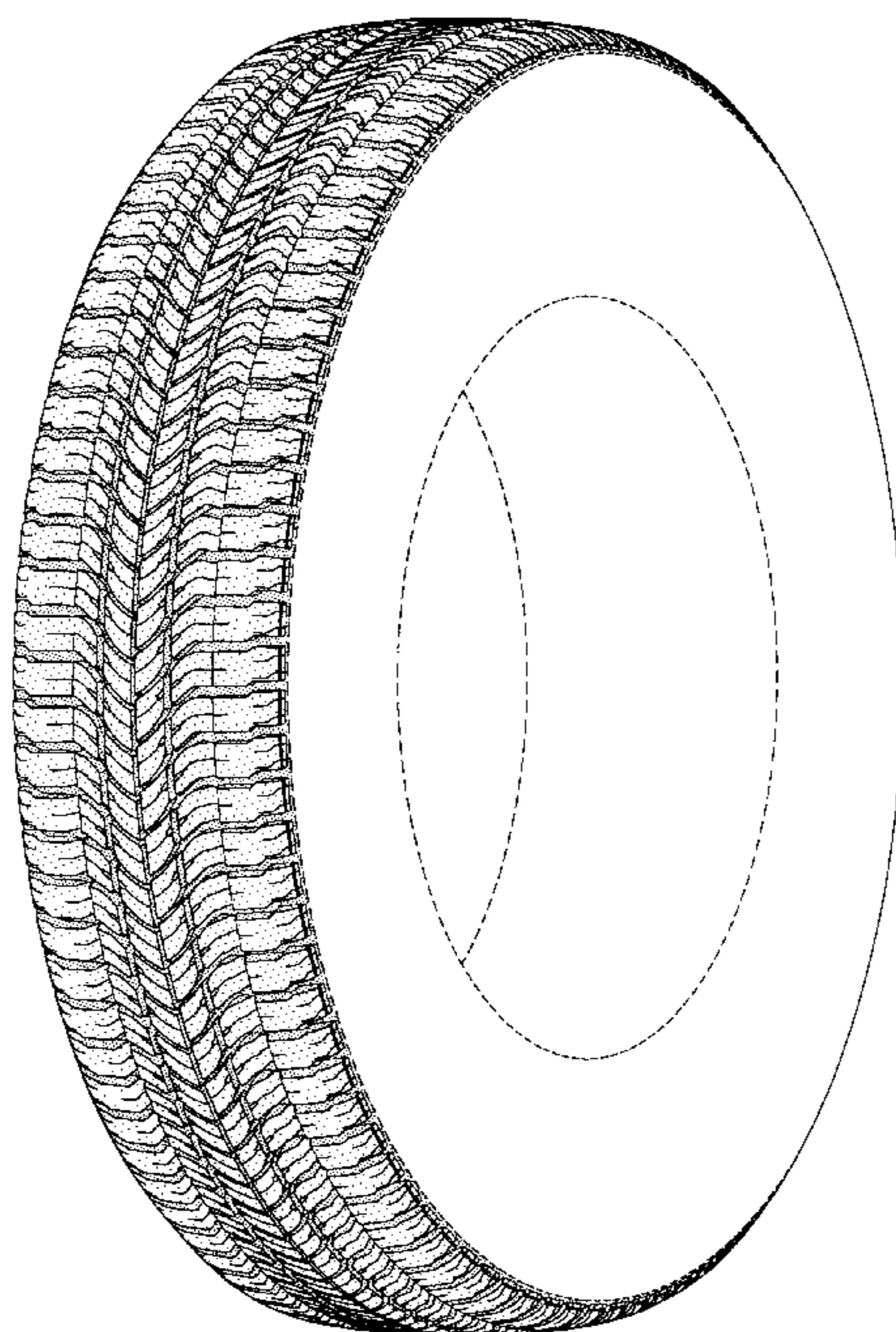
FIG. 1 is a perspective view of a tire tread showing our new design, it being understood that the pattern repeats uniformly throughout the circumference of the tread;
FIG. 2 is a front elevational view thereof;
FIG. 3 is a side elevational view thereof, the opposite side elevational view being a mirror image thereof; and,
FIG. 4 is an enlarged fragmentary perspective view.
In the drawings, the broken lines defining the inner bead of the sidewall and the peripheral boundary between the tire tread and the sidewall are for illustrative purposes only and form no part of the claimed design.

1 Claim, 4 Drawing Sheets

[56] References Cited

U.S. PATENT DOCUMENTS

D. 283,693	5/1986	Haas et al. .	
D. 288,915	3/1987	Kadomaru .	
D. 292,688	11/1987	Fukuchi .	
D. 329,412	9/1992	Maxwell et al. .	
D. 334,364	3/1993	Maitre et al. .	
D. 335,643	5/1993	Hino .	
D. 344,053	2/1994	Attinello et al.	D12/147
D. 348,862	7/1994	Daisho et al. .	
D. 355,153	2/1995	Consolacion et al. .	
D. 362,219	9/1995	McKisson	D12/147
D. 367,452	2/1996	Hammond .	
D. 382,839	8/1997	Labbe et al. .	
D. 383,714	9/1997	Graas et al. .	
D. 384,311	9/1997	Maruyama et al. .	
D. 384,314	9/1997	Heinen	D12/147
4,773,259	9/1988	Yamaoka et al. .	



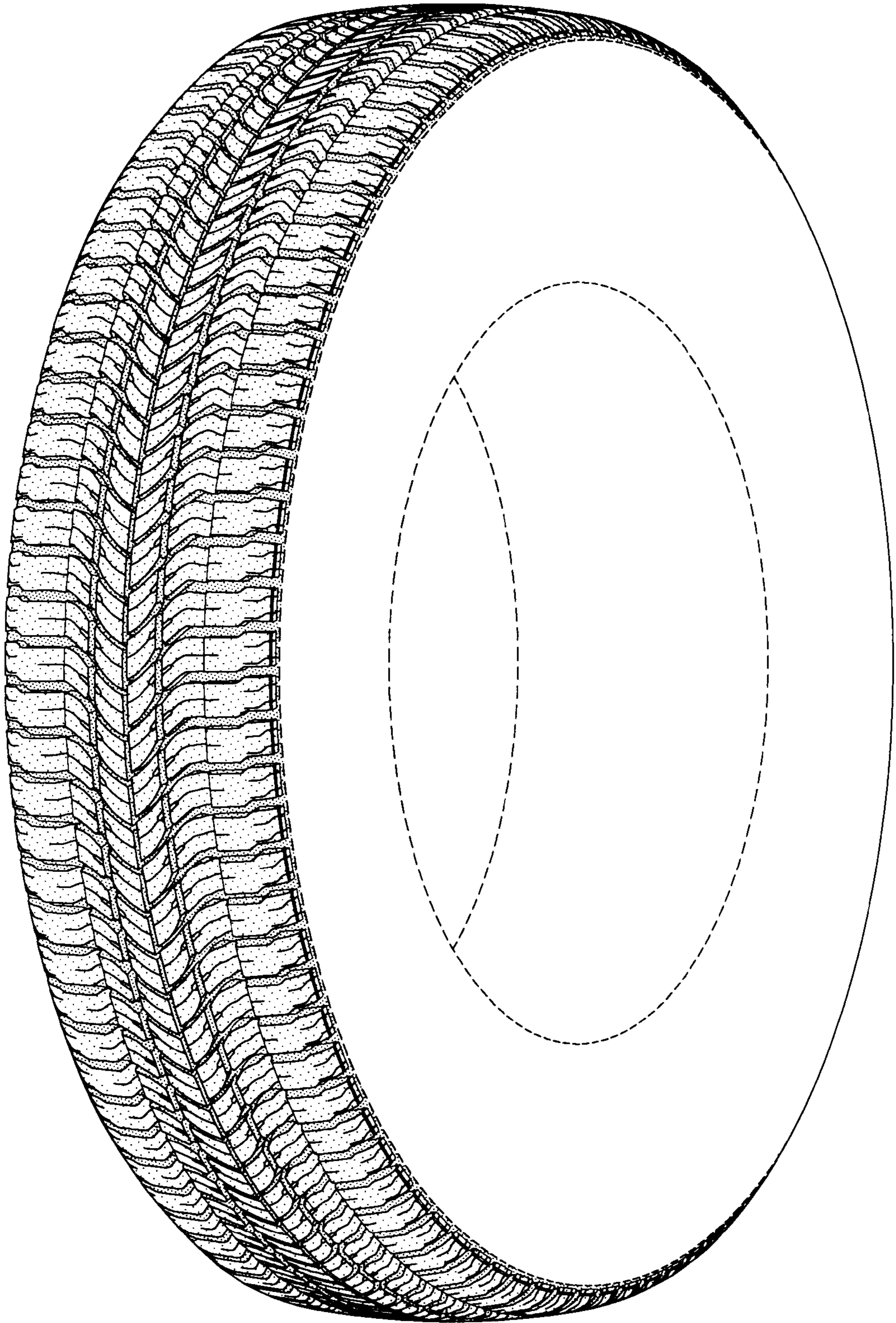


FIG-1

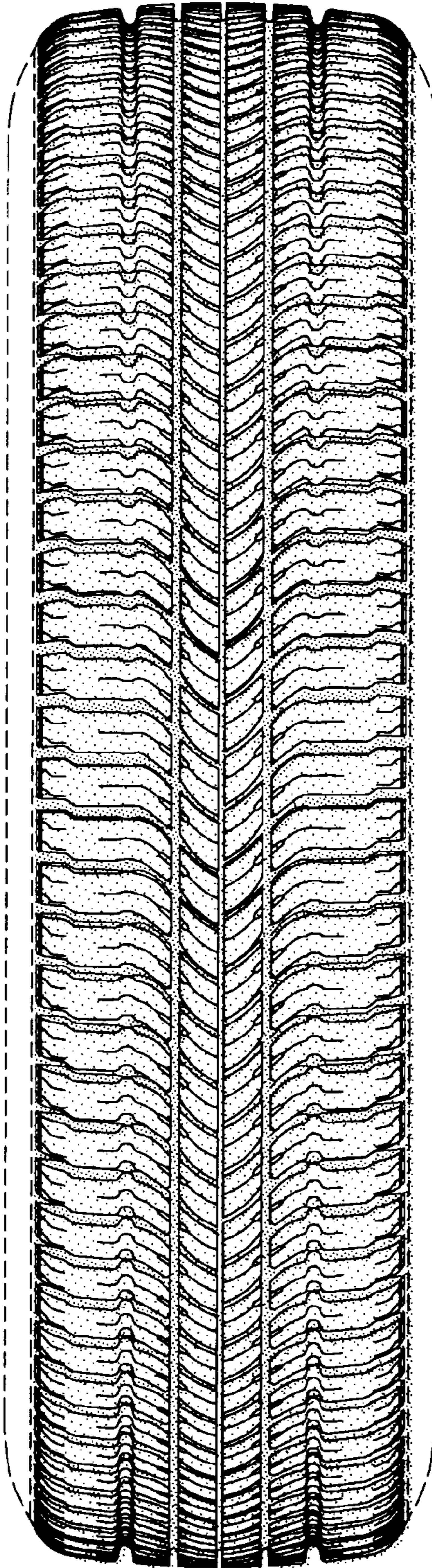


FIG-2

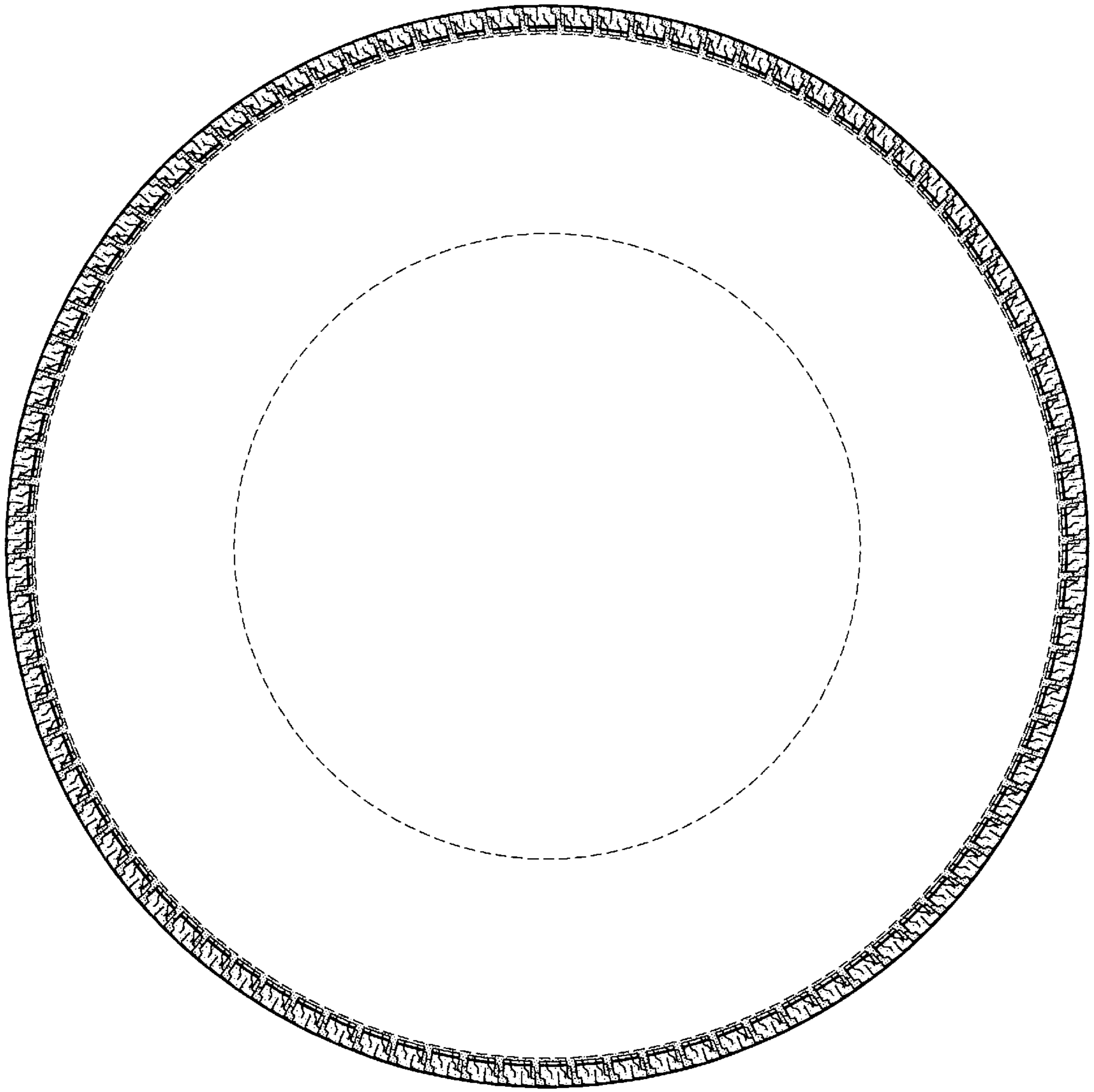


FIG-3

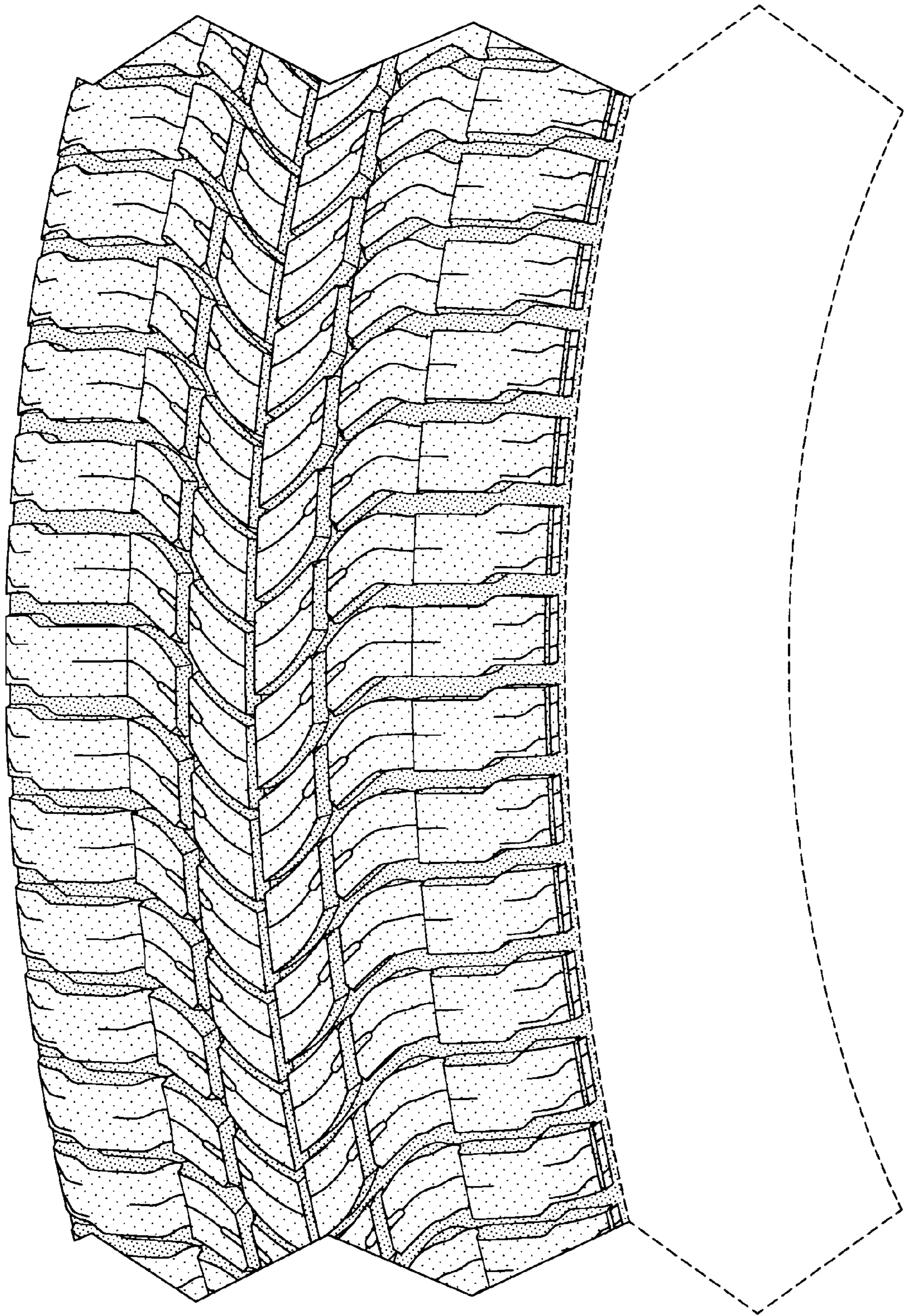


FIG-4