



US00D425828S

United States Patent [19]

[11] Patent Number: Des. 425,828

Ueda

[45] Date of Patent: ** May 30, 2000

[54] BICYCLE CLEAT

DESCRIPTION

[75] Inventor: Yutaka Ueda, Tondabayashi, Japan

FIG. 1 is a top perspective view of a bicycle cleat with a rear projection in accordance with a first embodiment of my new design;

[73] Assignee: Shimano, Inc., Osaka, Japan

FIG. 2 is a top plan view of the bicycle cleat illustrated in FIG. 1;

[**] Term: 14 Years

FIG. 3 is a rear end elevational view of the bicycle cleat illustrated in FIGS. 1 and 2;

[21] Appl. No.: 29/102,174

FIG. 4 is a bottom plan view of the bicycle cleat illustrated in FIGS. 1-3;

[22] Filed: Mar. 18, 1999

FIG. 5 is a front end elevational view of the bicycle cleat illustrated in FIGS. 1-4;

Related U.S. Application Data

[63] Continuation of application No. 09/258,902, Mar. 1, 1999.

FIG. 6 is a right side elevational view of the bicycle cleat illustrated in FIGS. 1-5;

[51] LOC (7) Cl. 12-11

FIG. 7 is a left side elevational view of the bicycle cleat illustrated in FIGS. 1-6;

[52] U.S. Cl. D12/125

[58] Field of Search D12/714, 125;
74/512, 594.4, 594.6

FIG. 8 is a top perspective view of a bicycle cleat without a rear projection in accordance with a second embodiment of my new design;

[56] References Cited

U.S. PATENT DOCUMENTS

D. 387,706	12/1997	Haramura	D12/125
D. 414,723	10/1999	Haramura	D12/125
5,557,985	9/1996	Nagano	74/594.6
5,852,956	12/1998	Chen	74/594.6
5,855,147	1/1999	Nagano	74/594.6 X

FIG. 9 is a top plan view of the bicycle cleat illustrated in FIG. 8;

FIG. 10 is a rear end elevational view of the bicycle cleat illustrated in FIGS. 8 and 9;

Primary Examiner—Melody N. Brown
Attorney, Agent, or Firm—Shinju Global IP Counselors, LLP

FIG. 11 is a bottom plan view of the bicycle cleat illustrated in FIGS. 8-10;

FIG. 12 is a front end elevational view of the bicycle cleat illustrated in FIGS. 8-11;

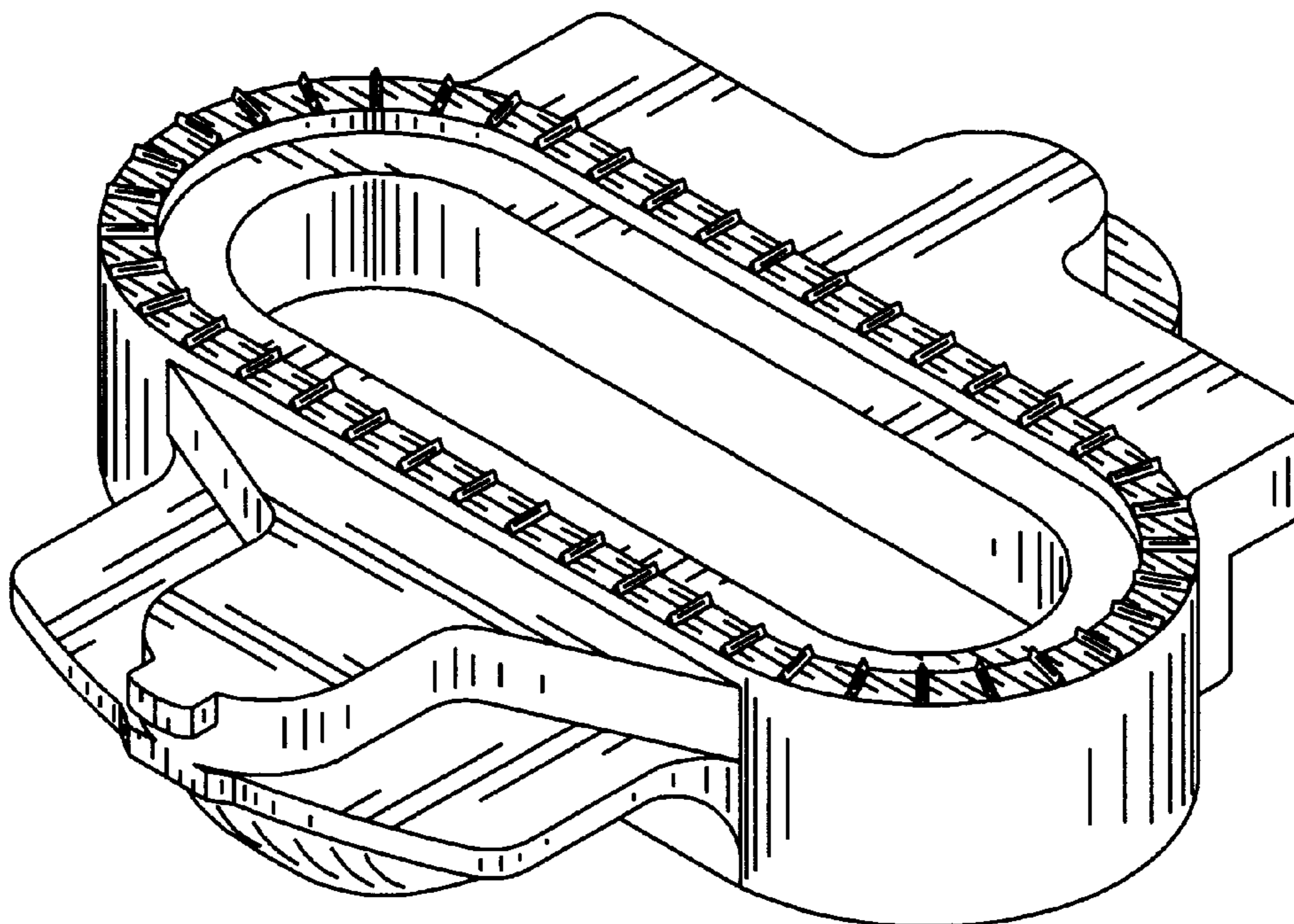
FIG. 13 is a right side elevational view of the bicycle cleat illustrated in FIGS. 8-12; and,

FIG. 14 is a left side elevational view of the bicycle cleat illustrated in FIGS. 8-13.

[57] CLAIM

The ornamental design for a bicycle cleat, as shown and described.

1 Claim, 8 Drawing Sheets



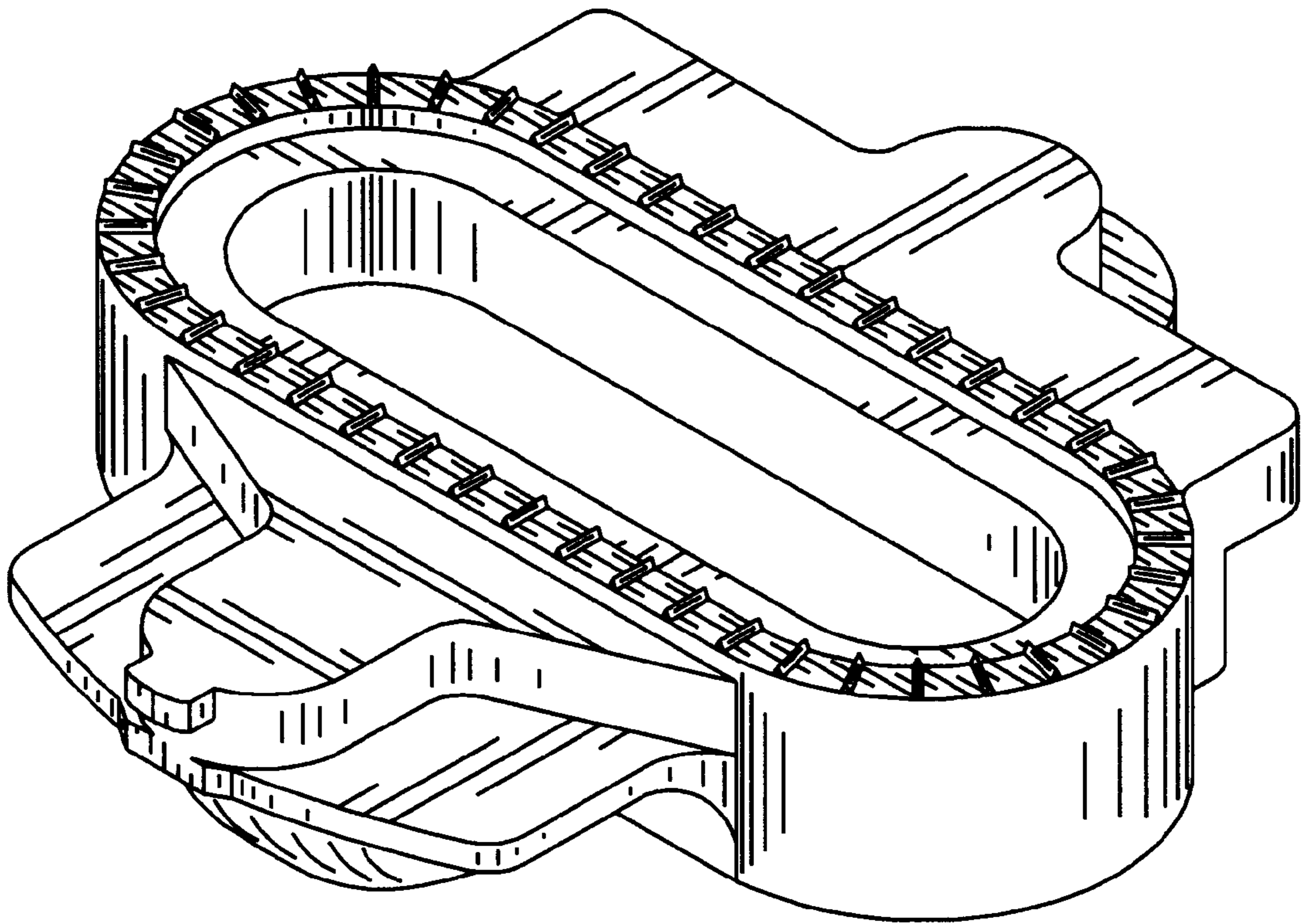


FIG. 1

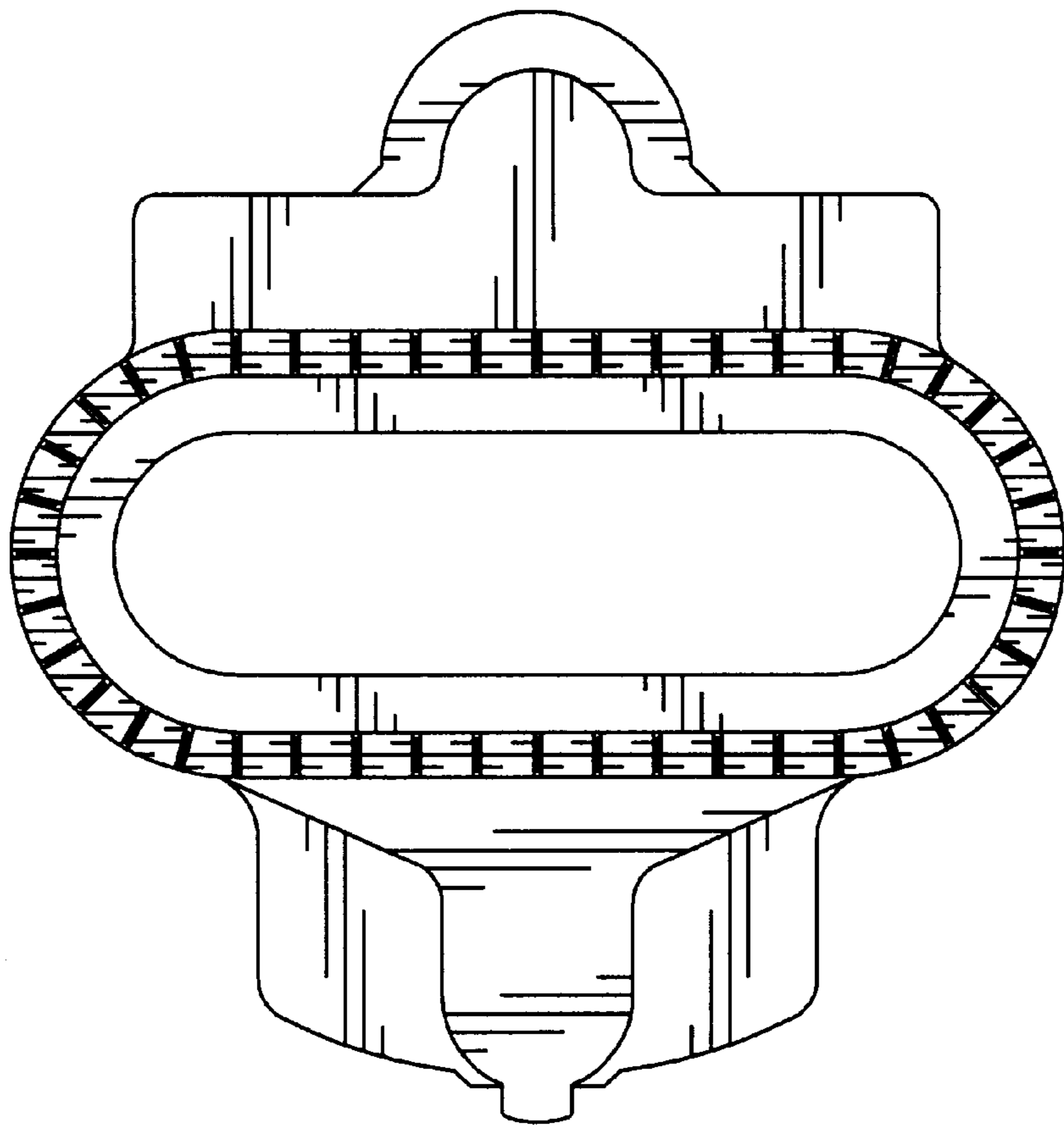


FIG. 2

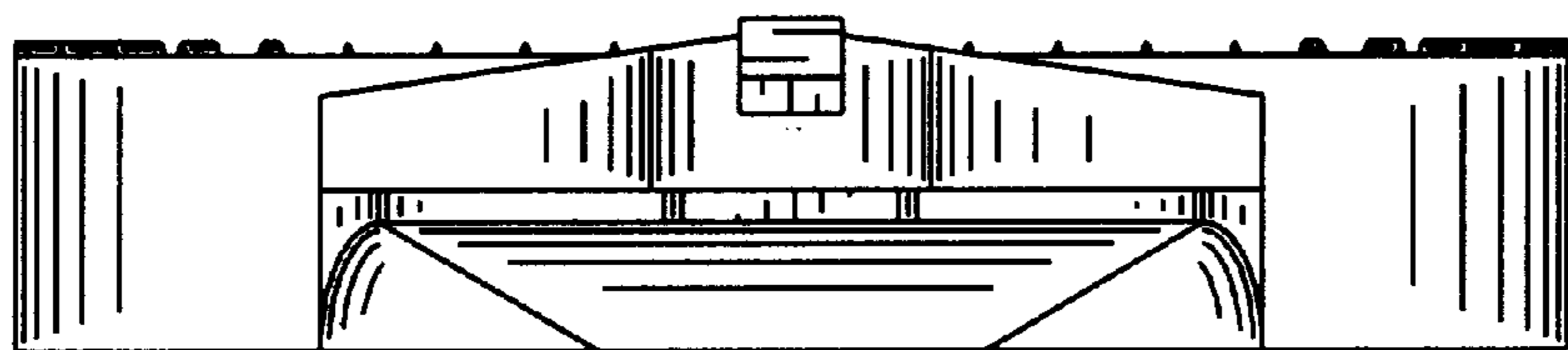


FIG. 3

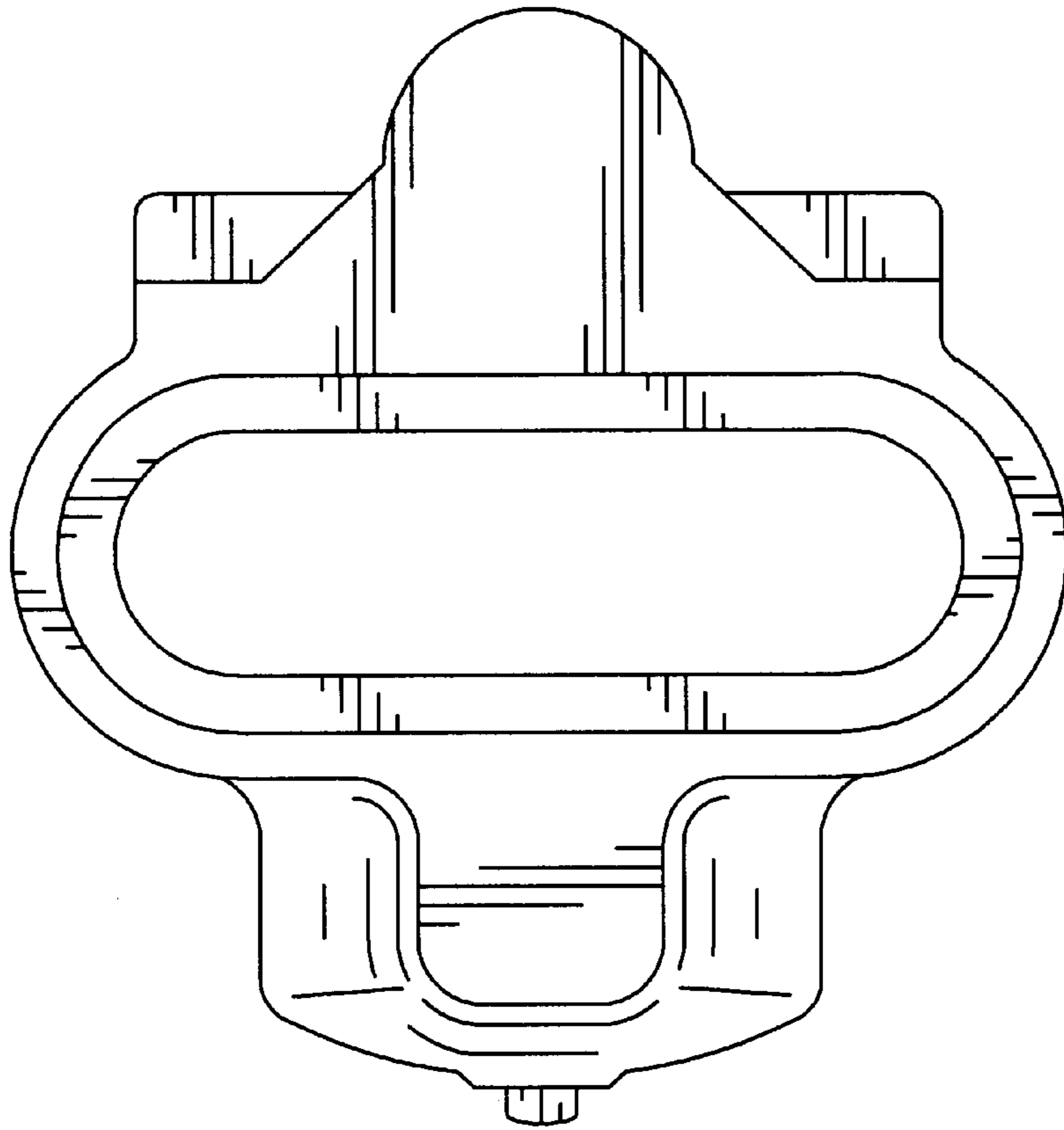


FIG. 4

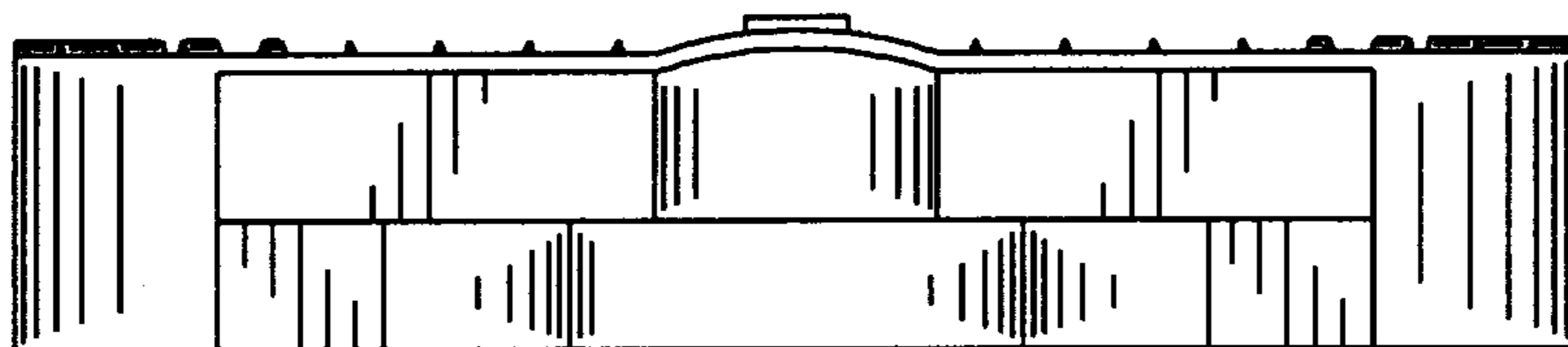


FIG. 5

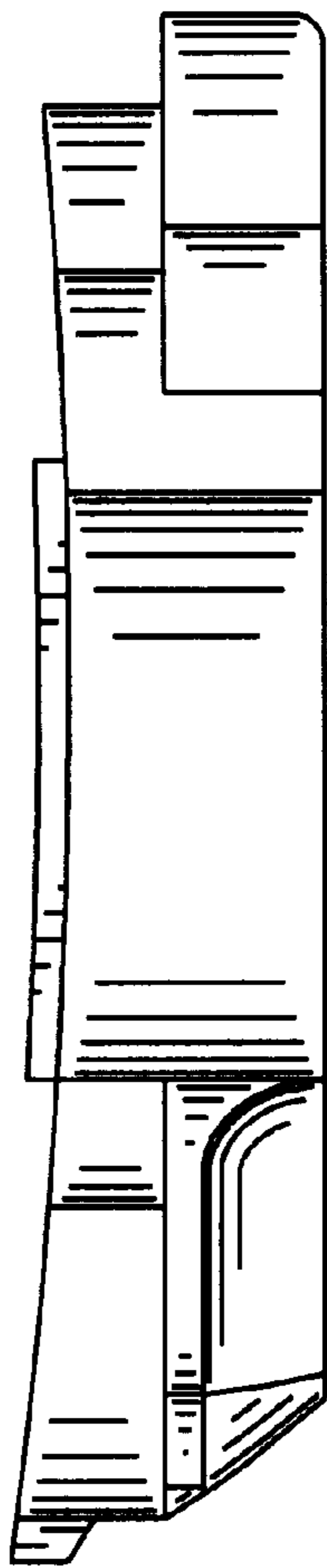


FIG. 6

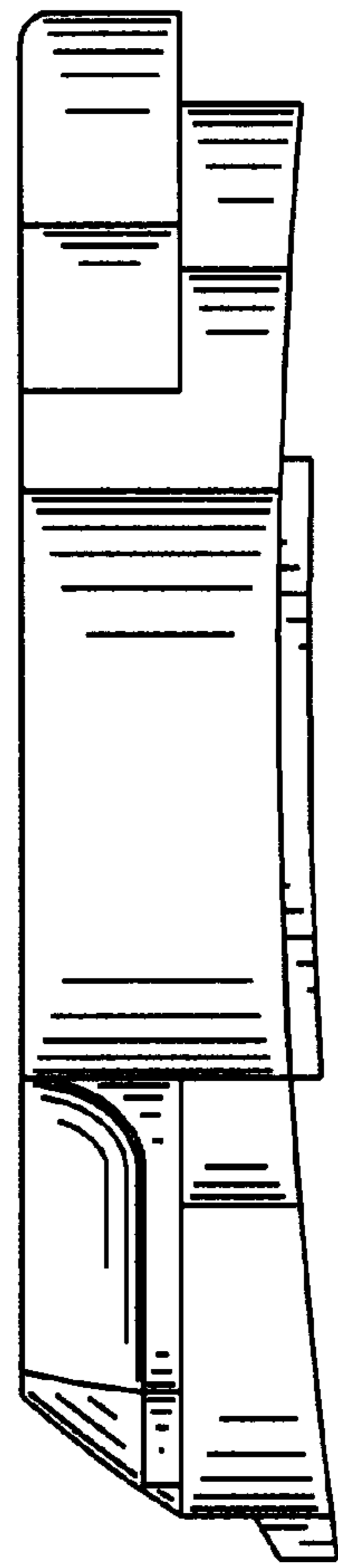


FIG. 7

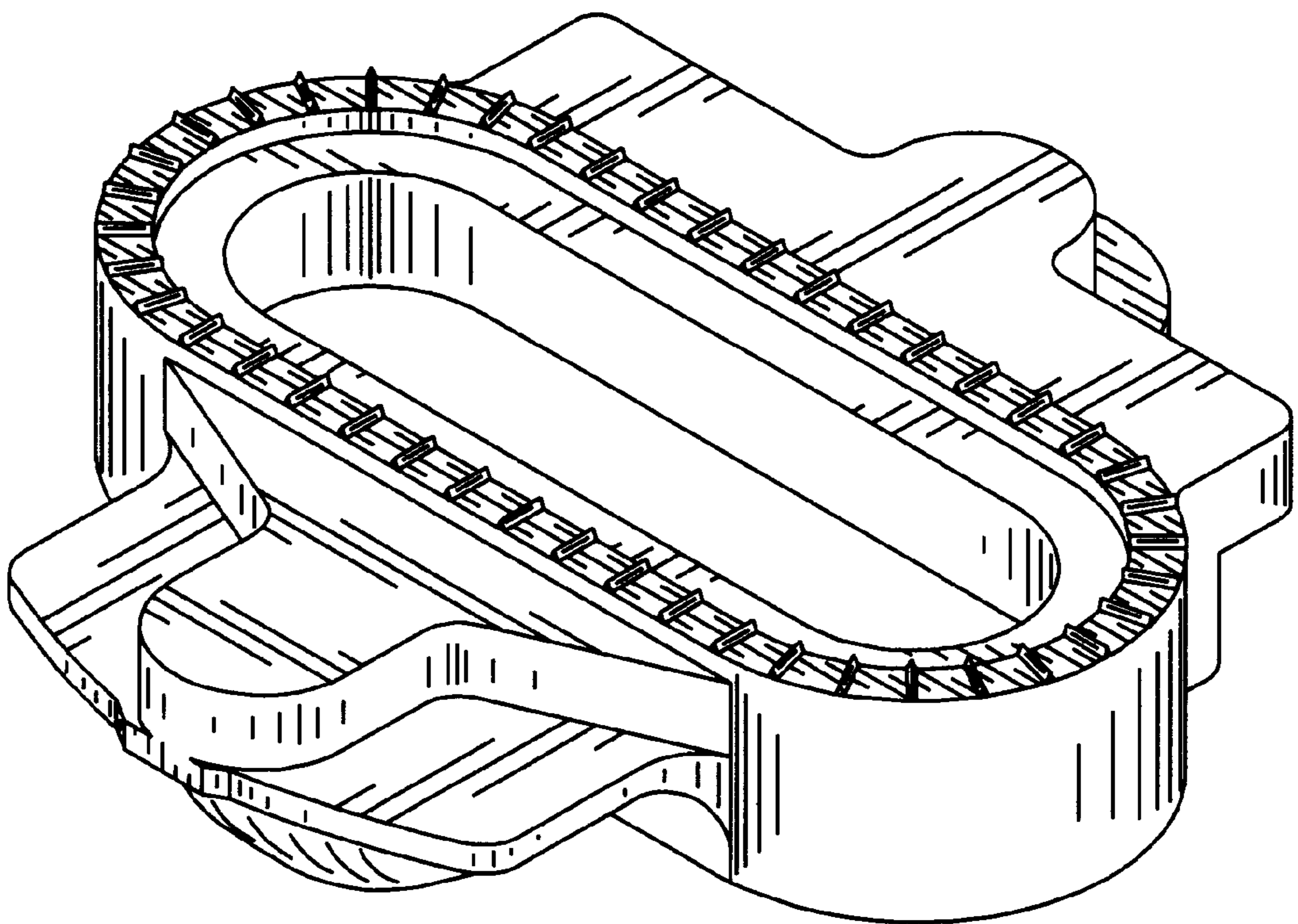


FIG. 8

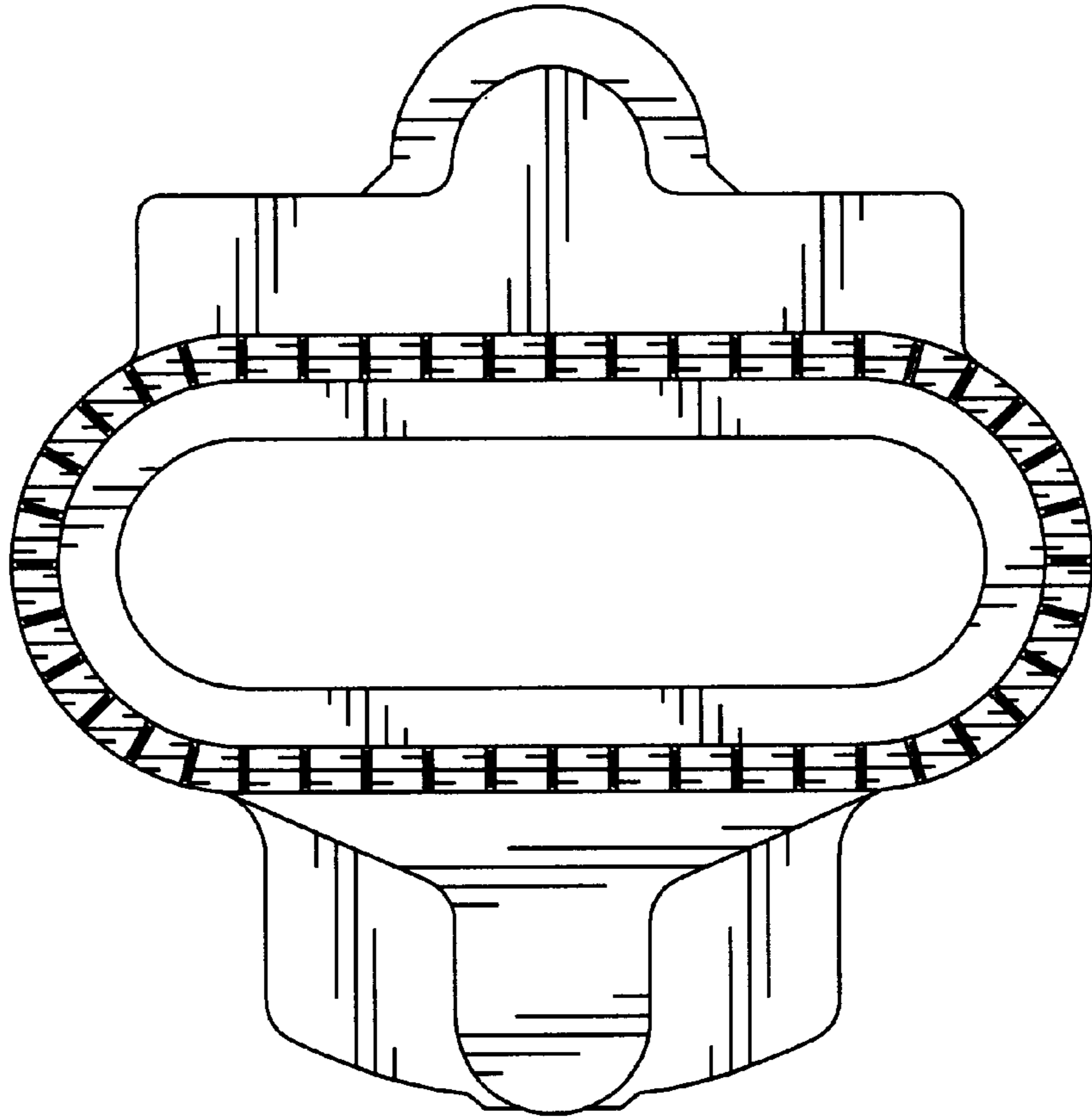


FIG. 9

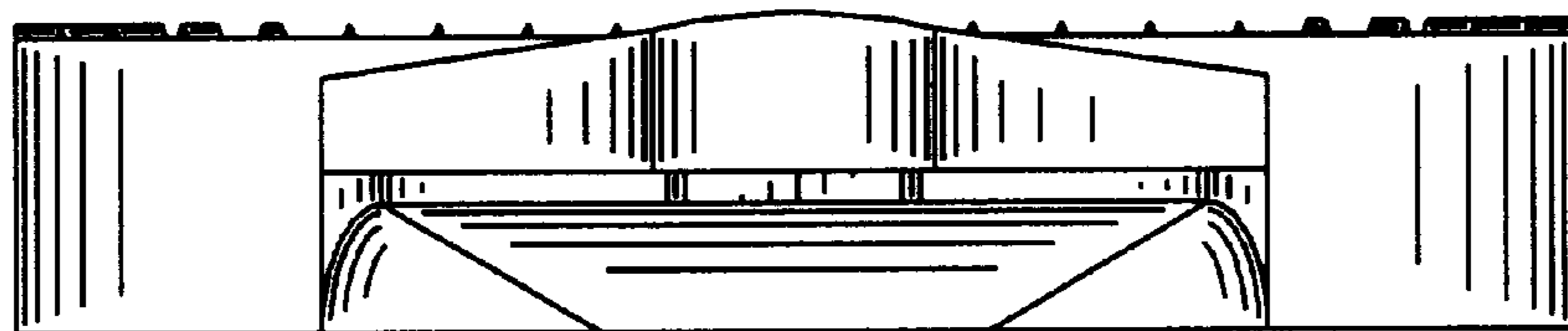


FIG. 10

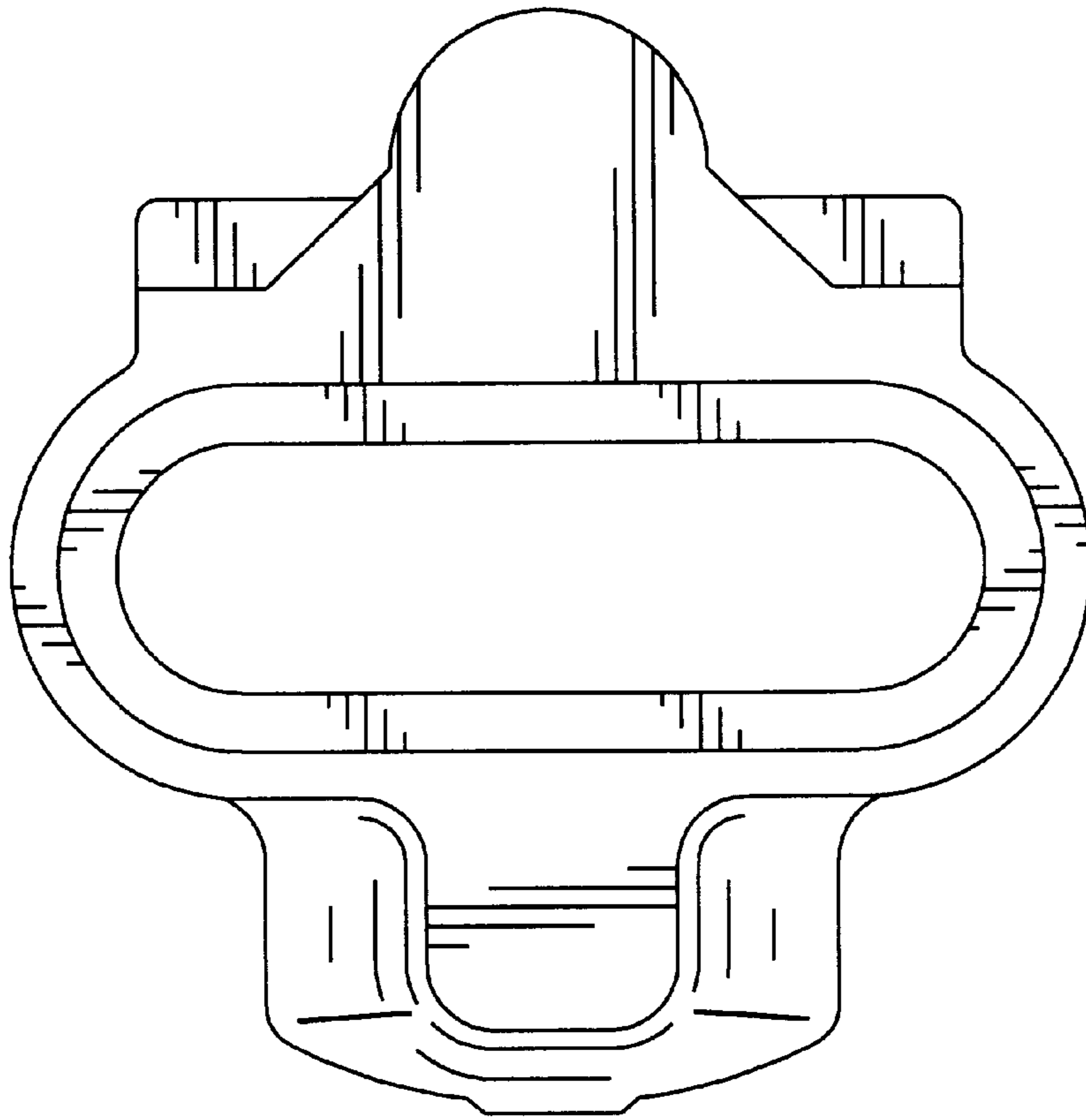


FIG. 11

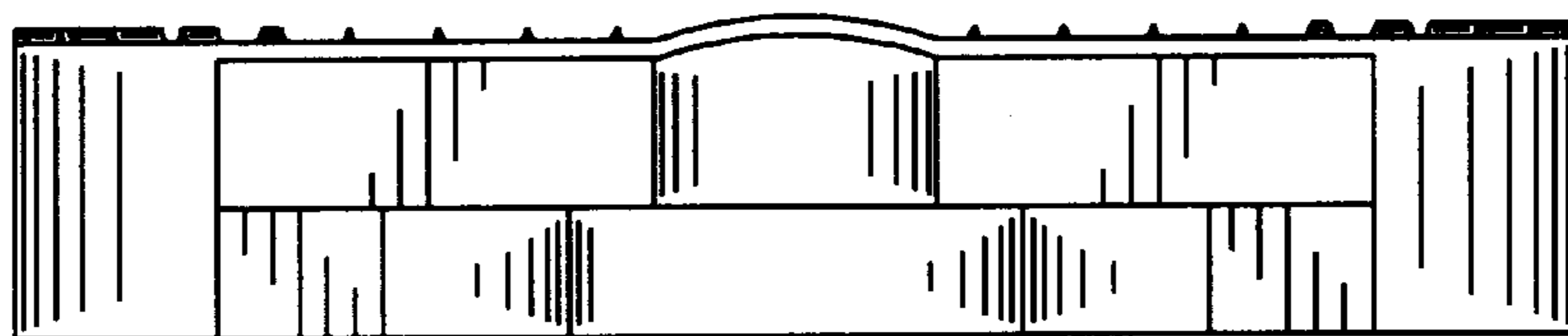


FIG. 12

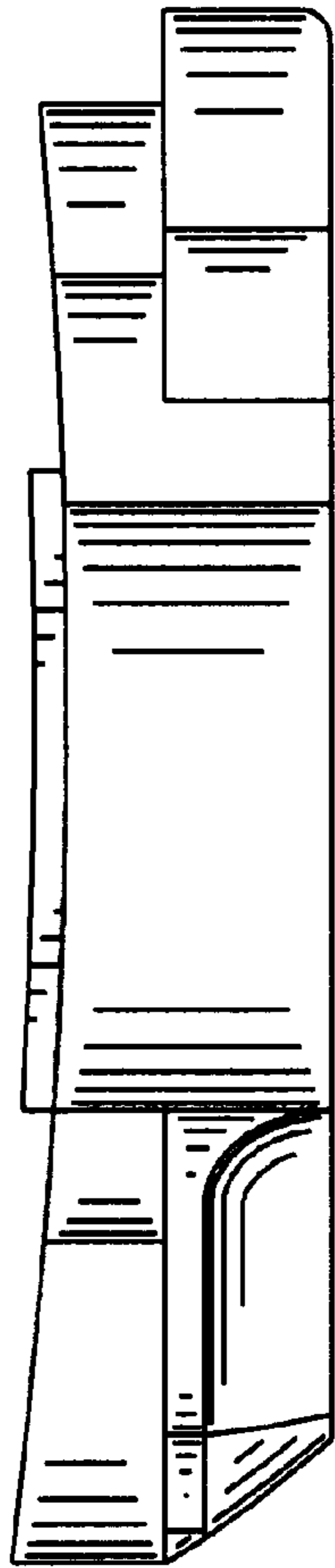


FIG. 13

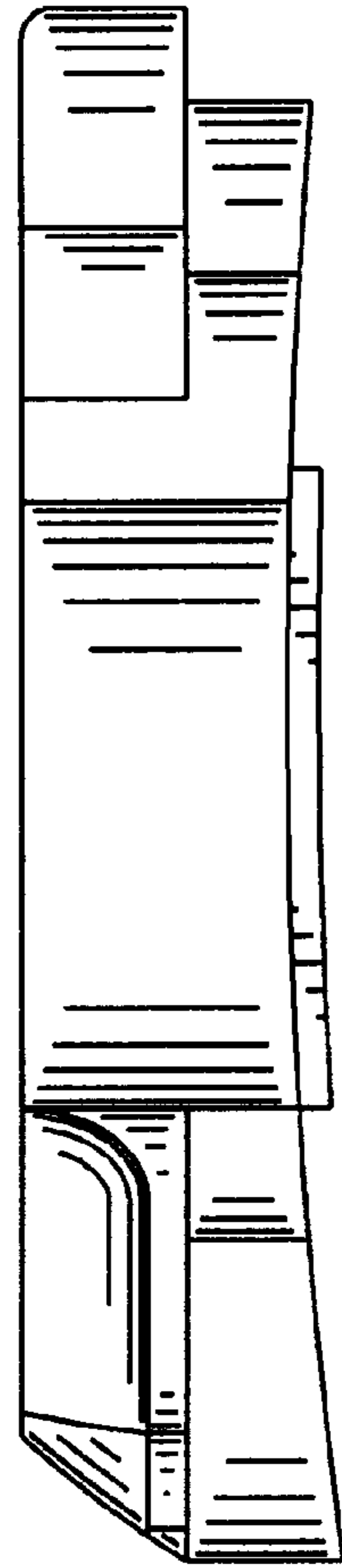


FIG. 14