



US00D425827S

United States Patent [19] Robinson

[11] **Patent Number: Des. 425,827**

[45] **Date of Patent: ** May 30, 2000**

[54] **ADULT TRICYCLE**

[76] Inventor: **Ronald G. Robinson**, 3266 Black Oak Ct., Hamilton, Ohio 45011

[**] Term: **14 Years**

[21] Appl. No.: **29/108,595**

[22] Filed: **Aug. 2, 1999**

[51] **LOC (7) Cl.** **12-11**

[52] **U.S. Cl.** **D12/112**

[58] **Field of Search** D12/112; 280/267, 280/282, 259, 269, 288.1, 281.1, 201

[56] **References Cited**

U.S. PATENT DOCUMENTS

D. 148,055	12/1947	Eubank	D12/112
D. 320,586	10/1991	Tellinghuisen	D12/112
D. 385,230	10/1997	Han et al.	D12/112
4,451,064	5/1984	Perkins	280/259
4,786,070	11/1988	Adee	280/288.1

5,201,538	4/1993	Mayn	280/288.1
5,509,678	4/1996	Ullman et al.	280/281.1
5,620,196	4/1997	Belik	280/281.1
5,851,017	12/1998	Eden	280/201

Primary Examiner—Pamela Burgess
Attorney, Agent, or Firm—Neal O. Willmann

[57] **CLAIM**

The ornamental design for an adult tricycle, as shown and described.

DESCRIPTION

FIG. 1 is a left-side elevational view showing my new design for an adult tricycle.

FIG. 2 is a top plan view thereof.

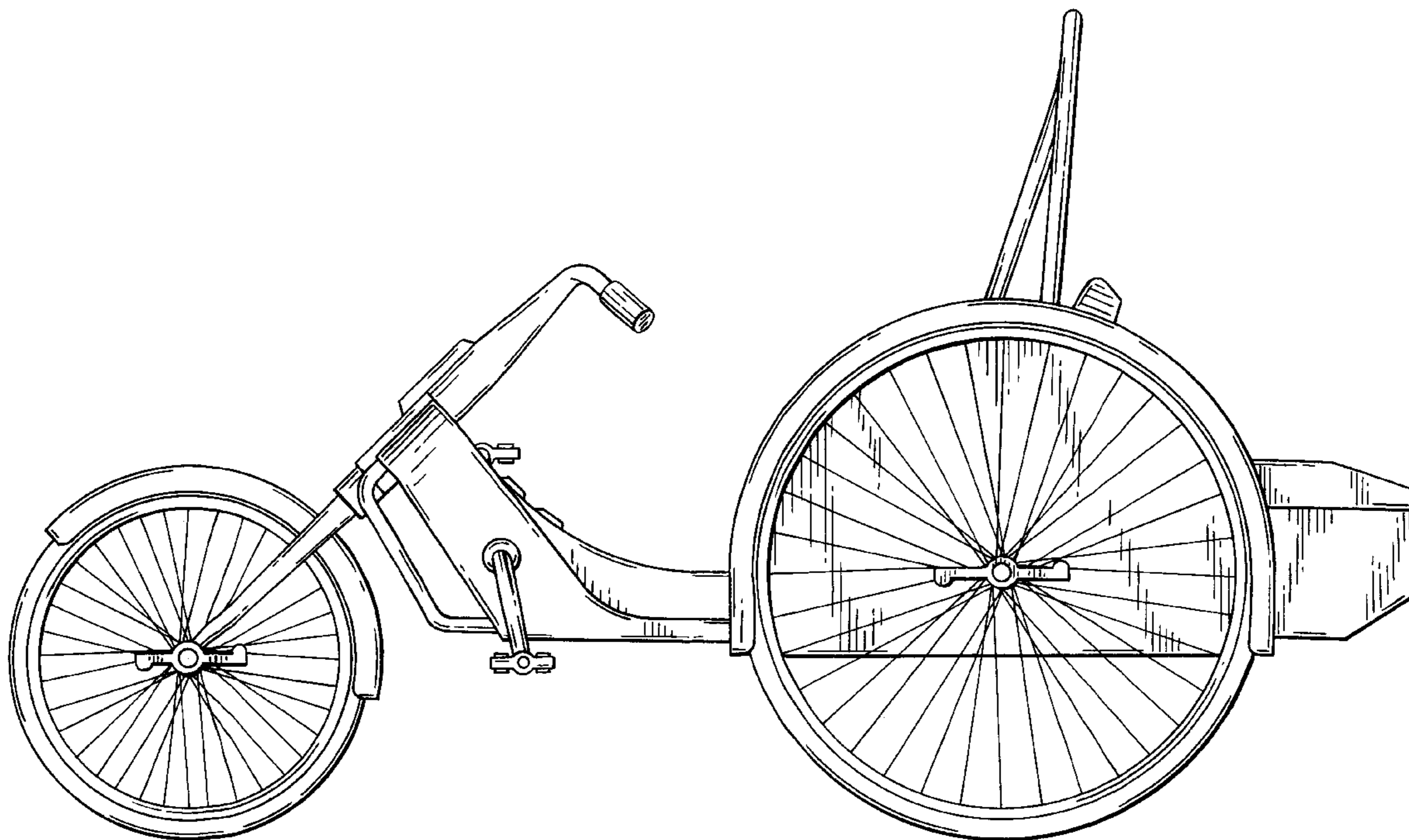
FIG. 3 is a right-side elevational view thereof.

FIG. 4 is a front elevational view thereof.

FIG. 5 is a rear elevational view thereof; and,

FIG. 6 is a partial sectional view of my new design taken along line 6—6 of FIG. 2.

1 Claim, 5 Drawing Sheets



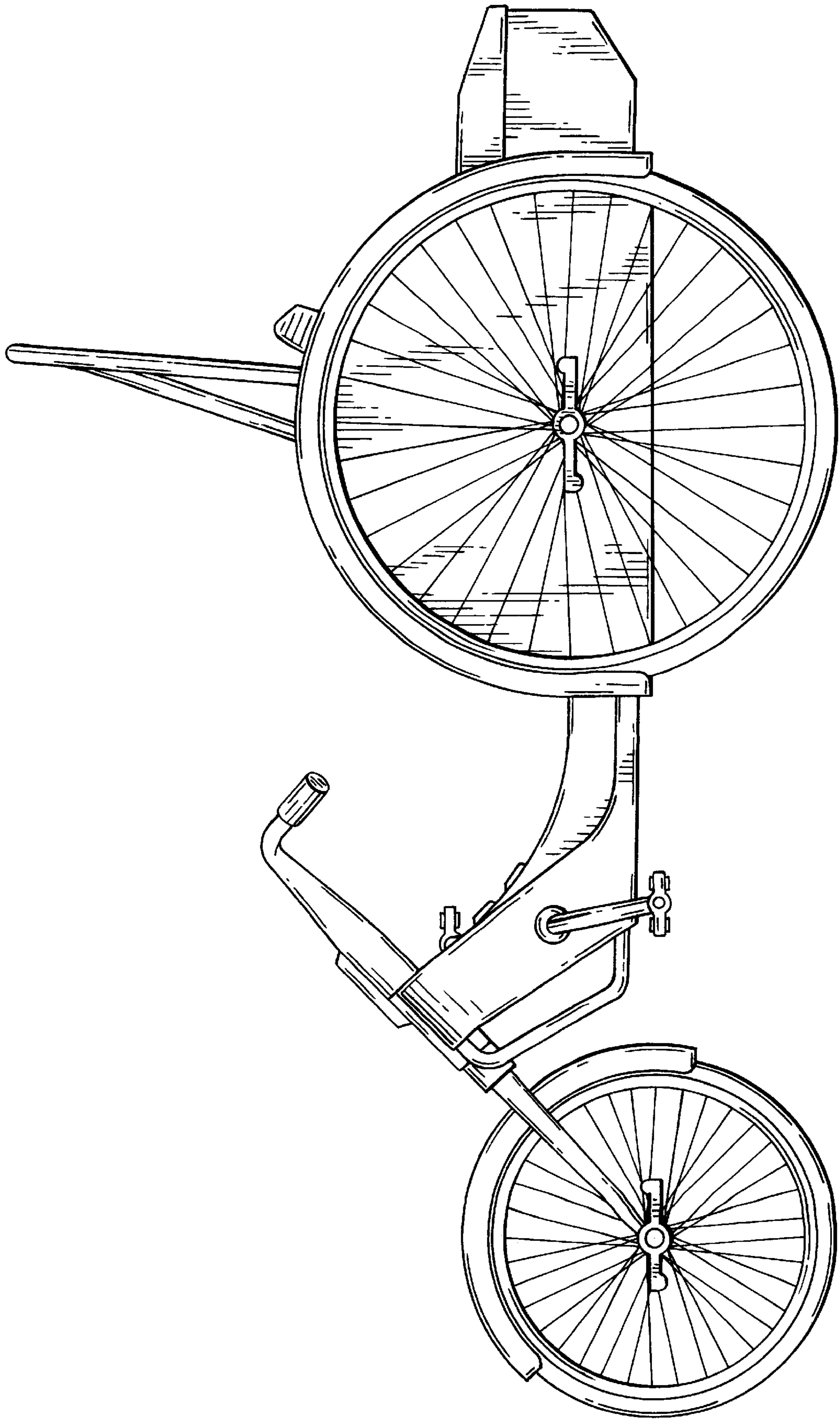


FIG. 1

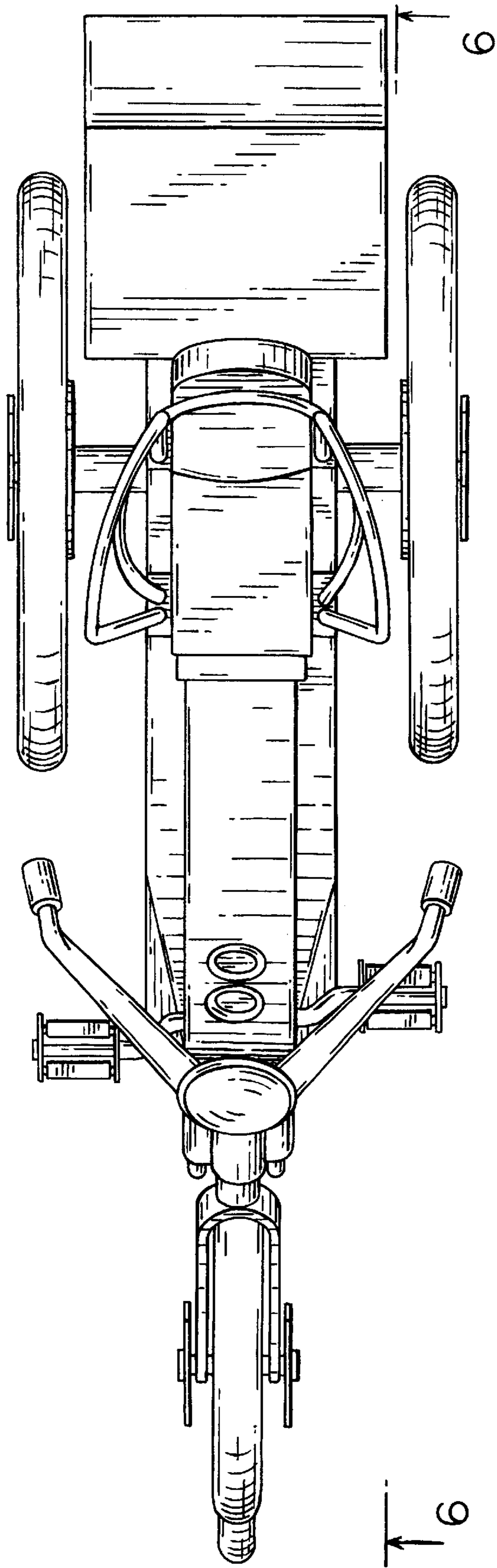


FIG. 2

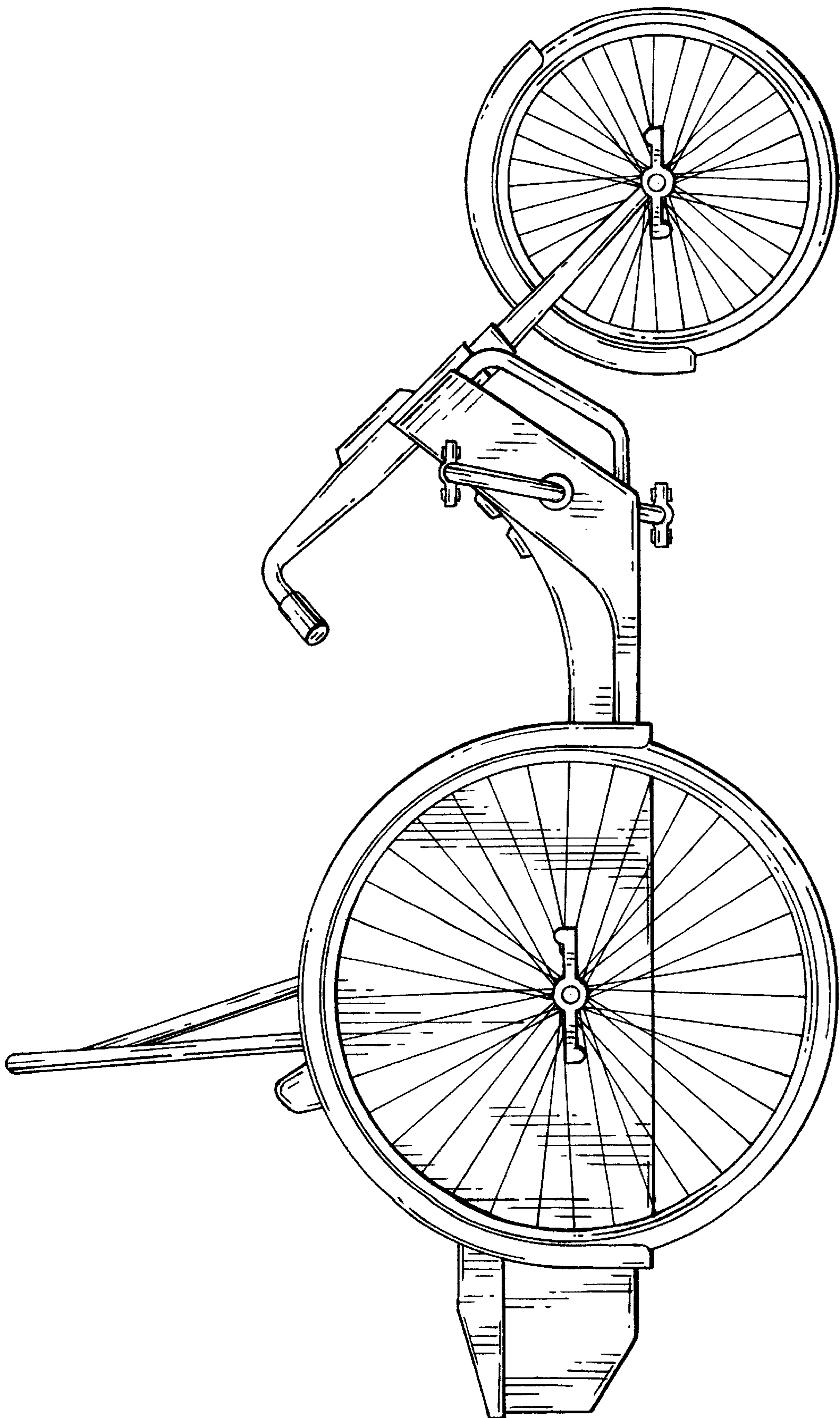


FIG. 3

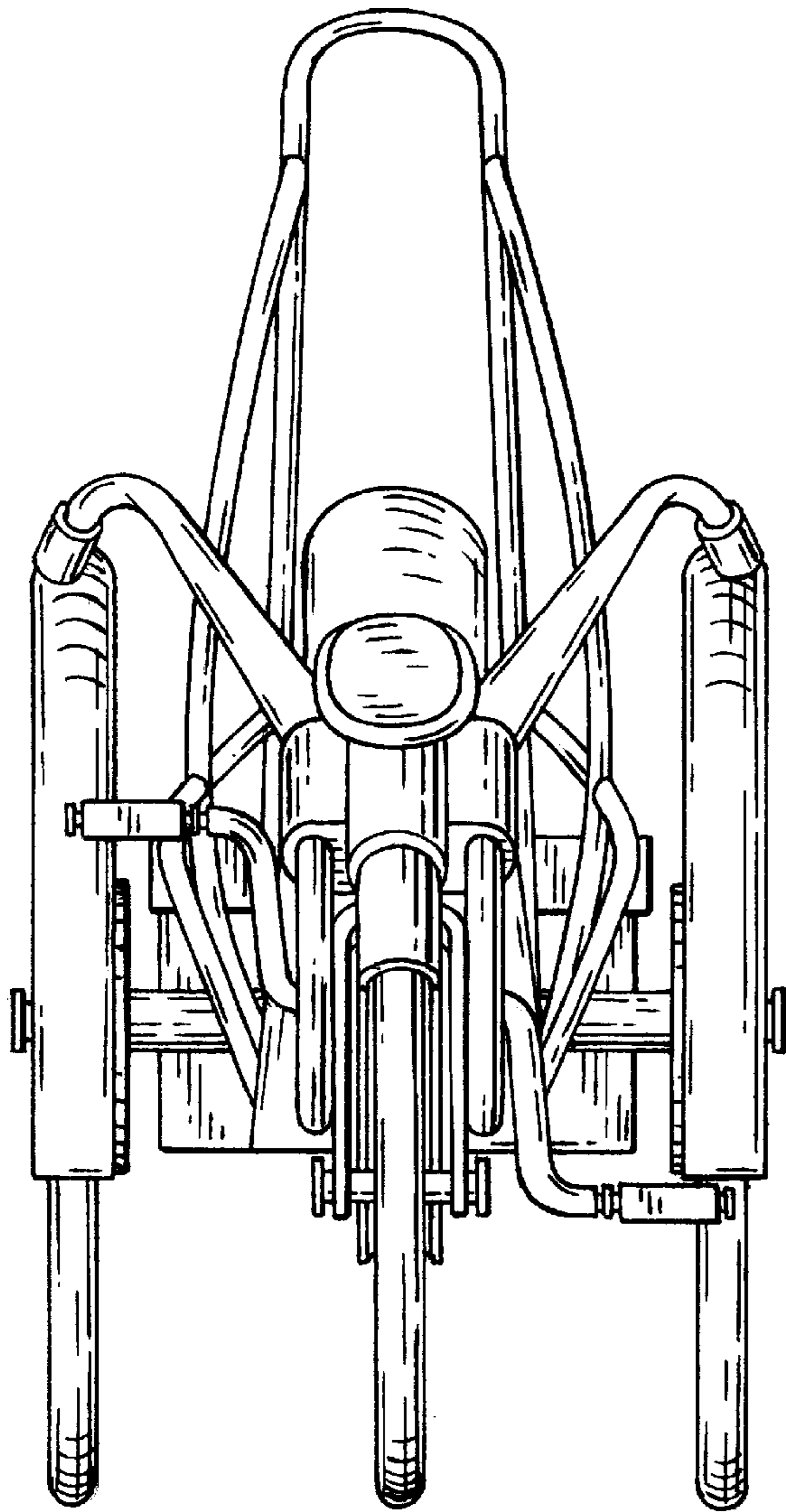


FIG. 4

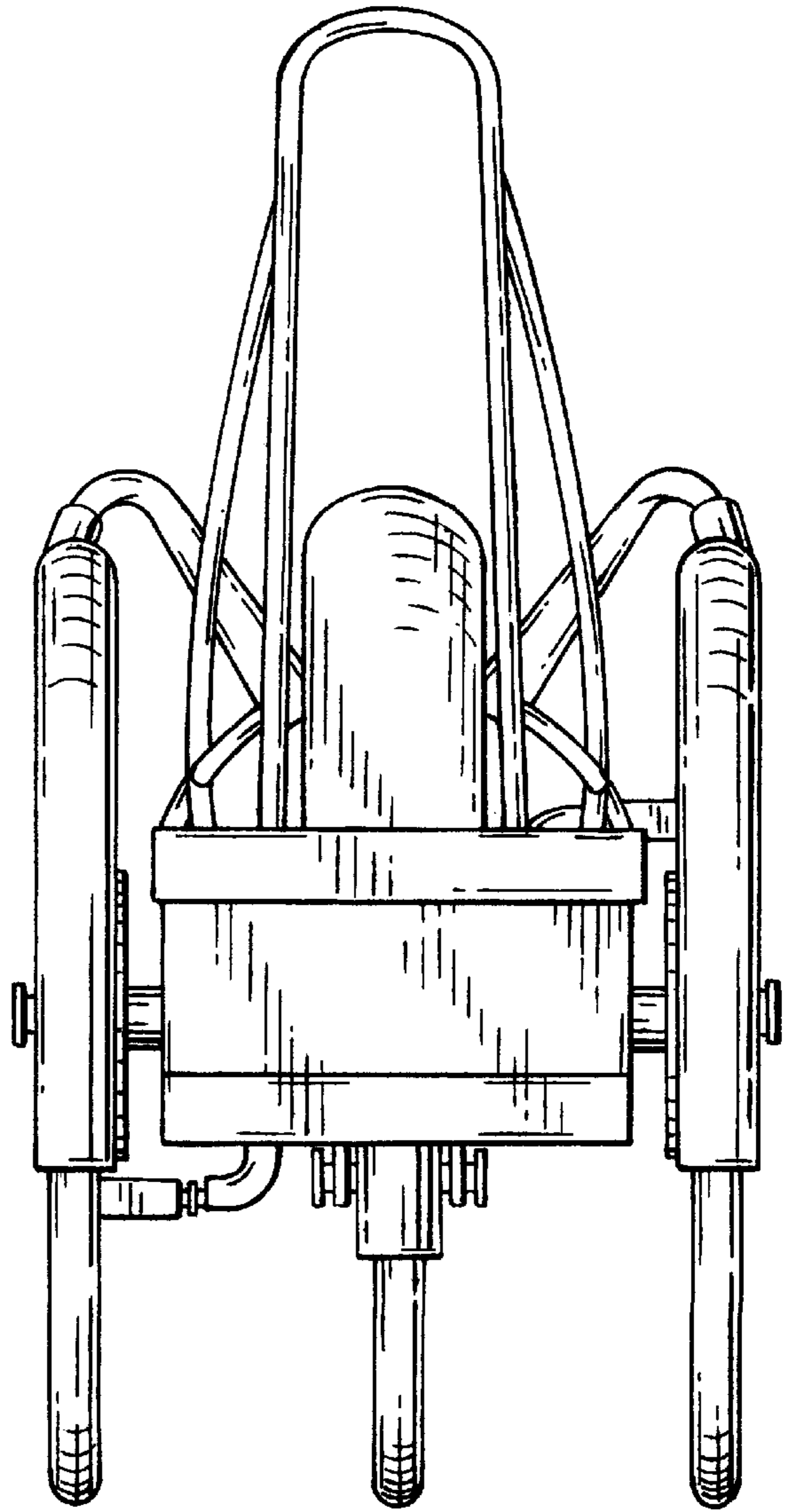


FIG. 5

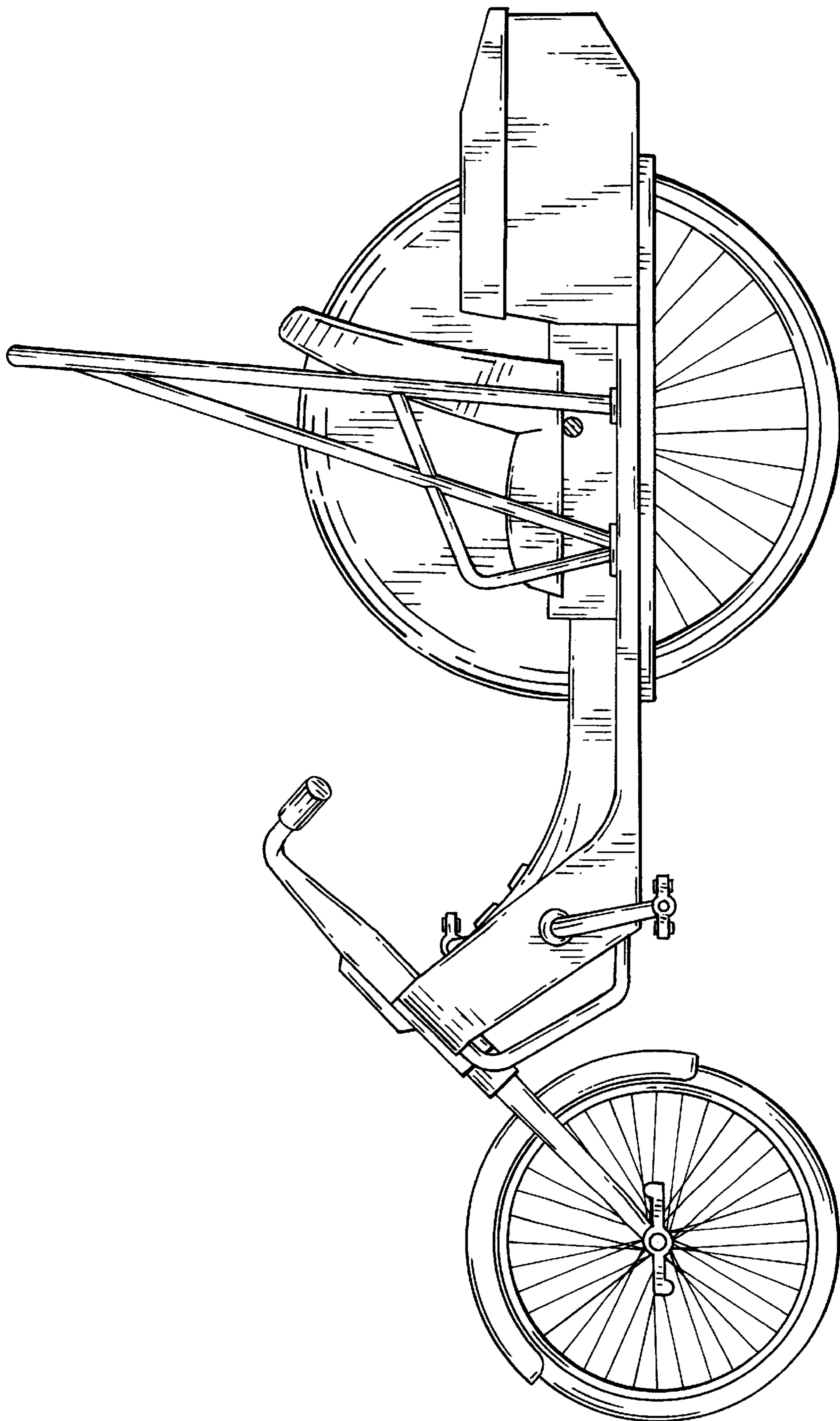


FIG. 6