



US00D425813S

**United States Patent** [19]  
**Galfidi, Jr.**

[11] **Patent Number: Des. 425,813**

[45] **Date of Patent: \*\* May 30, 2000**

[54] **TURKEY CALL**

D. 395,837 2/1998 Davis, Jr. .... D10/119  
D. 417,635 12/1999 Conrad ..... D10/119

[76] Inventor: **Joe Galfidi, Jr.**, 8738 Tyler Blvd.,  
Mentor, Ohio 44060

*Primary Examiner*—Marcus A. Jackson  
*Attorney, Agent, or Firm*—Joseph H. Taddeo

[\*\*] Term: **14 Years**

[57] **CLAIM**

[21] Appl. No.: **29/106,874**

The ornamental design for a turkey call, as shown and described.

[22] Filed: **Jun. 24, 1999**

**DESCRIPTION**

[51] **LOC (7) Cl.** ..... **10-05**

[52] **U.S. Cl.** ..... **D10/119**

[58] **Field of Search** ..... D10/109, 116,  
D10/119, 121; 446/202, 203, 204, 205,  
206, 207, 208, 209

FIG. 1 is a front view of my new design; (rear view is a mirror image);

FIG. 2 is a partial side view thereof, taken on through 2—2 of FIG. 1; and,

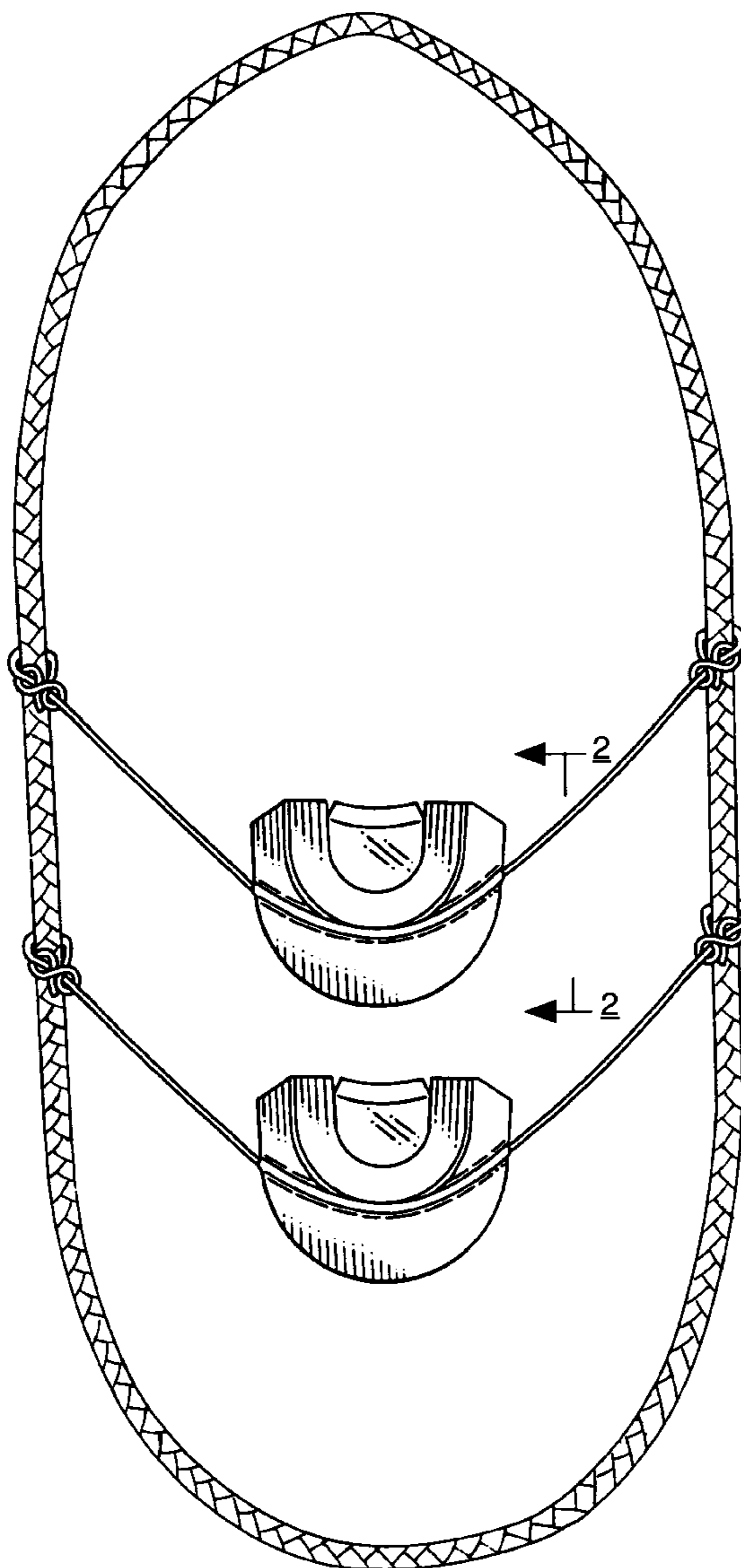
FIG. 3 is a front view of another embodiment of FIG. 1, there are no ornamental design features for other views of this embodiment of the turkey call.

[56] **References Cited**

**U.S. PATENT DOCUMENTS**

D. 313,768 1/1991 White, Jr. .... D10/119

**1 Claim, 2 Drawing Sheets**



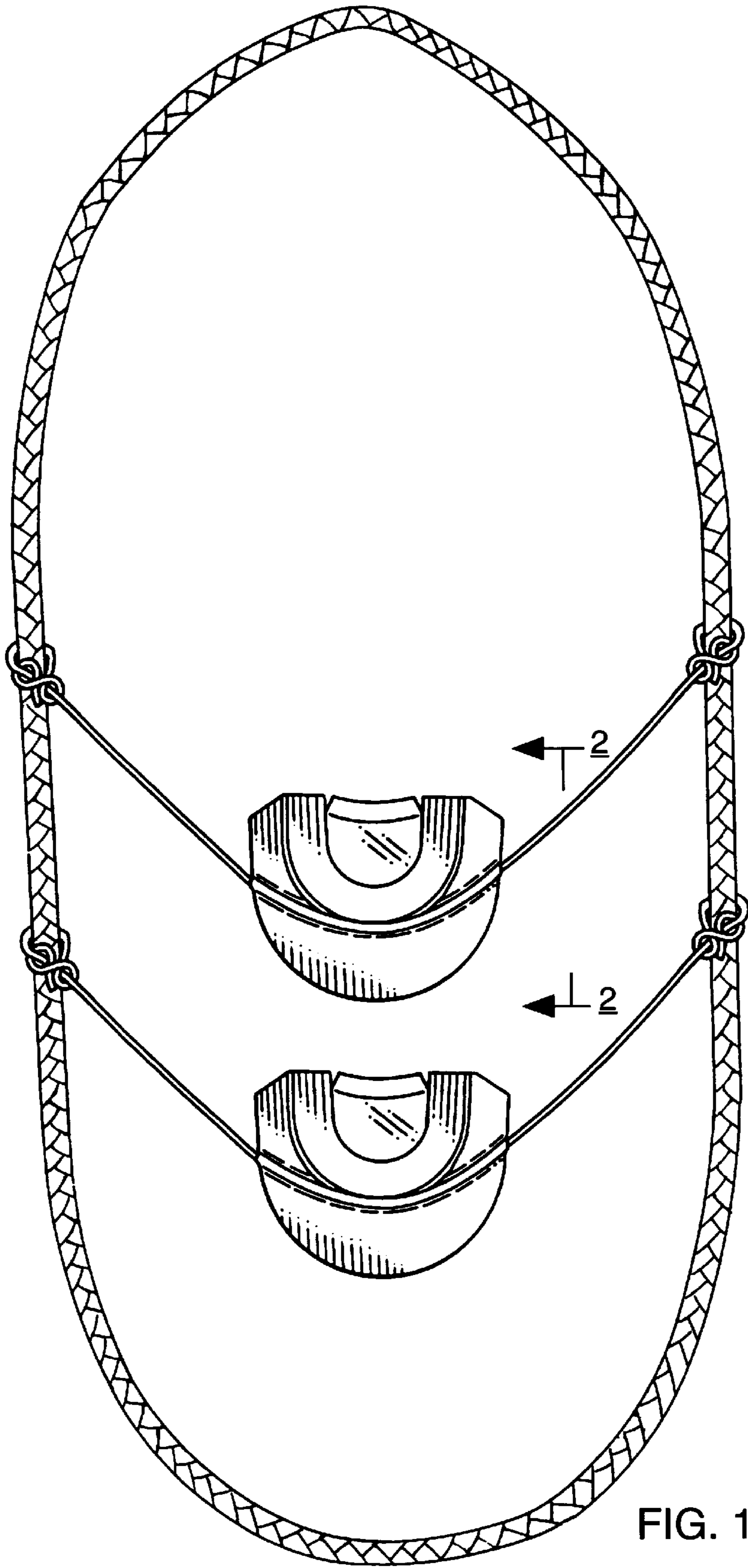


FIG. 2

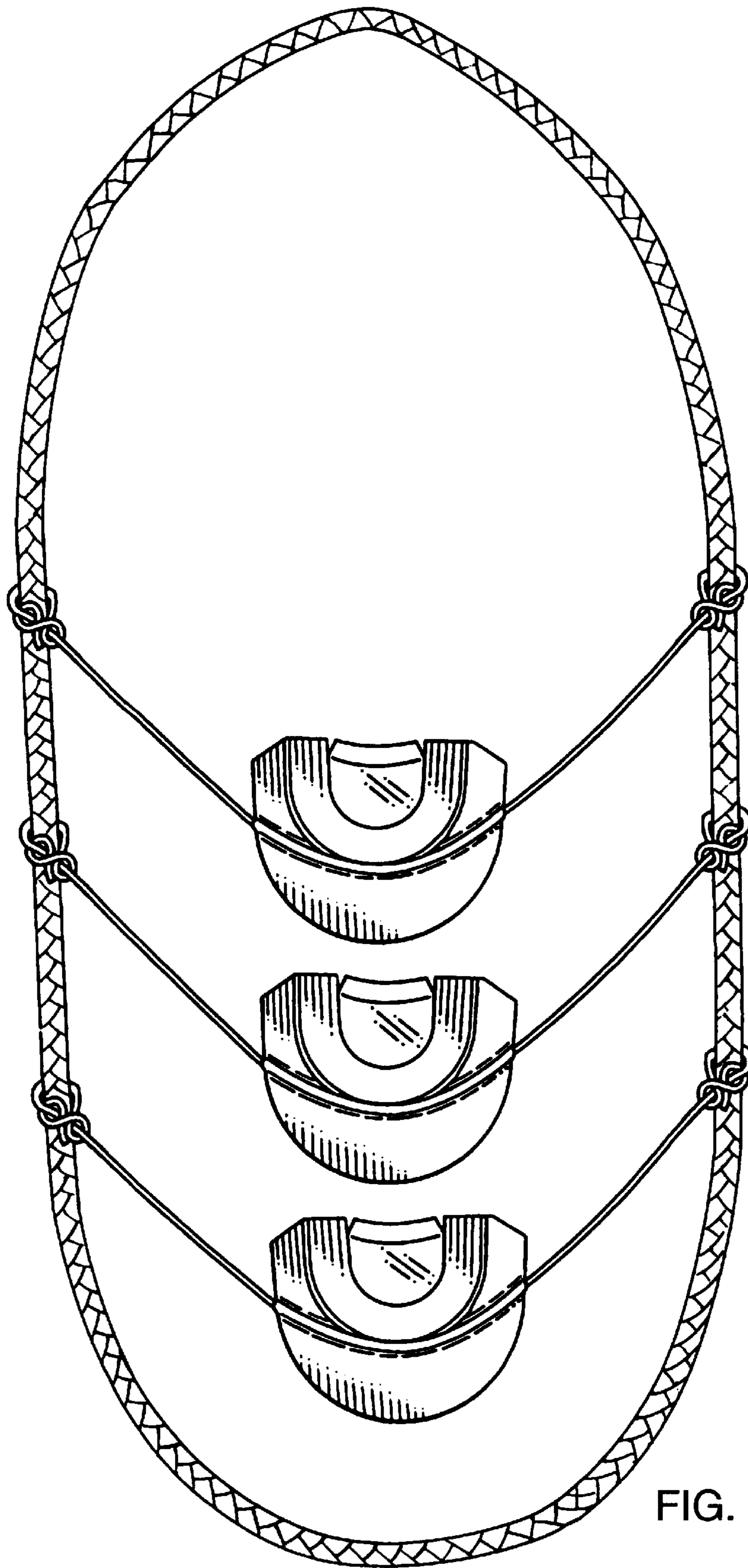


FIG. 3