



US00D425811S

**United States Patent** [19]  
**Dohrmann**

[11] **Patent Number: Des. 425,811**

[45] **Date of Patent: \*\* May 30, 2000**

[54] **ALARM UNIT**

[75] Inventor: **Anthony Dohrmann**, Carlsbad, Calif.

[73] Assignee: **Dohrmann Industries Inc**, Owens Crossroad, Ala.

[\*\*] Term: **14 Years**

[21] Appl. No.: **29/108,956**

[22] Filed: **Aug. 9, 1999**

[51] **LOC (7) Cl.** ..... **10-05**

[52] **U.S. Cl.** ..... **D10/106**

[58] **Field of Search** ..... D10/104, 106, D10/116, 121; D13/158; 250/221, 341

[56] **References Cited**

**U.S. PATENT DOCUMENTS**

D. 339,107 9/1993 Van Genechten ..... D13/158

*Primary Examiner*—Marcus A. Jackson  
*Attorney, Agent, or Firm*—Parsons & Goltry; Robert A. Parsons; Michael W. Goltry

[57] **CLAIM**

The ornamental design for an alarm unit, as shown and described.

**DESCRIPTION**

FIG. 1 is a rear perspective view of an alarm unit showing my new design;

FIG. 2 is a front perspective view thereof;

FIG. 3 is a rear elevational view thereof;

FIG. 4 is a right side elevational view thereof;

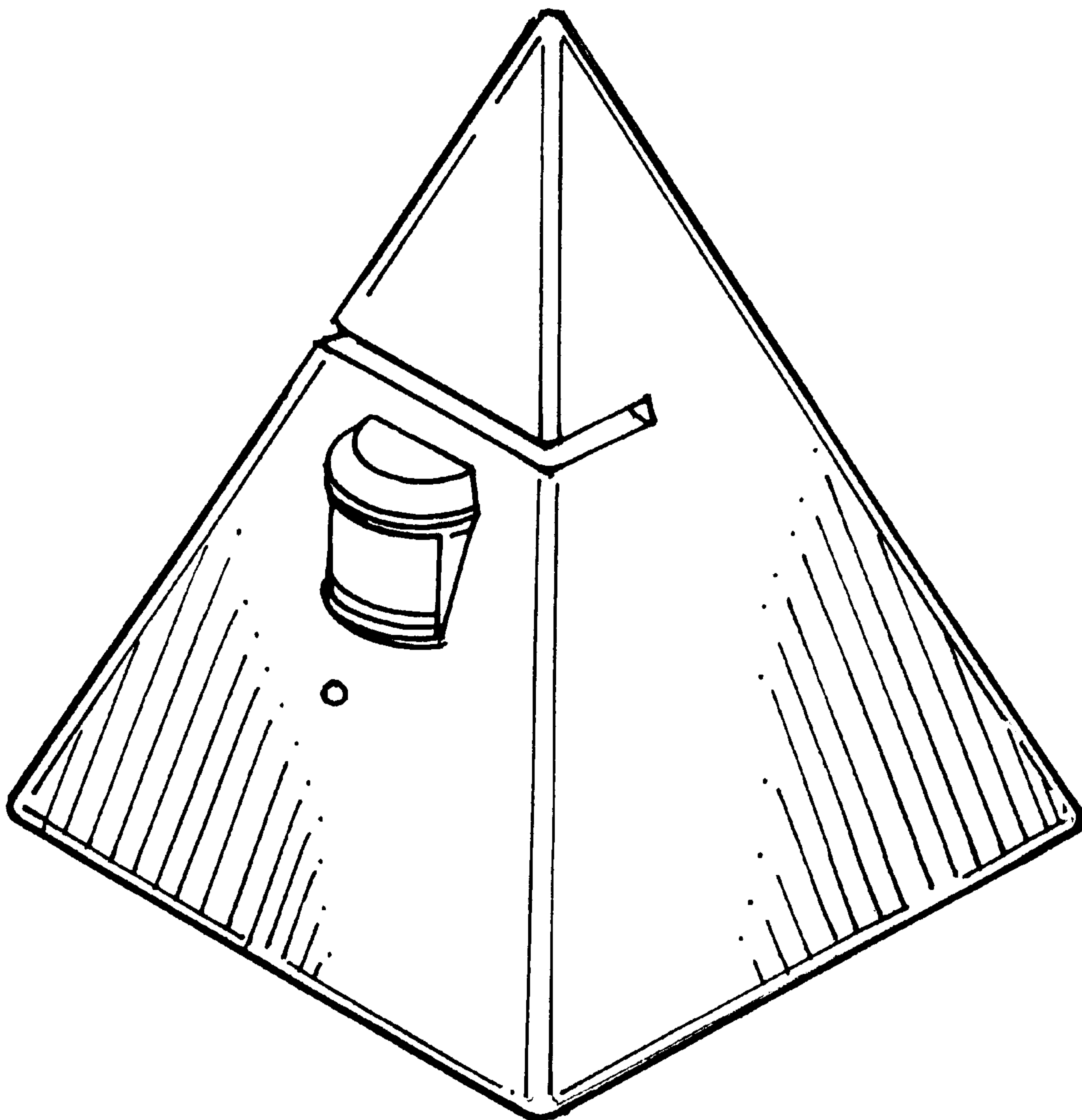
FIG. 5 is a top plan view thereof;

FIG. 6 is a bottom plan view thereof;

FIG. 7 is a front elevational view thereof; and,

FIG. 8 is a left side elevational view thereof.

**1 Claim, 2 Drawing Sheets**



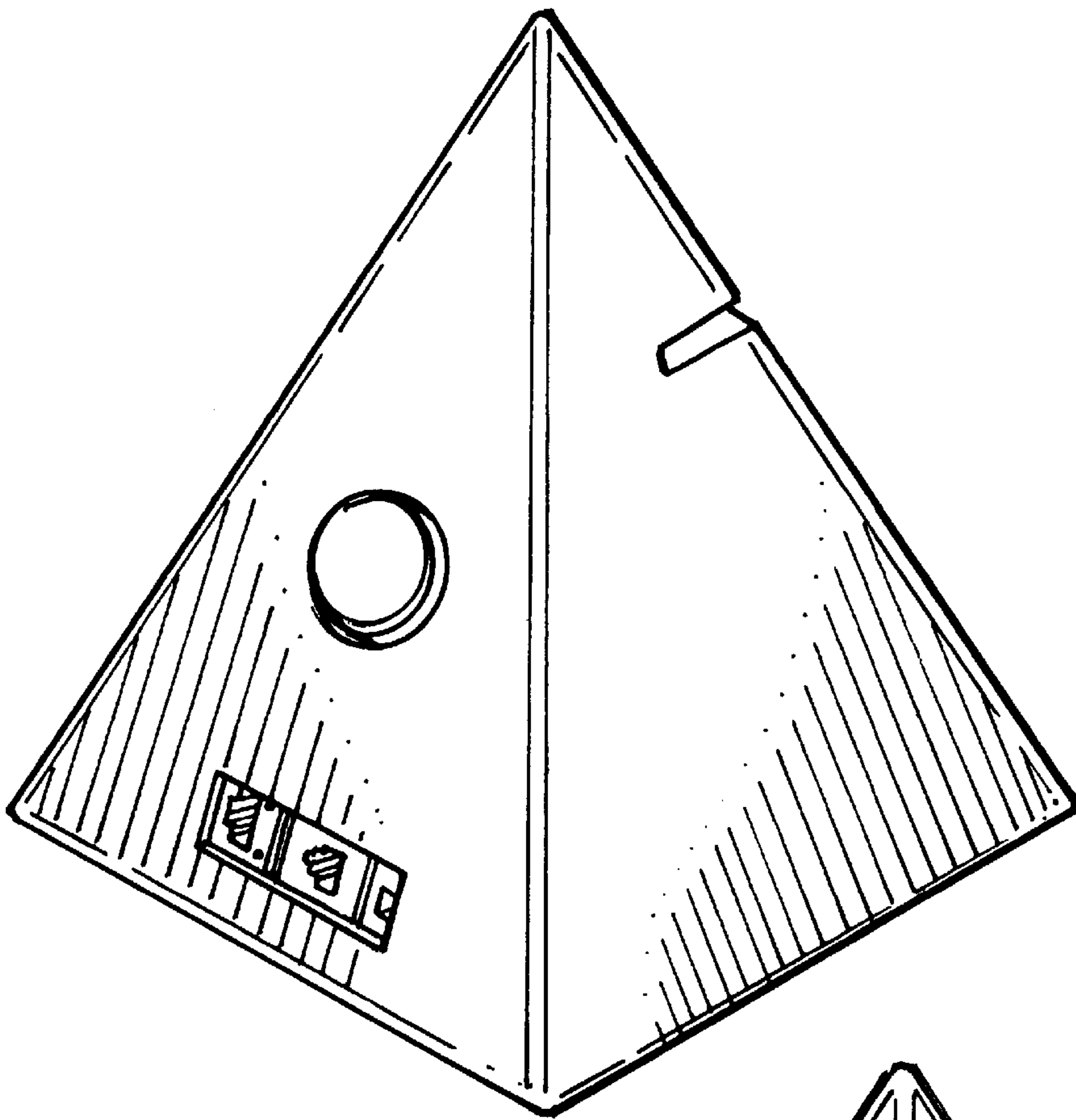


FIG. 1

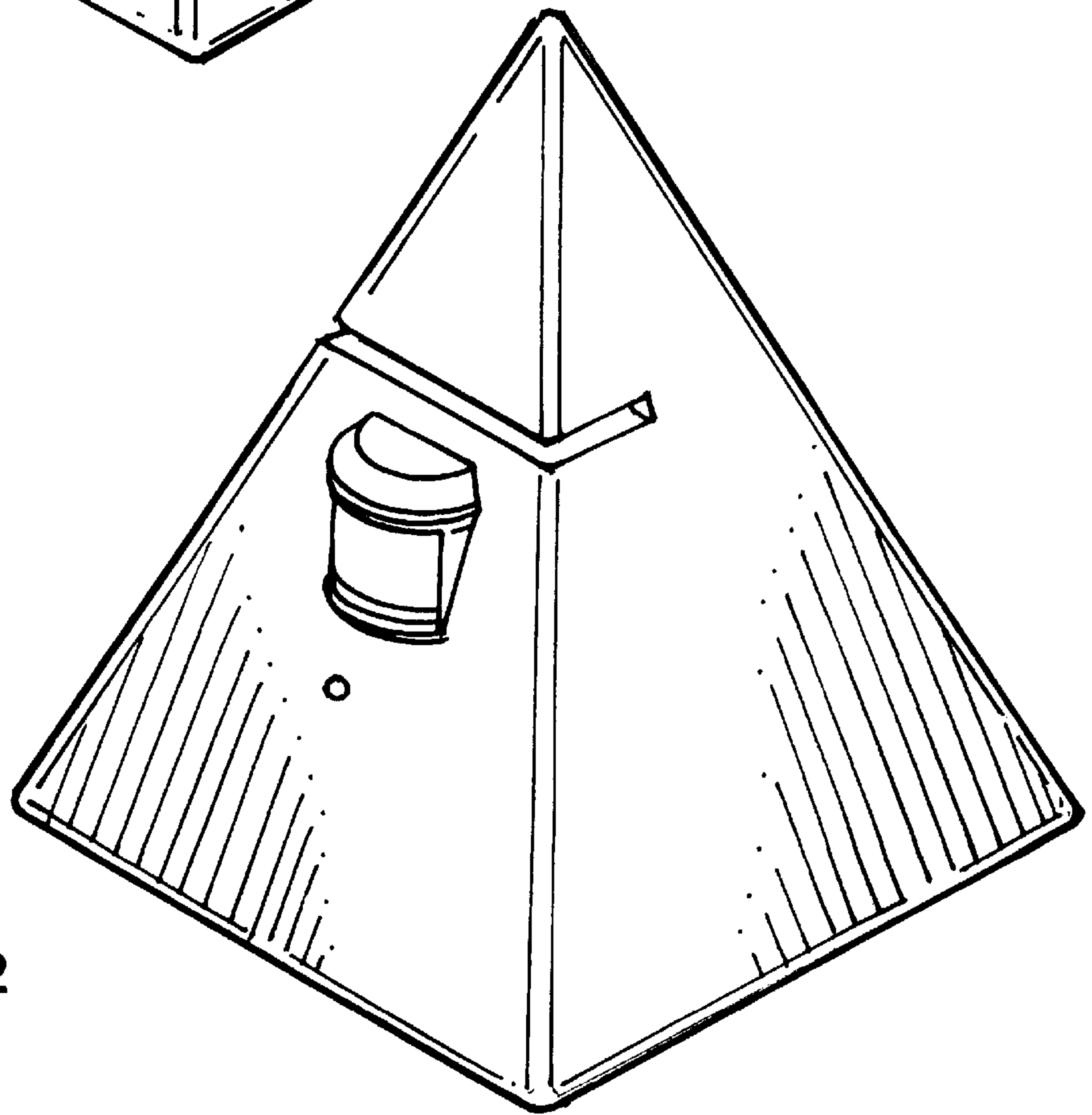


FIG. 2

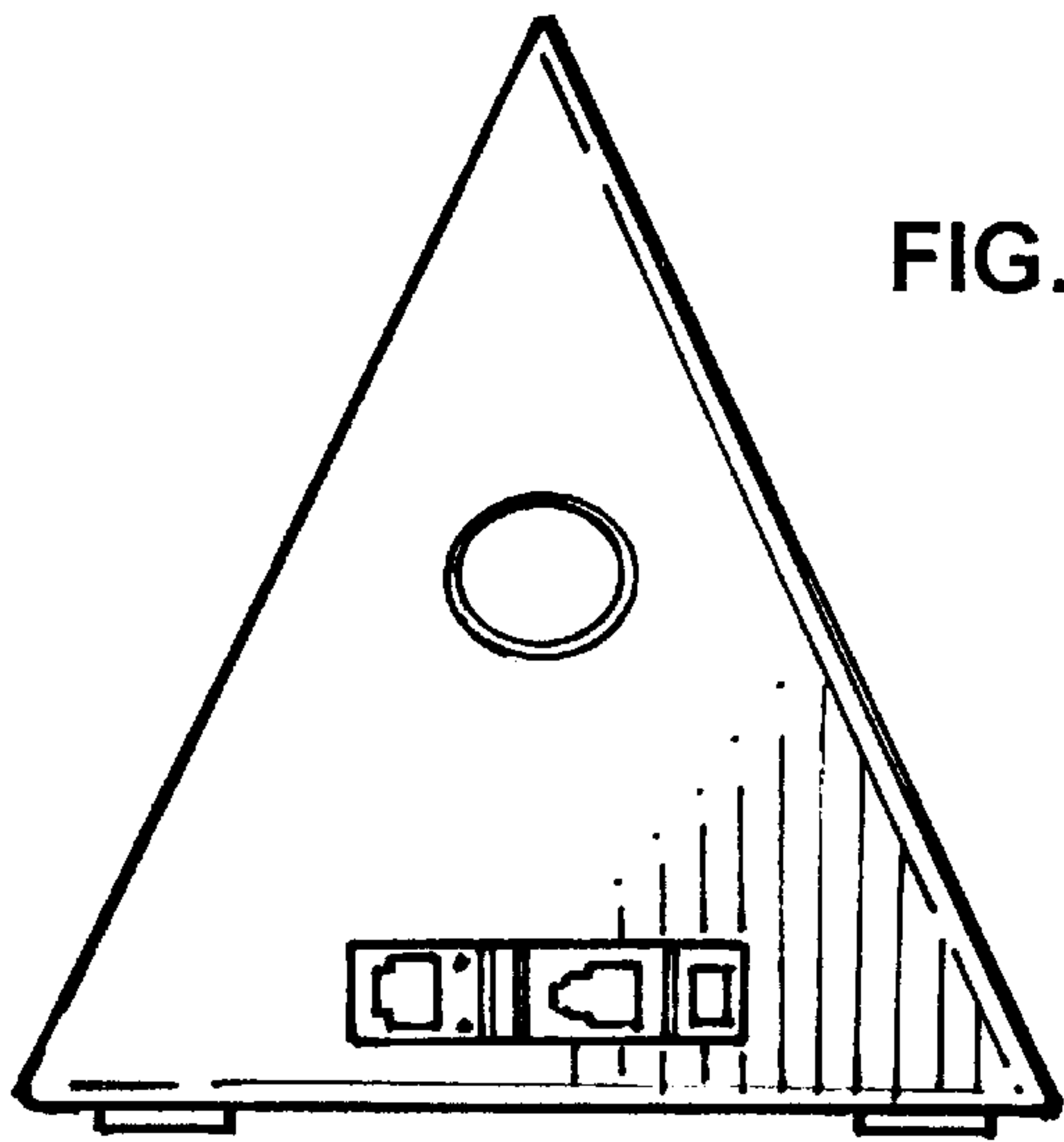


FIG. 3

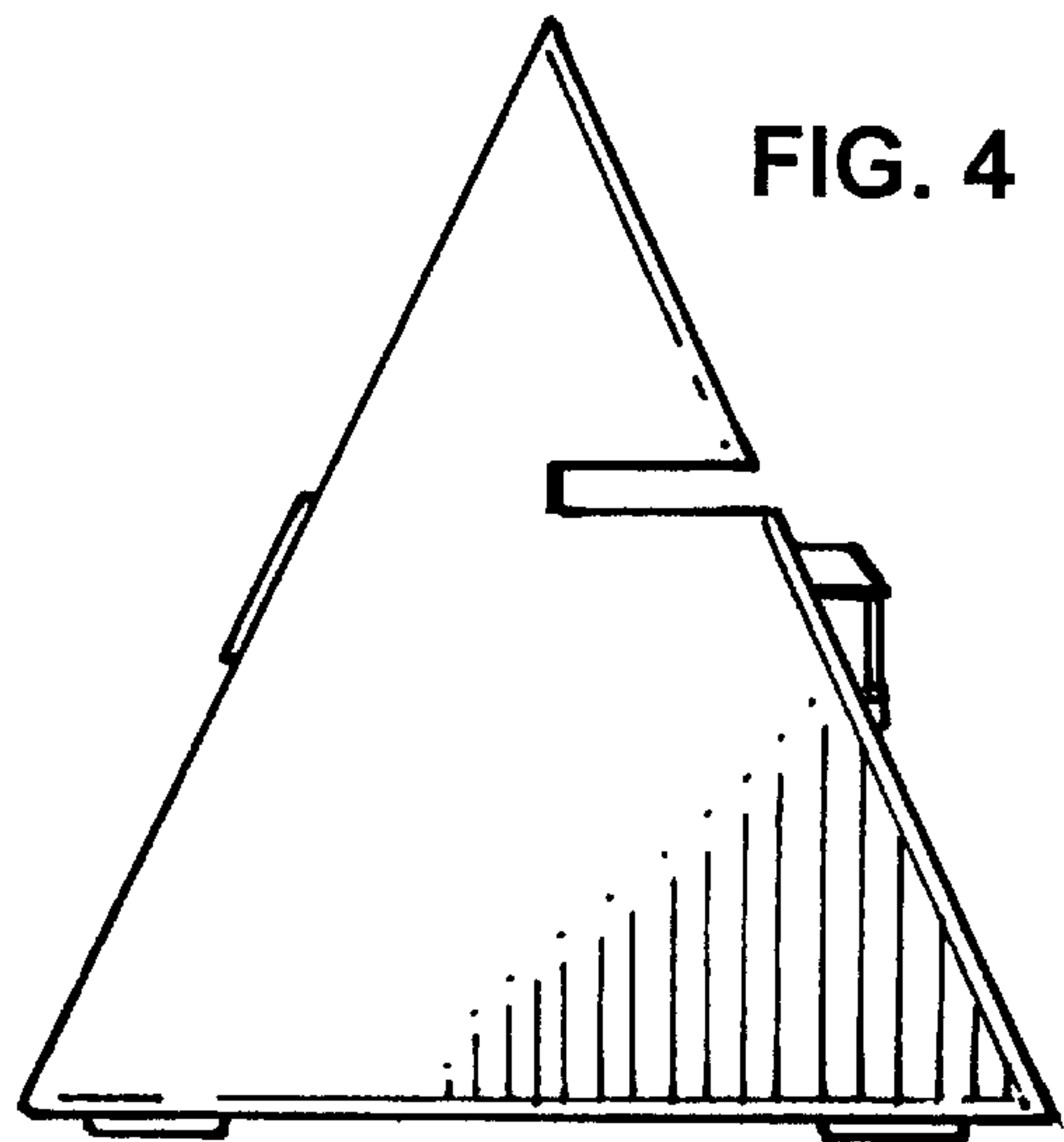


FIG. 4

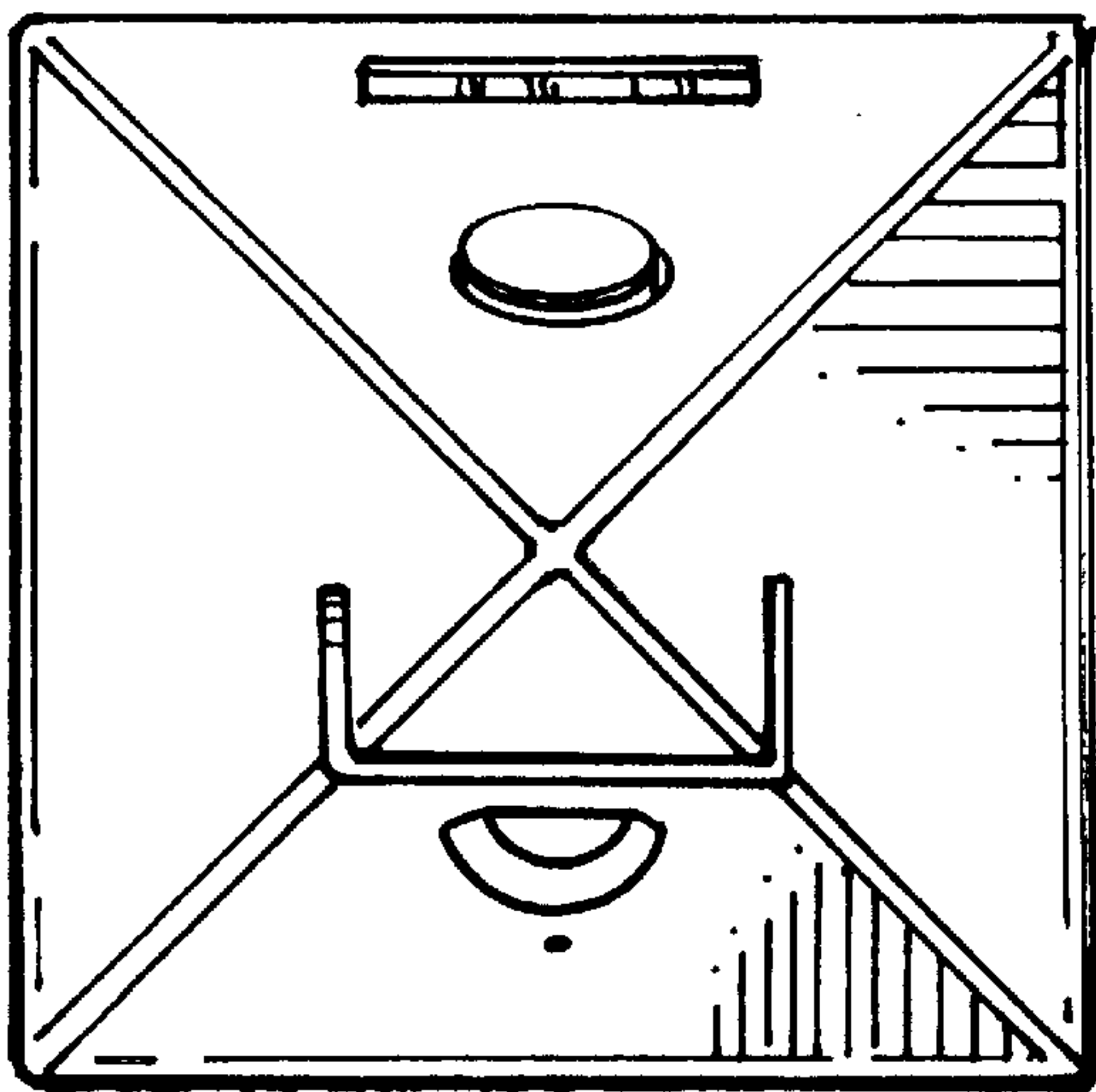


FIG. 5

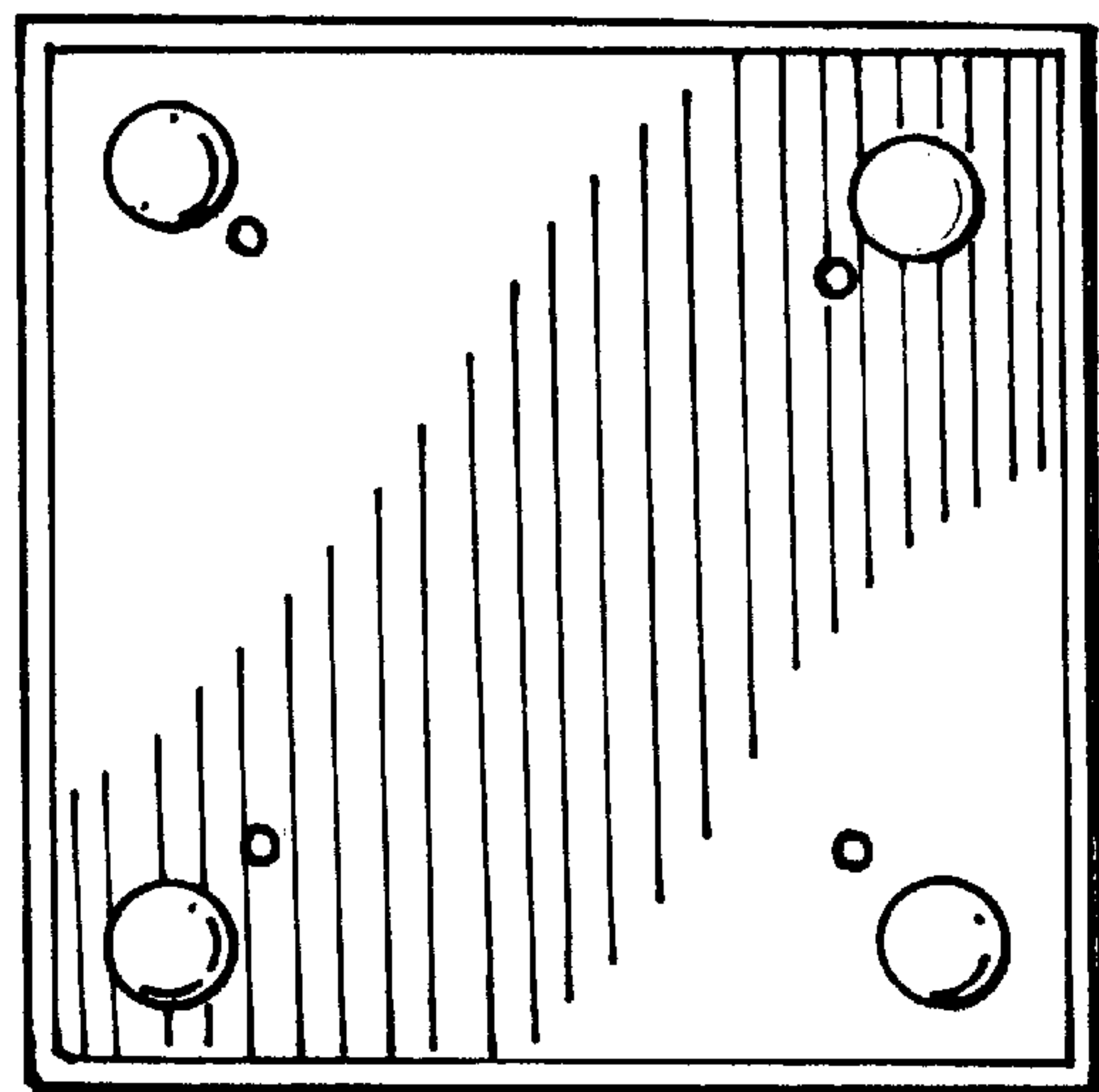


FIG. 6

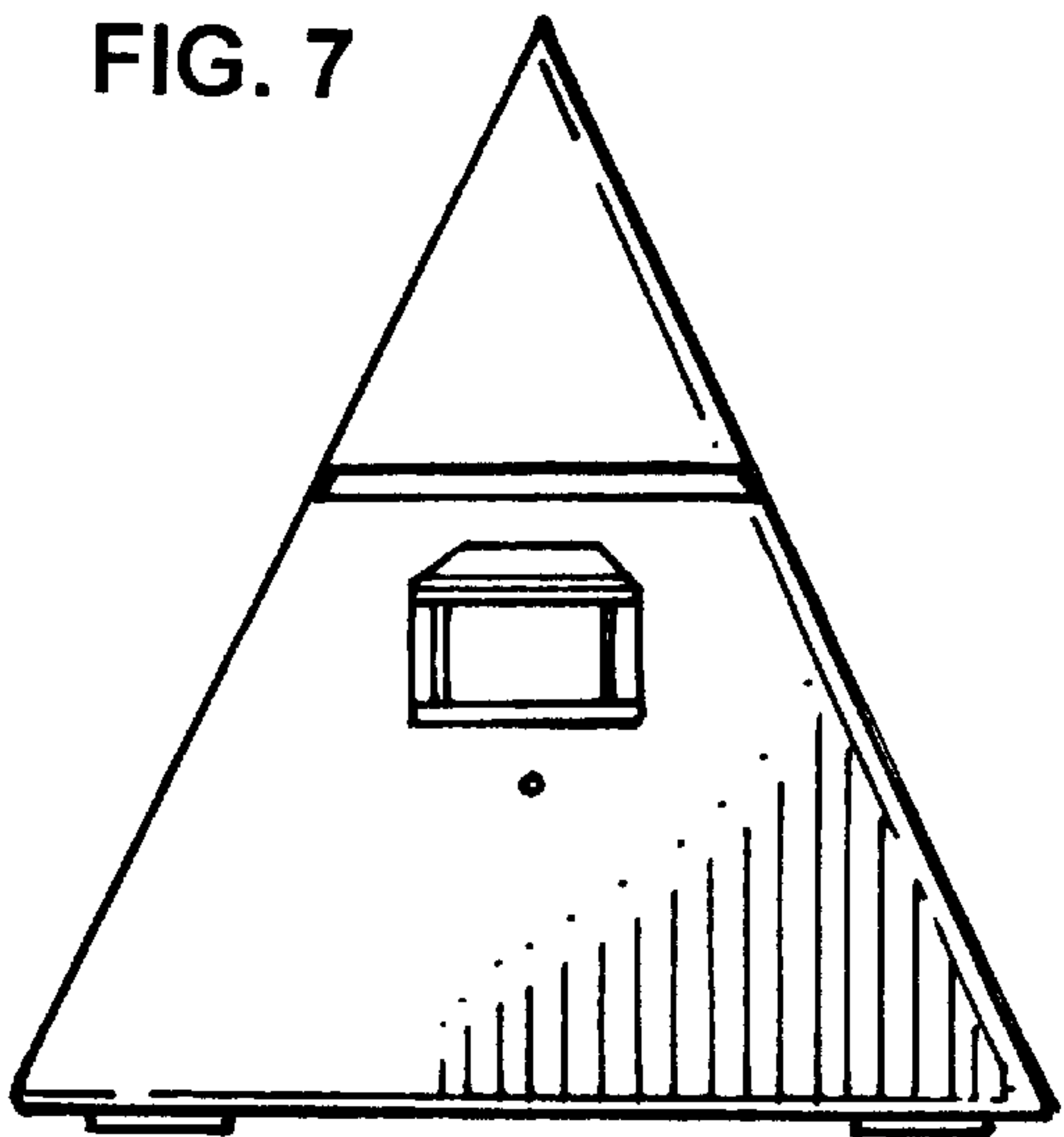


FIG. 7

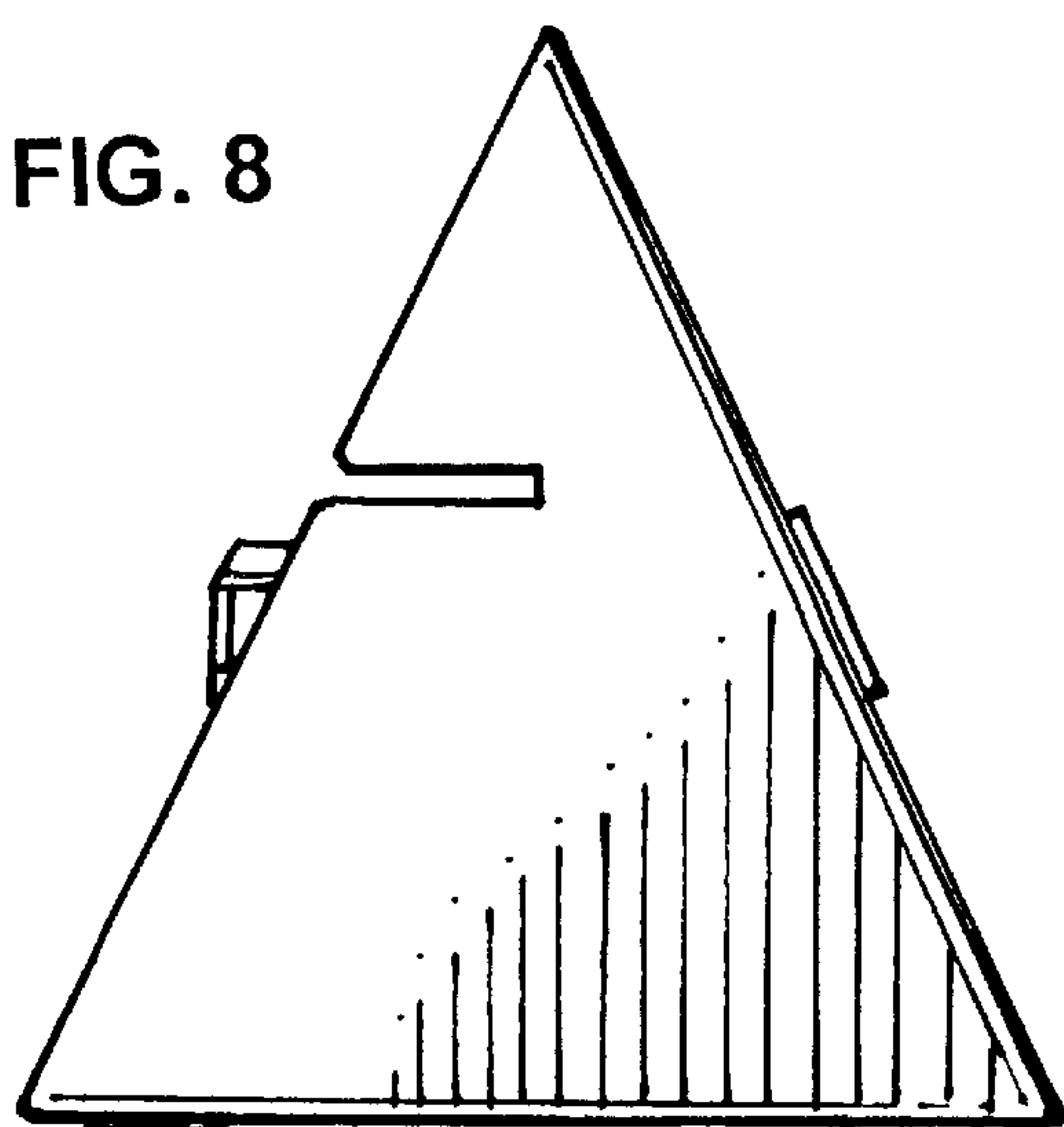


FIG. 8