



US00D425810S

United States Patent [19]

Siller et al.

[11] **Patent Number: Des. 425,810**

[45] **Date of Patent: ** May 30, 2000**

[54] **EXIT ALARM LOCK**

[75] Inventors: **Gene K. Siller**, Indianapolis, Ind.;
Daniel N. Nigro, Jr., Ocean Springs, Miss.

[73] Assignee: **Von Duprin, Inc.**, Indianapolis, Ind.

[**] Term: **14 Years**

[21] Appl. No.: **29/104,882**

[22] Filed: **May 13, 1999**

[51] **LOC (7) Cl.** **10-05**

[52] **U.S. Cl.** **D10/106**

[58] **Field of Search** D10/104, 106,
D10/116, 121; 340/521, 540, 541, 542,
543, 544, 545, 546, 556, 557

[56] **References Cited**

U.S. PATENT DOCUMENTS

D. 328,440	8/1992	Harper	D10/106
D. 330,866	11/1992	Fuller	D10/106
D. 373,545	9/1996	Armano, Sr.	D10/106

Primary Examiner—Marcus A. Jackson
Attorney, Agent, or Firm—Michael H. Minns

[57] **CLAIM**

The ornamental design for the design of an exit alarm lock, as shown and described.

DESCRIPTION

FIG. 1 is a perspective view of an exit alarm lock showing our new design;

FIG. 2 is a front view of a design of exit alarm lock according to the present invention, the rear being unornamented;

FIG. 3 is a bottom view of a design of exit alarm lock according to the present invention;

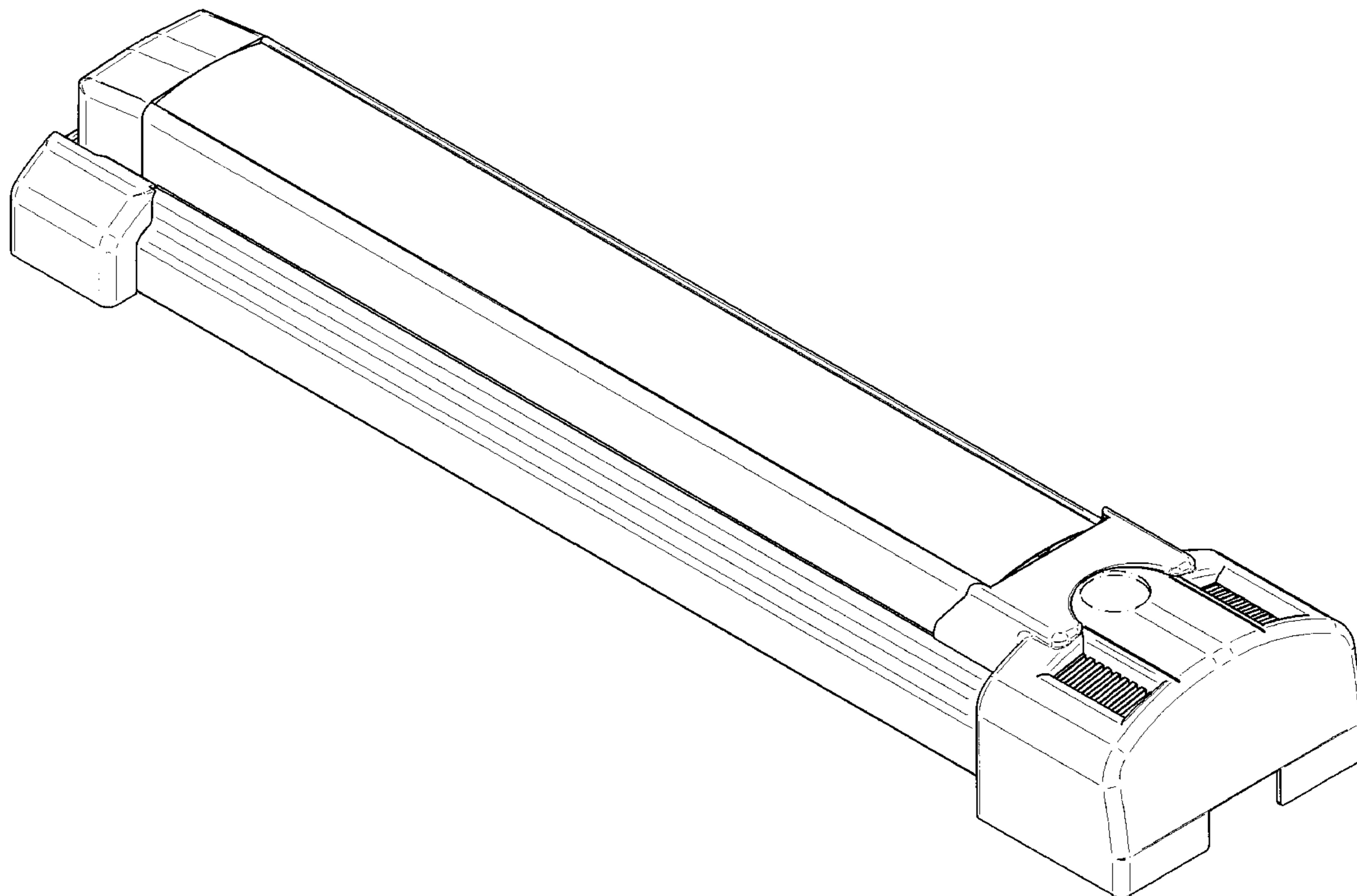
FIG. 4 is a top view of a design of exit alarm lock according to the present invention;

FIG. 5 is a left side view of a design of exit alarm lock according to the present invention; and,

FIG. 6 is a right side view of a design of exit alarm lock according to the present invention.

The broken line disclosure is for illustrative purposes only and forms no part of the claimed design.

1 Claim, 3 Drawing Sheets



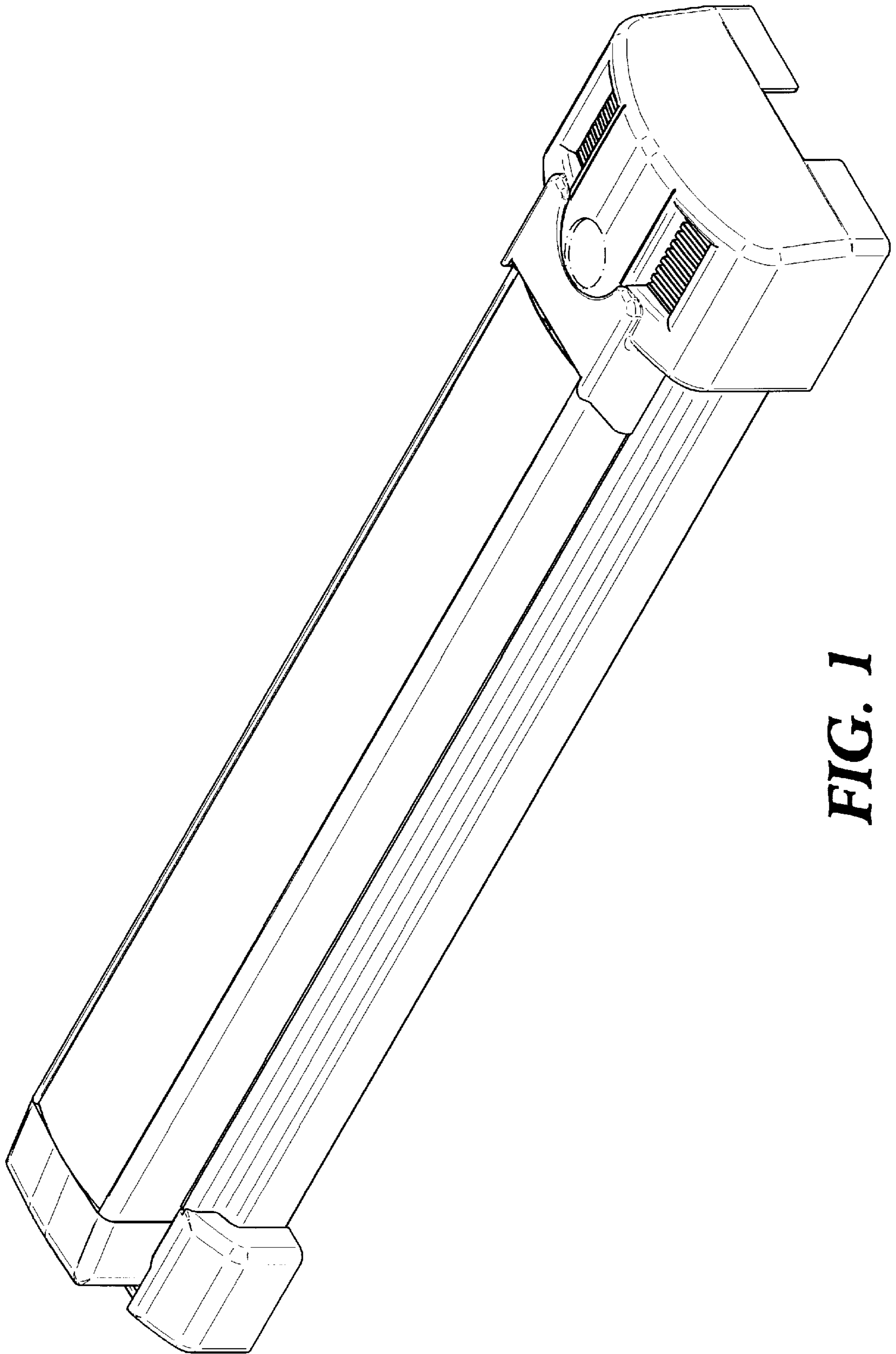


FIG. 1

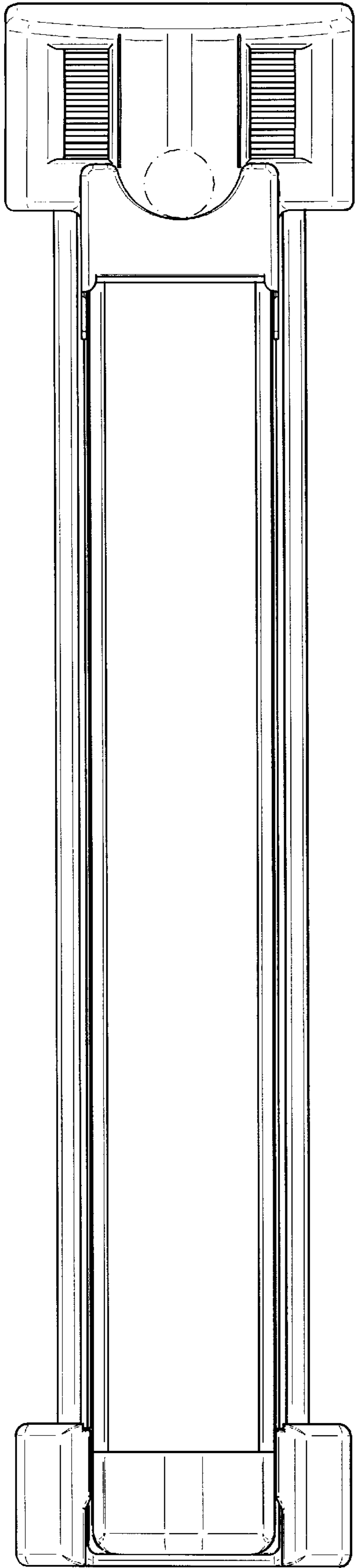


FIG. 2

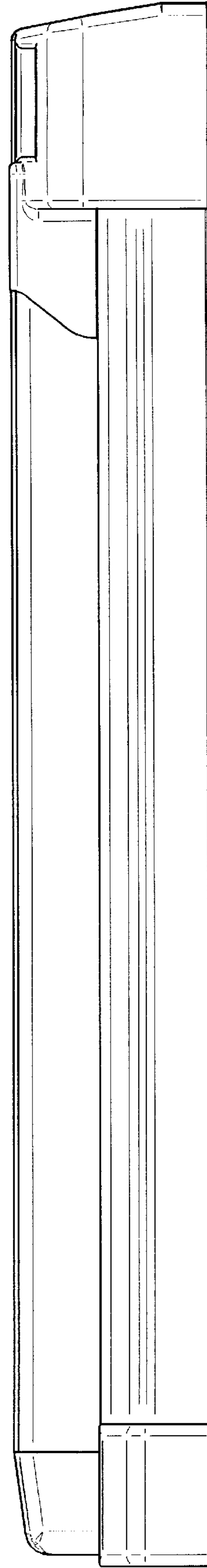


FIG. 3

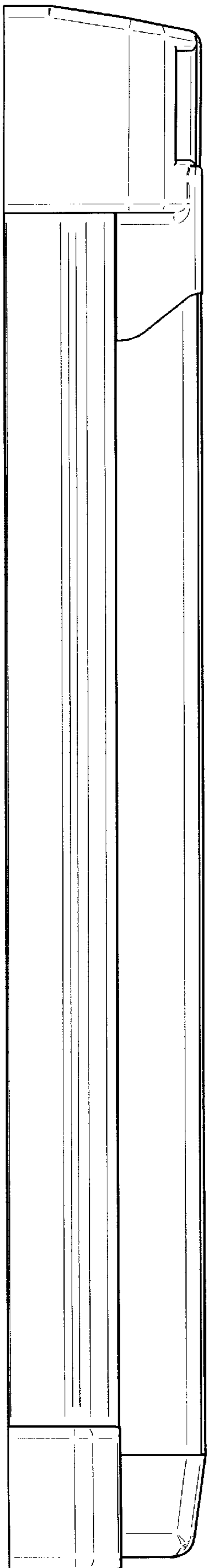


FIG. 4

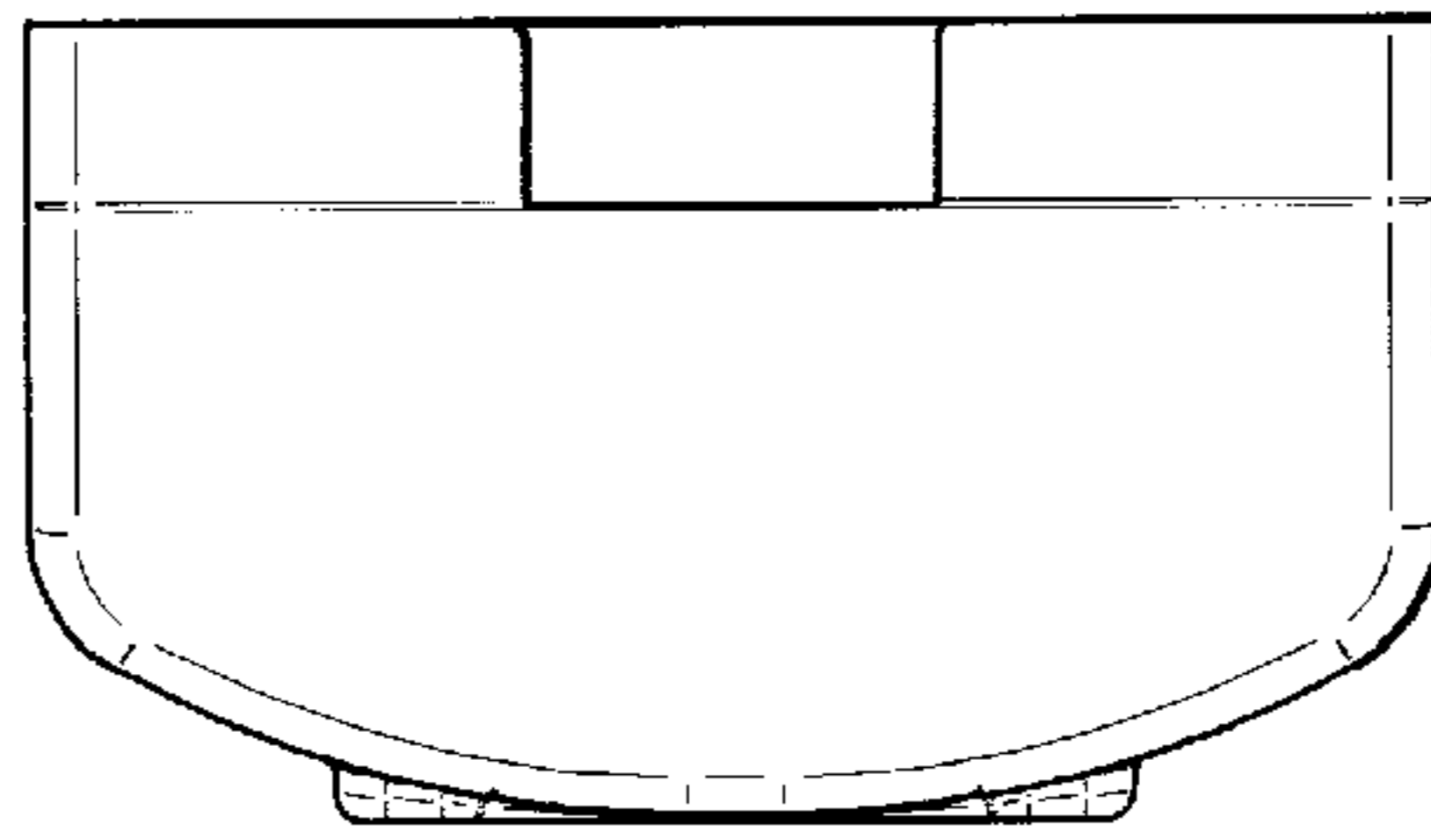


FIG. 6

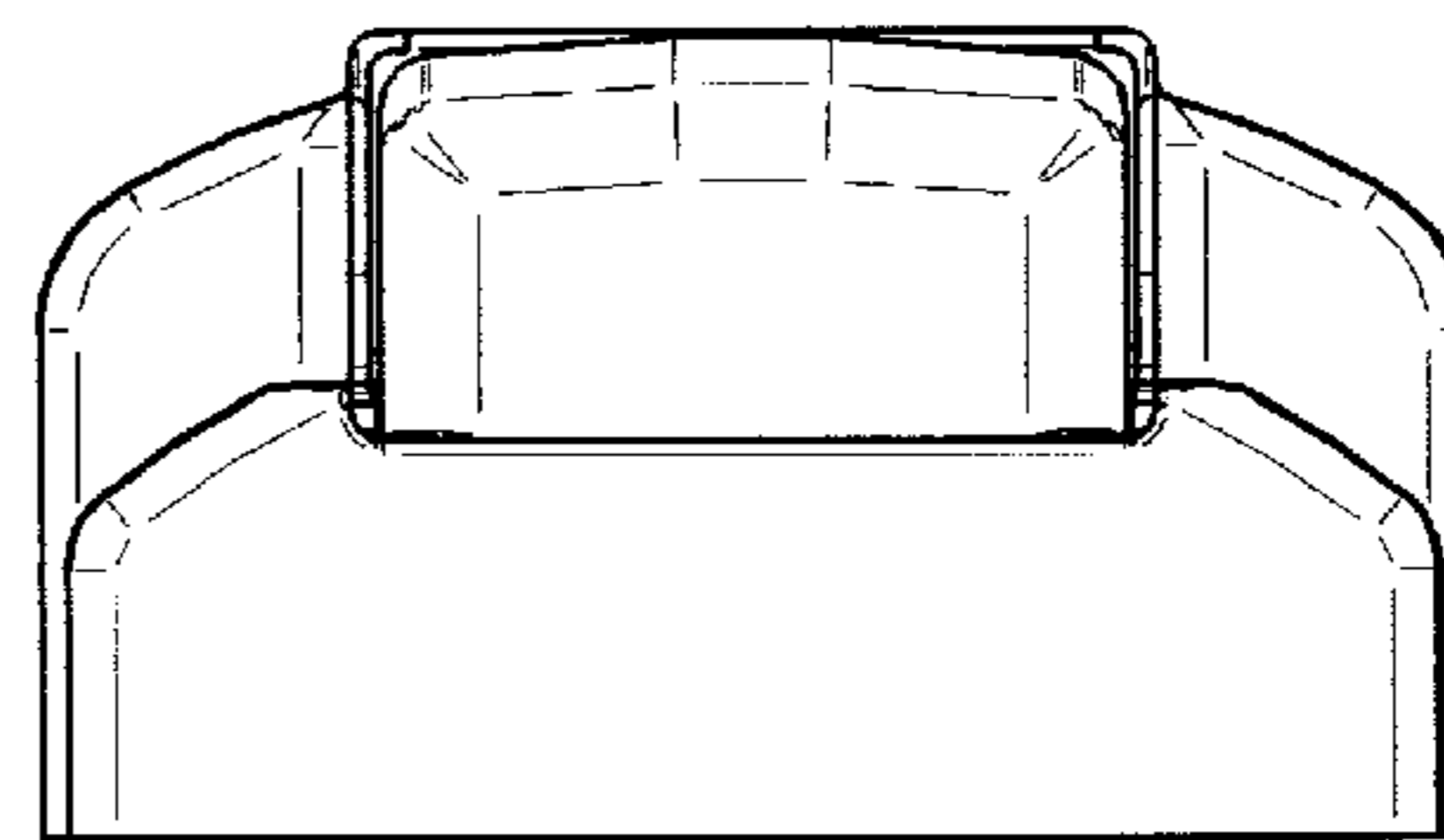


FIG. 5