



US00D425806S

United States Patent [19]
Cappiello

[11] **Patent Number: Des. 425,806**

[45] **Date of Patent: ** May 30, 2000**

[54] **MECHANICAL GLASS I-BEAM SCALE**

5,886,302 3/1999 Germanton et al. 177/199

[75] Inventor: **Mark Cappiello**, New York, N.Y.

Primary Examiner—Antoine Duval Davis
Attorney, Agent, or Firm—Arthur L. Plevy

[73] Assignee: **Measurement Specialties Inc.**,
Fairfield, N.J.

[57] **CLAIM**

[**] Term: **14 Years**

The ornamental design for a mechanical glass I-beam scale,
as shown.

[21] Appl. No.: **29/100,389**

DESCRIPTION

[22] Filed: **Feb. 10, 1999**

[51] **LOC (7) Cl.** **10-04**

FIG. 1 is a perspective plan view of the mechanical glass I-beam scale;

[52] **U.S. Cl.** **D10/91**

FIG. 2 is a front plan view;

[58] **Field of Search** D10/91; 177/199,
177/210 R, 238-245

FIG. 3 is a top view;

FIG. 4 is a right/left side view; and,

FIG. 5 is a bottom view.

[56] **References Cited**

U.S. PATENT DOCUMENTS

D. 390,796 2/1998 Germanton et al. D10/91

1 Claim, 3 Drawing Sheets

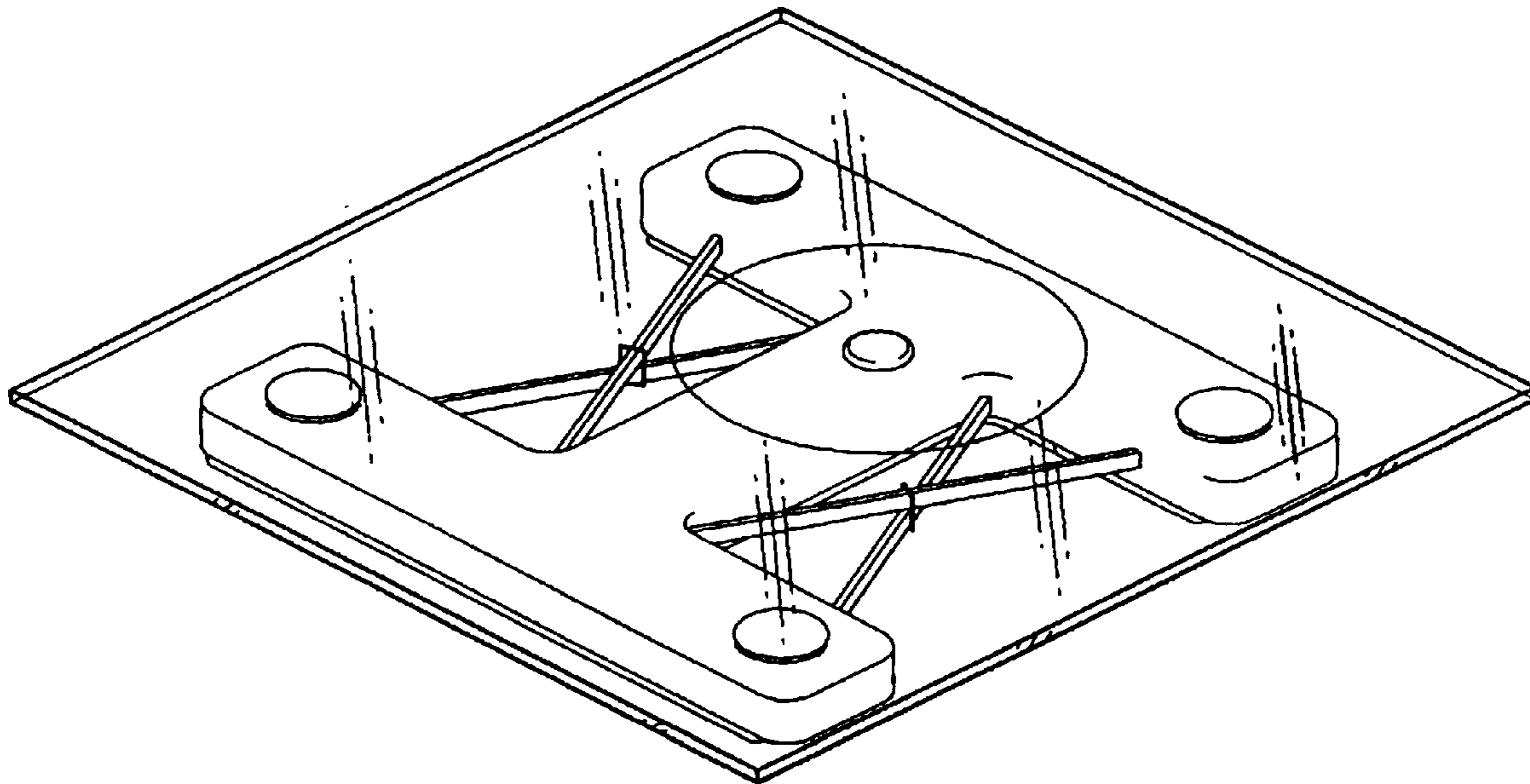


FIG. 1

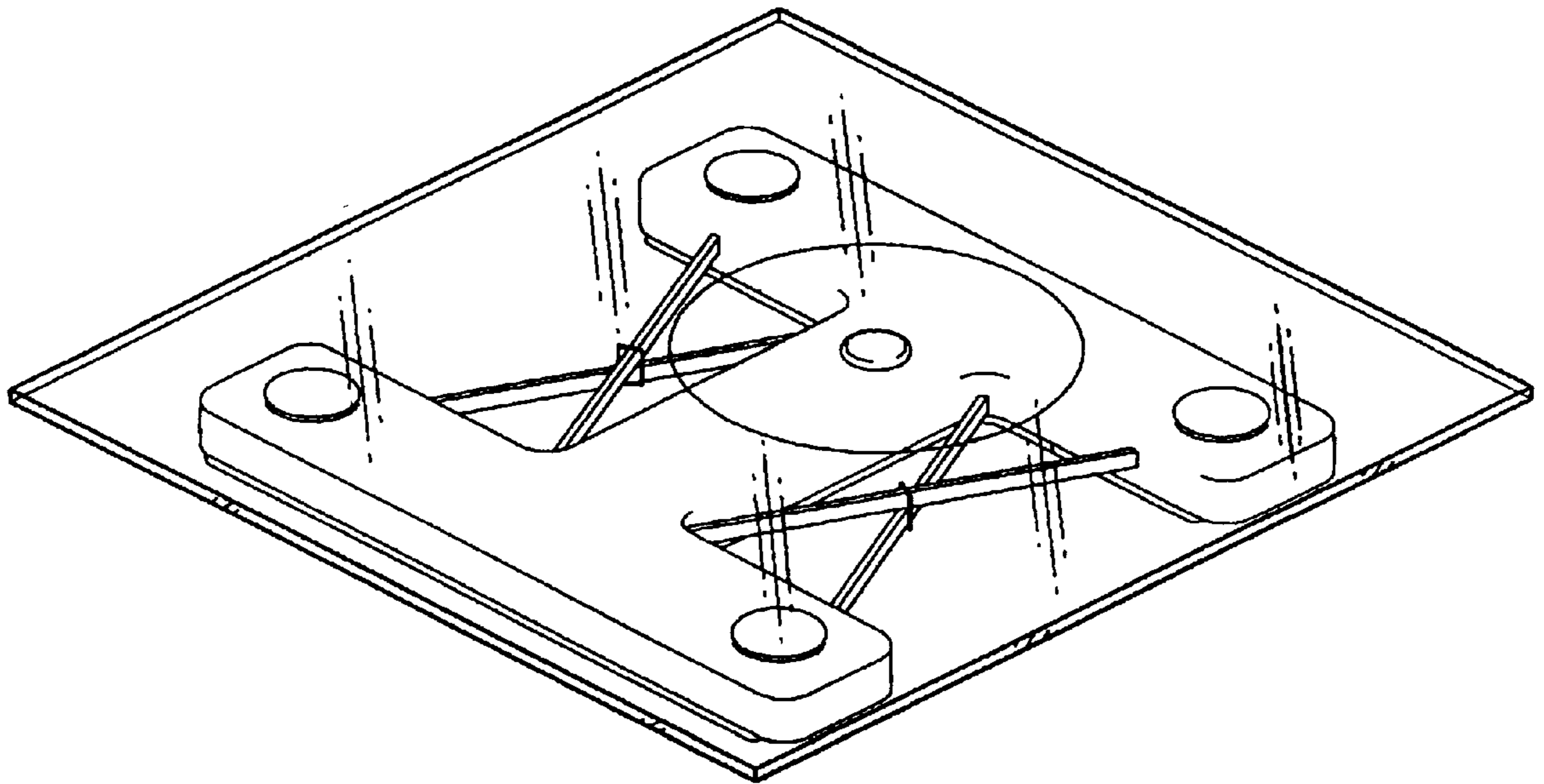


FIG. 2

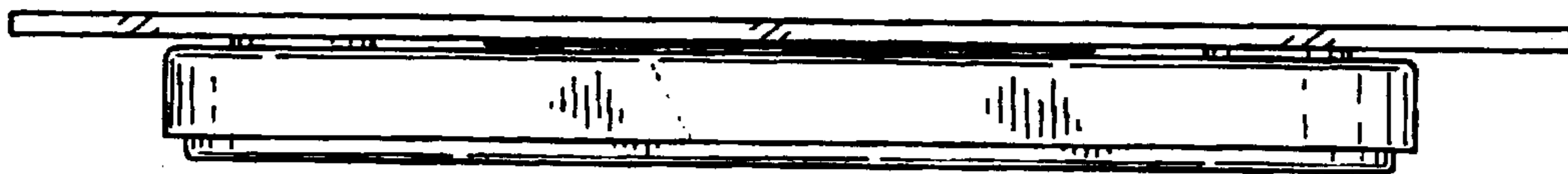


FIG. 3

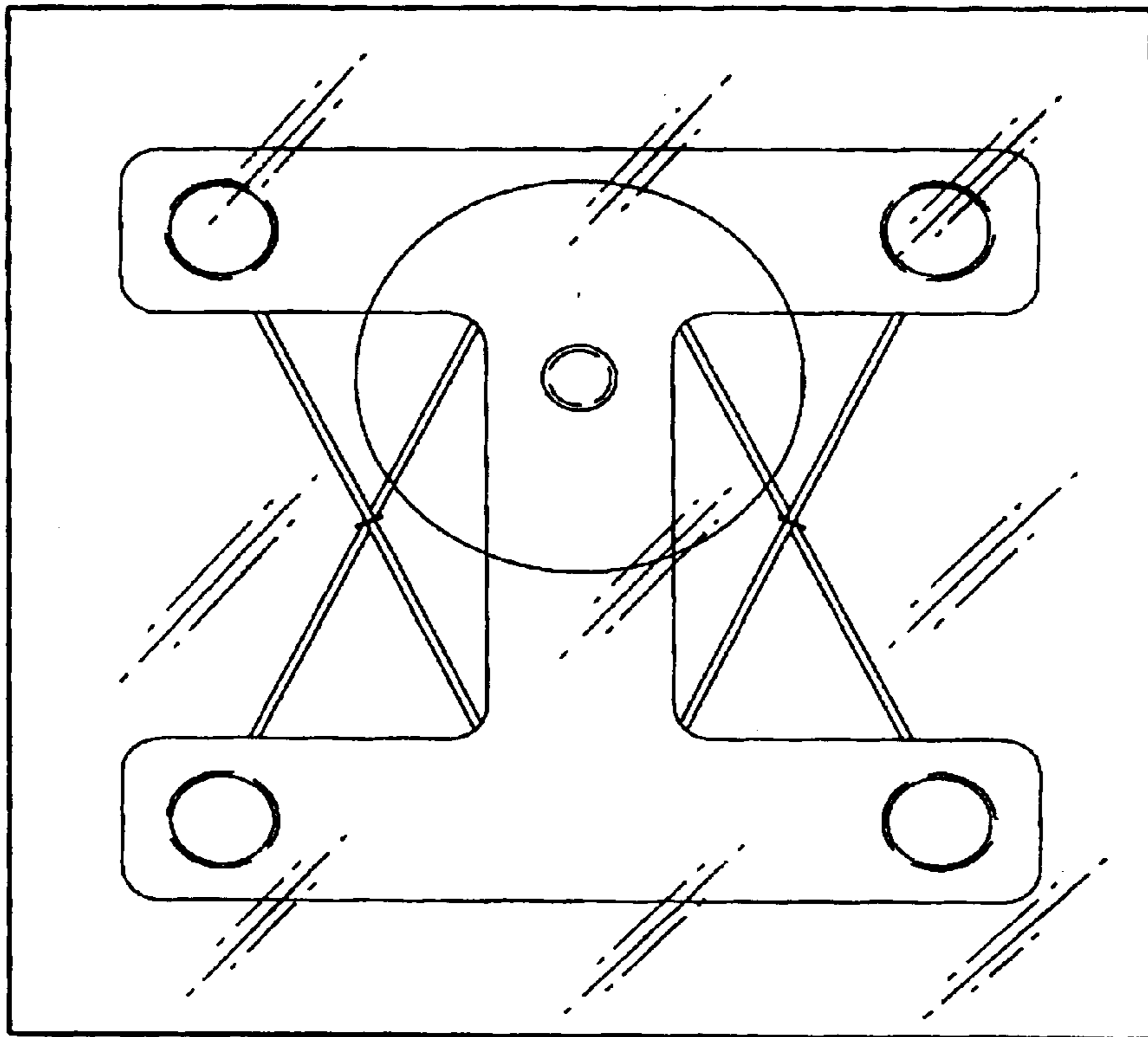


FIG. 4

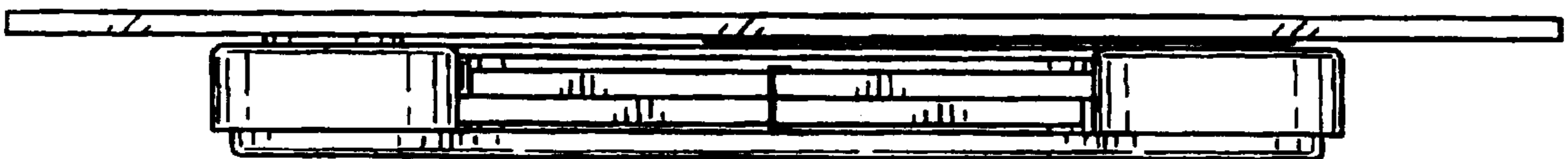


FIG. 5

