



US00D425804S

United States Patent [19]
Li

[11] **Patent Number: Des. 425,804**

[45] **Date of Patent: ** May 30, 2000**

[54] **TAPE MEASURE**

[76] Inventor: **Shih-Lin Li**, No. 22, Lane 81, Sec. 2,
Tunha S. Rd., Taipei, Taiwan

[**] Term: **14 Years**

[21] Appl. No.: **29/108,549**

[22] Filed: **Jul. 28, 1999**

[51] **LOC (7) Cl.** **10-04**

[52] **U.S. Cl.** **D10/72**

[58] **Field of Search** **D10/72; 33/755-770**

[56] **References Cited**

U.S. PATENT DOCUMENTS

D. 399,149	10/1998	Bennett	D10/72
D. 413,822	9/1999	Yang	D10/72
D. 414,123	9/1999	Liu	D10/72

Primary Examiner—Antoine Duval Davis
Attorney, Agent, or Firm—Pro-Techtor International Services

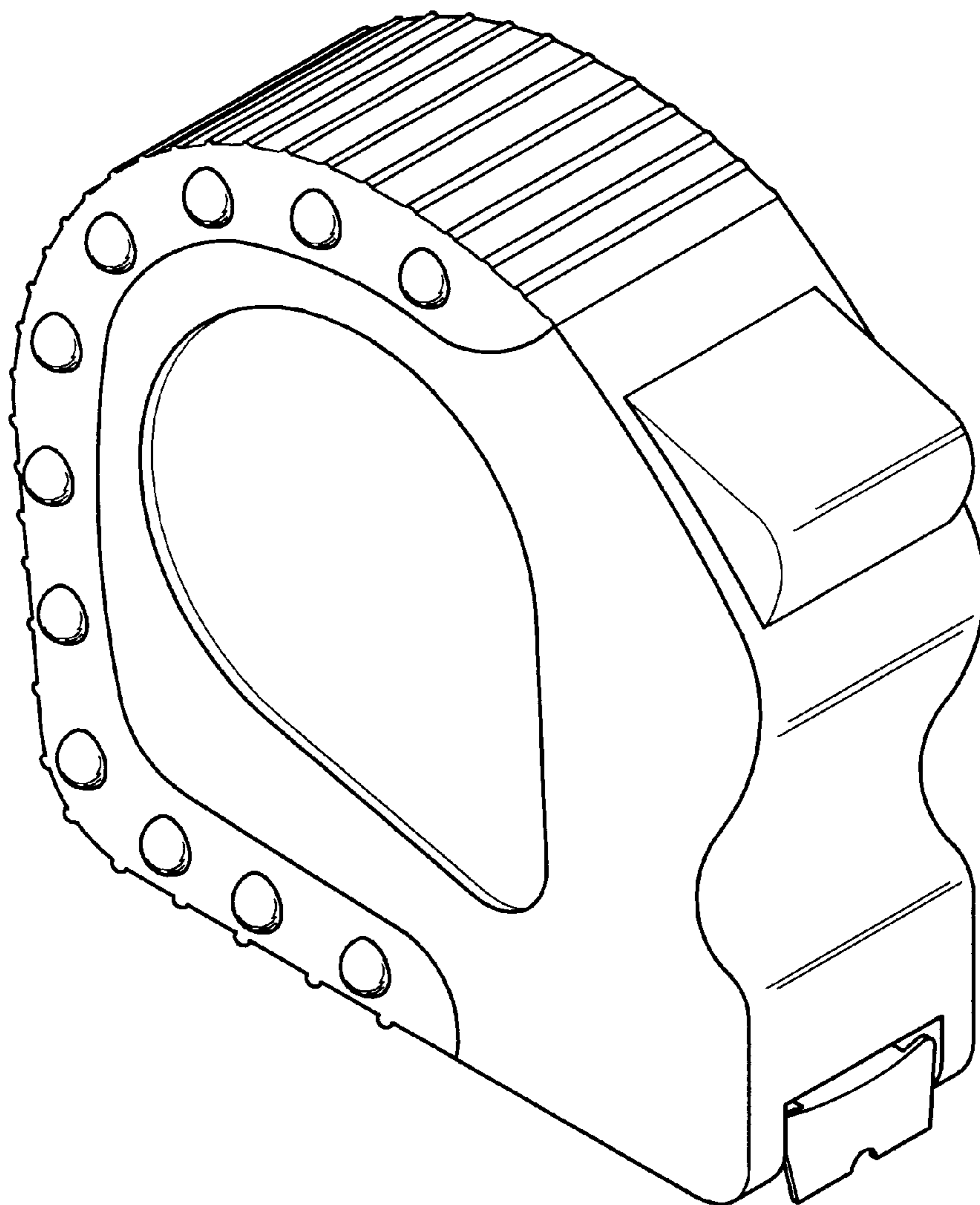
[57] **CLAIM**

The ornamental design for a tape measure, as shown.

DESCRIPTION

FIG. 1 is a perspective view of a tape measure showing my new design;
FIG. 2 is a front perspective view thereof;
FIG. 3 is a rear perspective view thereof;
FIG. 4 is a left side elevation view thereof;
FIG. 5 is a right side elevation view thereof;
FIG. 6 is a top plan view thereof; and,
FIG. 7 is a bottom plan view thereof.

1 Claim, 4 Drawing Sheets



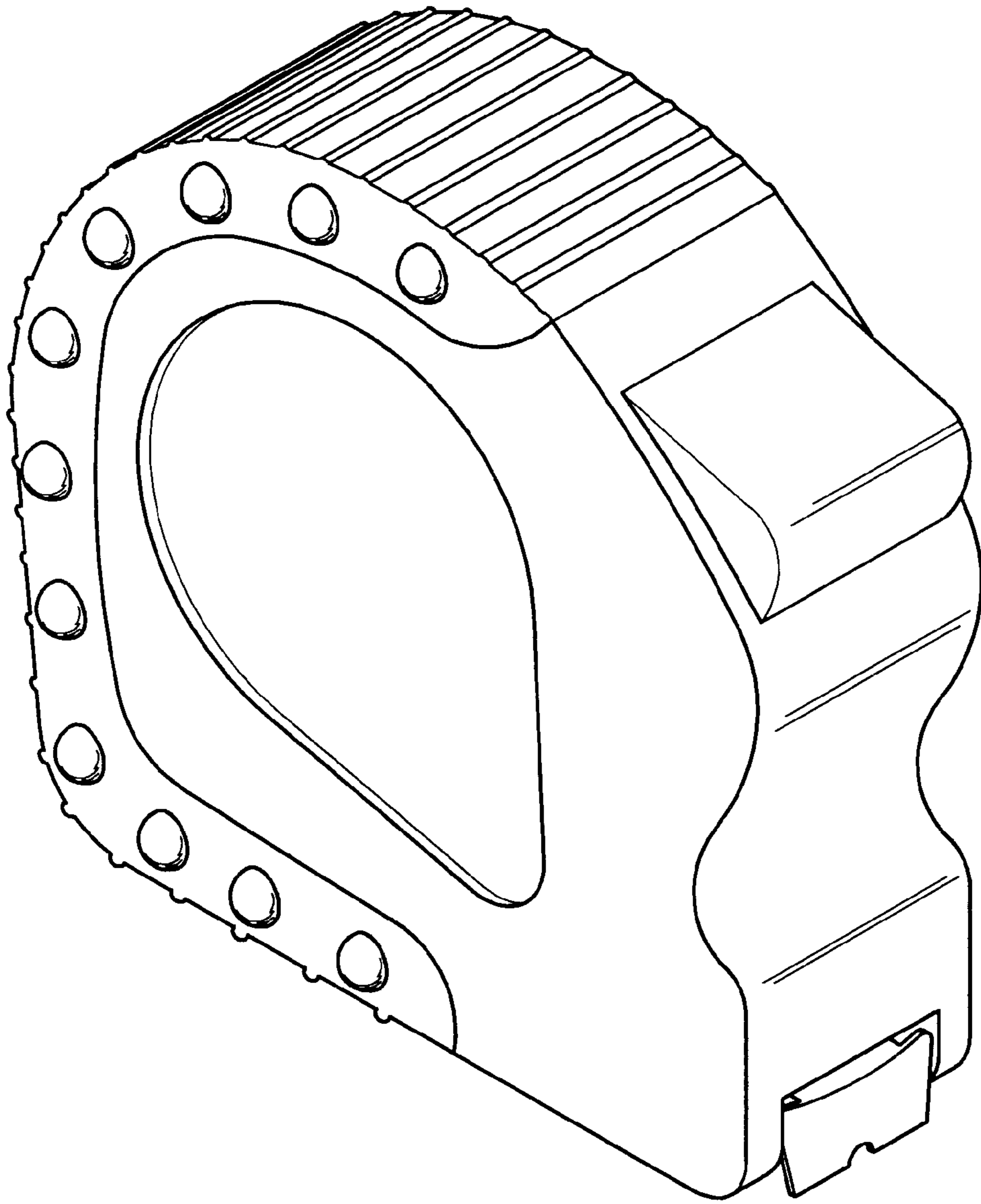


FIG. 1

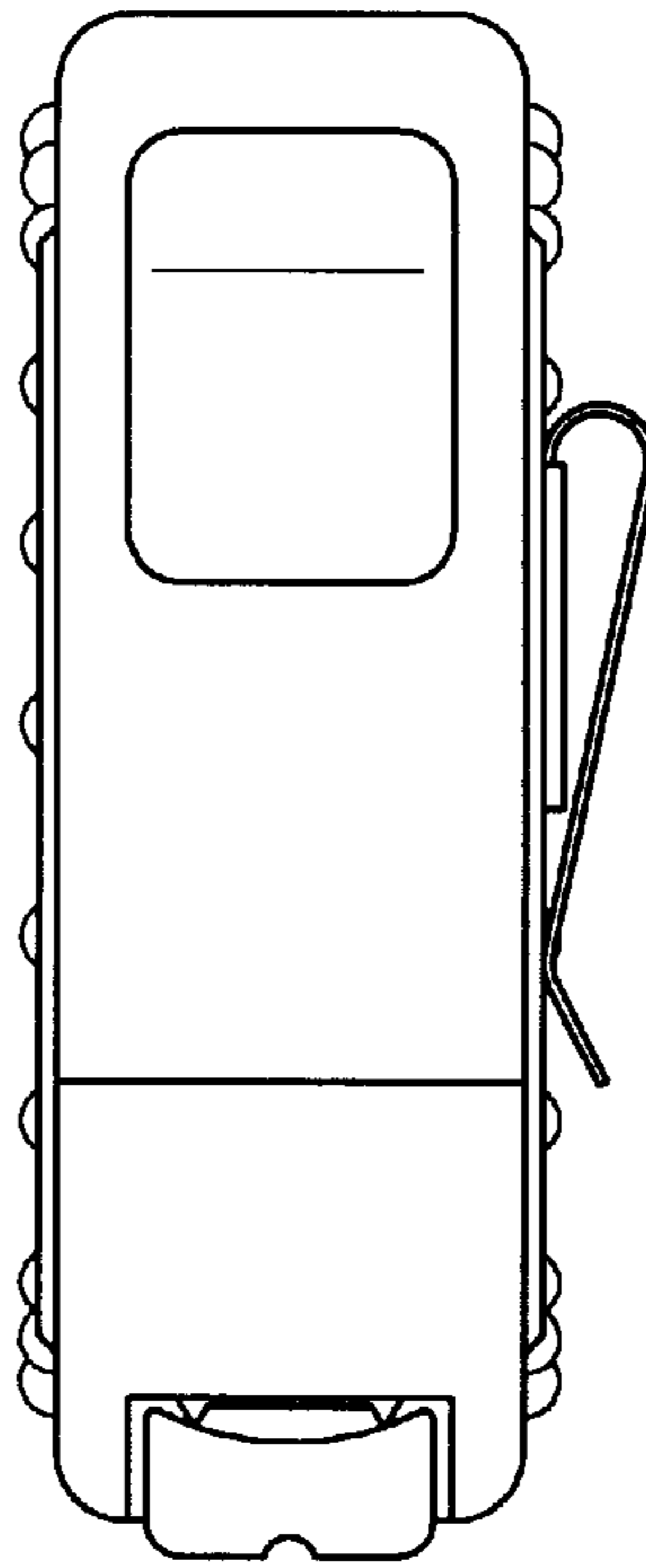


FIG. 2

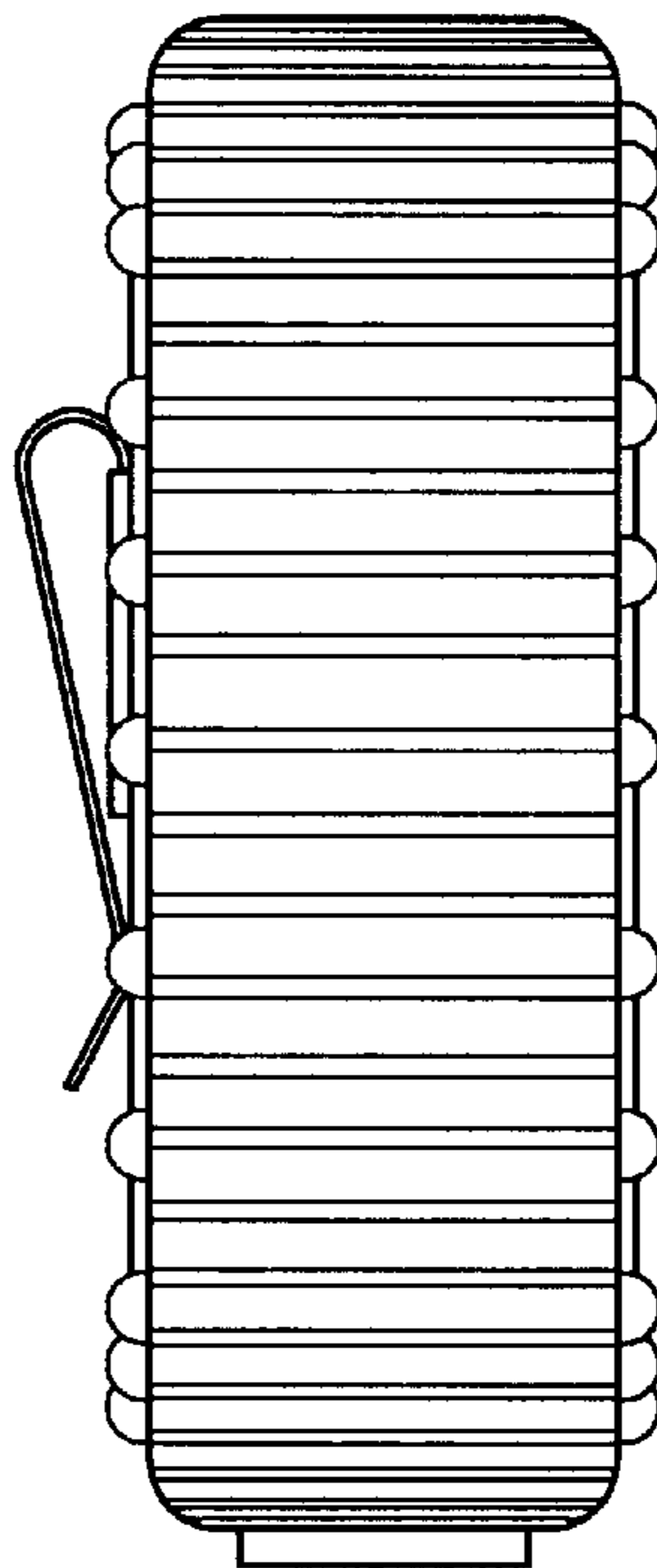


FIG. 3

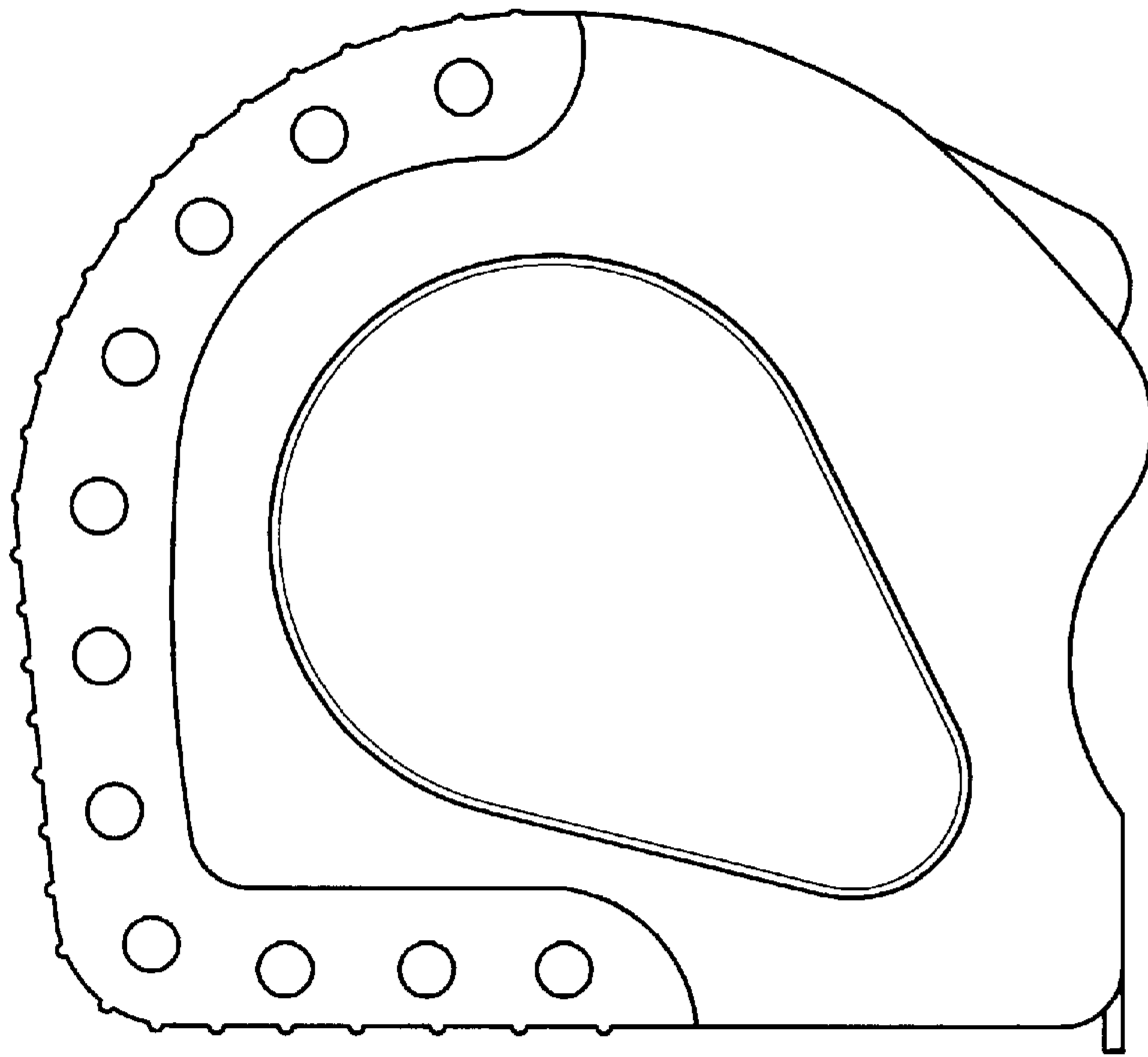


FIG. 4

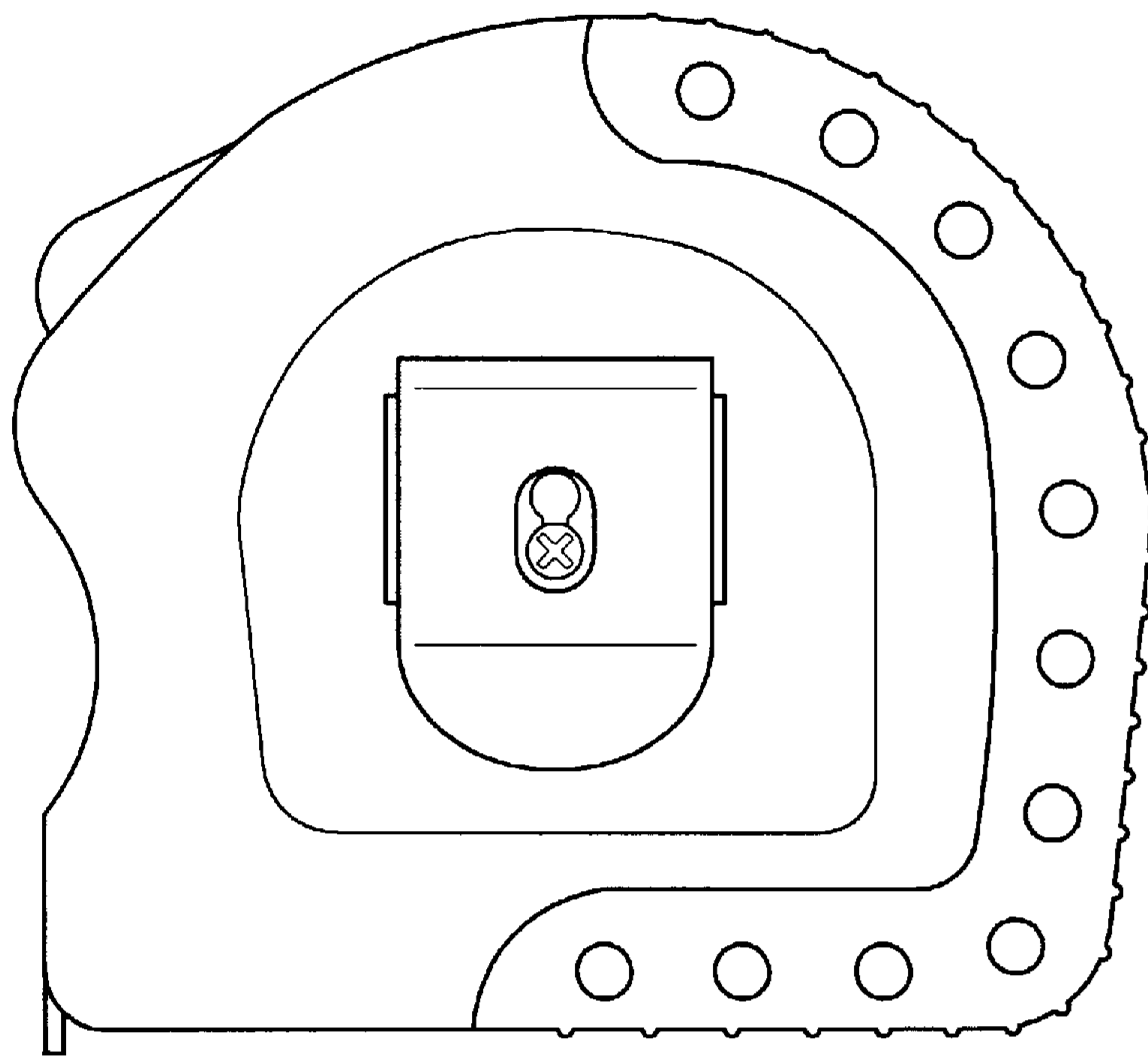


FIG. 5

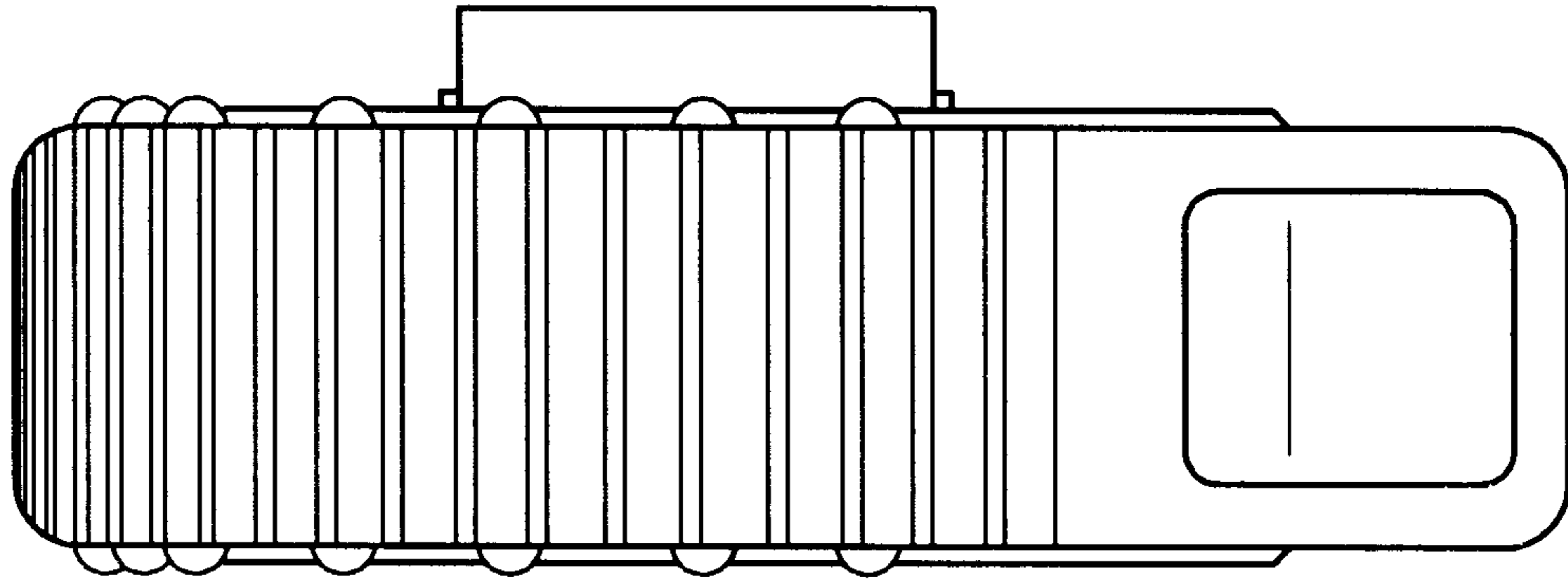


FIG. 6

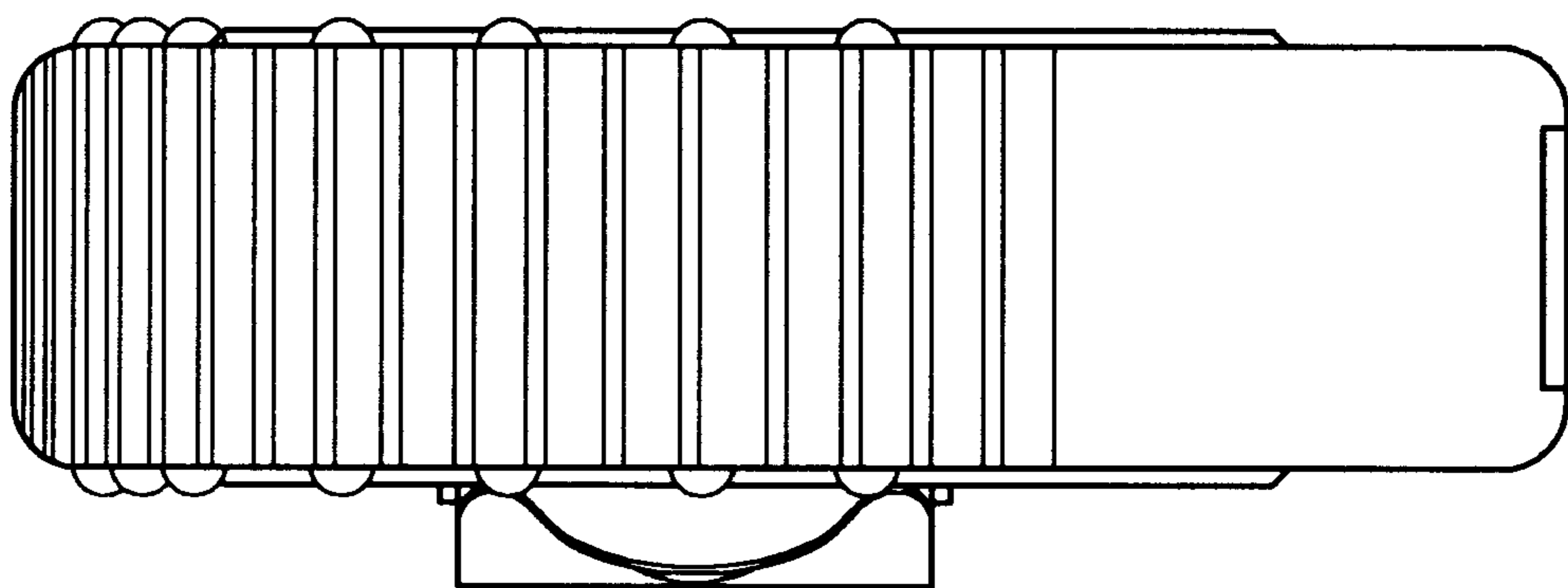


FIG. 7