



US00D425800S

United States Patent [19] Shin

[11] **Patent Number: Des. 425,800**

[45] **Date of Patent: ** May 30, 2000**

[54] **AGE VERIFICATION DEVICE**

[75] Inventor: **Min Chul Shin**, Lakewood, Calif.

[73] Assignee: **Cardcom, Inc.**, Buena Park, Calif.

[**] Term: **14 Years**

[21] Appl. No.: **29/109,444**

[22] Filed: **Aug. 12, 1999**

[51] **LOC (7) Cl.** **10-04**

[52] **U.S. Cl.** **D10/46; D10/78**

[58] **Field of Search** **D10/46, 78; 235/380, 235/379, 382; 340/825.34; 713/816**

[56] **References Cited**

U.S. PATENT DOCUMENTS

5,864,623 1/1999 Messina et al. 235/380 X

Primary Examiner—Antoine Duval Davis
Attorney, Agent, or Firm—Loeb & Loeb LLP; F. Jason Far-hadian, Esq.

[57] **CLAIM**

The ornamental design for age verification device, as shown and described.

DESCRIPTION

FIG. 1 is a front perspective view of the age verification device of my claimed design;
FIG. 2 is a front elevational view thereof;
FIG. 3 is a rear elevational view thereof;
FIG. 4 is a right side elevational view thereof;
FIG. 5 is a left side elevational view thereof;
FIG. 6 is a top end view thereof; and,
FIG. 7 is a bottom end view thereof.

1 Claim, 3 Drawing Sheets

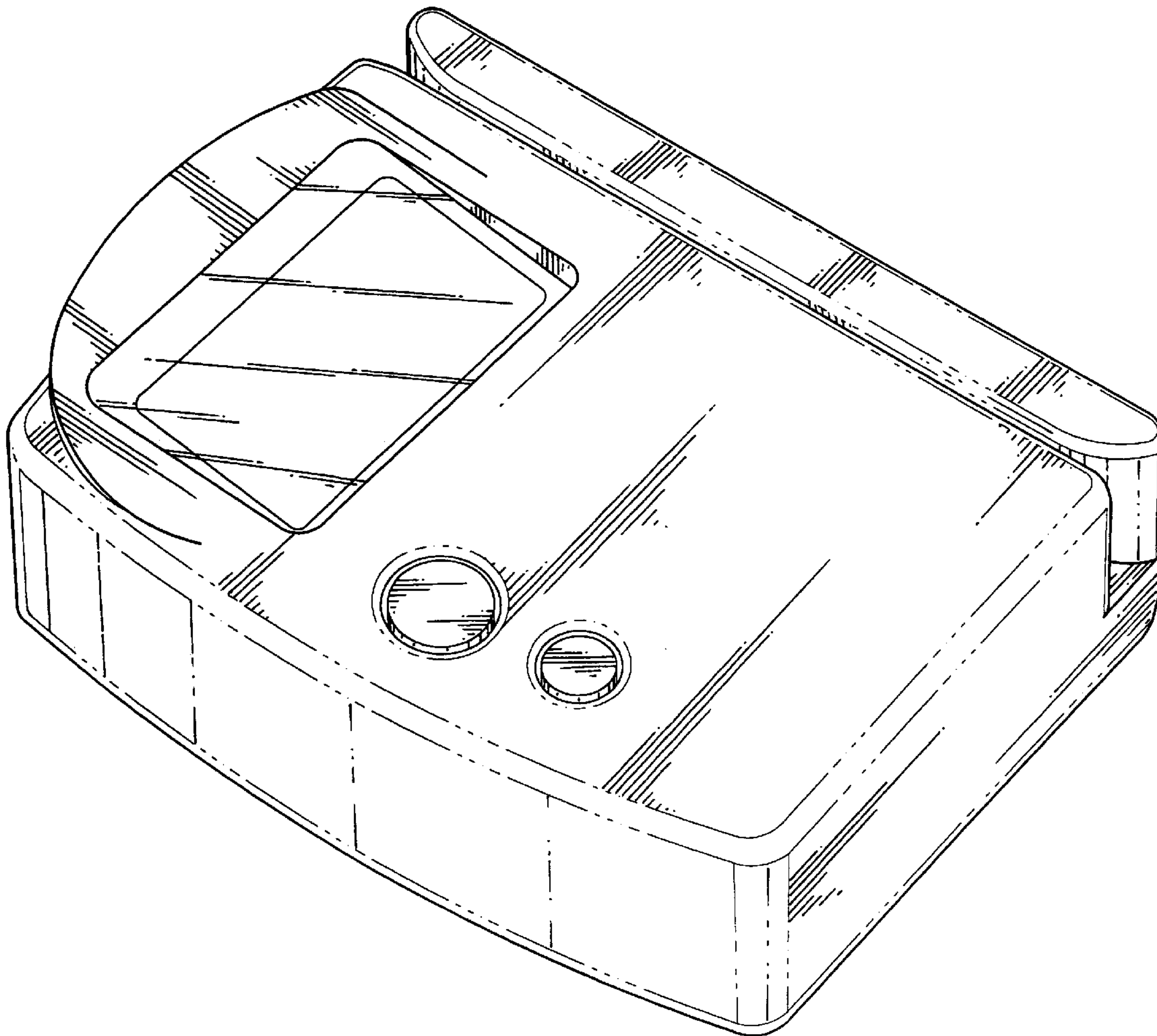


FIG. 1

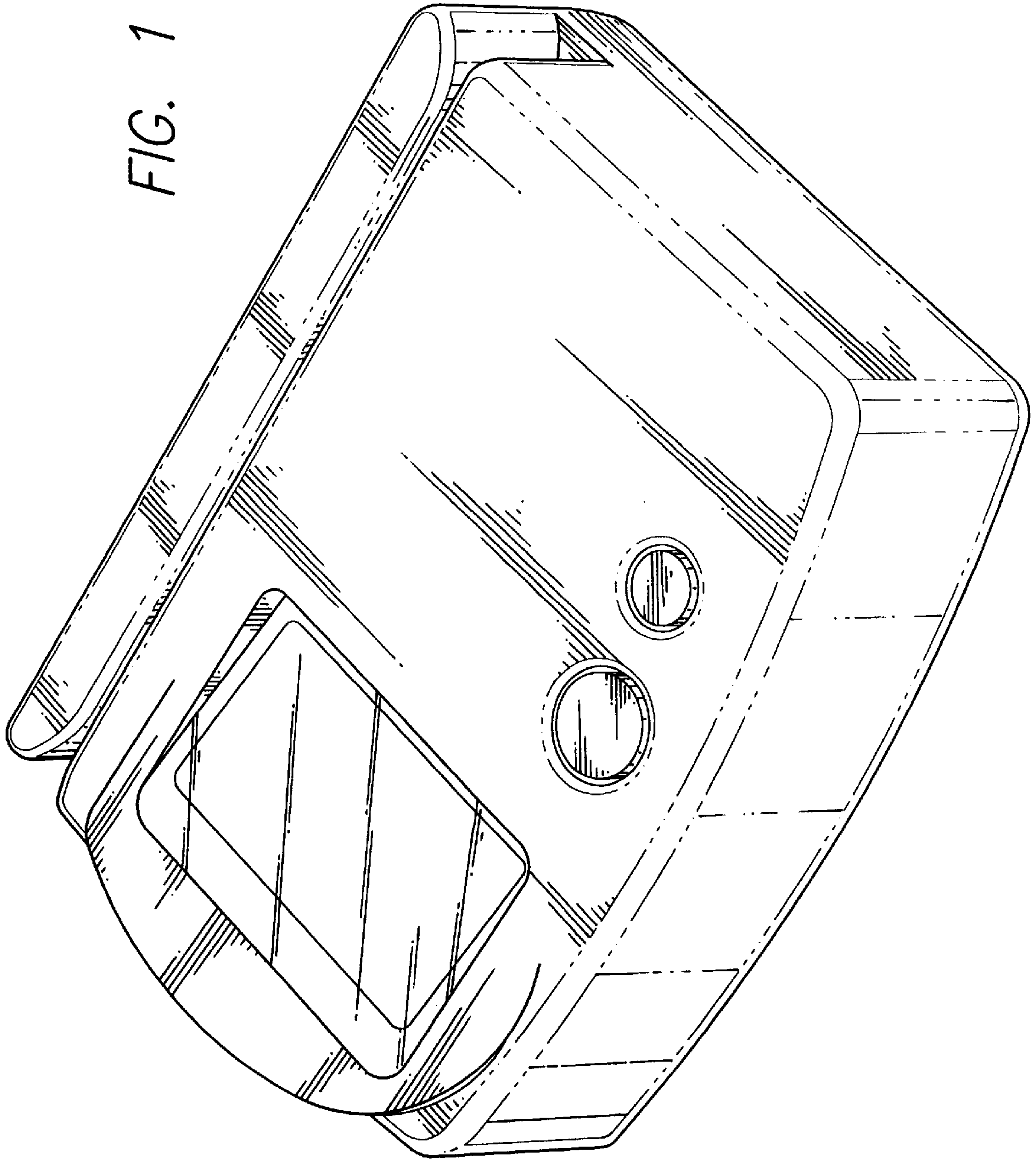


FIG. 3

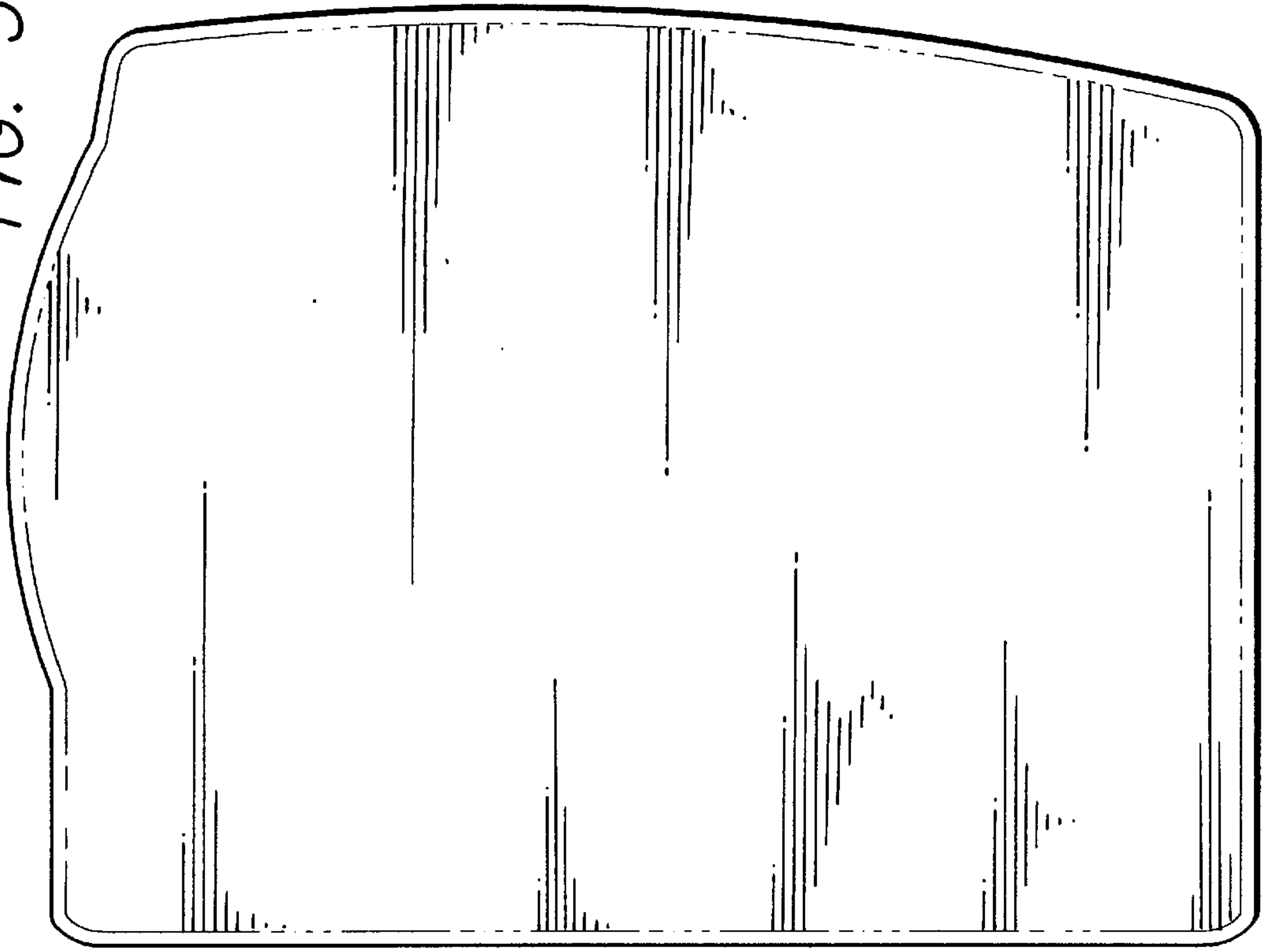


FIG. 2

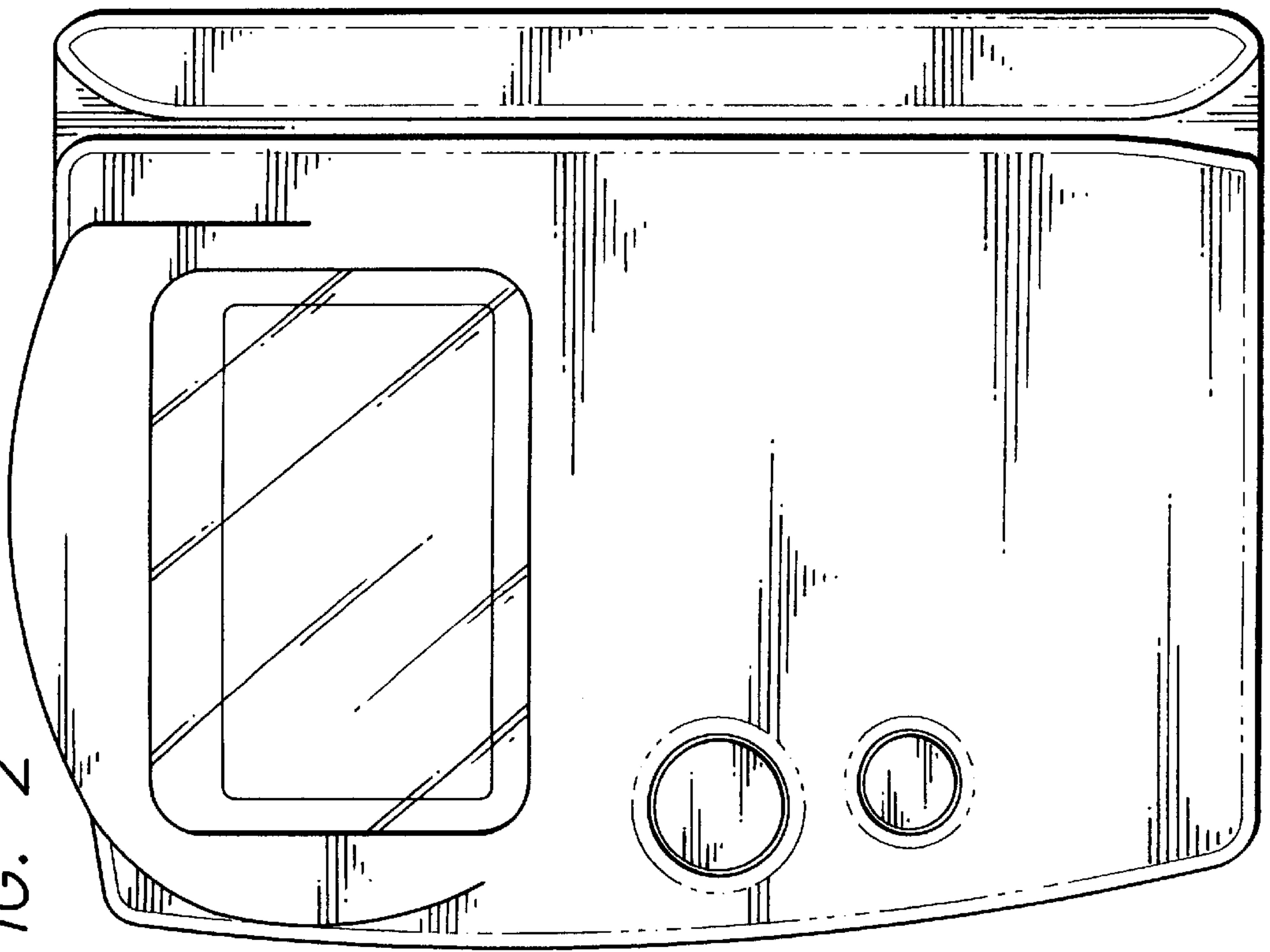


FIG. 4

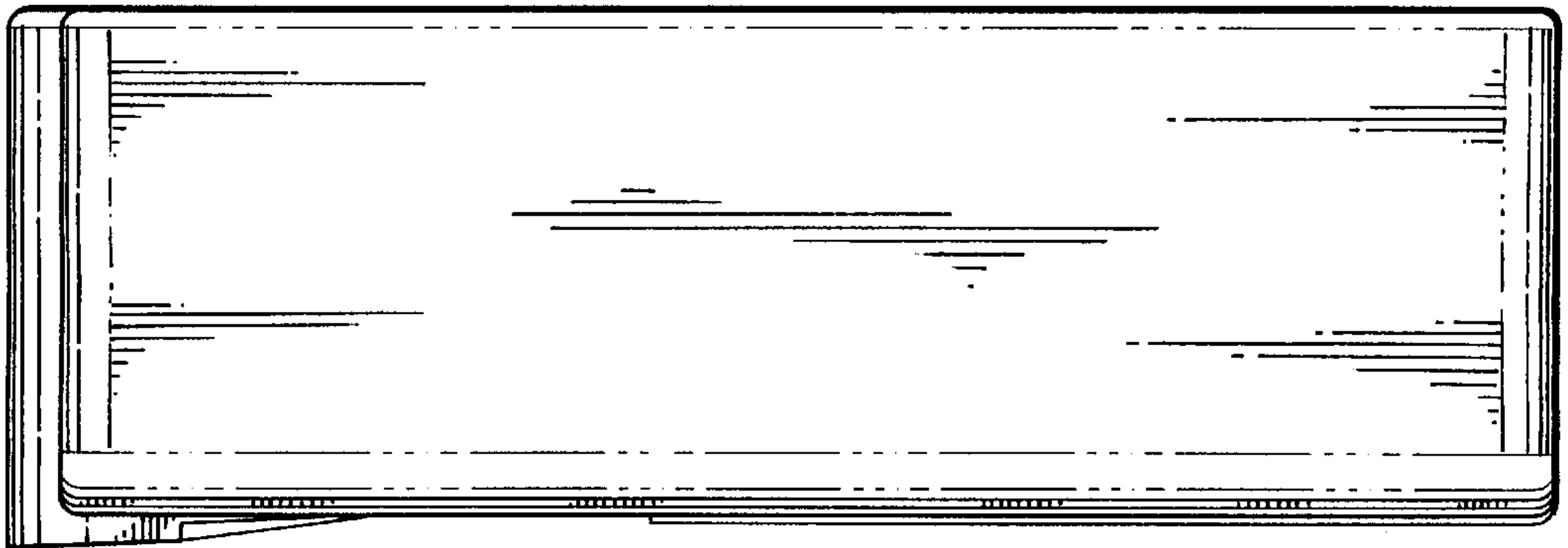


FIG. 5

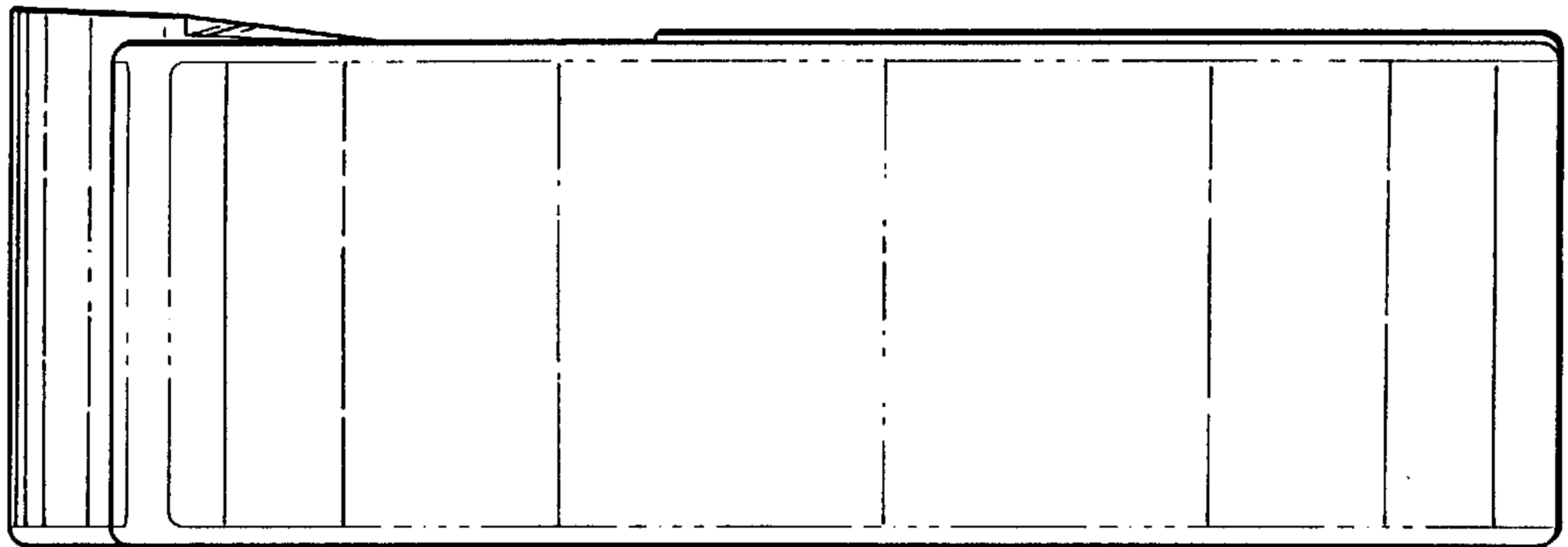


FIG. 6

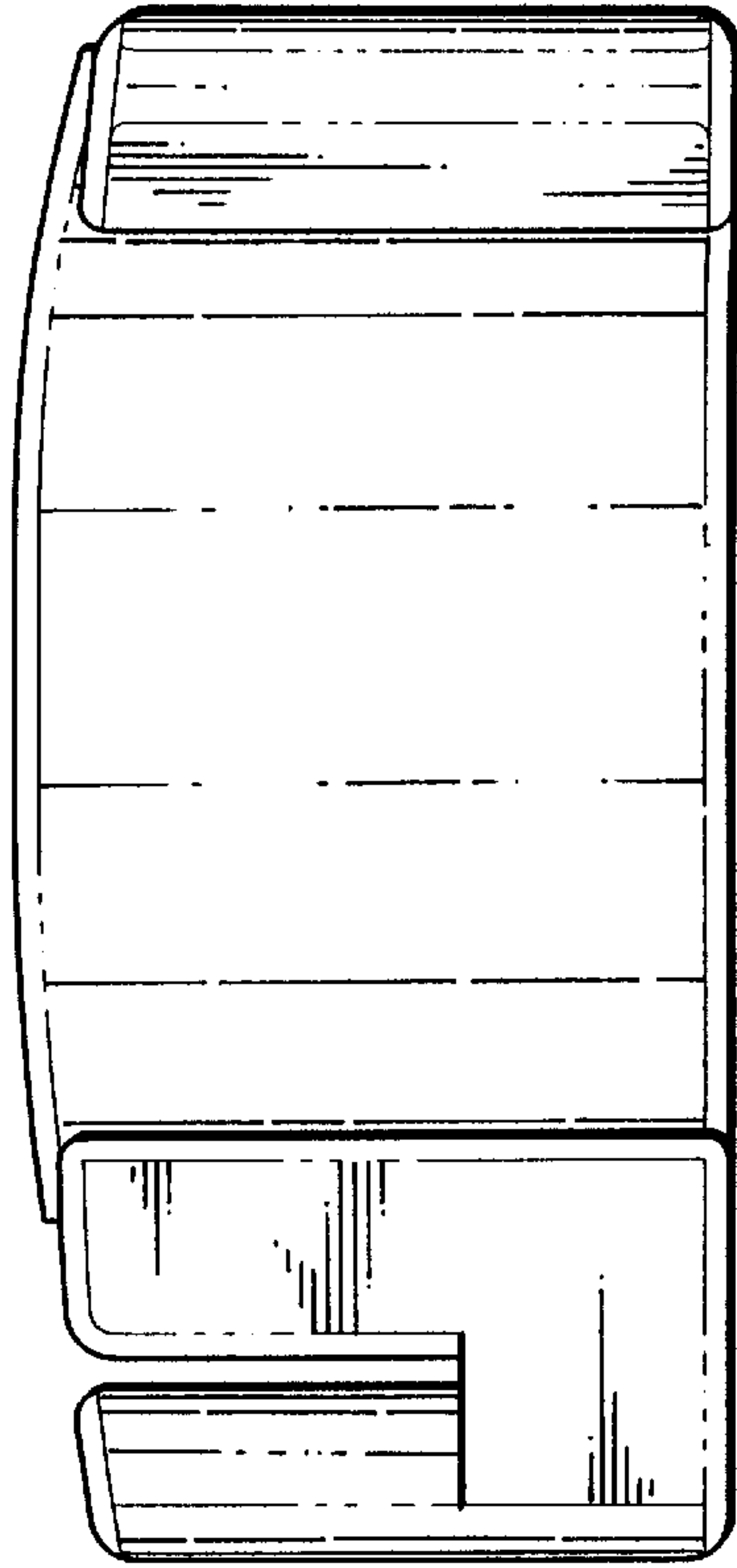


FIG. 7

