



US00D425798S

# United States Patent [19] Gavin

[11] **Patent Number: Des. 425,798**

[45] **Date of Patent: \*\* May 30, 2000**

[54] **LIQUID MAKEUP CONTAINER**

[75] Inventor: **Ellen Gavin**, Atlantic Highlands, N.J.

[73] Assignee: **L'Oreal S.A.**, Paris, France

[\*\*] Term: **14 Years**

[21] Appl. No.: **29/111,126**

[22] Filed: **Sep. 21, 1999**

[51] **LOC (7) Cl.** ..... **09-01**

[52] **U.S. Cl.** ..... **D9/574**; D9/454; D9/544

[58] **Field of Search** ..... D9/544, 571-575,  
D9/454, 558; 215/382, 383

[56] **References Cited**

**U.S. PATENT DOCUMENTS**

D. 200,262	2/1965	Heintze .....	D9/571
D. 289,498	4/1987	Simonetti et al. .	
D. 319,014	8/1991	Di Nuccio .....	D9/575
D. 348,840	7/1994	Kuzma .....	D9/575
D. 386,972	12/1997	Stoecker .....	D9/542
D. 395,605	6/1998	Kokenge .....	D9/571

**OTHER PUBLICATIONS**

Beauty Fashion, Mar. 1982, p. 9, "Lancome Nutribel" bottle.

*Primary Examiner*—Lucy Lieberman

*Attorney, Agent, or Firm*—Baker Botts L.L.P.

[57] **CLAIM**

The ornamental design for a liquid makeup container, as shown and described.

**DESCRIPTION**

FIG. 1 is a three-dimensional perspective view of the liquid makeup container of the present invention;

FIG. 2 is a front view of the liquid makeup container of the present invention;

FIG. 3 is a side view of the liquid makeup container of the present invention;

FIG. 4 is a back view of the liquid makeup container of the present invention;

FIG. 5 is a top view of the liquid makeup container of the present invention; and,

FIG. 6 is a bottom view of the liquid makeup container of the present invention.

**1 Claim, 2 Drawing Sheets**



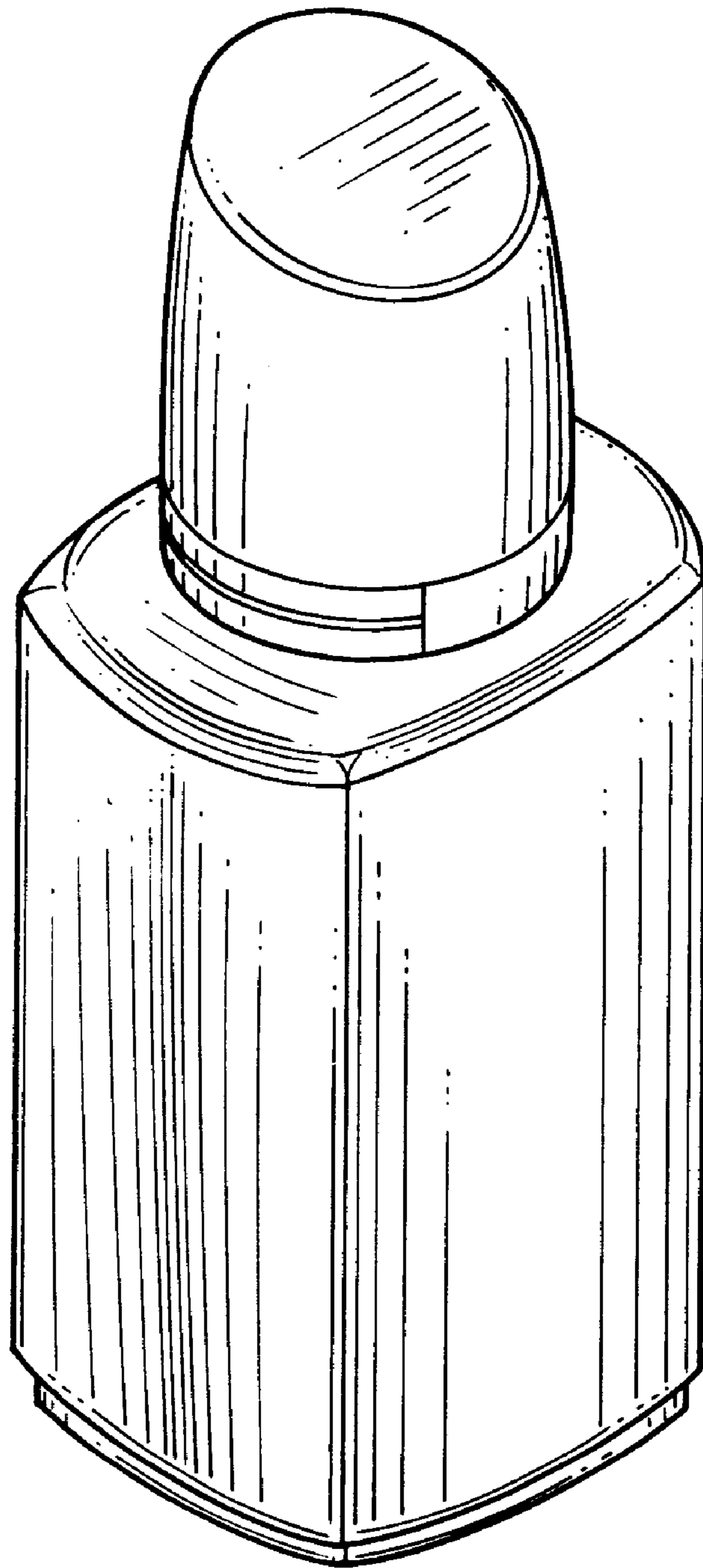


FIG. 1

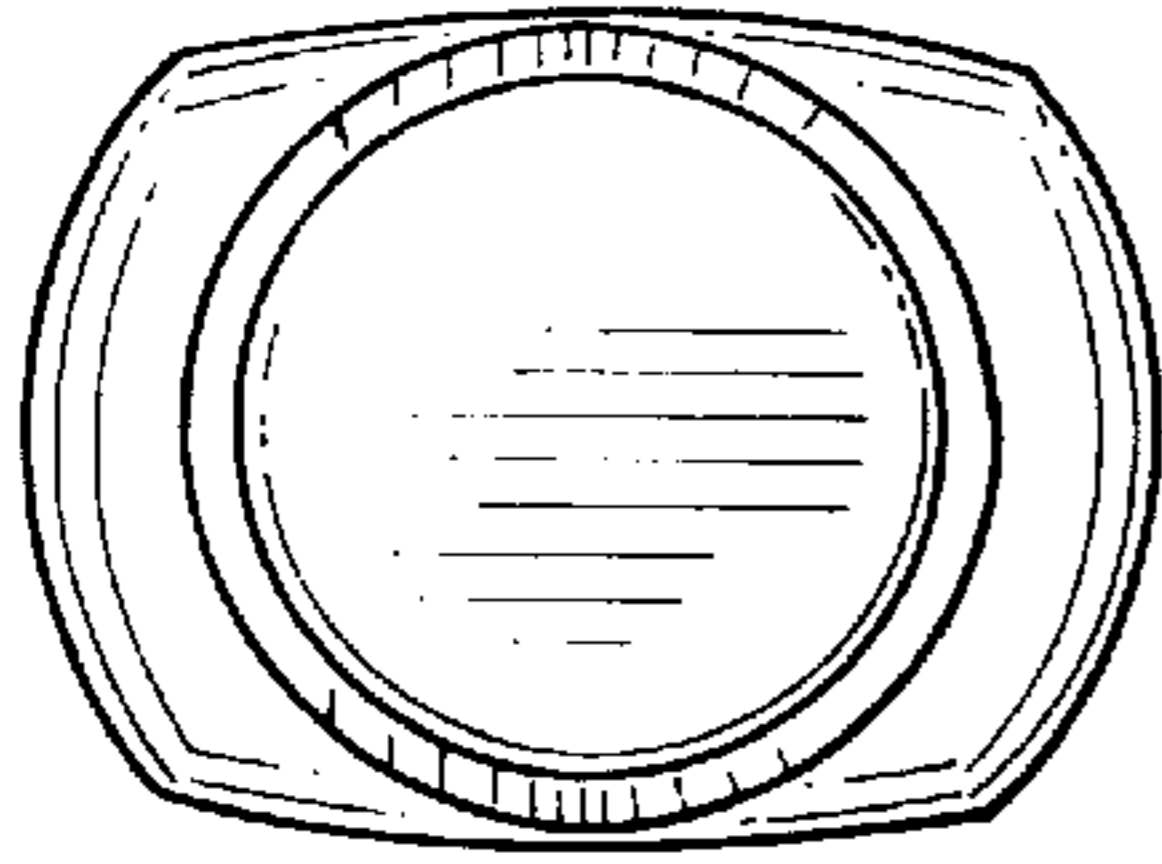


FIG. 5

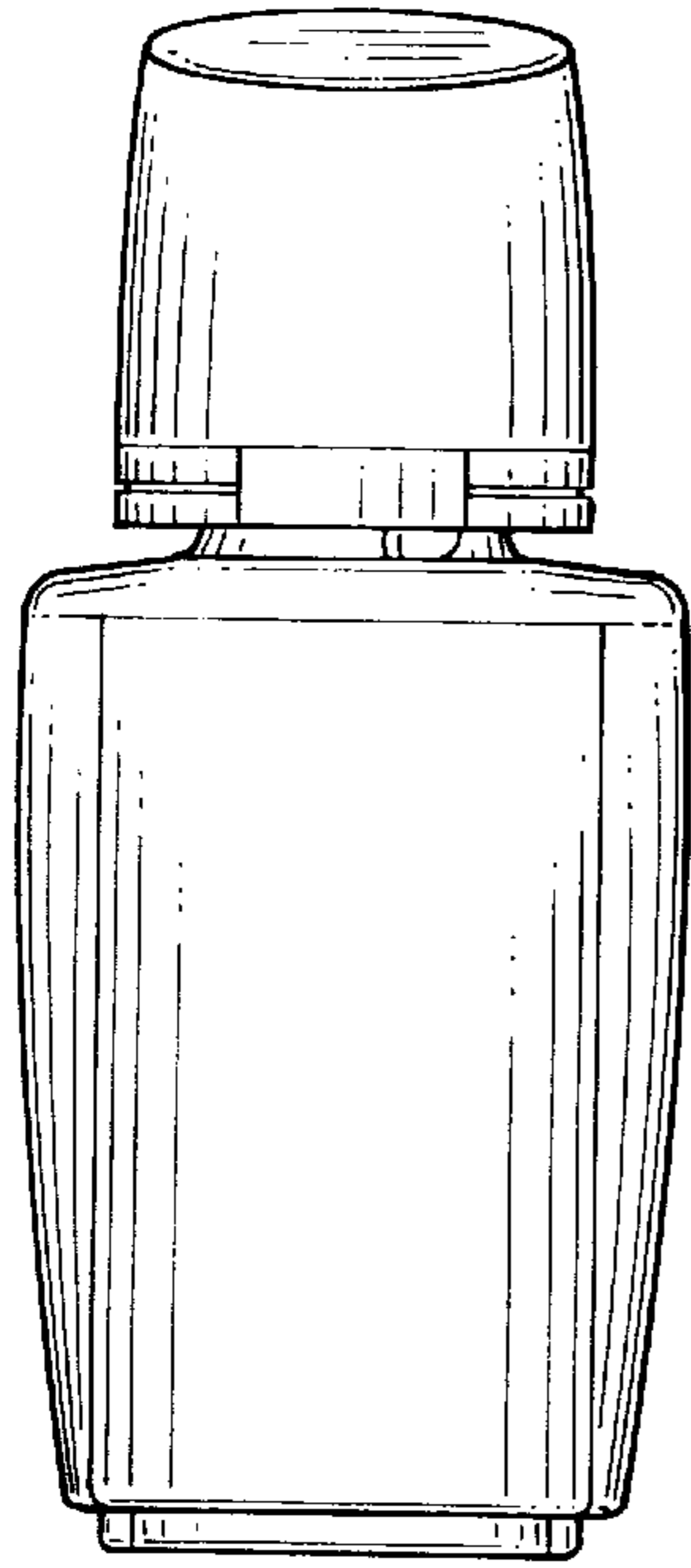


FIG. 2

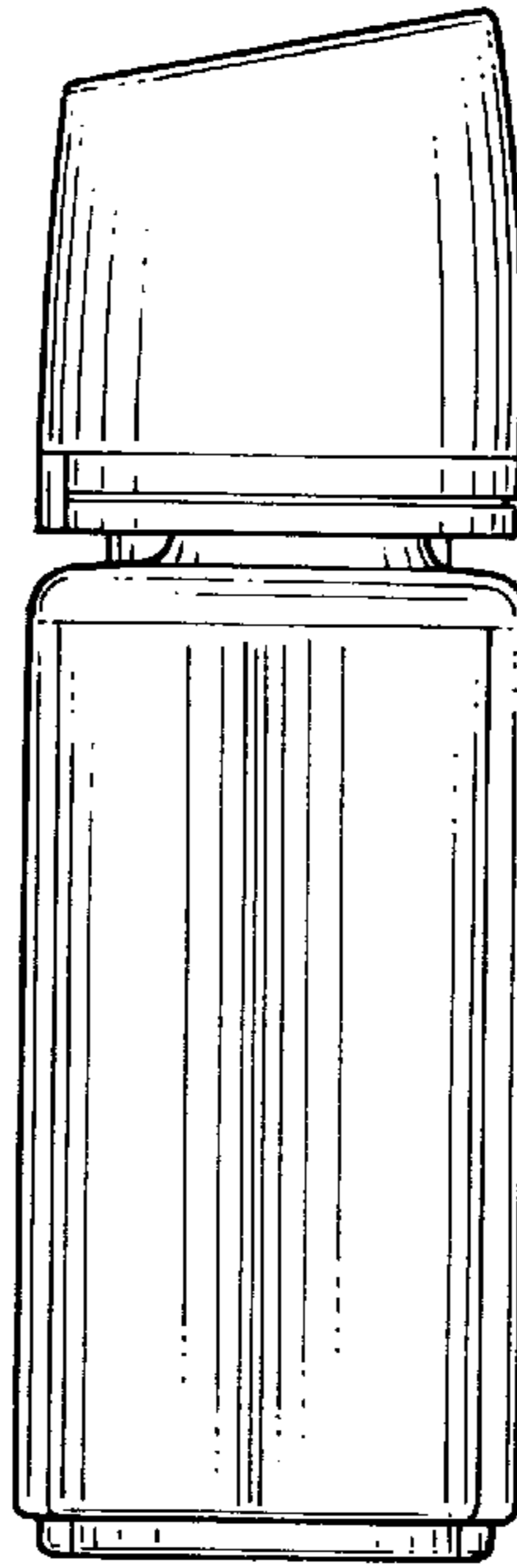


FIG. 3

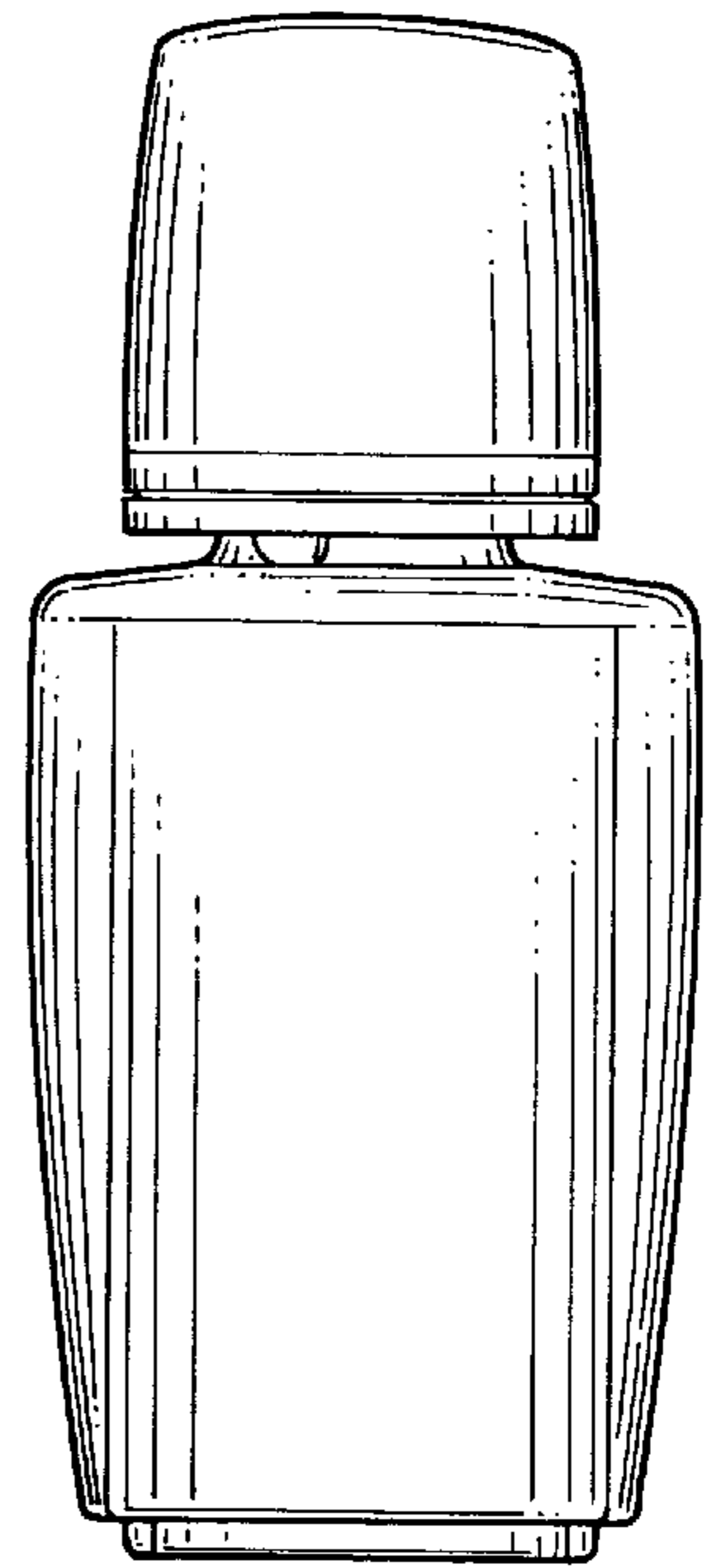


FIG. 4

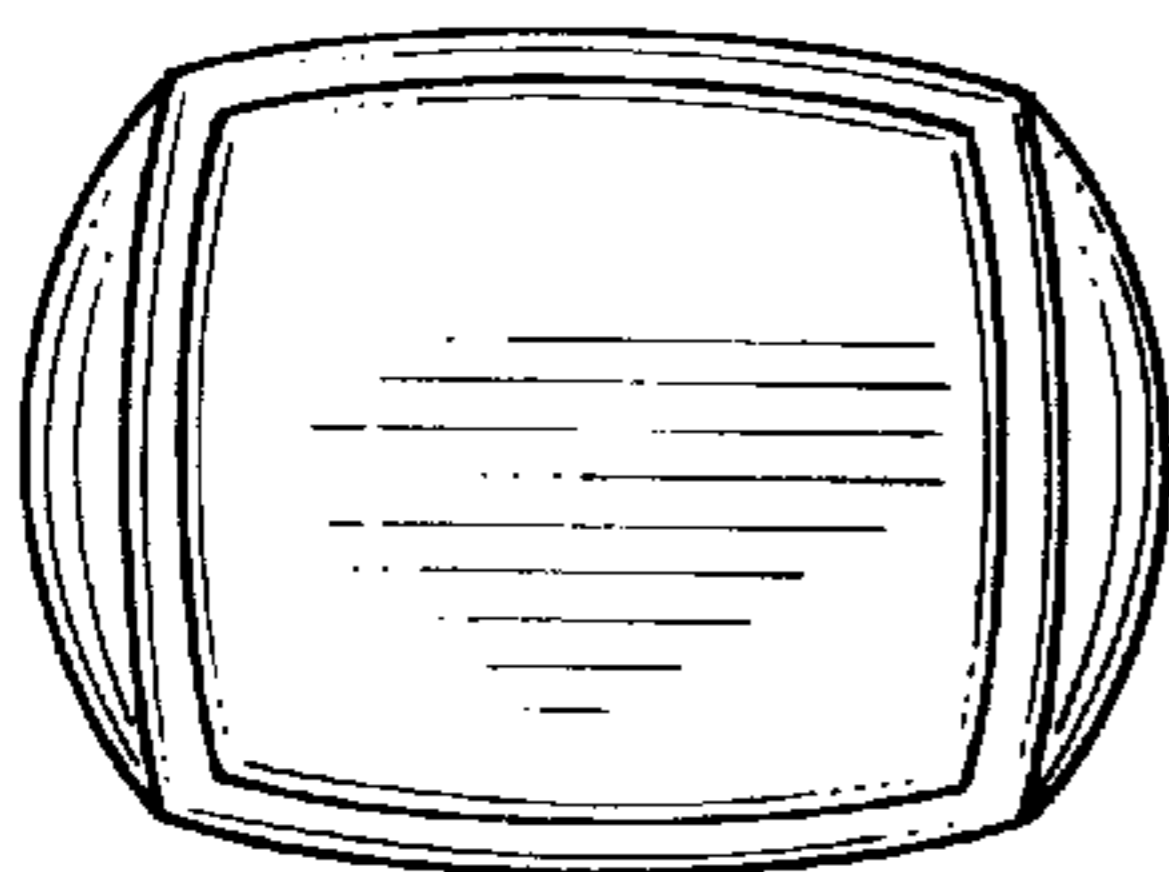


FIG. 6