



US00D425791S

United States Patent [19] Brozzi

[11] Patent Number: **Des. 425,791**

[45] Date of Patent: **** May 30, 2000**

[54] **PACKAGING**

[75] Inventor: **Giacomo Brozzi**, Parma, Italy
[73] Assignee: **Fendi Profumi S.p.A.**, Parma, Italy
[**] Term: **14 Years**

[21] Appl. No.: **29/094,914**
[22] Filed: **Oct. 13, 1998**

[51] **LOC (7) Cl.** **09-03**
[52] **U.S. Cl.** **D9/432**
[58] **Field of Search** D9/345-347, 430-433,
D9/414, 415; 40/312; 206/232, 308.1, 459.5,
806; 229/116.1, 117.18, 117.15, 131.1,
132, 148, 162

[56] **References Cited**

U.S. PATENT DOCUMENTS

Re. 33,503	12/1990	Schulger	206/232
D. 353,538	12/1994	Jobit	D9/432
3,713,577	1/1973	Skinner	206/424
4,433,780	2/1984	Ellis	206/387.1
4,635,843	1/1987	Tomlinson	229/117.18
4,732,316	3/1988	Oliff et al.	229/117.18
4,828,105	5/1989	Silengo et al.	206/232
5,038,930	8/1991	Holtkamp, Jr.	206/232

5,232,087 8/1993 Schulger 206/424

Primary Examiner—Ted Shooman
Assistant Examiner—Carol Rademaker
Attorney, Agent, or Firm—John L. Chiatlas

[57] **CLAIM**

I claim the ornamental design for the packaging, as shown and described.

DESCRIPTION

FIG. 1 is a top view of the new ornamental packaging of the present invention, showing the invention closed.
FIG. 2 is a front view of the new ornamental packaging shown in FIG. 1. The rear view, not shown, is identical to the front view.
FIG. 3 is a right side view of the new ornamental packaging shown in FIG. 1. The left side view, not shown, is identical to the right side view.
FIG. 4 is a bottom view of the new ornamental packaging shown in FIG. 1; and,
FIG. 5 is a front perspective view of the new ornamental packaging shown in FIG. 1, showing the invention fully open.
The broken line showing in FIGS. 1, 2 & 5 is for illustrative purposes only and forms no part of the claimed design.

1 Claim, 2 Drawing Sheets

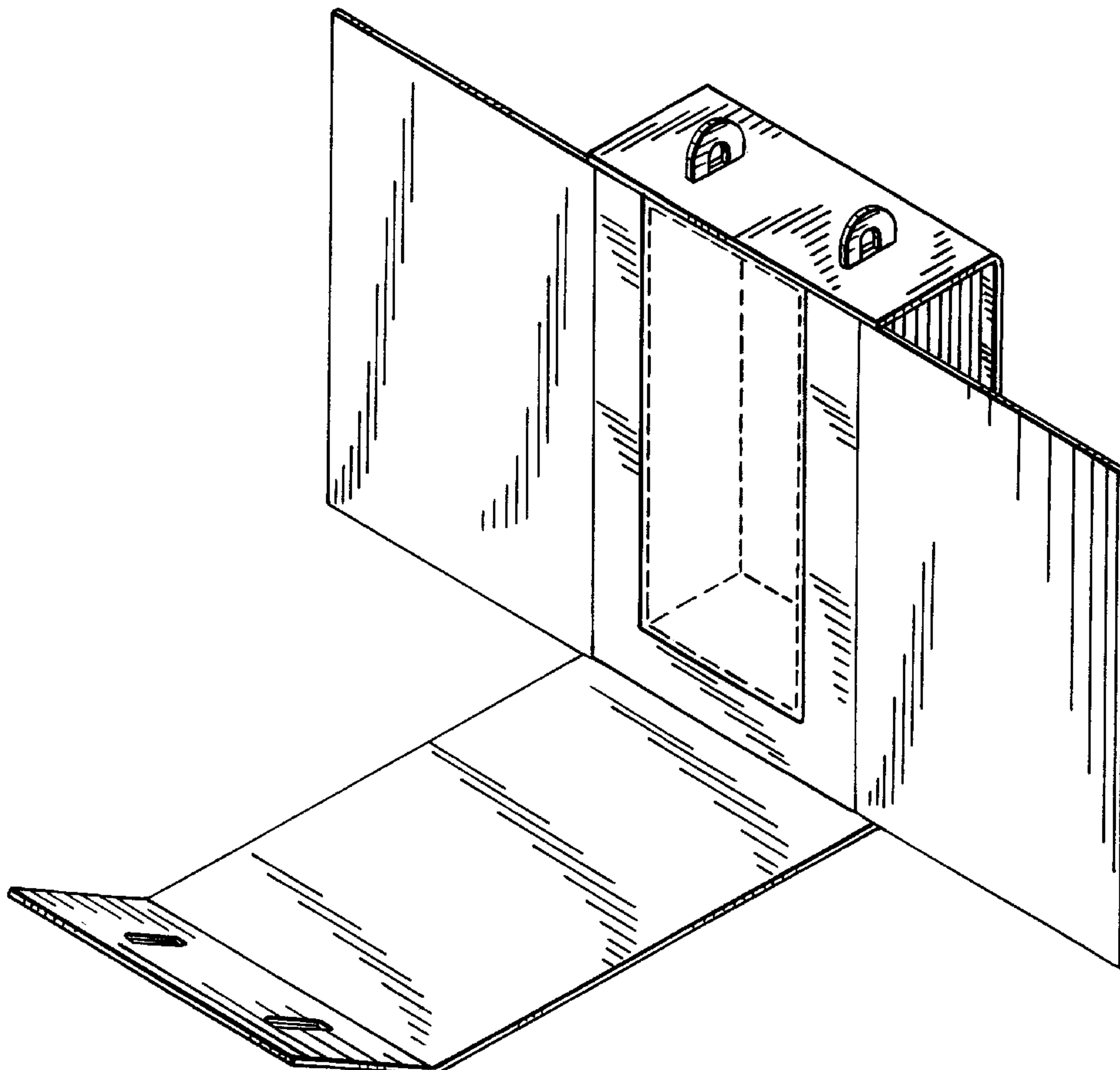


FIG. 1

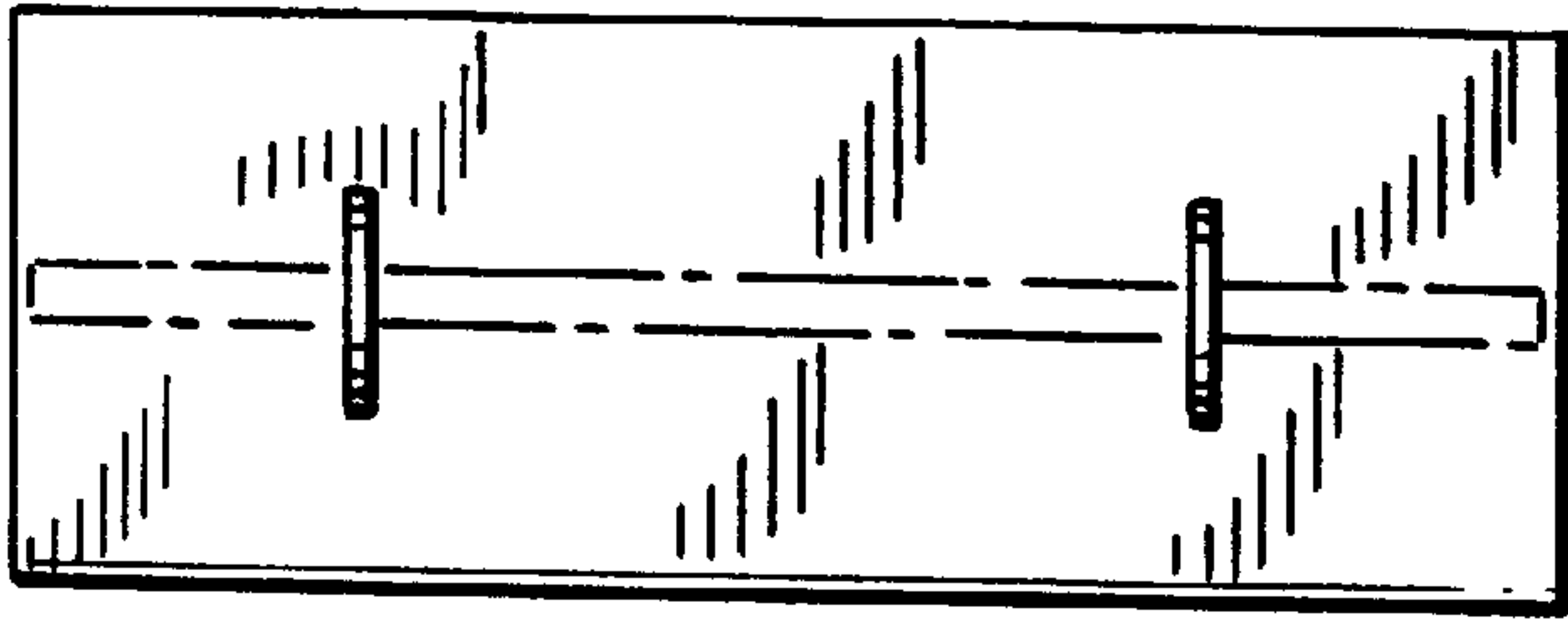


FIG. 2

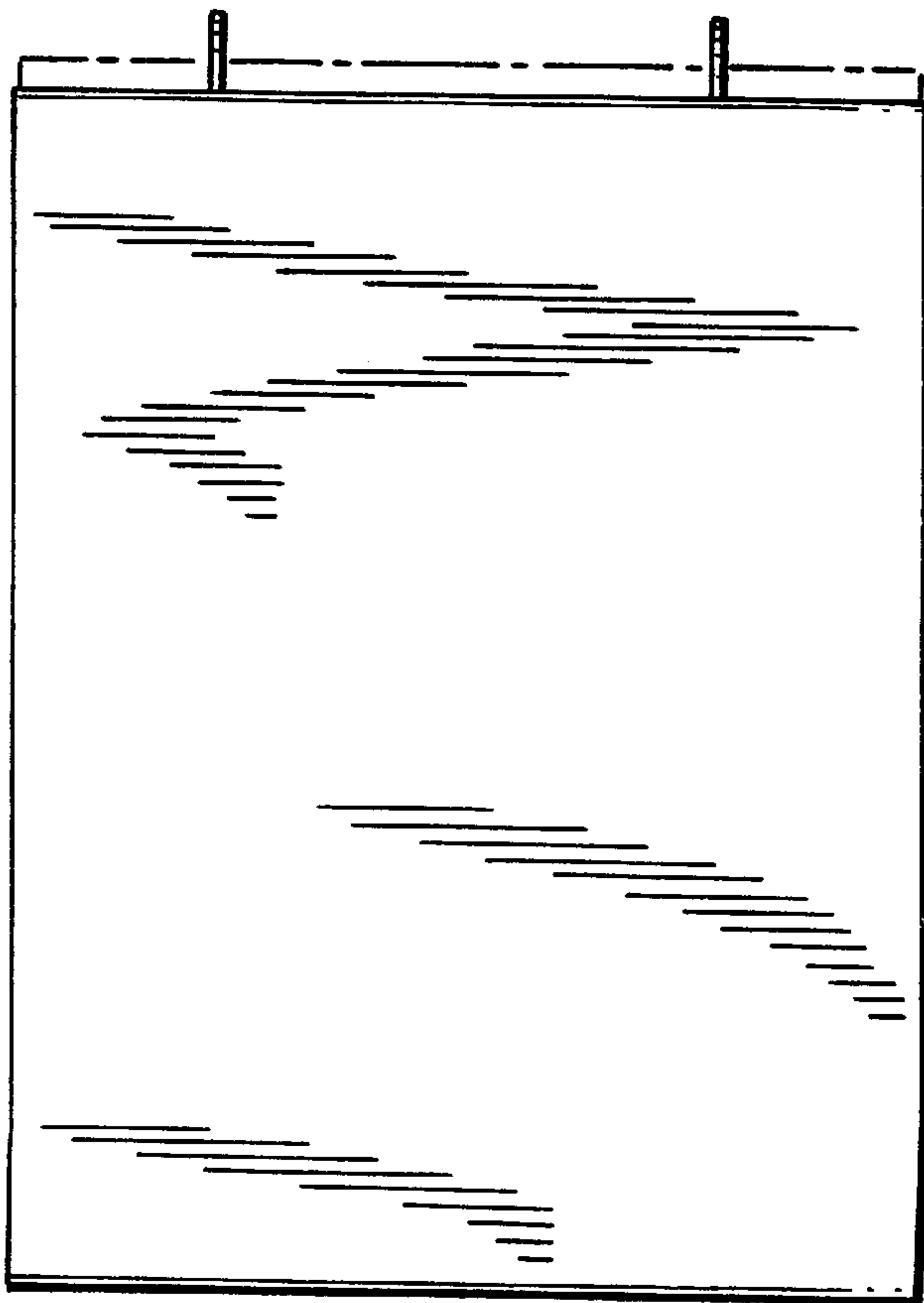


FIG. 3



FIG. 4

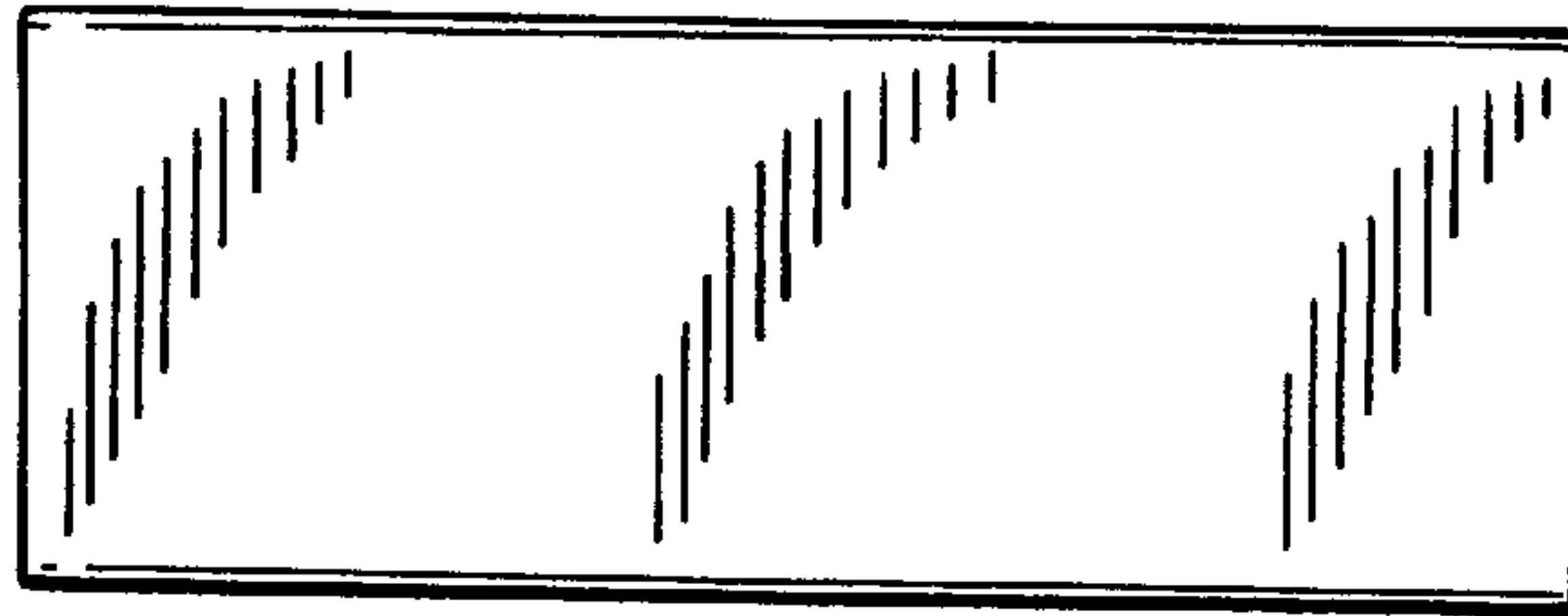


FIG. 5

