



US00D425787S

United States Patent [19] Kellar

[11] Patent Number: **Des. 425,787**

[45] Date of Patent: **** May 30, 2000**

[54] **TIERED CARTONS**

[75] Inventor: **David S Kellar**, Corvallis, Oreg.

[73] Assignee: **Hewlett-Packard Company**, Palo Alto, Calif.

[**] Term: **14 Years**

[21] Appl. No.: **29/104,247**

[22] Filed: **Apr. 30, 1999**

[51] **LOC (7) Cl.** **09-03**

[52] **U.S. Cl.** **D9/346; D9/431**

[58] **Field of Search** D9/341, 345-347, D9/430-433, 305, 414, 499; 206/501, 503, 526, 813; 220/23.83, 23.86; 229/112, 143, 120.01, 162

[56] **References Cited**

U.S. PATENT DOCUMENTS

D. 224,290	7/1972	Robertson .	
D. 227,229	6/1973	Funabashi .	
D. 288,533	3/1987	Jialanella et al. .	
D. 342,025	12/1993	Abraben et al. .	
D. 355,598	2/1995	Aronhalt .	
D. 357,626	4/1995	Snow et al. .	
D. 368,028	3/1996	Baker .	
D. 384,583	10/1997	Green et al.	D9/431
2,749,016	6/1956	cote .	
2,993,631	7/1961	Pasin	229/112
3,259,153	7/1966	Haase	229/112
3,880,342	4/1975	Longo, Jr.	229/112
3,885,667	5/1975	Spiegel et al. .	
3,900,104	8/1975	Harned	229/112
3,904,029	9/1975	Koltz .	
4,203,525	5/1980	Okubo .	
4,326,546	4/1982	Acker .	
4,630,734	12/1986	Severin et al. .	
4,944,402	7/1990	Wu .	
5,069,334	12/1991	Herrin et al. .	
5,186,345	2/1993	Ching An .	
5,379,894	1/1995	Haas et al. .	
5,520,322	5/1996	Conviser	D9/431

5,538,179	7/1996	Cai .	
5,660,322	8/1997	Jensen .	
5,799,792	9/1998	Abrums	206/501

OTHER PUBLICATIONS

Modern Packaging, p. 134 Date: 1972-1973.
Packaging, vol. 31, p. 53 Date: Aug. 1986.
Modern Packaging Catalog, p. 318, Date: 1967.
Hewlett-Packard HP51629A Black Inkjet Print Cartridge Packaging Date: Unknown.
Hewlett-Packard C1809A Design Jet CP Ink System Packaging Date: Unknown.

Primary Examiner—Ted Shooman
Assistant Examiner—Carol Rademaker
Attorney, Agent, or Firm—Edward Maker, II

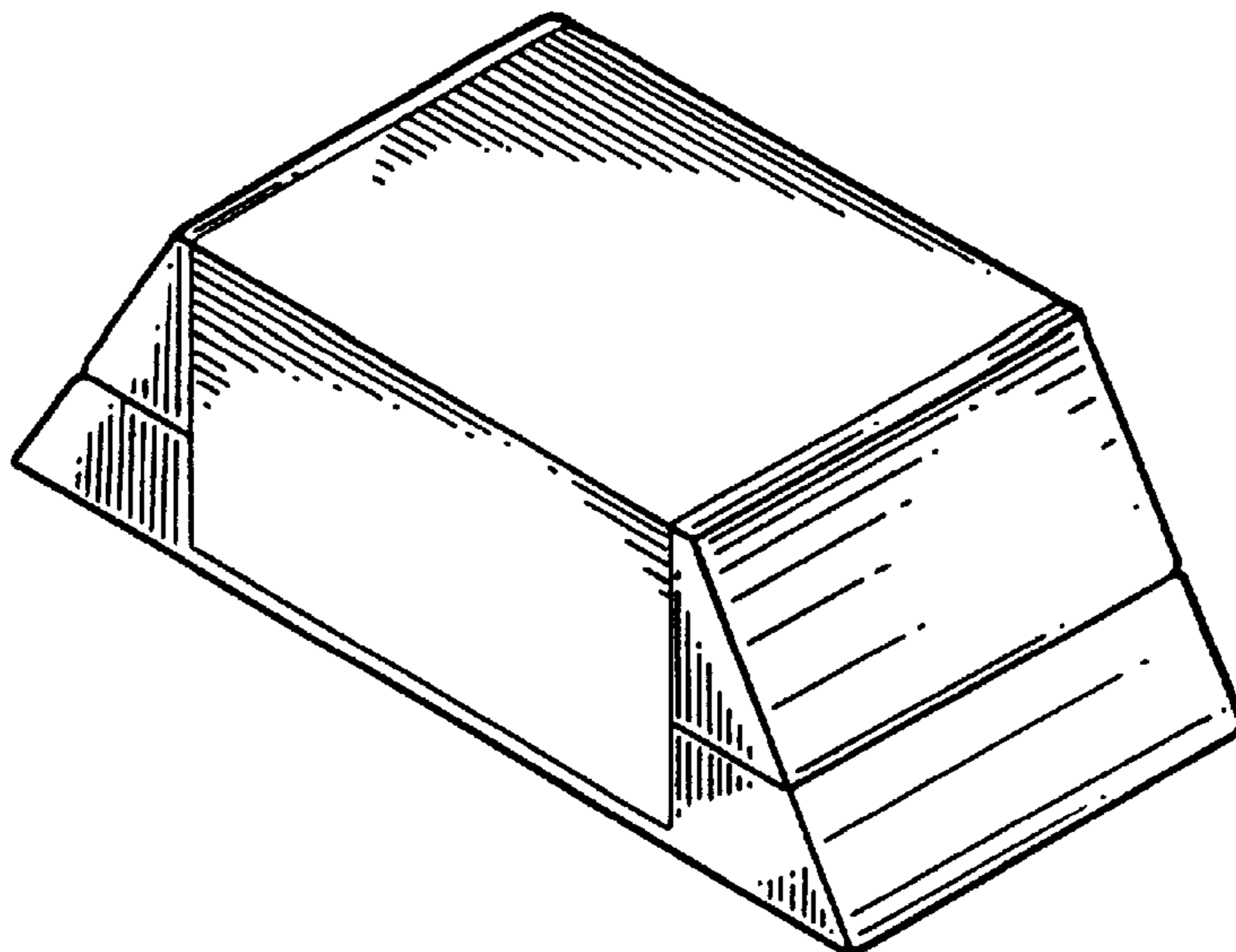
[57] **CLAIM**

I claim the ornamental design for tiered cartons, as shown and described.

DESCRIPTION

FIG. 1 is a top, front, and right side perspective view of tiered cartons showing my new design;
FIG. 2 is a side elevation view of my new design the opposite side being identical;
FIG. 3 is an end elevation view of my new design the opposite end being identical;
FIG. 4 is a top plan view of my new design;
FIG. 5 is a bottom plan view of my new design;
FIG. 6 is a top, front, and right side perspective view of tiered cartons showing an alternative embodiment of my new design;
FIG. 7 is a side elevation view of the alternative embodiment of my new design;
FIG. 8 is an end elevation view of the alternative embodiment of my new design;
FIG. 9 is a top plan view of the alternative embodiment of my new design; and,
FIG. 10 is a bottom plan view of the alternative embodiment of my new design.

1 Claim, 2 Drawing Sheets



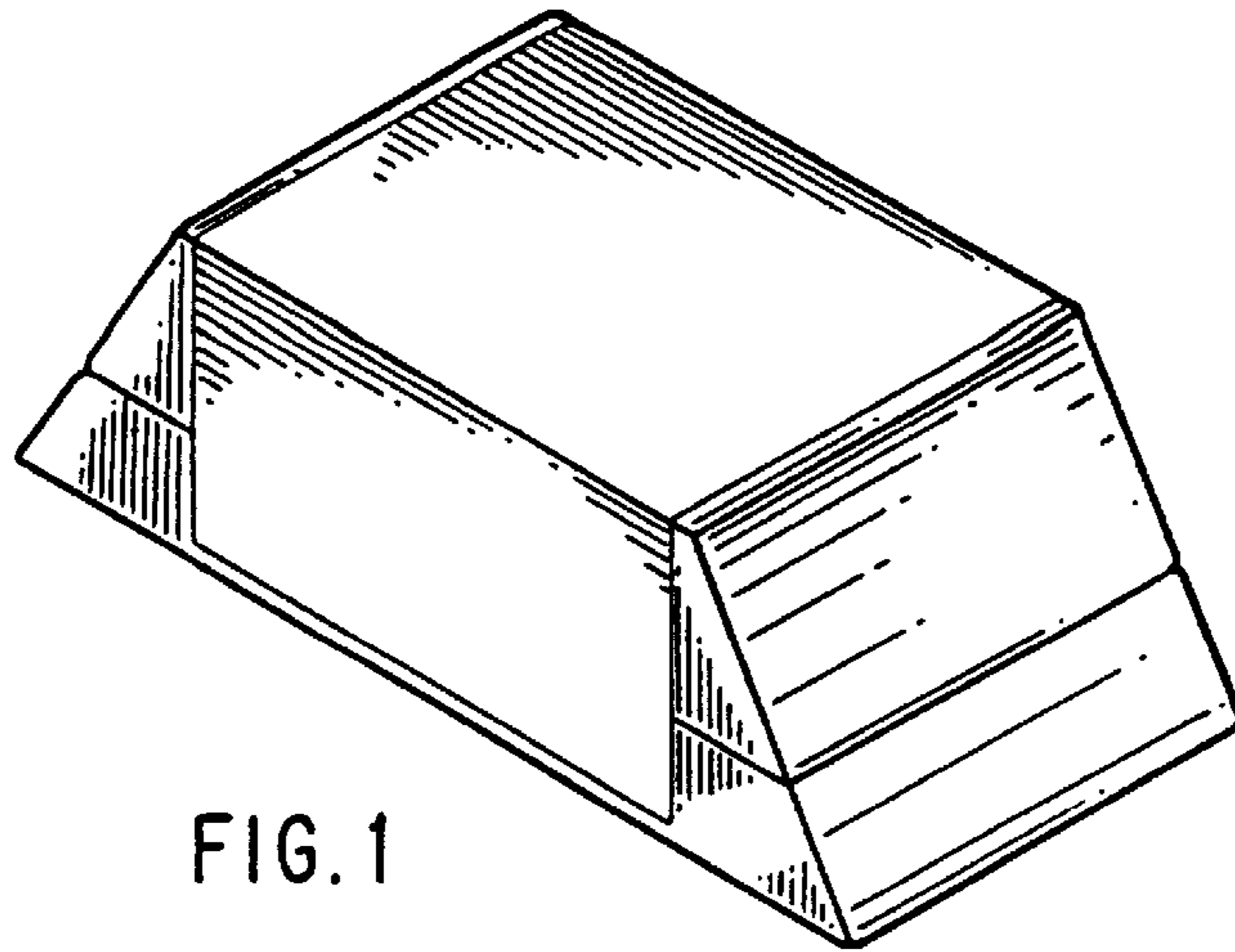


FIG. 1

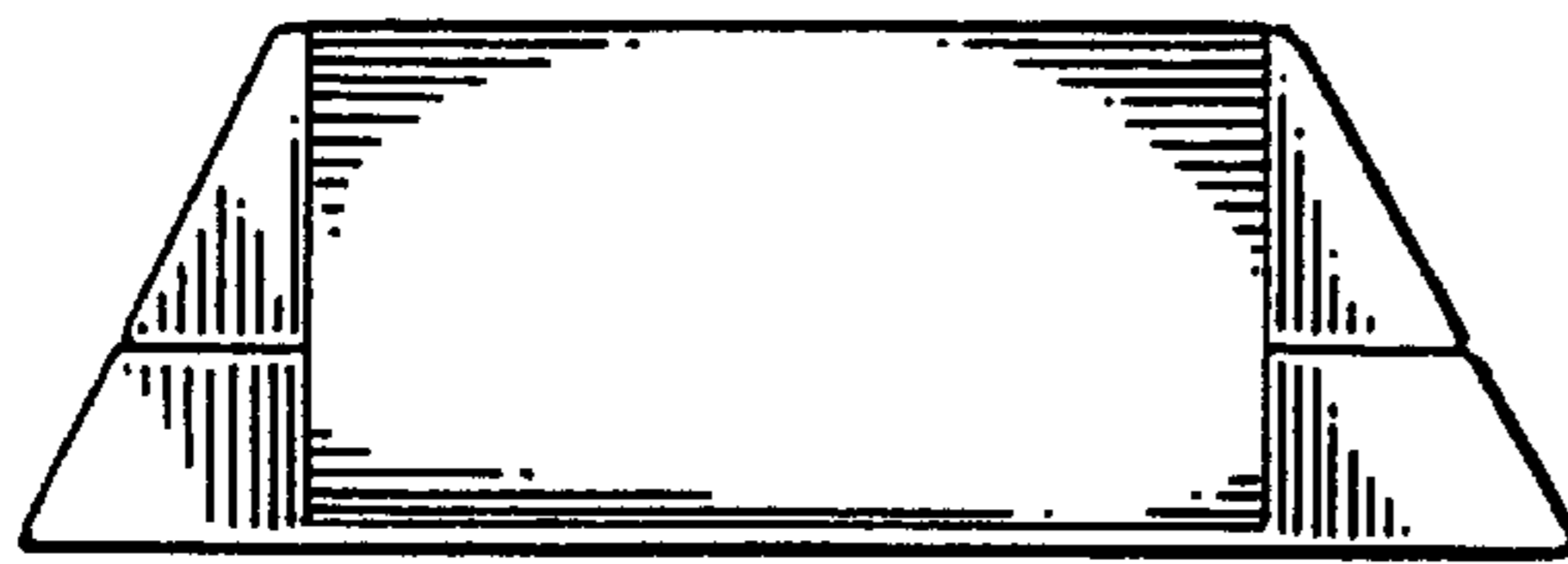


FIG. 2

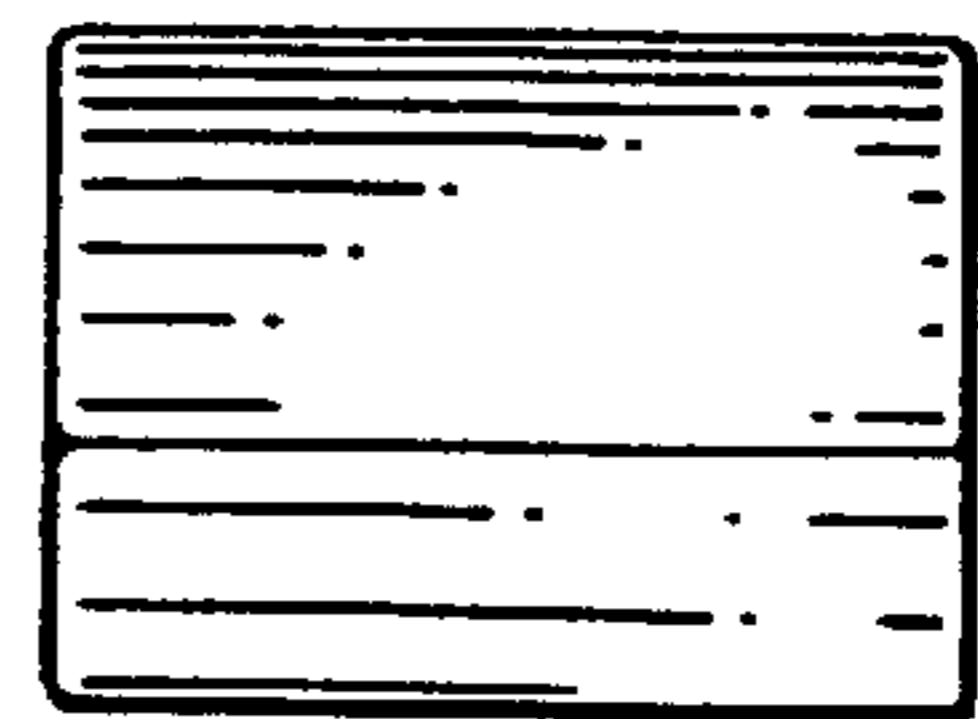


FIG. 3

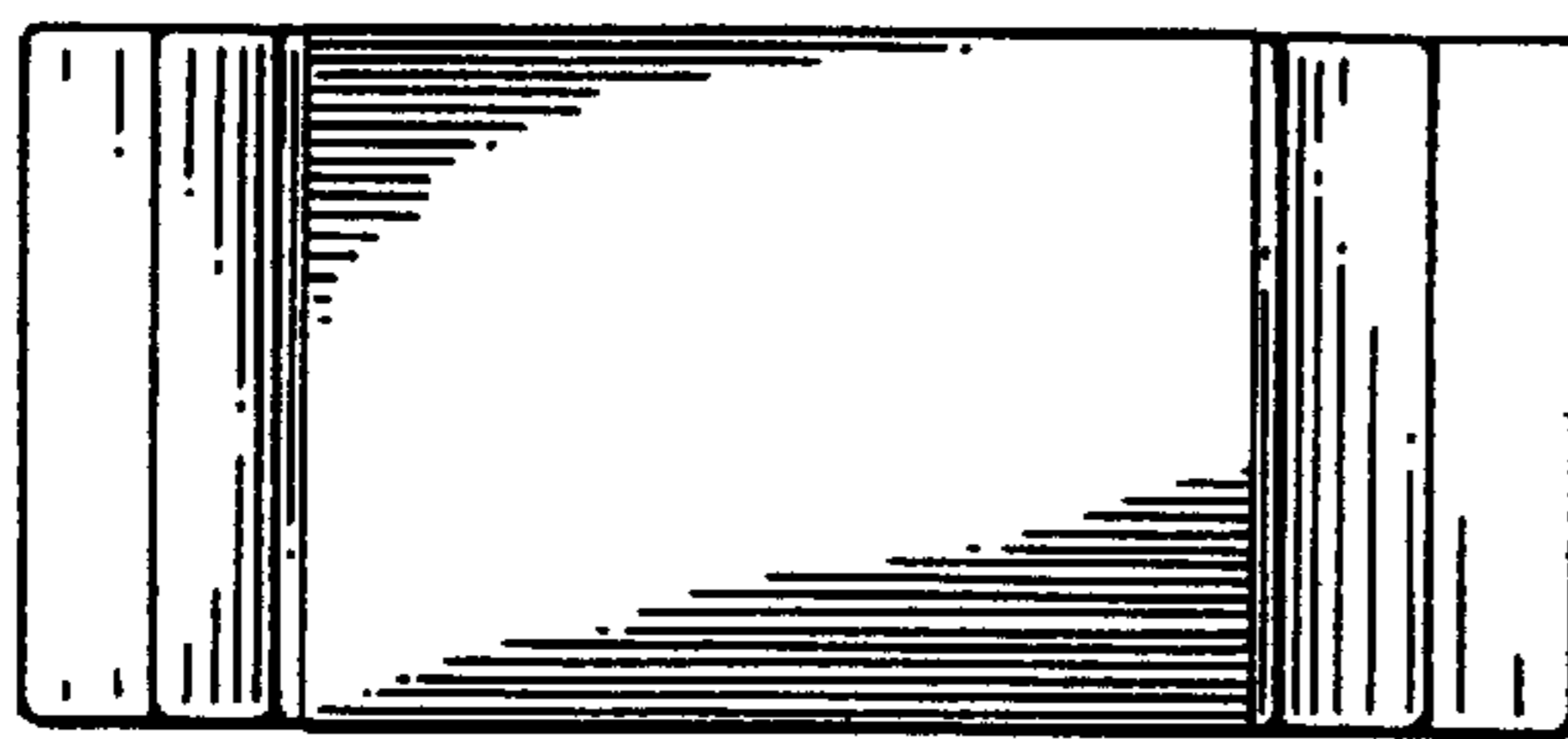


FIG. 4

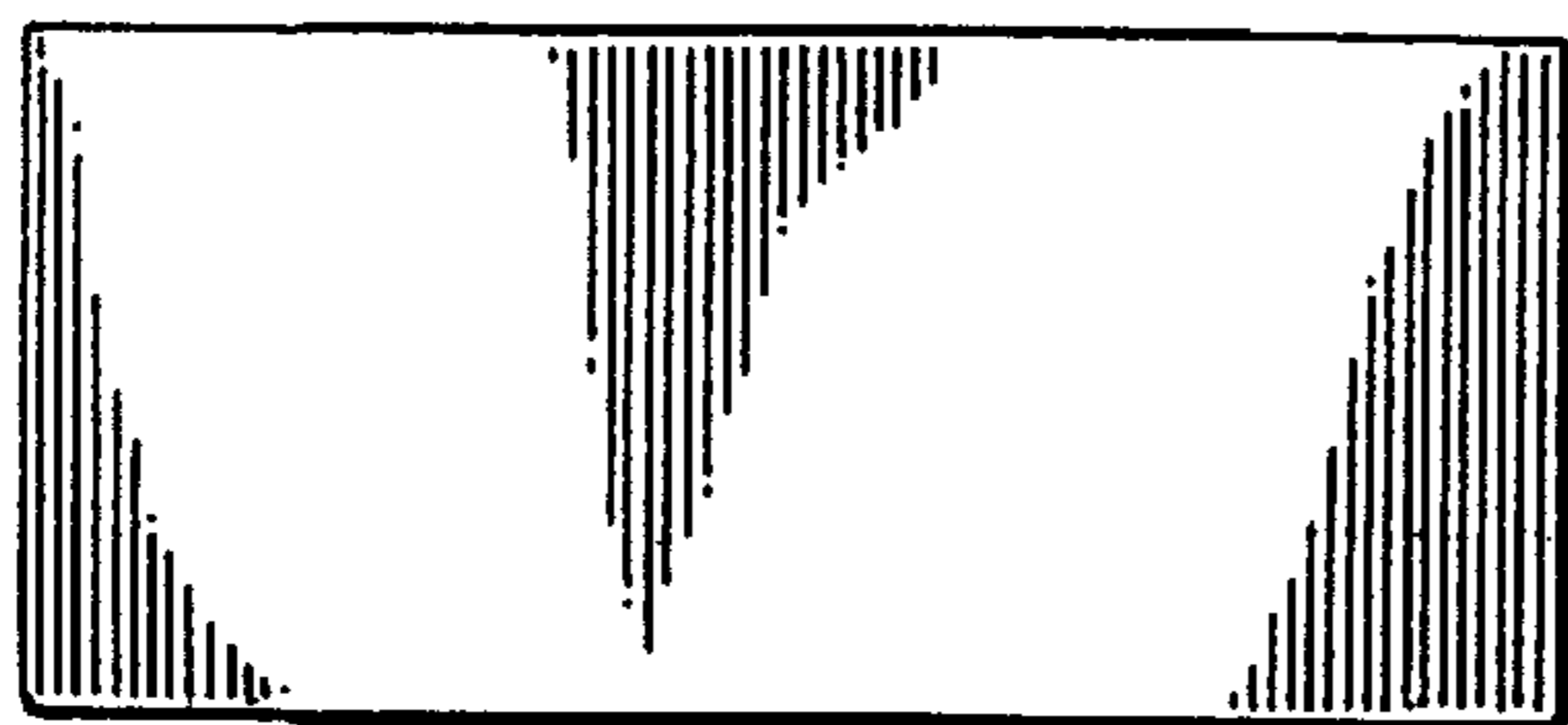


FIG. 5

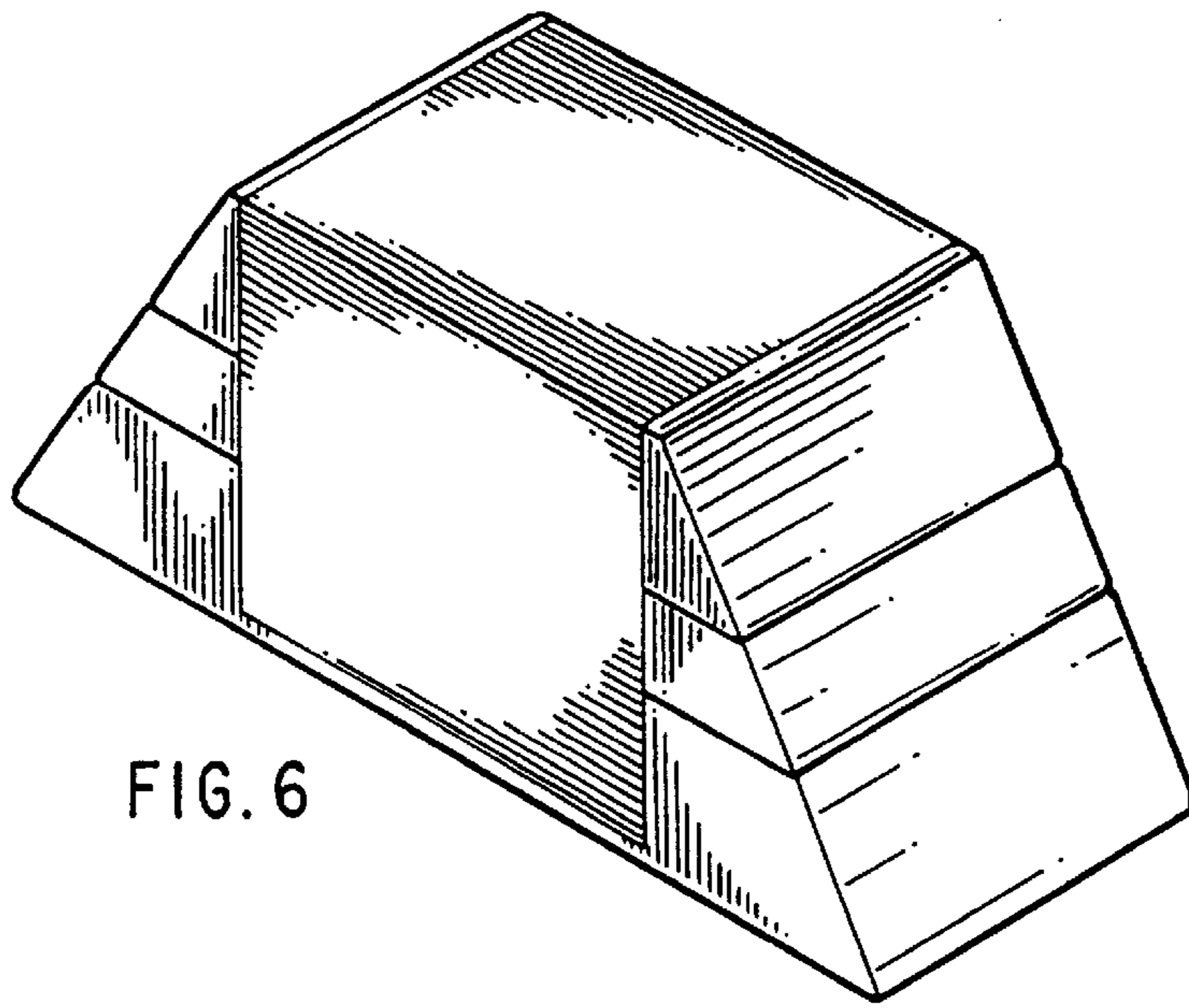


FIG. 6

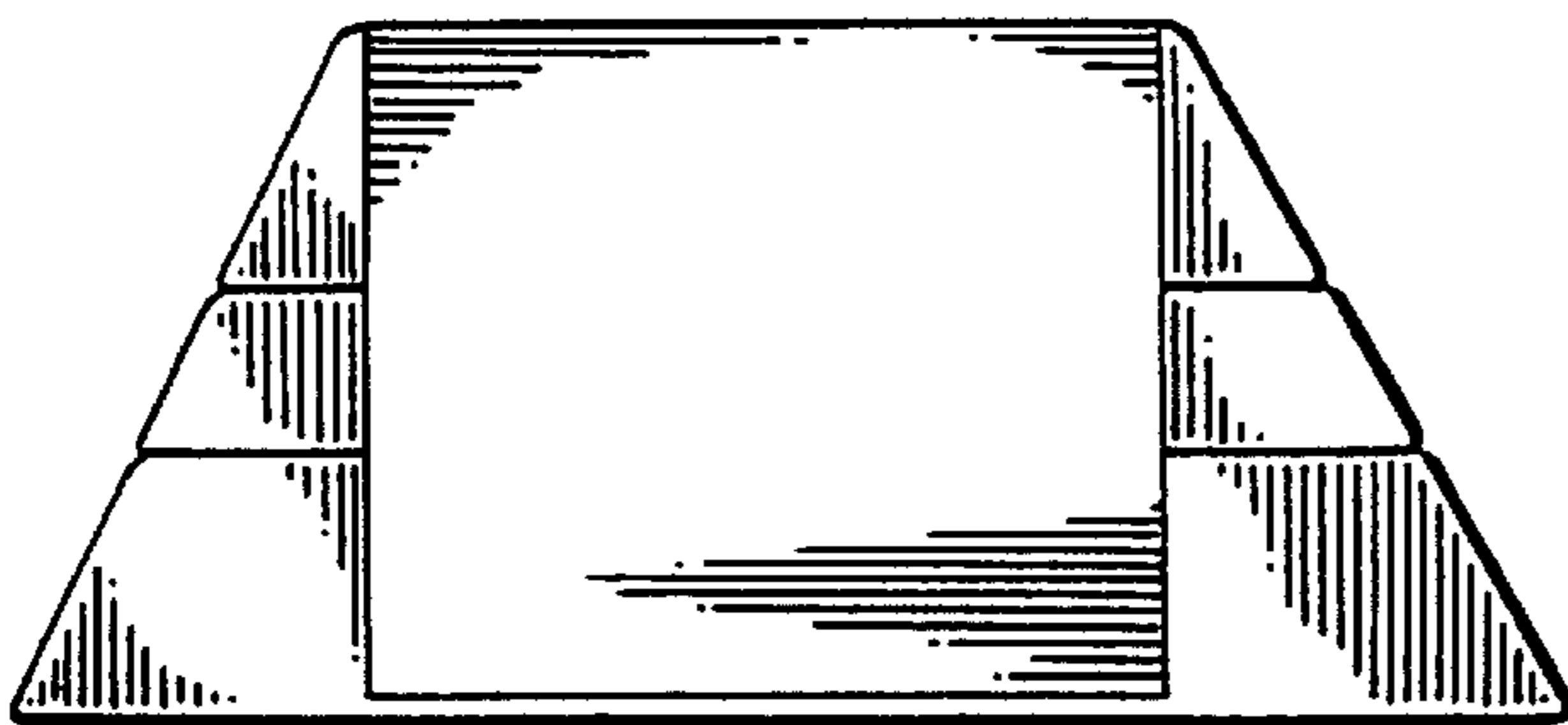


FIG. 7

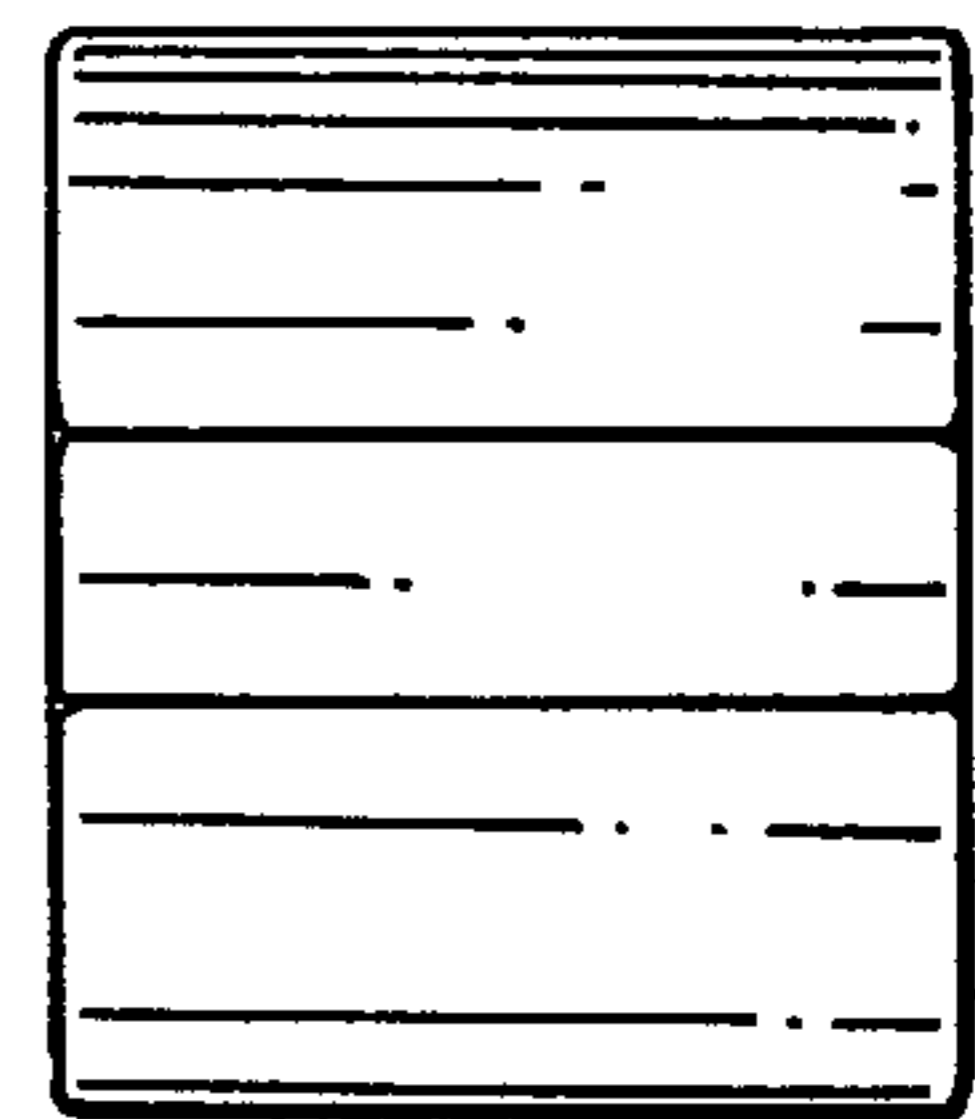


FIG. 8

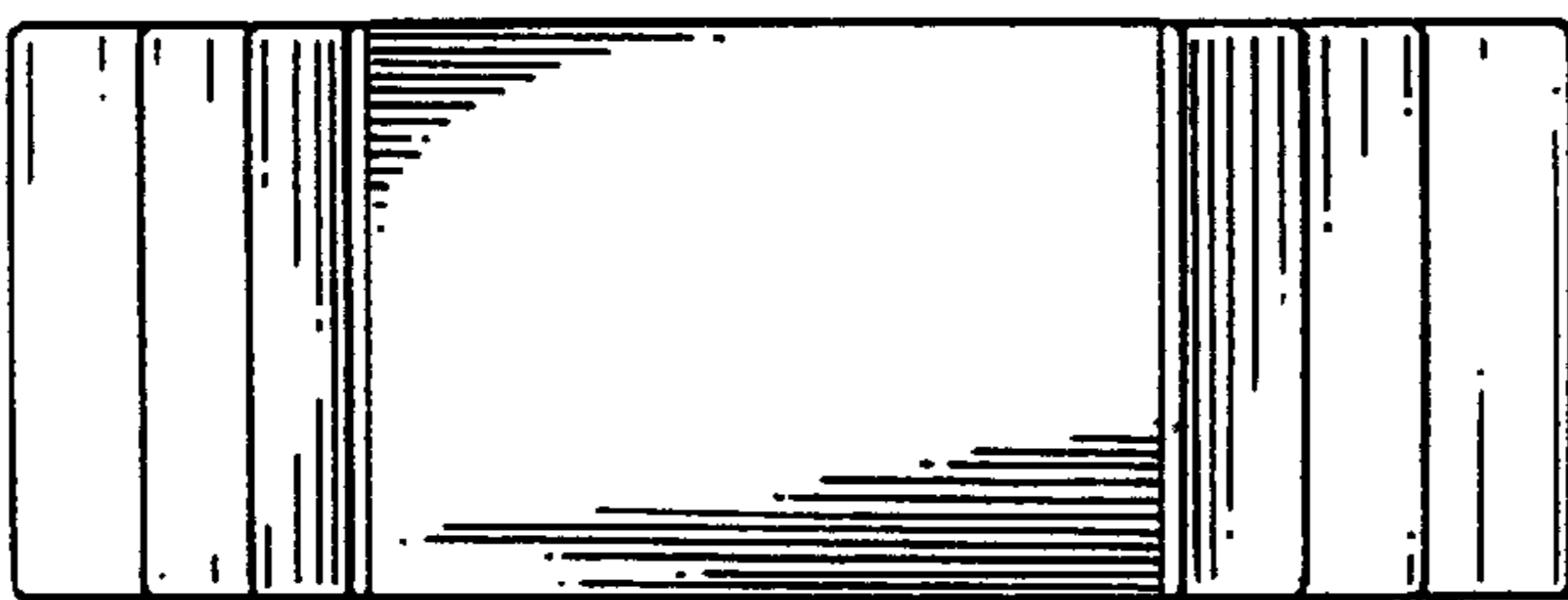


FIG. 9

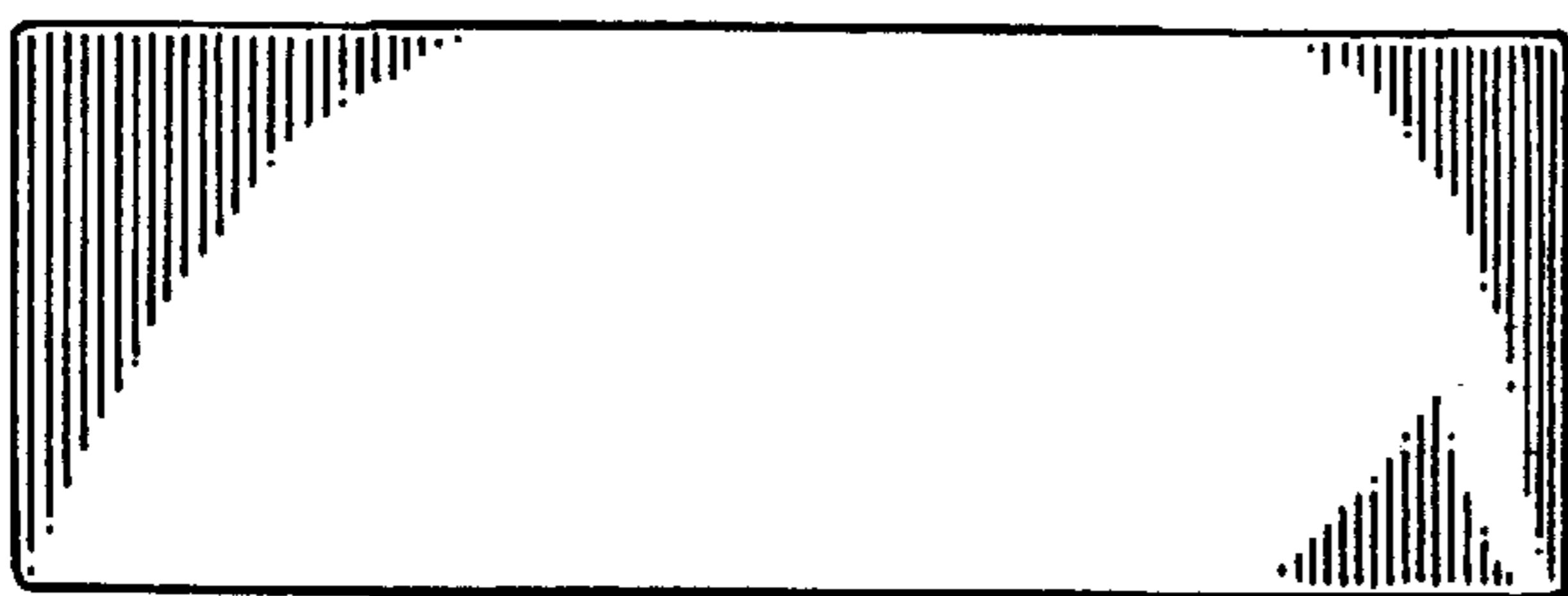


FIG. 10

UNITED STATES PATENT AND TRADEMARK OFFICE
CERTIFICATE OF CORRECTION

PATENT NO. : Des 425,787
DATED : May 30, 2000
INVENTOR(S) : David S. Kellar

Page 1 of 1

It is certified that error appears in the above-identified patent and that said Letters Patent is hereby corrected as shown below:

Drawings,

Figures 6-10 descriptions and figures 6-10 drawing views should be canceled.

Signed and Sealed this

Eleventh Day of December, 2001

Attest:

Nicholas P. Godici

Attesting Officer

NICHOLAS P. GODICI
Acting Director of the United States Patent and Trademark Office