



US00D425786S

United States Patent [19]

[11] Patent Number: Des. 425,786

Voller

[45] Date of Patent: ** May 30, 2000

[54] MULTI PLY REINFORCED DUNNAGE BAG AND VALVE THEREFOR

5,450,963	9/1995	Carson	206/524.8
5,544,752	8/1996	Cox	206/524.8
5,806,572	9/1998	Voller	141/10

[76] Inventor: **Ronald L. Voller**, 5 N. Maple Ct., Medinah, Ill. 60157

Primary Examiner—Cathron B. Matta
Attorney, Agent, or Firm—Robert A. Brown

[**] Term: **14 Years**

[57] CLAIM

[21] Appl. No.: **29/087,532**

The ornamental design for a multi ply reinforced dunnage bag and valve therefor, as shown and described.

[22] Filed: **May 4, 1998**

DESCRIPTION

[51] LOC (7) Cl. **09-05**

[52] U.S. Cl. **D9/305**

[58] Field of Search D9/305, 456; D24/129, D24/118; 141/10; 206/522, 524.8; 222/105, 107, 183, 464.1, 464.3; 383/3, 36, 43, 44; 410/119

FIG. 1 is a perspective view of a multi ply reinforced dunnage bag and valve therefor of indeterminate length, showing my new design;

FIG. 2 is a front side elevational view thereof;

FIG. 3 is a back side elevational view thereof;

FIG. 4 is an enlarged scale left side elevational view thereof broken in the center for ease of illustration;

FIG. 5 is an enlarged scale right side elevational view thereof broken in the center for ease of illustration;

FIG. 6 is an enlarged scale top side plan view thereof broken in the center for ease of illustration;

FIG. 7 is an enlarged scale bottom side view thereof broken in the center for ease of illustration;

FIG. 8 is a partial cut-off corner view thereof taken along the lines of 8—8 in FIG. 4 shown at a further enlarged scale; and,

FIG. 9 is a corner view thereof taken along the lines of 9—9 in FIG. 2 shown at a further enlarged scale.

[56] References Cited

U.S. PATENT DOCUMENTS

D. 303,714	9/1989	Manschot	D24/118
D. 341,157	11/1993	Kitahara et al.	D24/118
3,641,999	2/1972	Greene	222/107 X
3,730,240	5/1973	Presnick	383/3
3,762,404	10/1973	Sakita	206/524.8 X
4,073,389	2/1978	Angarola et al.	410/119
5,042,663	8/1991	Heinrich	410/119 X
5,111,838	5/1992	Langston	410/119 X
5,199,793	4/1993	Jackson	383/906 X
5,307,955	5/1994	Viegas	222/107
5,333,736	8/1994	Kawamura	206/524.8

1 Claim, 3 Drawing Sheets

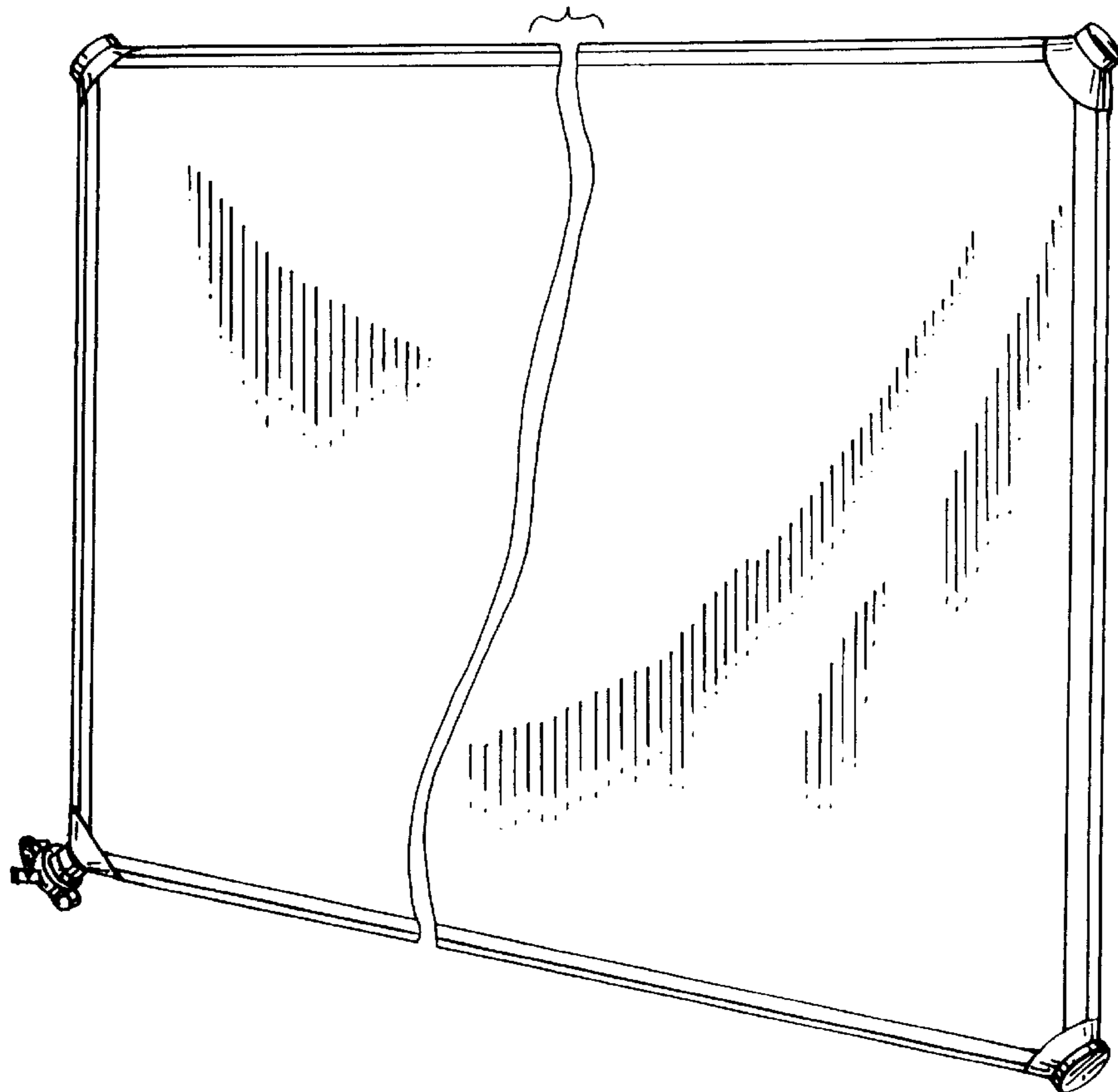


FIG. 1

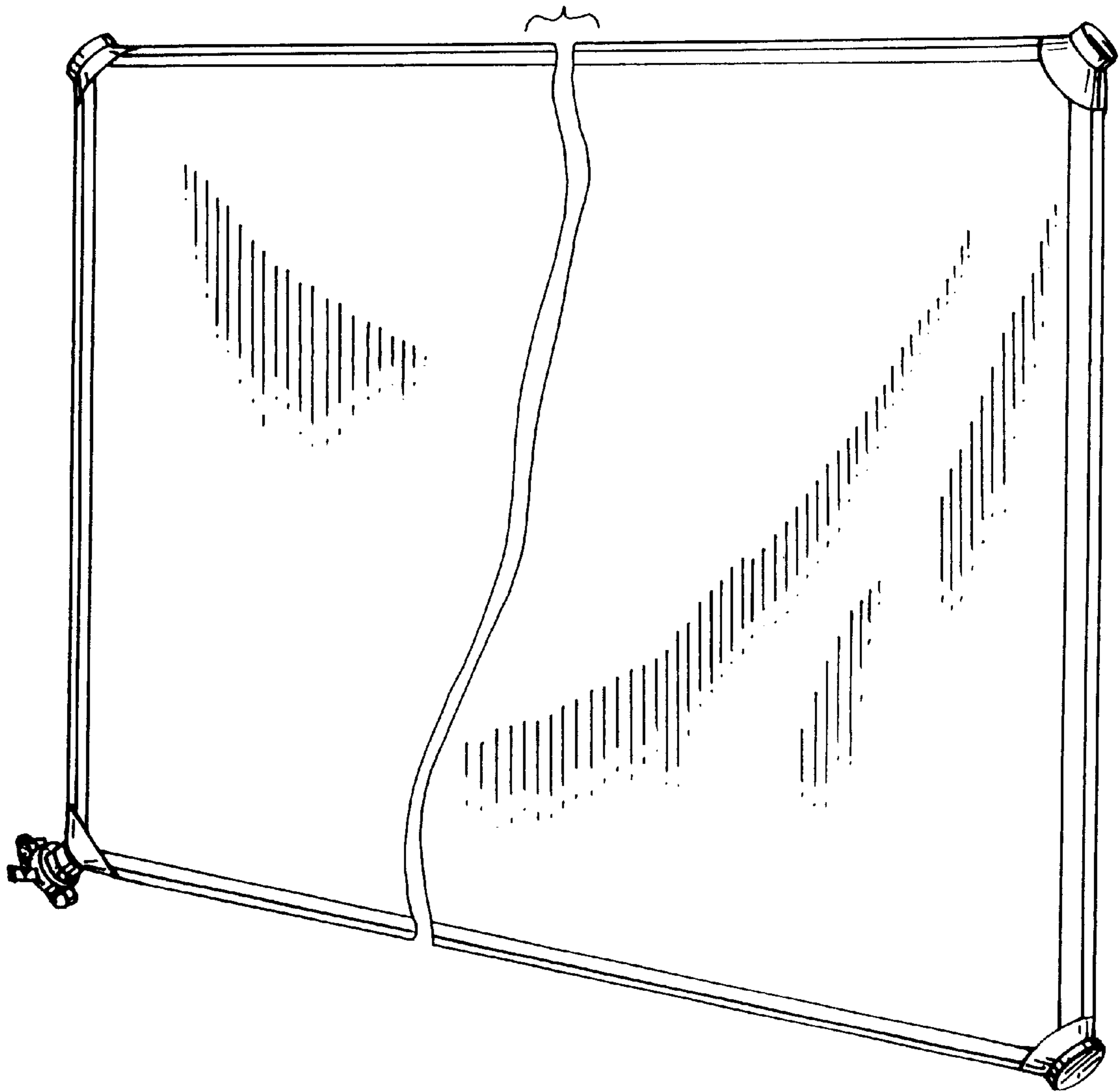


FIG. 2

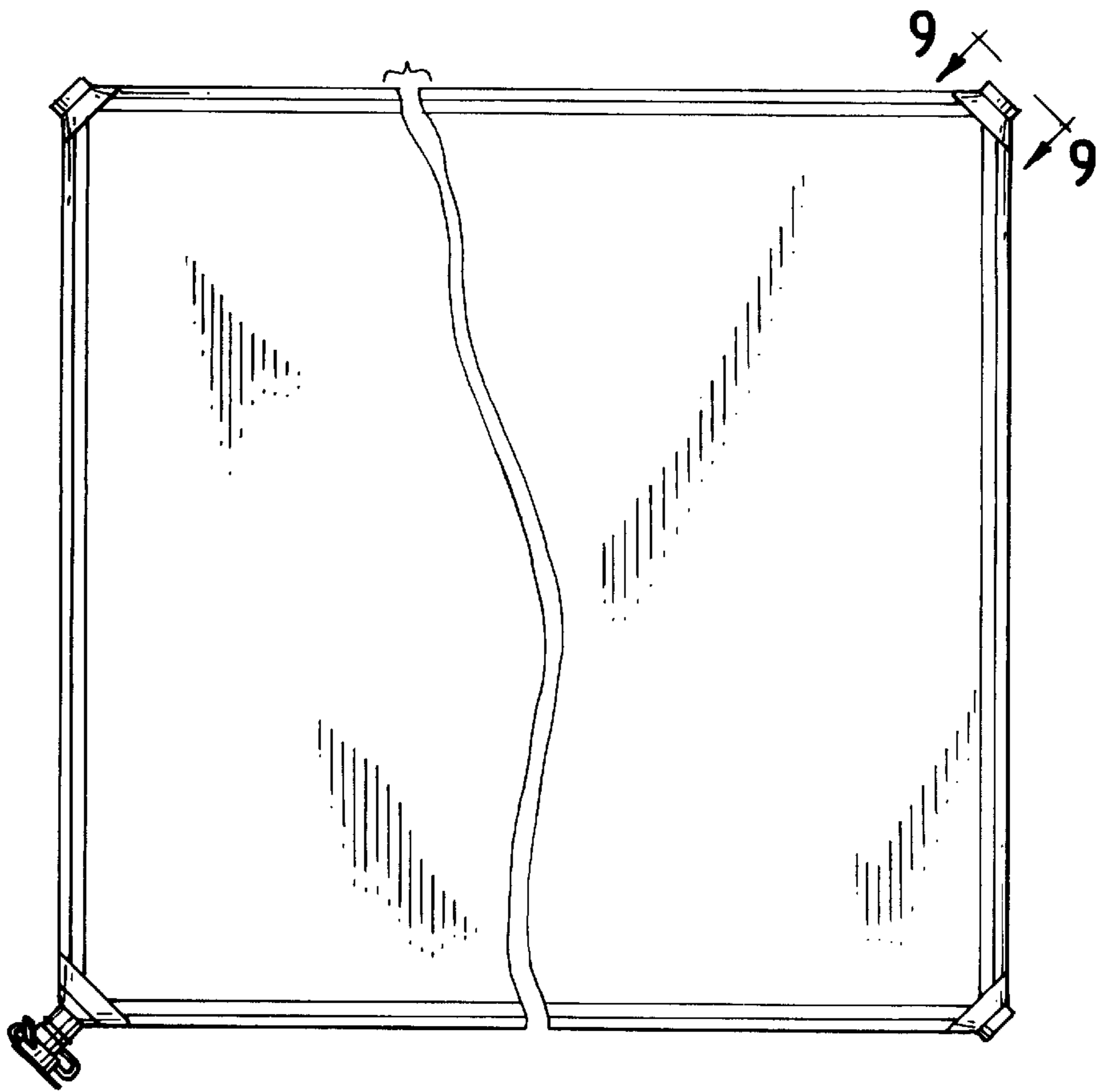


FIG. 3

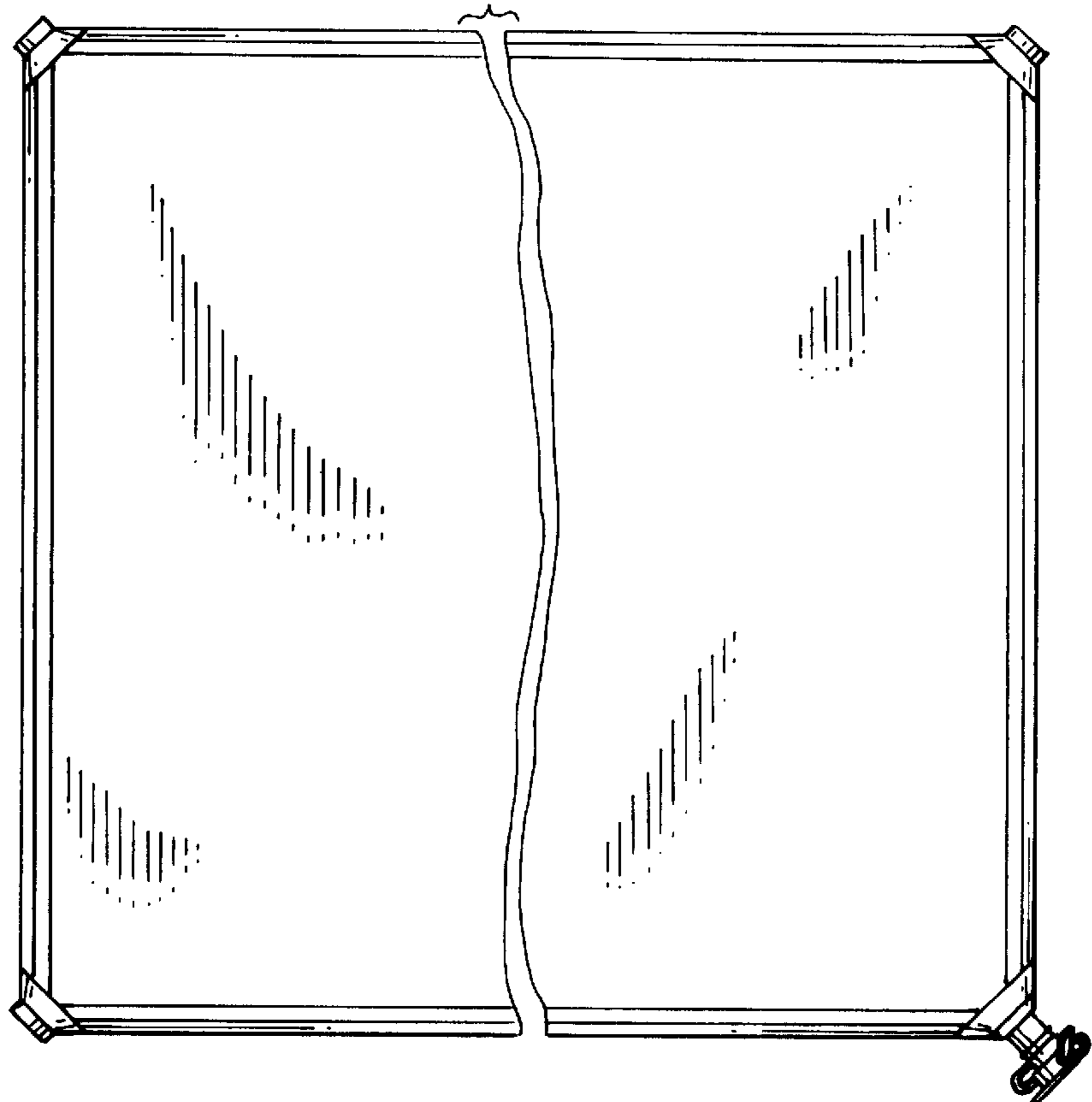


FIG. 4

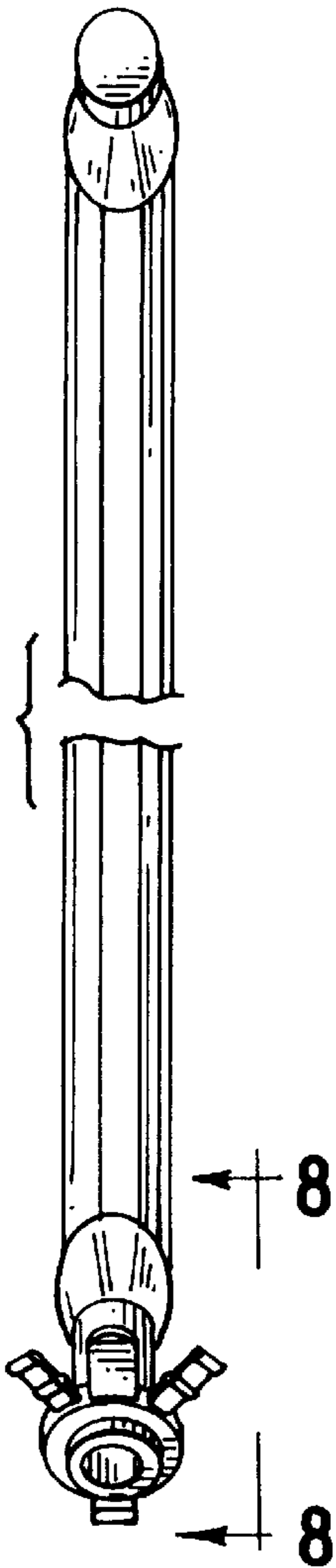


FIG. 5

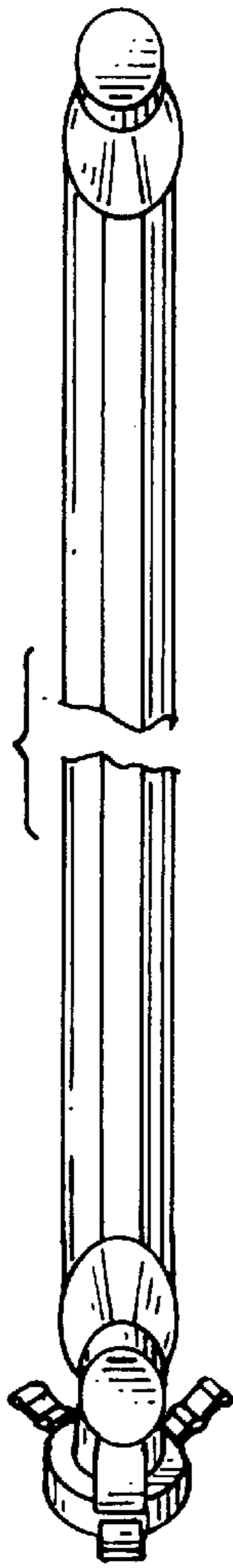


FIG. 8

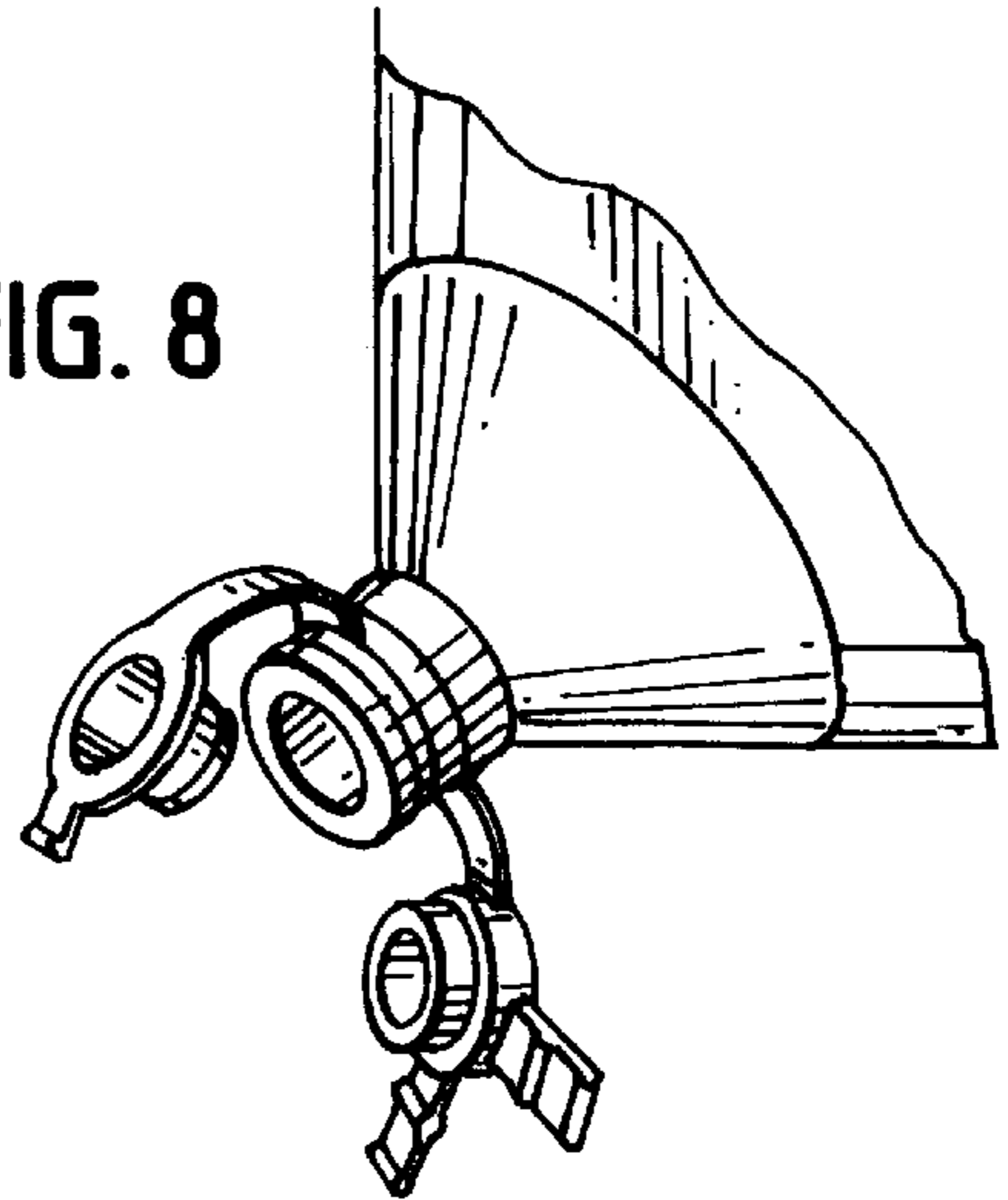


FIG. 9

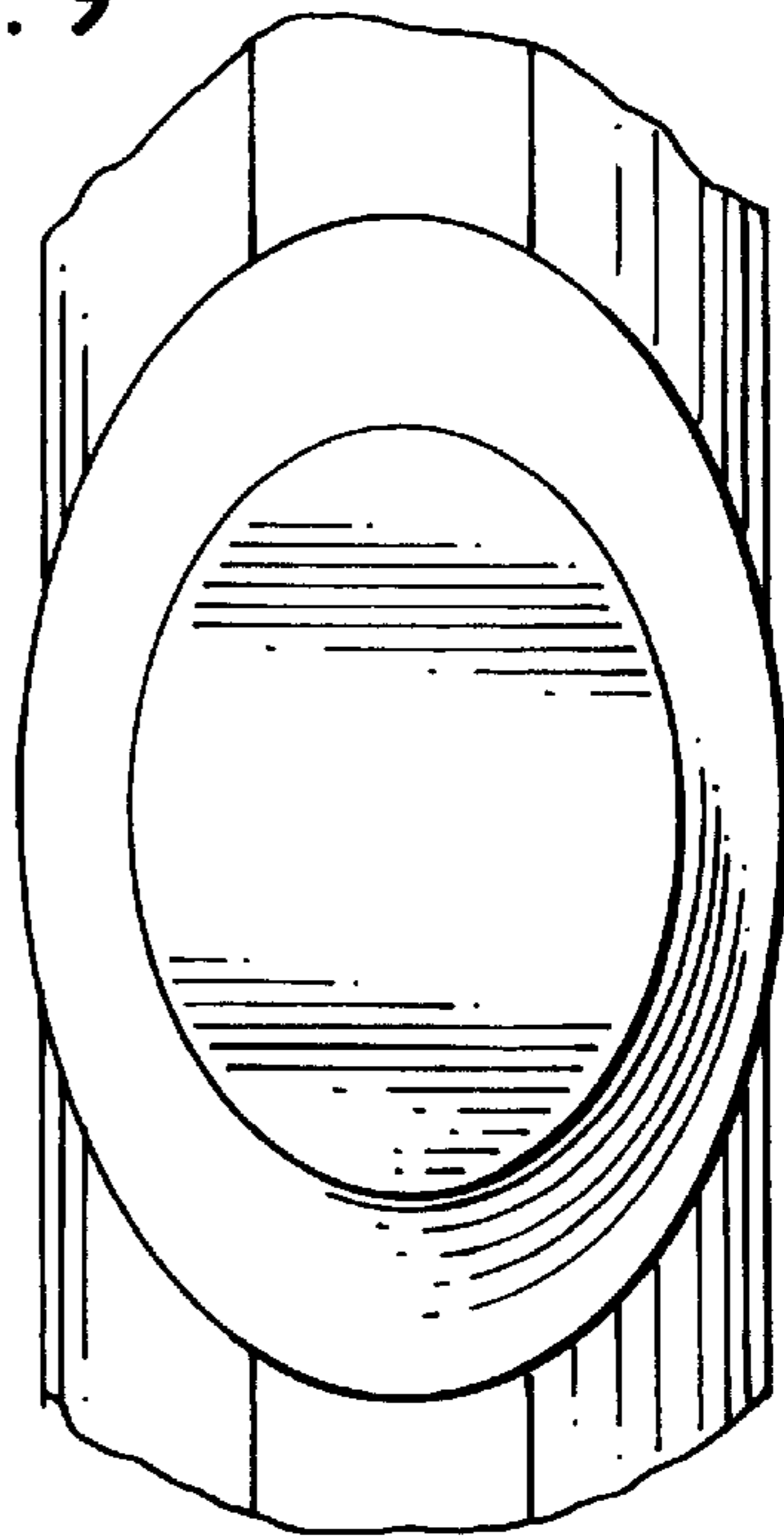


FIG. 6

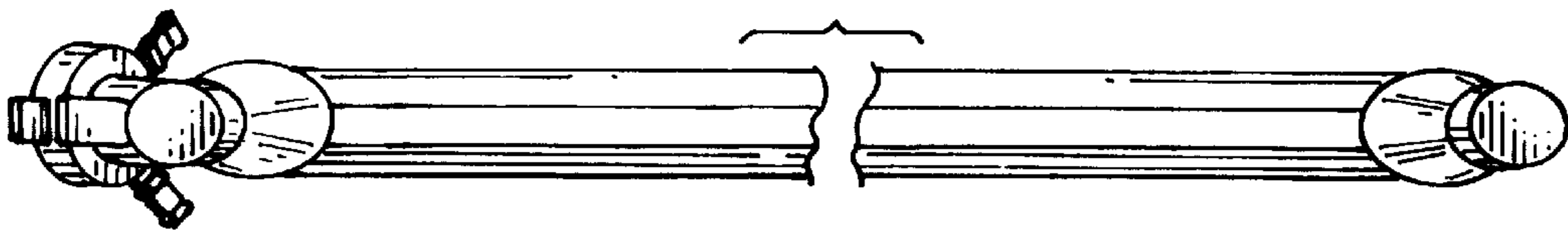


FIG. 7

