



US00D425782S

# United States Patent [19]

Sato et al.

[11] Patent Number: Des. 425,782

[45] Date of Patent: \*\* May 30, 2000

[54] FLEXIBLE JOINT

[75] Inventors: Taichi Sato, Nagaokakyo; Yasushi Fujita, Hyogo-ken, both of Japan

[73] Assignee: Waterworks Technology Development Organization Co., Ltd., Osaka, Japan

[\*\*] Term: 14 Years

[21] Appl. No.: 29/111,718

[22] Filed: Oct. 1, 1999

[51] LOC (7) Cl. .... 08-08

[52] U.S. Cl. .... D8/382

[58] Field of Search ..... D8/382; 403/169-170, 403/173-174, 205, 312, 177-178, 300, 305-306

[56] **References Cited**

U.S. PATENT DOCUMENTS

3,476,413 11/1969 Coberly et al. .... 403/300

4,756,639 7/1988 Hoshino ..... 403/297  
4,906,122 3/1990 Barrett et al. .... 403/305  
5,052,849 10/1991 Zwart ..... 403/300  
5,375,939 12/1994 Brown et al. .... 403/300

Primary Examiner—Holly Baynham  
Attorney, Agent, or Firm—Knobbe, Martens, Olson & Bear, LLP

[57] **CLAIM**

The ornamental design for a flexible joint, as shown and described.

**DESCRIPTION**

FIG. 1 is a front view of a flexible joint.  
FIG. 2 is a rear view of the flexible joint.  
FIG. 3 is a top plan view of the flexible joint.  
FIG. 4 is a bottom plan view of the flexible joint.  
FIG. 5 is a left side view of the flexible joint.  
FIG. 6 is a right side view of the flexible joint; and,  
FIG. 7 is a perspective view of the flexible joint.

1 Claim, 3 Drawing Sheets

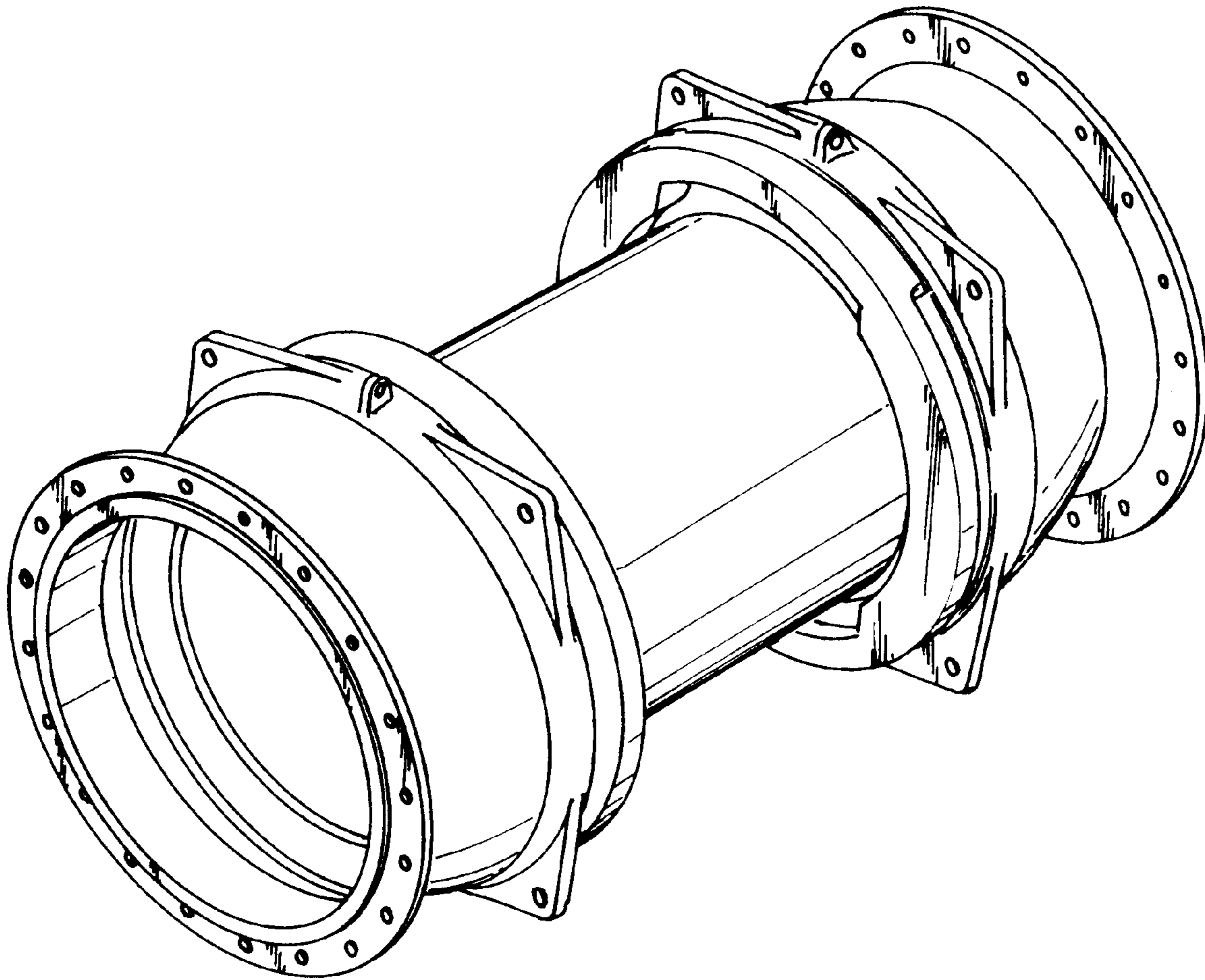


FIG.1

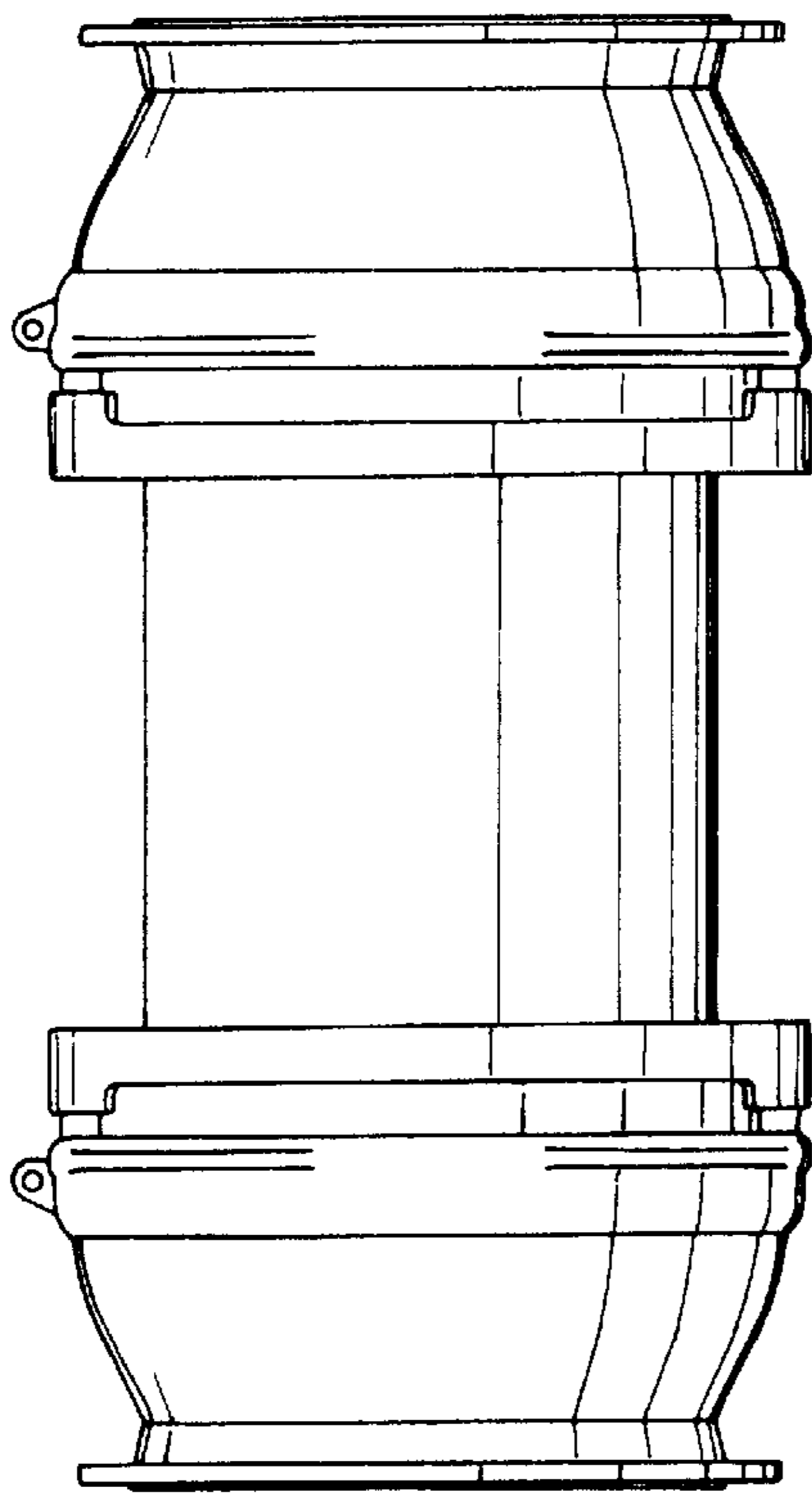


FIG.2

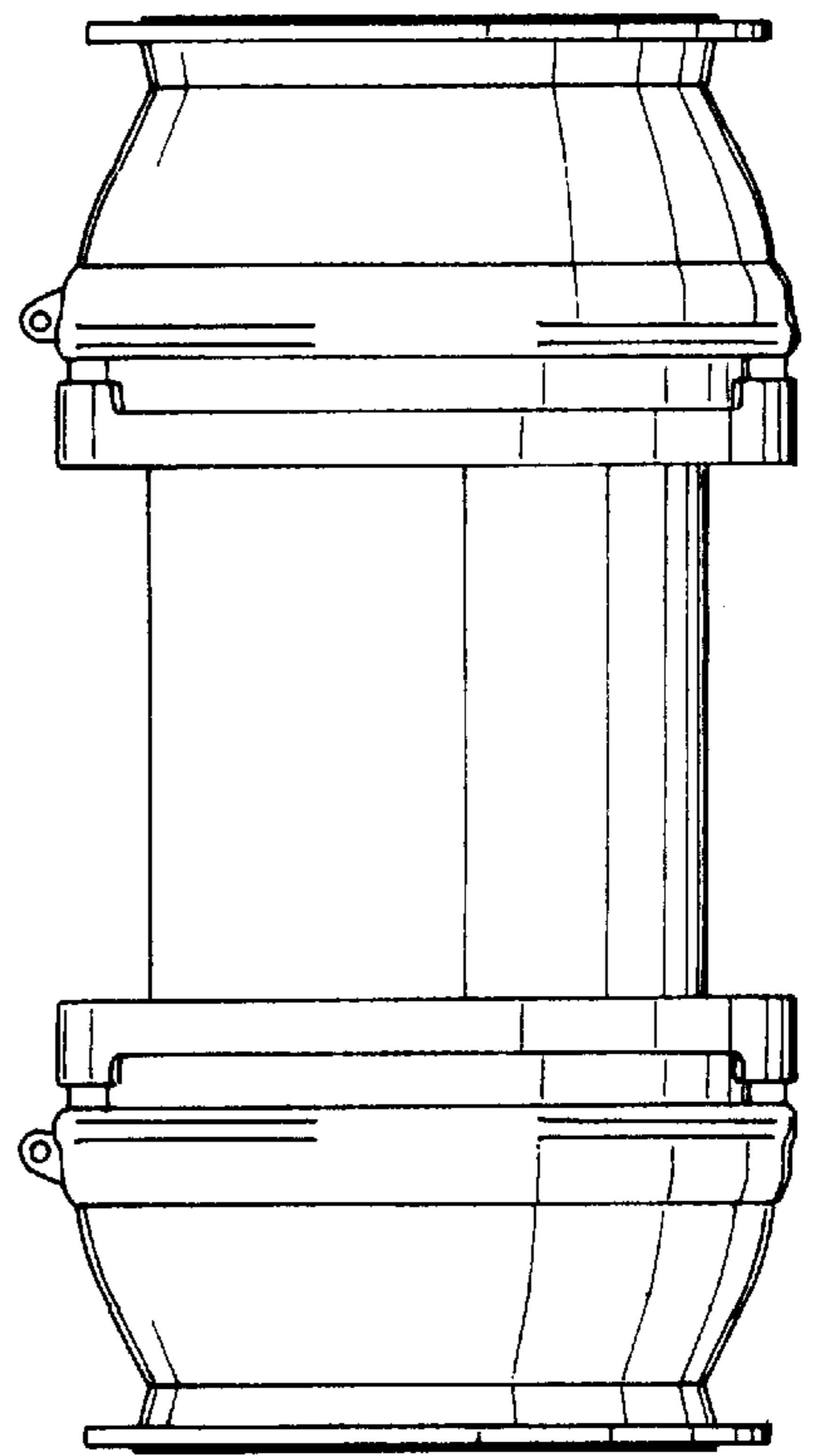


FIG. 3

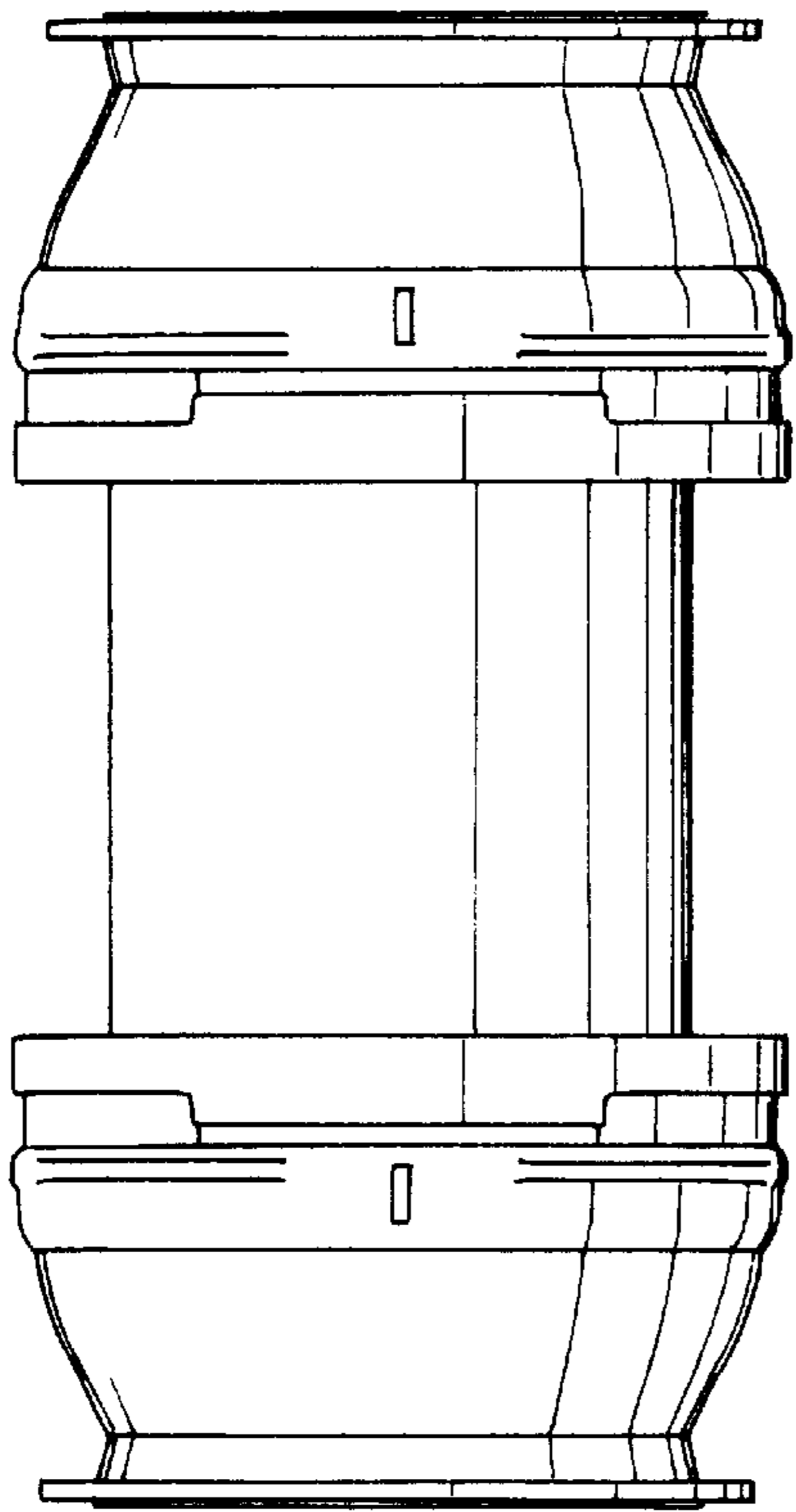
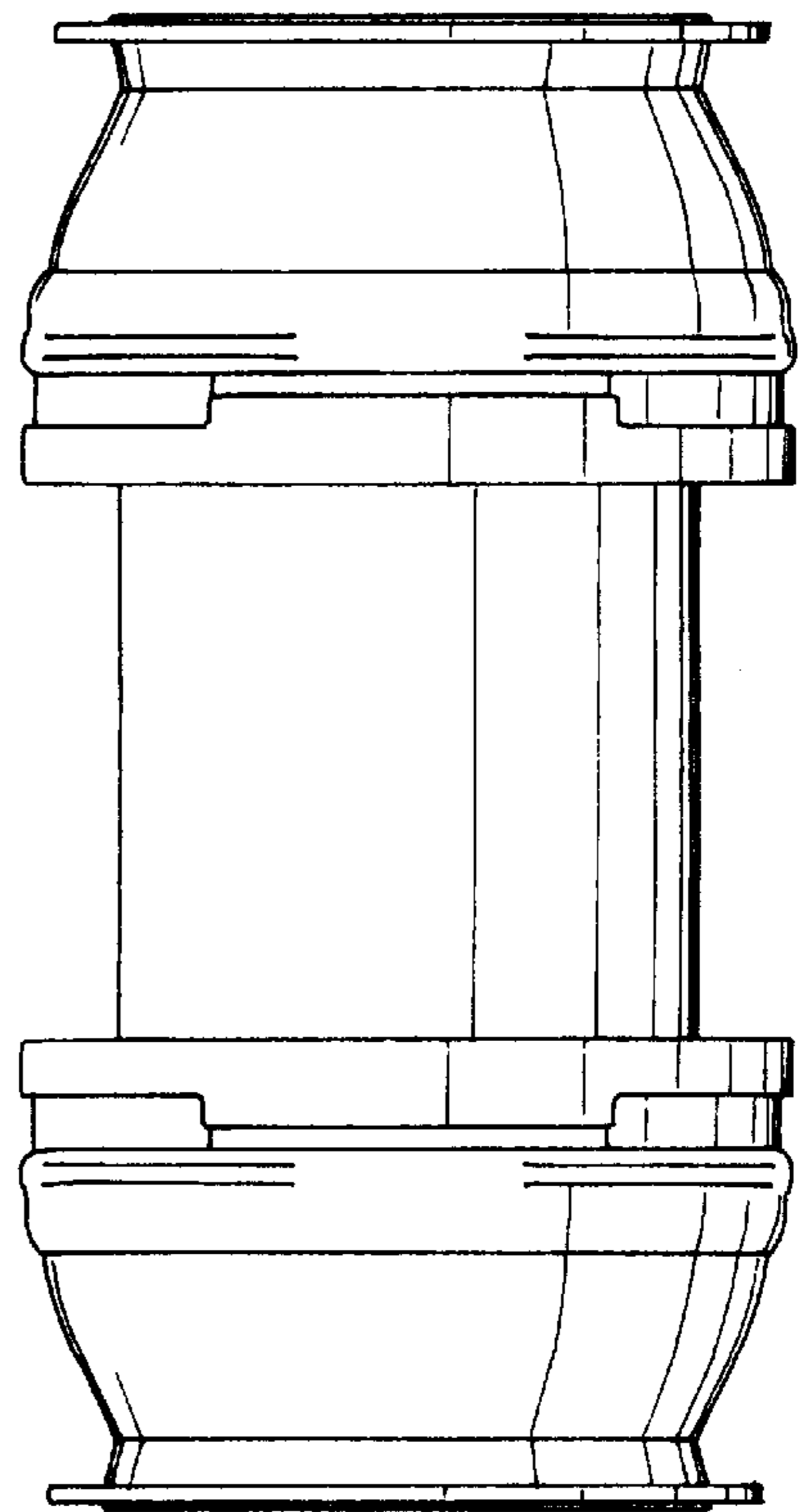


FIG. 4



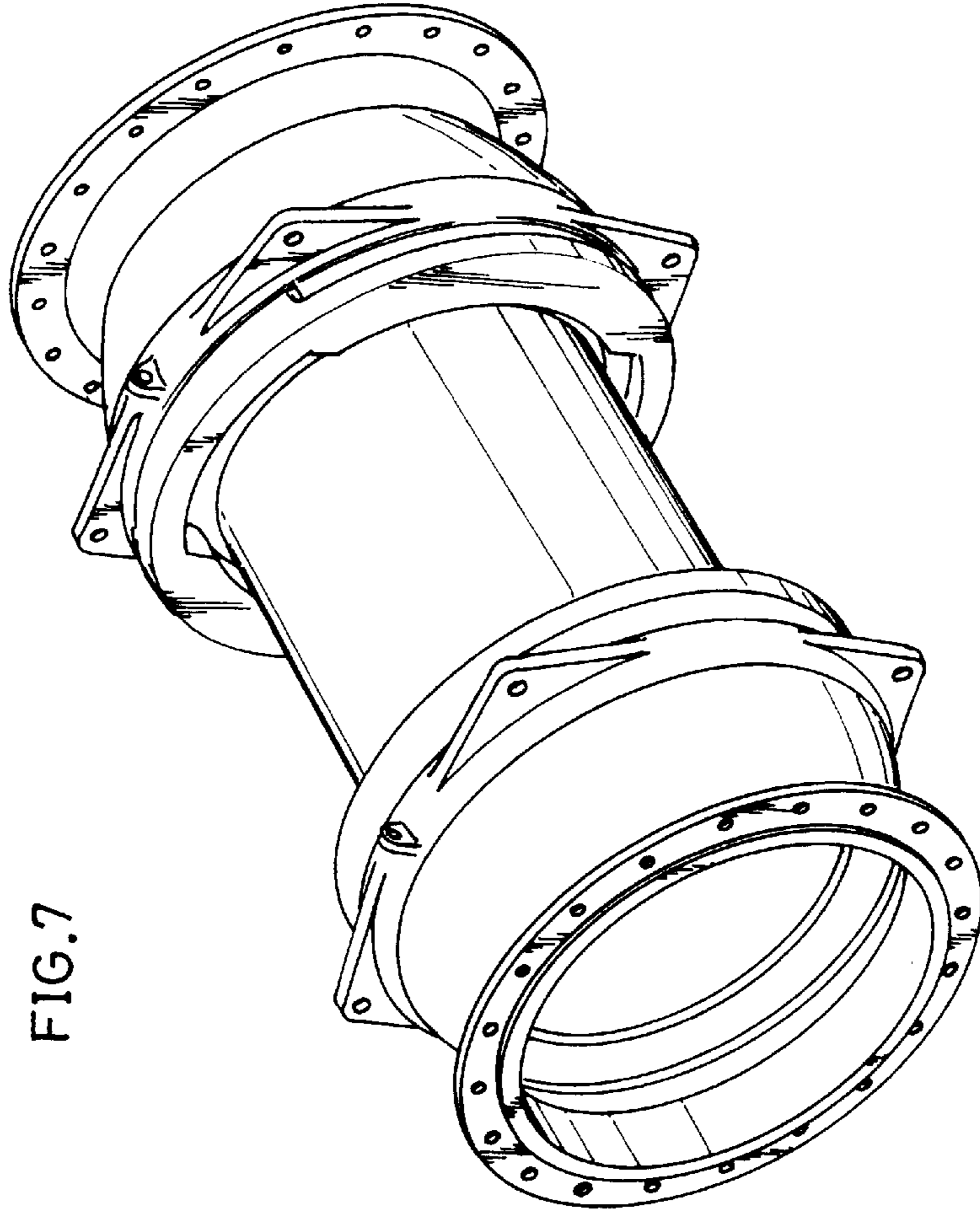


FIG. 7

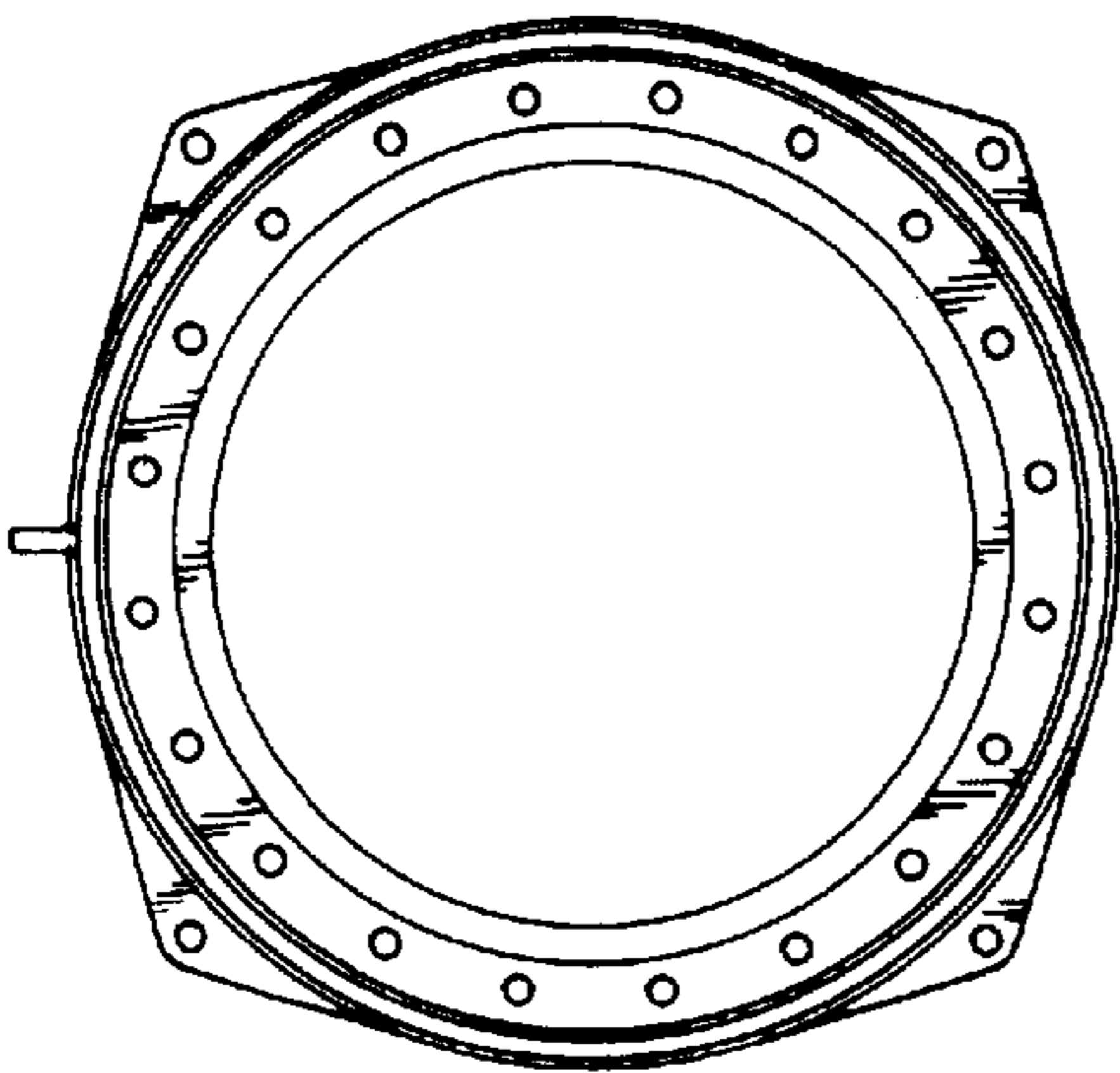


FIG. 5

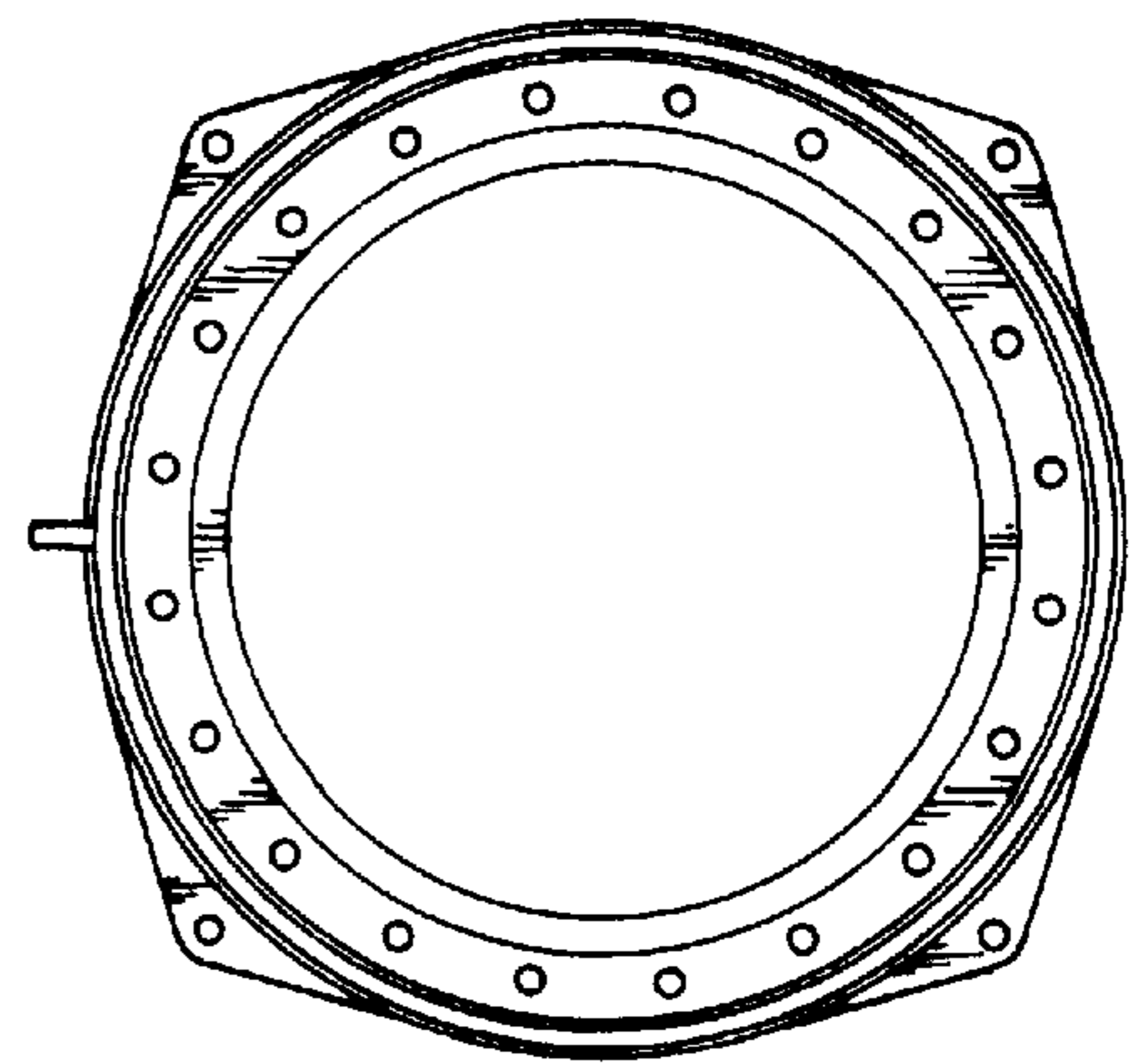


FIG. 6