



US00D425781S

United States Patent [19] Hopper

[11] Patent Number: **Des. 425,781**

[45] Date of Patent: **** May 30, 2000**

[54] **DOUBLE HOOK DEVICE FOR SUPPORTING GOLF TOWELS**

[75] Inventor: **Robert H. Hopper**, La Canada, Calif.

[73] Assignee: **Sir Christopher Hatton, Inc.**, Altadena, Calif.

[**] Term: **14 Years**

[21] Appl. No.: **29/106,545**

[22] Filed: **Jun. 16, 1999**

[51] **LOC (7) Cl.** **08-08**

[52] **U.S. Cl.** **D8/382**

[58] **Field of Search** 24/374, 573.3, 24/600.7; D8/395, 394, 333, 382, 367, 372, 341, 342, 330, 339, 343, 344; D11/87, 216

[56] **References Cited**

U.S. PATENT DOCUMENTS

Re. 31,096	12/1982	Johnston	24/374
257,721	5/1882	Kempshall	.	
D. 267,230	12/1982	LaViolette et al.	D8/382
D. 289,739	5/1987	Froidevaux et al.	D8/395
D. 347,158	5/1994	Shen	D8/333
D. 365,978	1/1996	Rekuc et al.	D8/382
D. 399,726	10/1998	Tsai	D8/367
505,281	9/1893	Smith	.	
974,950	11/1910	Carter	.	

3,567,267	3/1971	Lechner	294/78
4,004,315	1/1977	Rials	15/209 R
4,689,860	9/1987	Suchowski	24/600.7
4,953,603	9/1990	Holden	150/154
5,099,897	3/1992	Curtin	150/159
5,147,703	9/1992	Provost et al.	428/82
5,407,723	4/1995	Curtin	428/124
5,419,477	5/1995	Verge	224/274
5,450,954	9/1995	Dunn	206/315.5
5,586,674	12/1996	Nachbauer	206/315.4
5,590,773	1/1997	Robinett	206/315.1
5,647,568	7/1997	Nettles	248/316.2
5,671,515	9/1997	Evans	24/615

Primary Examiner—Joel Sincavage
Assistant Examiner—Reid Hecker
Attorney, Agent, or Firm—Christie, Parker & Hale, LLP

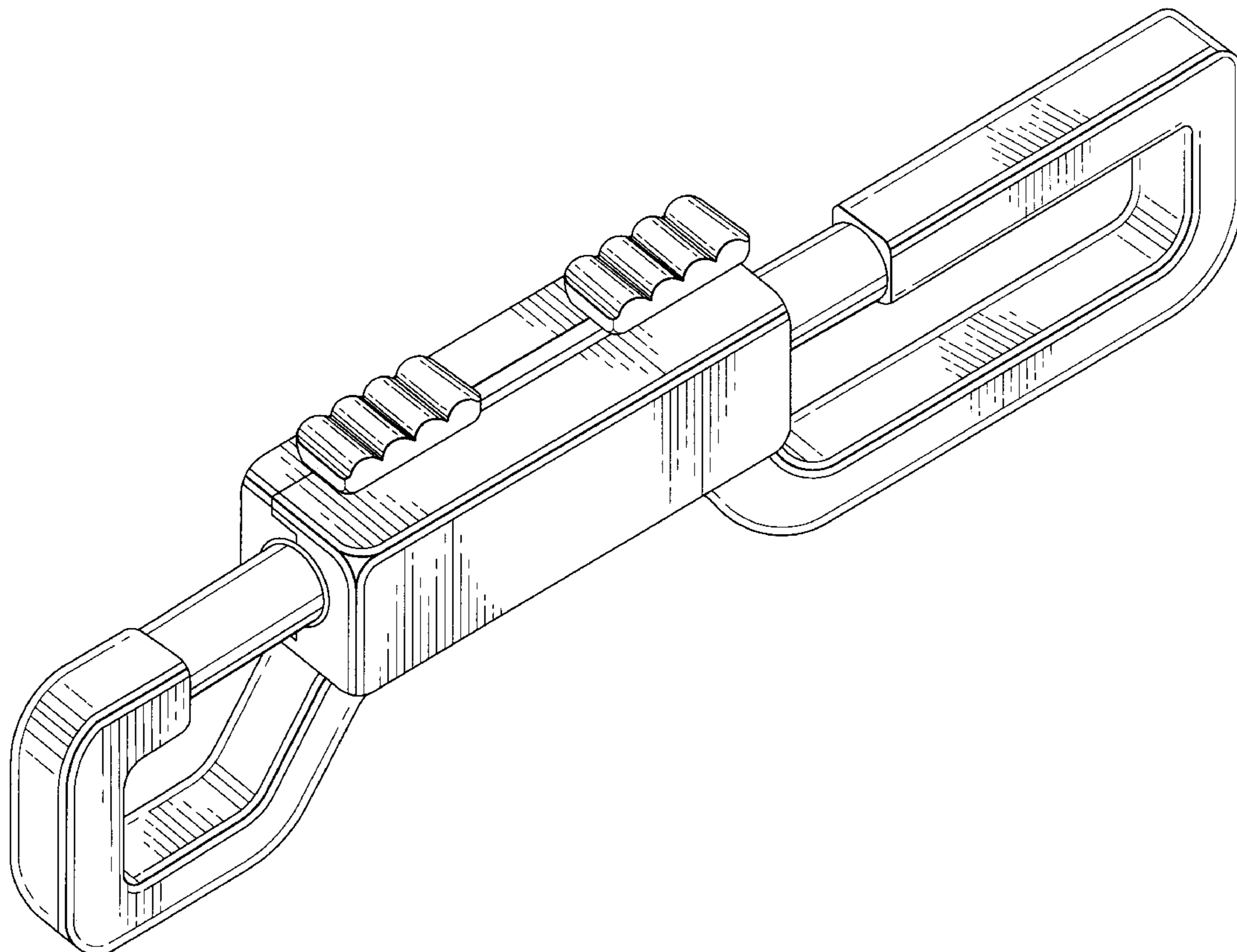
[57] **CLAIM**

The ornamental design for double hook device for supporting golf towels, as shown and described.

DESCRIPTION

FIG. 1 is a perspective view of the double hook device showing my new design;
FIG. 2 is a top view thereof;
FIG. 3 is a plan view thereof;
FIG. 4 is a bottom view thereof;
FIG. 5 is an end view thereof; and,
FIG. 6 is an end view thereof taken from the opposite end from FIG. 5.

1 Claim, 2 Drawing Sheets



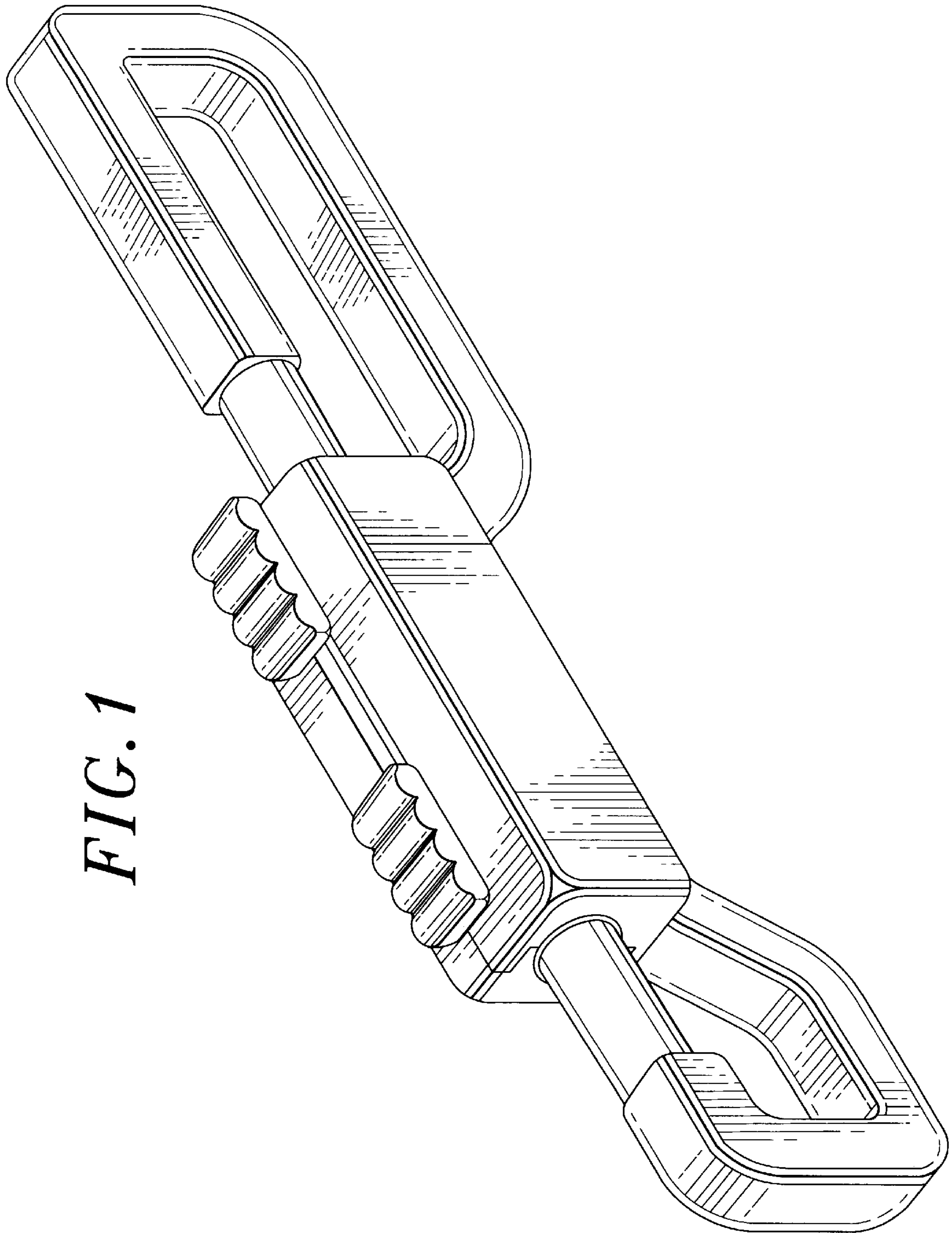


FIG. 1

FIG. 2

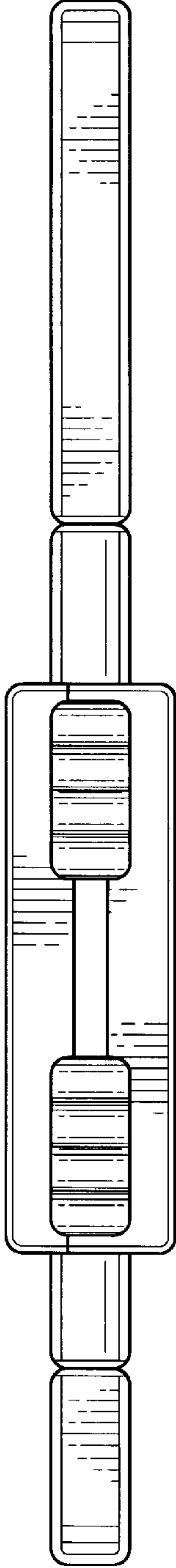


FIG. 3

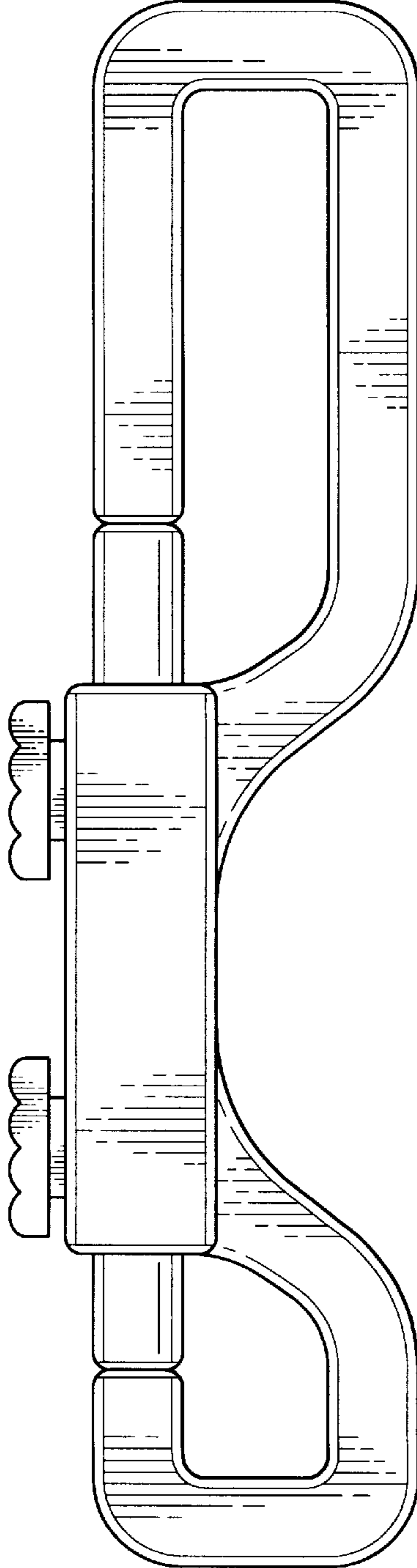


FIG. 5

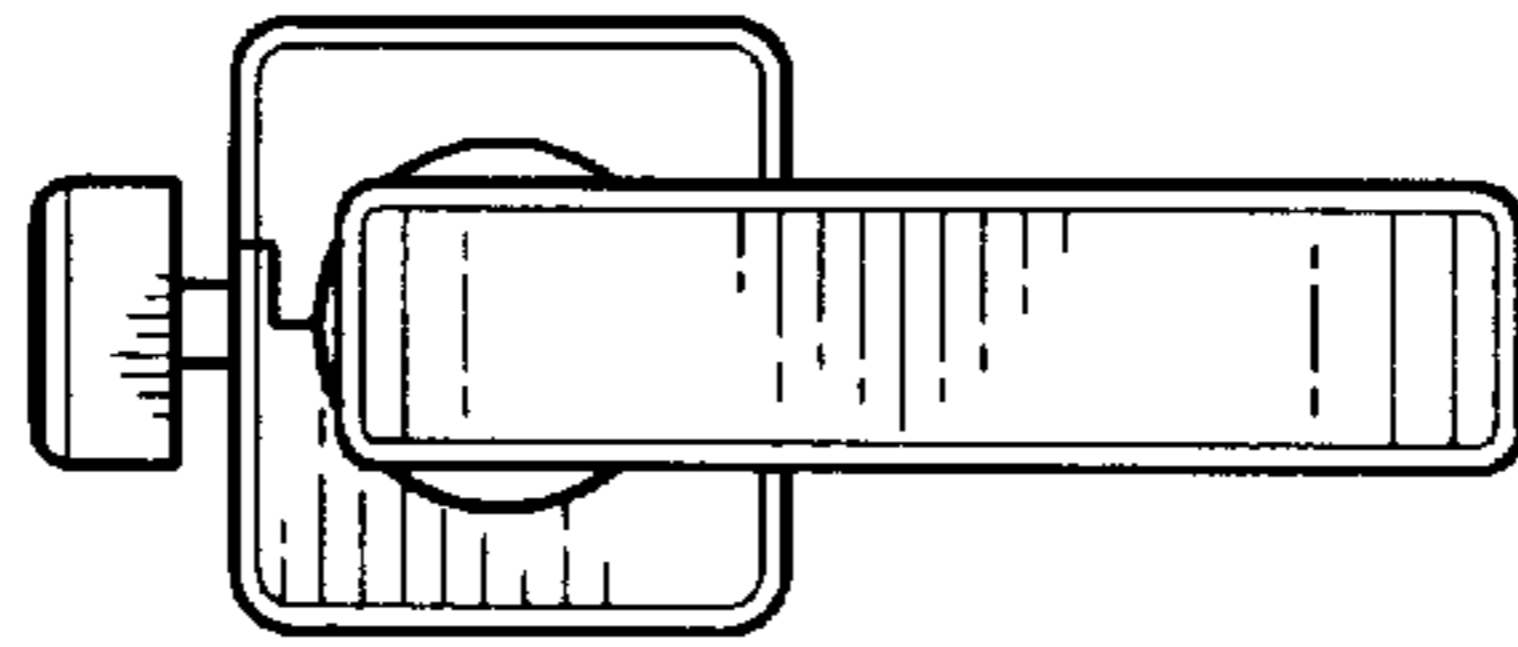


FIG. 6

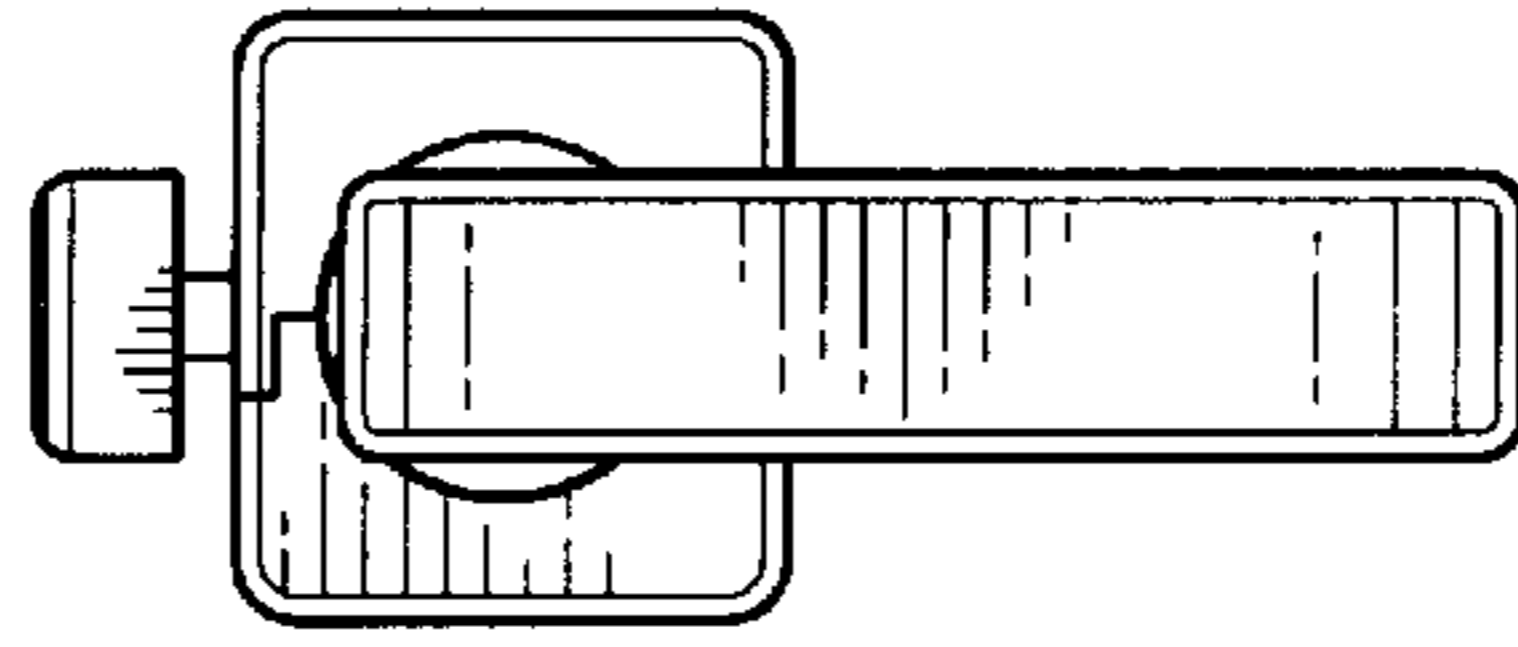


FIG. 4

