



US00D425775S

United States Patent [19]

Schlack et al.

[11] Patent Number: Des. 425,775

[45] Date of Patent: ** May 30, 2000

[54] LATCH HOUSING WITH HANDLE OF LATCH ACTUATOR

[75] Inventors: Richard E. Schlack, Rising Sun, Md.; Richard M. Plummer, Kennett Square, Pa.

[73] Assignee: Southco, Inc., Concordville, Pa.

[**] Term: 14 Years

[21] Appl. No.: 29/107,855

[22] Filed: Jul. 14, 1999

Related U.S. Application Data

[60] Division of application No. 29/096,446, Nov. 13, 1998, which is a continuation-in-part of application No. 29/088,743, Jun. 1, 1998.

[51] LOC (7) Cl. 08-07

[52] U.S. Cl. D8/331; D8/338

[58] Field of Search 70/208, 210, 215, 70/224; D8/330, 331, 338, 339, 341, 342; 292/229, DIG. 10, DIG. 31

[56] References Cited

U.S. PATENT DOCUMENTS

- D. 343,782 2/1994 Gromotka .
- D. 391,139 2/1998 Gilliam .
- D. 396,397 7/1998 Swan .
- 1,868,580 7/1932 McKinney .
- 3,590,609 7/1971 Atkinson .
- 4,693,503 9/1987 Bisbing .
- 4,880,261 11/1989 Bisbing .
- 5,064,228 11/1991 Bisbing .
- 5,201,557 4/1993 Schlack .
- 5,267,762 12/1993 Gromotka .

- 5,347,834 9/1994 Ramsauer .
- 5,375,894 12/1994 Schlack .
- 5,409,272 4/1995 McCormack .
- 5,450,735 9/1995 Esaki et al. .
- 5,469,725 11/1995 Yamada .
- 5,609,373 3/1997 Gromotka .
- 5,722,269 3/1998 Simon et al. .

OTHER PUBLICATIONS

Southco Fasteners Handbook 48 (Southco, Inc., Pennsylvania, 1997) Compression Latches, pp. E-21-E-24 and Panel Latches, pp. F-4 and F-5.

Primary Examiner—Susan J. Lucas
Assistant Examiner—Jennifer Rivard
Attorney, Agent, or Firm—Paul & Paul

[57] CLAIM

The ornamental design for a latch housing with handle of a latch actuator, as shown and described.

DESCRIPTION

FIG. 1 is a perspective view of a portion of a latch housing with handle of an embodiment of a latch actuator embodying our new design;

FIG. 2 is a top plan view thereof;

FIG. 3 is front elevational view thereof;

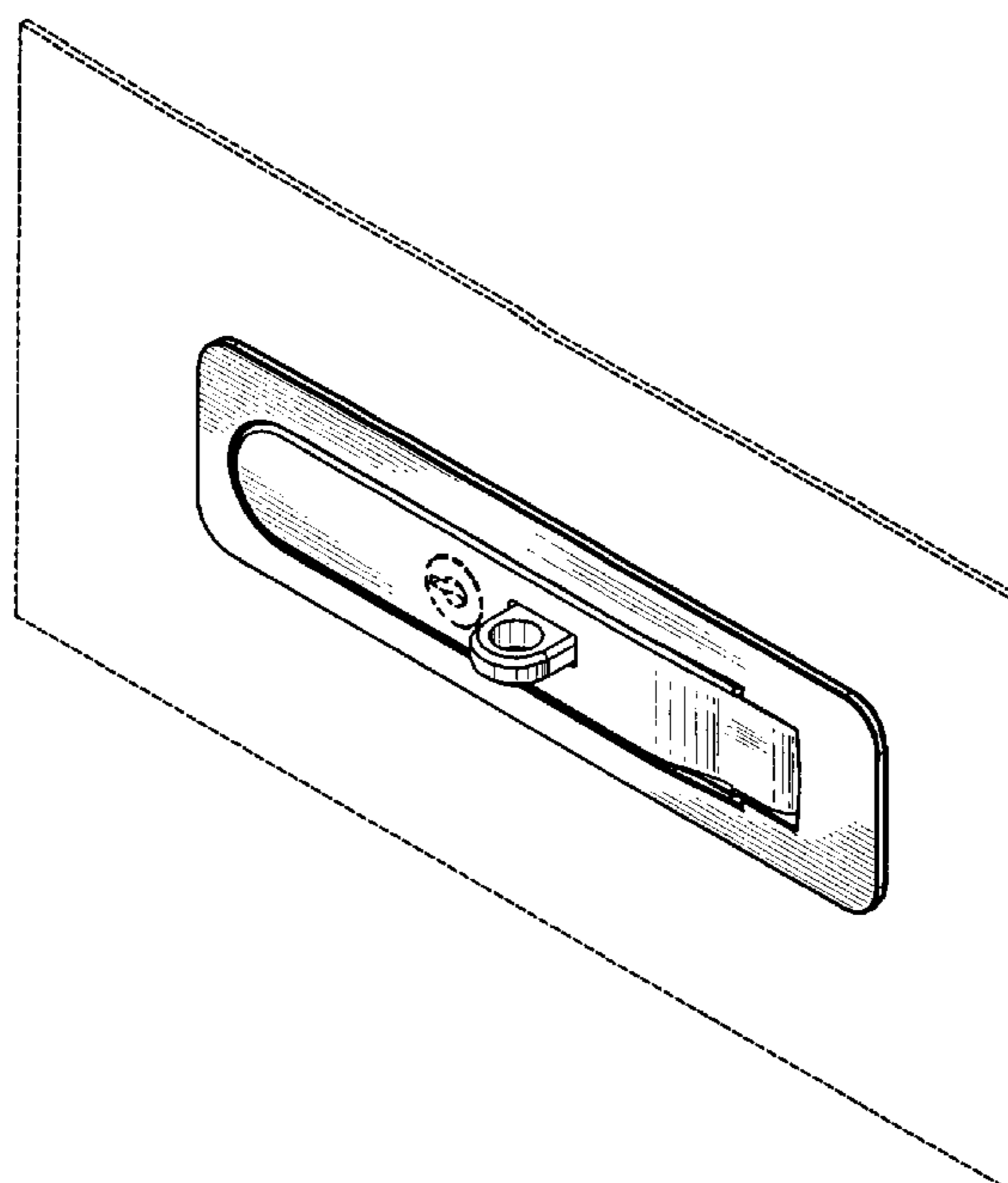
FIG. 4 is a left side elevational view thereof;

FIG. 5 is a right side elevational view thereof; and,

FIG. 6 is a bottom plan view thereof.

The broken lines showing a panel in which a portion of a latch housing with handle of a latch actuator is mounted and showing an opening with lock plug mounted in a handle are for illustrative purposes only and form no part of the claimed design.

1 Claim, 1 Drawing Sheet



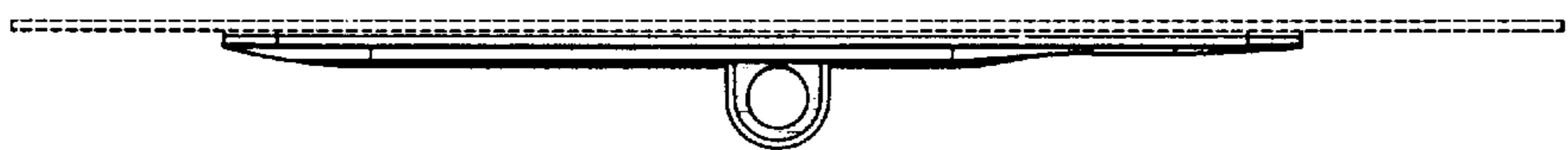
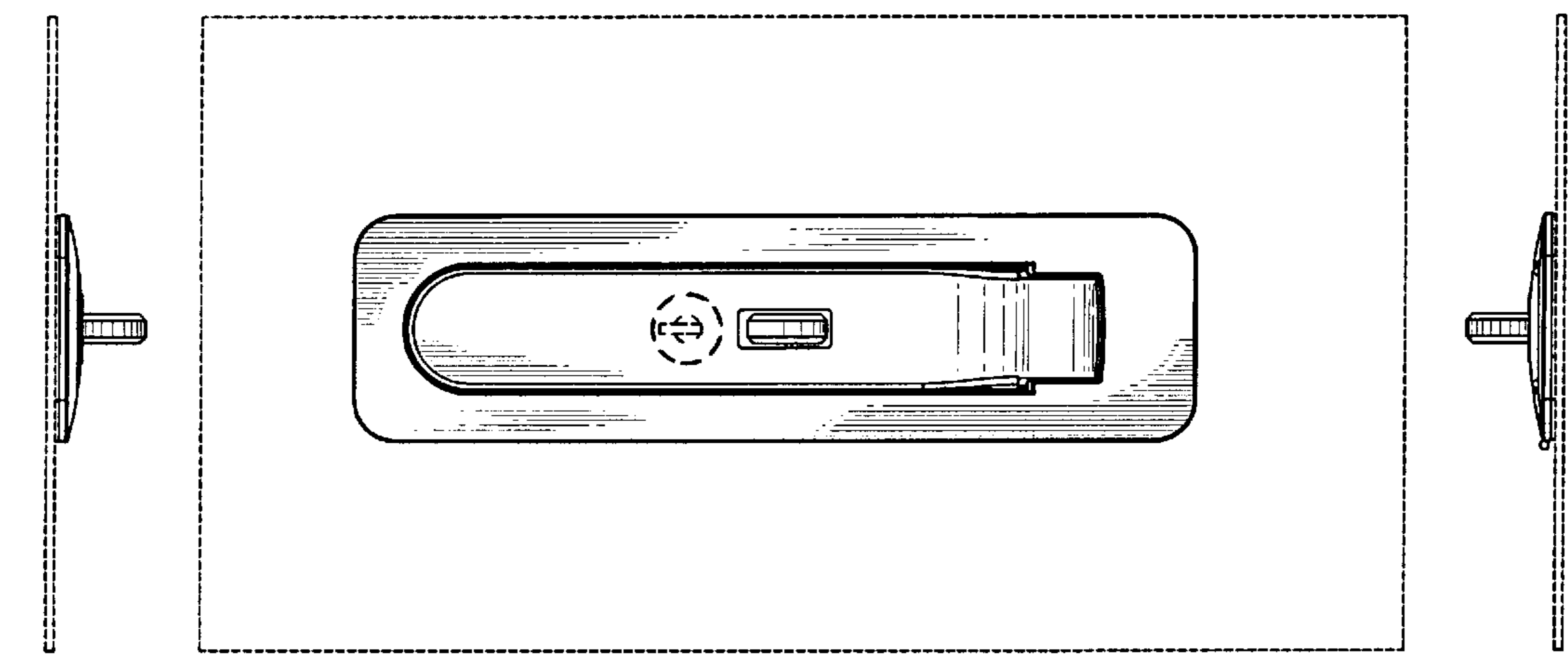
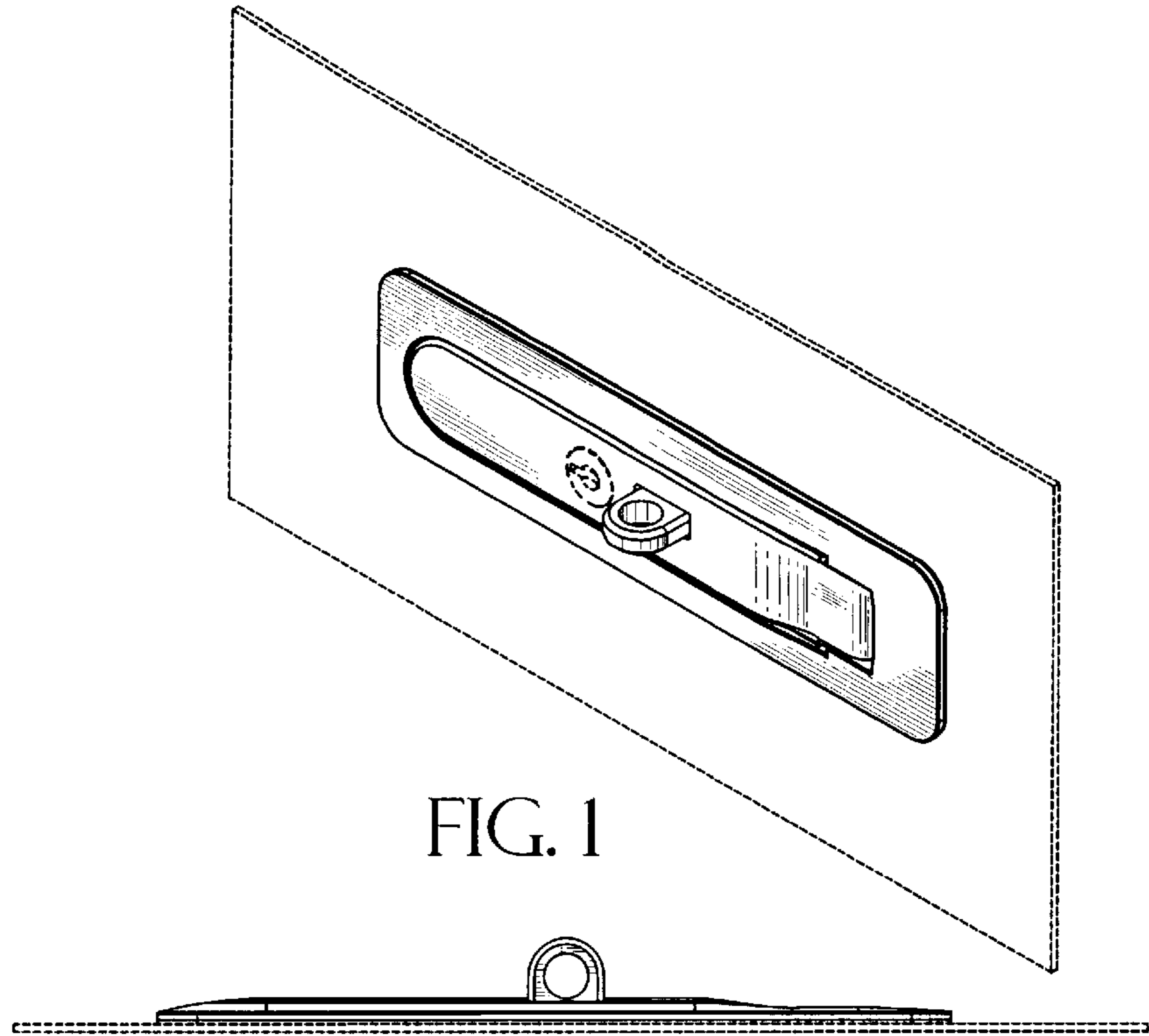


FIG. 6