



US00D425771S

# United States Patent [19]

Dearing et al.

[11] Patent Number: **Des. 425,771**

[45] Date of Patent: **\*\* May 30, 2000**

[54] **BOARD CLAMP**

4,165,869	8/1979	Williams	.....	269/41
4,264,063	4/1981	Halula	.....	269/41
5,673,903	10/1997	Lewis	.....	269/41

[76] Inventors: **James C. Dearing**, 325 Willie D. Dr., Jefferson City, Tenn. 37760; **James L. Dearing**, 5640 Dearing Rd., Talbott, Tenn. 37877; **Kenny Dwaine Brooks**, 1850 Seven Oaks Dr., Morristown, Tenn. 37814; **Darrel D. Jenkins**, 5160 Rives Rd., Elmore, Ala. 36025

*Primary Examiner*—Philip S. Hyder  
*Attorney, Agent, or Firm*—Robert J. Veal; Veal & Associates

[\*\*] Term: **14 Years**

### [57] CLAIM

The ornamental design for a board clamp, as shown and described.

[21] Appl. No.: **29/100,299**

### DESCRIPTION

[22] Filed: **Feb. 8, 1999**

FIG. 1 is a perspective view of a board clamp showing my new design;  
FIG. 2 is a front elevational view thereof;  
FIG. 3 is a rear elevational view thereof;  
FIG. 4 is a top plan view thereof;  
FIG. 5 is a bottom view thereof;  
FIG. 6 is a left side elevational view thereof;  
FIG. 7 is a right side elevational view thereof; and,  
FIG. 8 is a perspective view thereof.  
The boards and clamping means shown in broken lines are illustrative of environmental structure and are not part of the claimed design.

[51] **LOC (7) Cl.** ..... **08-05**

[52] **U.S. Cl.** ..... **D8/72; D8/71**

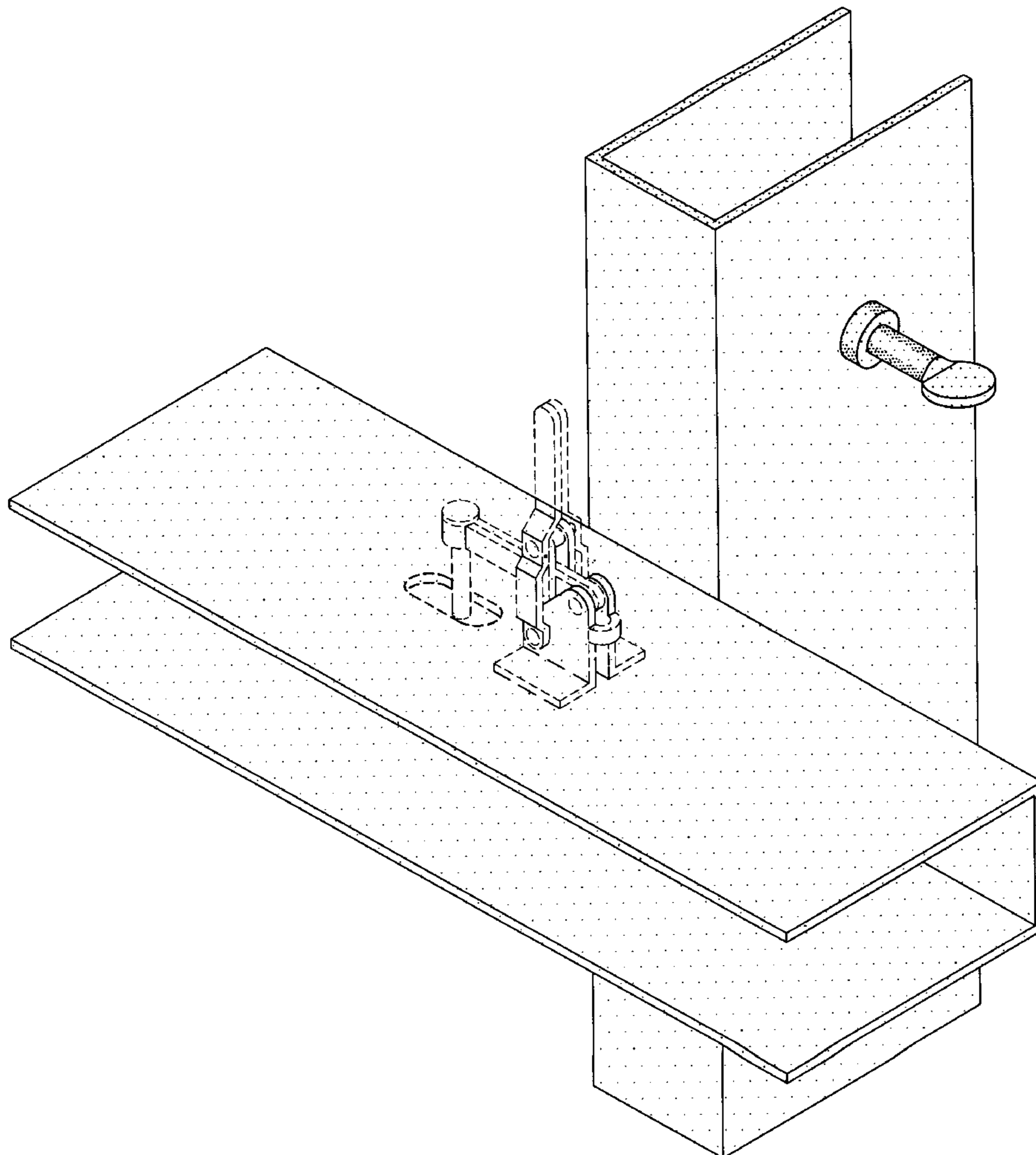
[58] **Field of Search** ..... D8/71, 72, 14, D8/382; 269/40, 41, 904, 905, 97, 98

### [56] References Cited

#### U.S. PATENT DOCUMENTS

D. 226,060	1/1973	Wildman	.....	D8/72
D. 350,682	9/1994	Carey	.....	D8/71
D. 375,040	10/1996	Miyashita	.....	D8/382

**1 Claim, 5 Drawing Sheets**



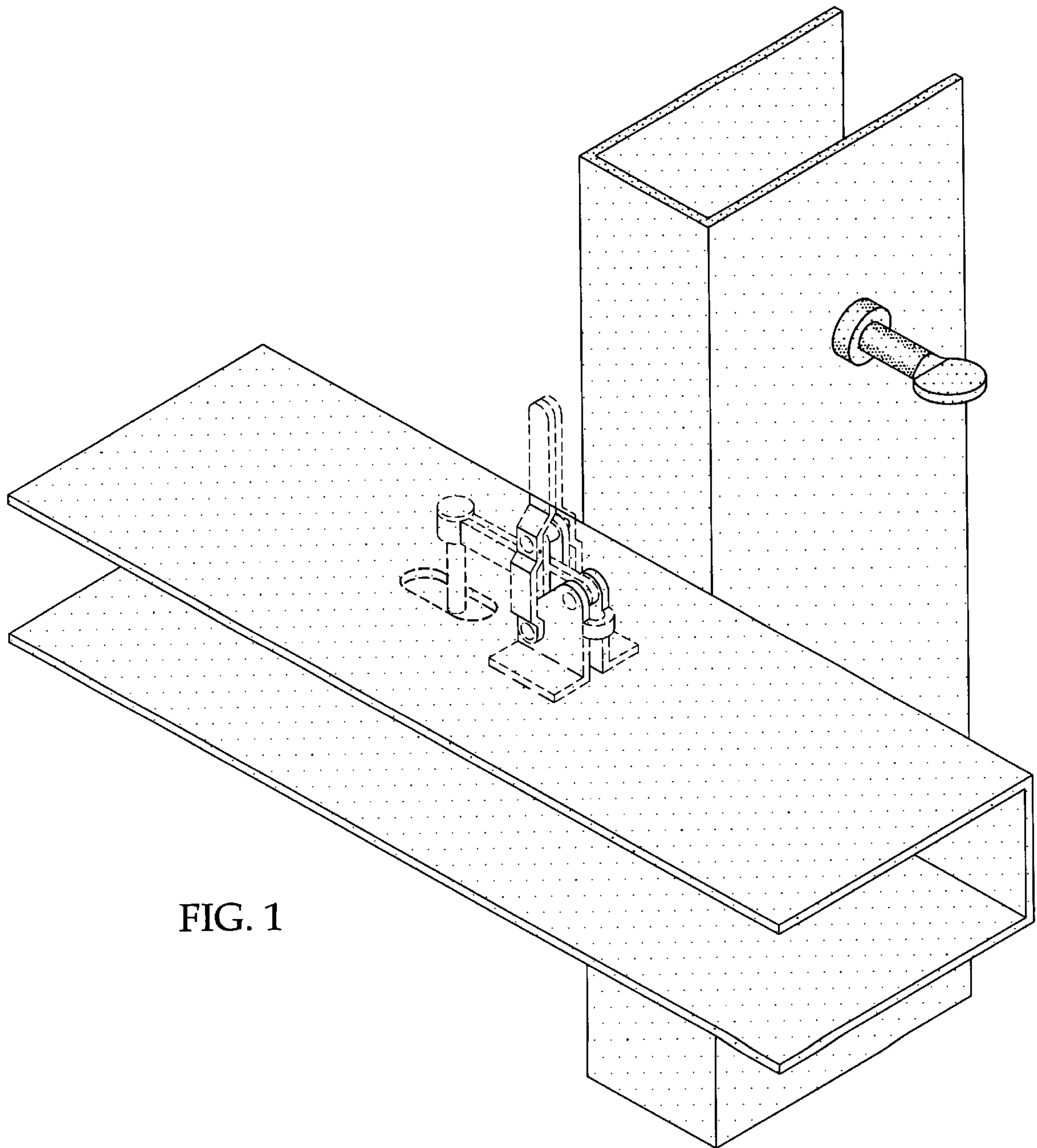
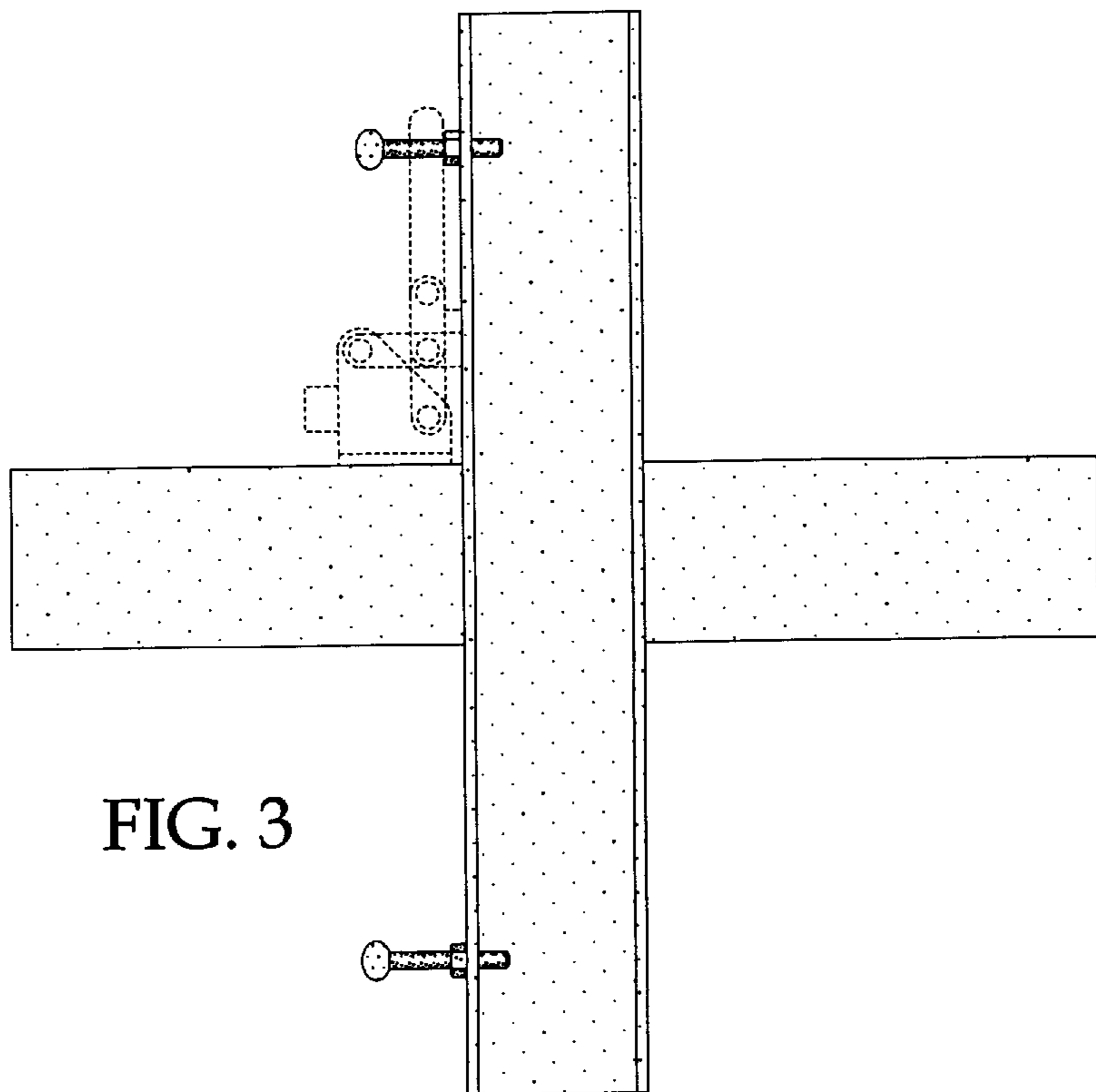
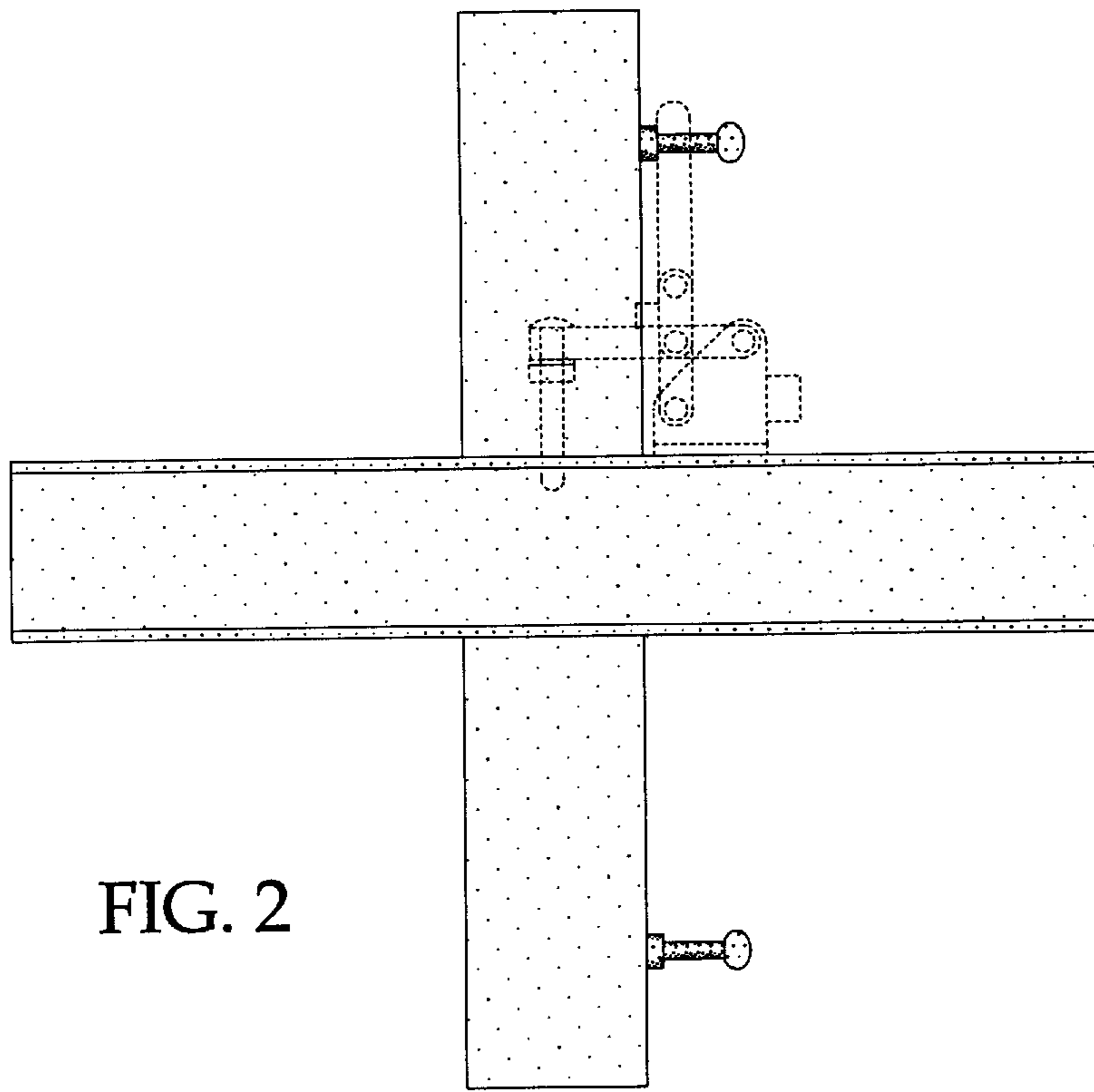


FIG. 1



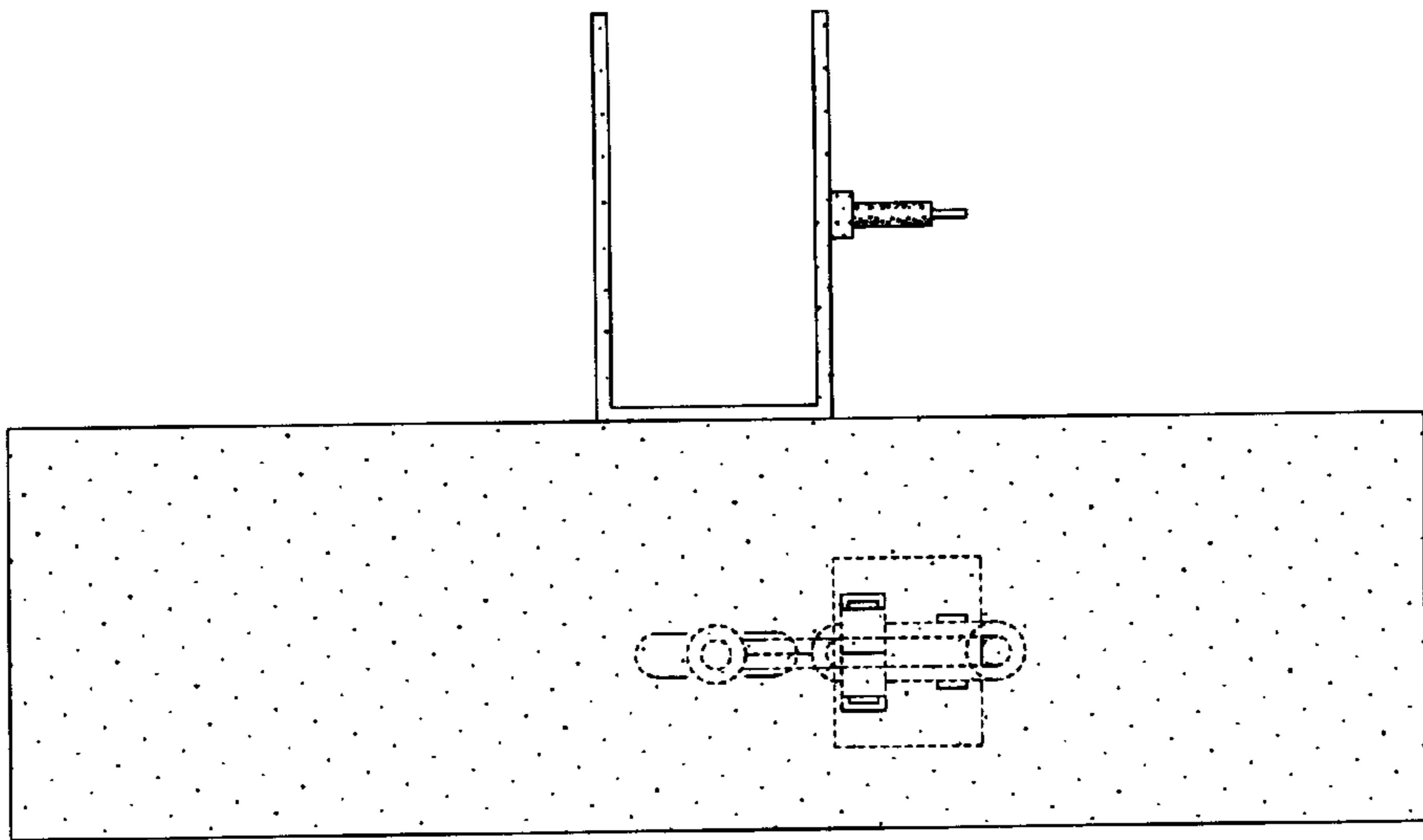


FIG. 4

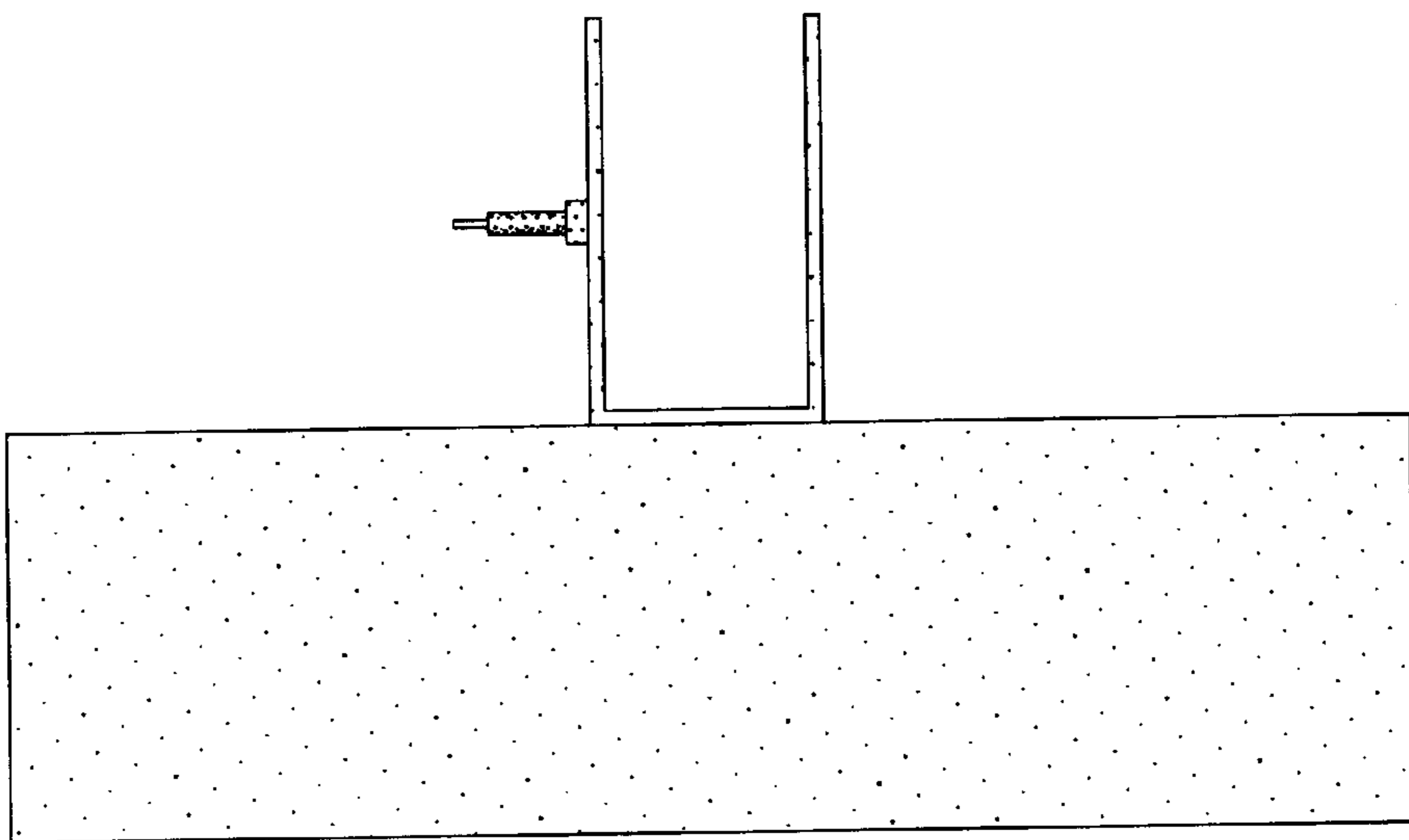


FIG. 5

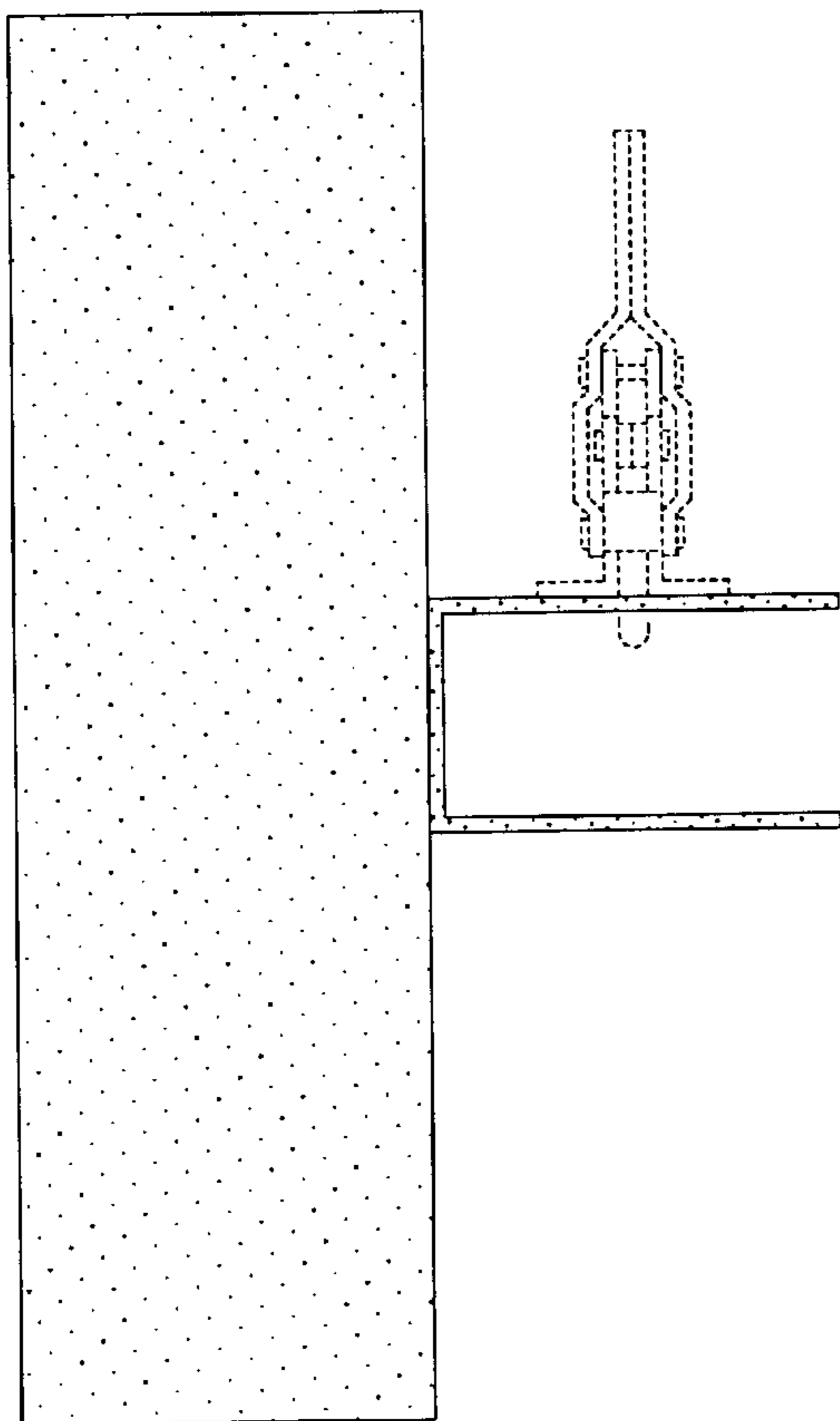


FIG. 6

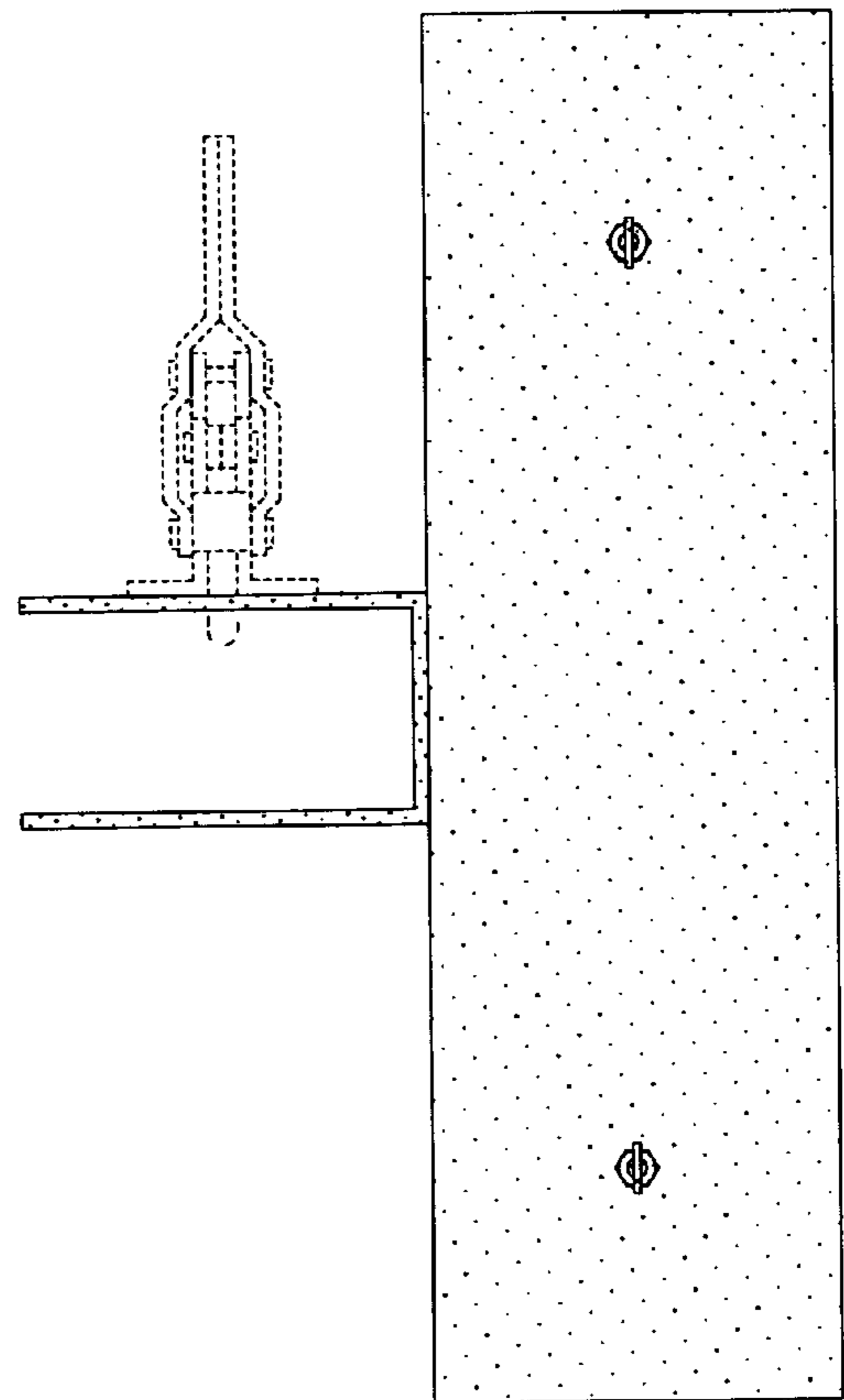


FIG. 7

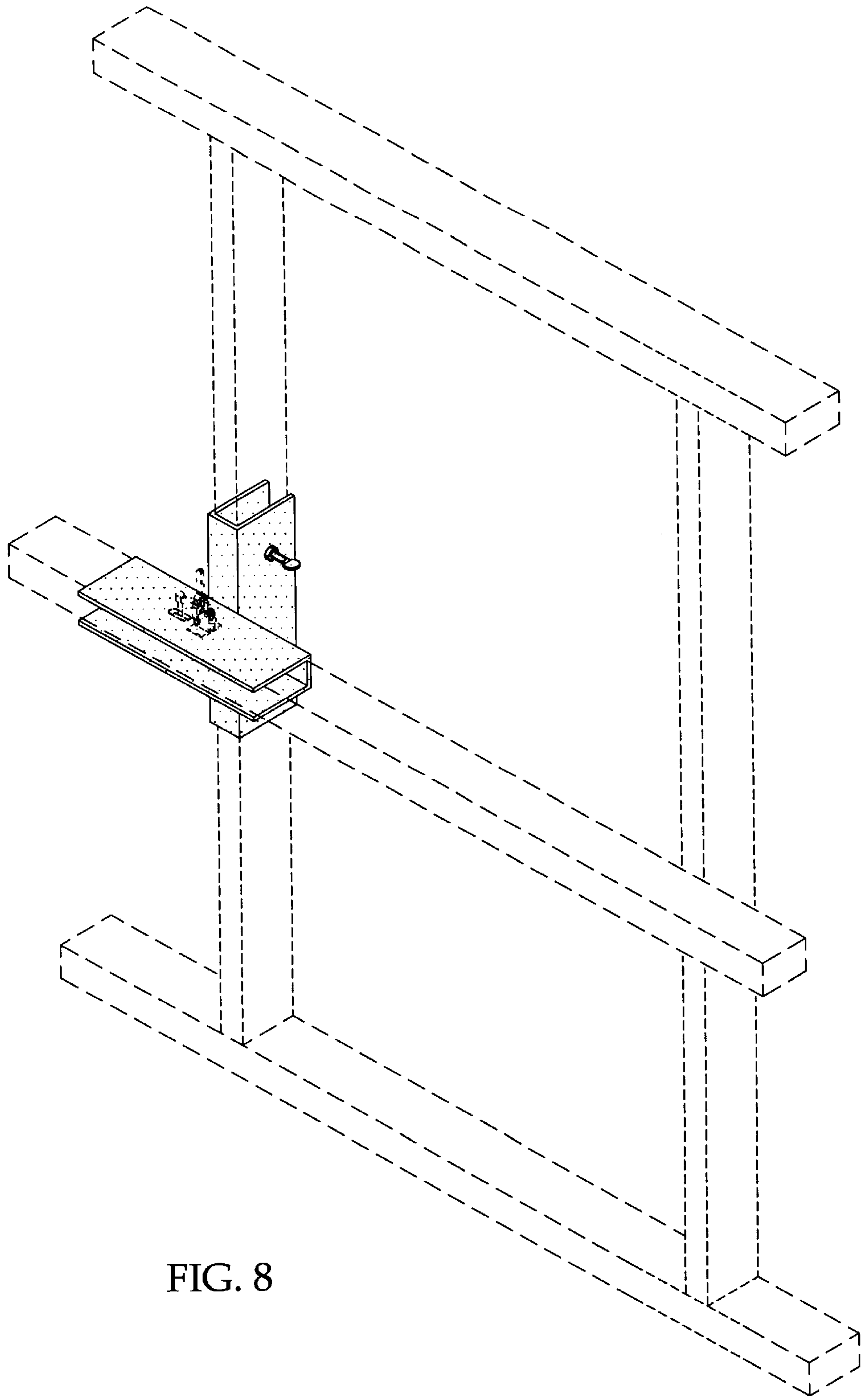


FIG. 8