



US00D425770S

United States Patent [19] Hsieh

[11] **Patent Number: Des. 425,770**

[45] **Date of Patent: ** May 30, 2000**

[54] **SOCKET WRENCH**

4,699,029 10/1987 Kelly et al. 81/121.1

[76] Inventor: **Chih-Ching Hsieh**, No. 64, Lane 107,
Liang Tsun Rd., Fong Yuan City,
Taichung Hsien, Taiwan

Primary Examiner—Ted Shooman
Assistant Examiner—Richelle Shelton
Attorney, Agent, or Firm—Pro-Techt International Service

[**] Term: **14 Years**

[57] CLAIM

[21] Appl. No.: **29/088,700**

The ornamental design for socket wrench, as shown and described.

[22] Filed: **May 29, 1998**

DESCRIPTION

[51] **LOC (7) Cl.** **08-05**

[52] **U.S. Cl.** **D8/29**

[58] **Field of Search** D8/29; 81/121.1,
81/124.5, 124.6, 177.2, 177.85

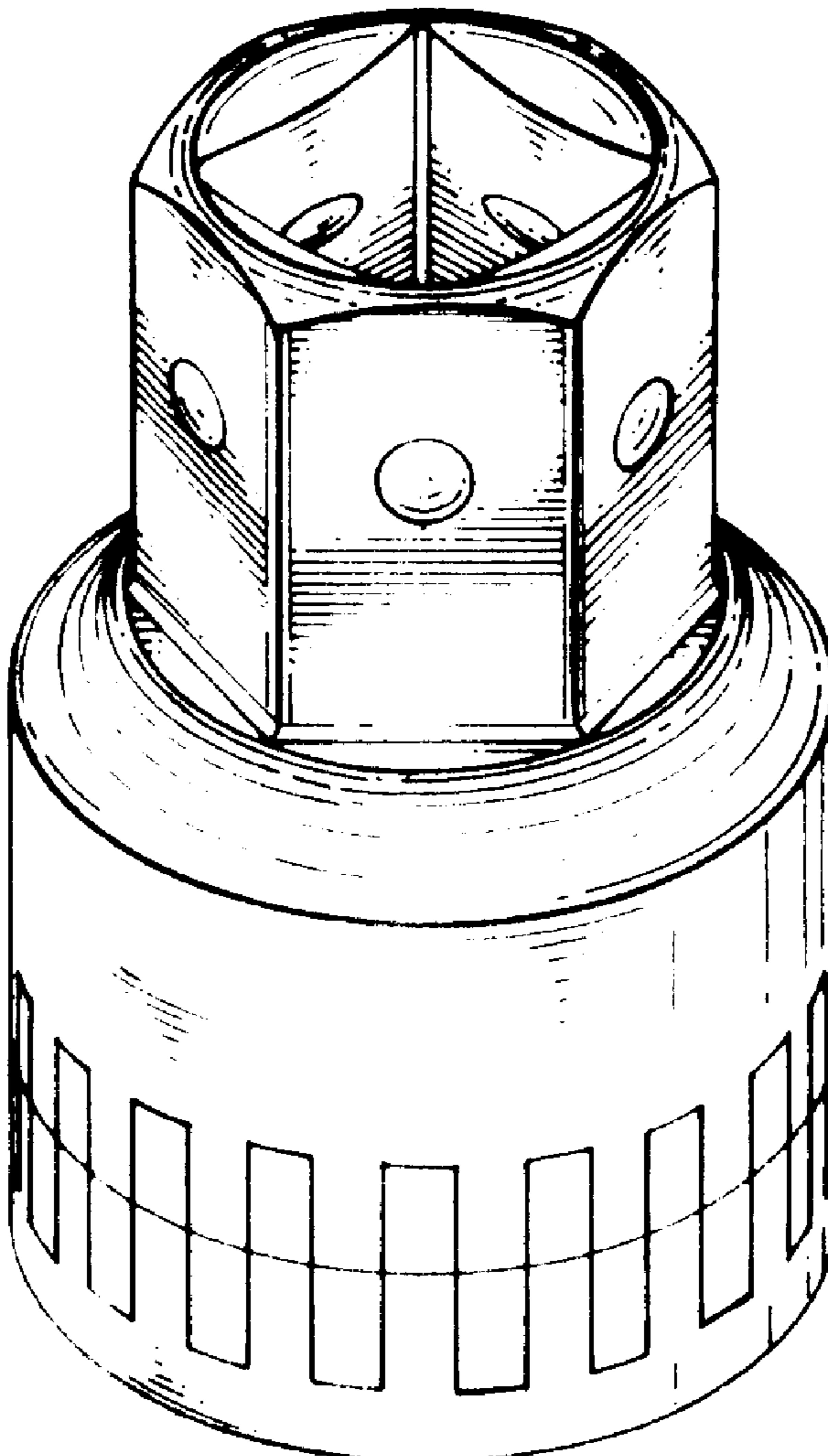
FIG. 1 is a perspective view of a socket wrench showing my new design;
FIG. 2 is a top plan view thereof;
FIG. 3 is a front elevational view thereof, the rear elevational view being a mirror image of that shown ;
FIG. 4 is a side elevational view thereof, the opposite side being a mirror image of that shown; and,
FIG. 5 is a bottom plan view thereof.

[56] References Cited

U.S. PATENT DOCUMENTS

1,658,886 2/1928 Dickey 81/121.1
3,331,267 7/1967 Tietge 81/121.1 X
4,459,716 7/1984 Valadez 81/121.1 X

1 Claim, 3 Drawing Sheets



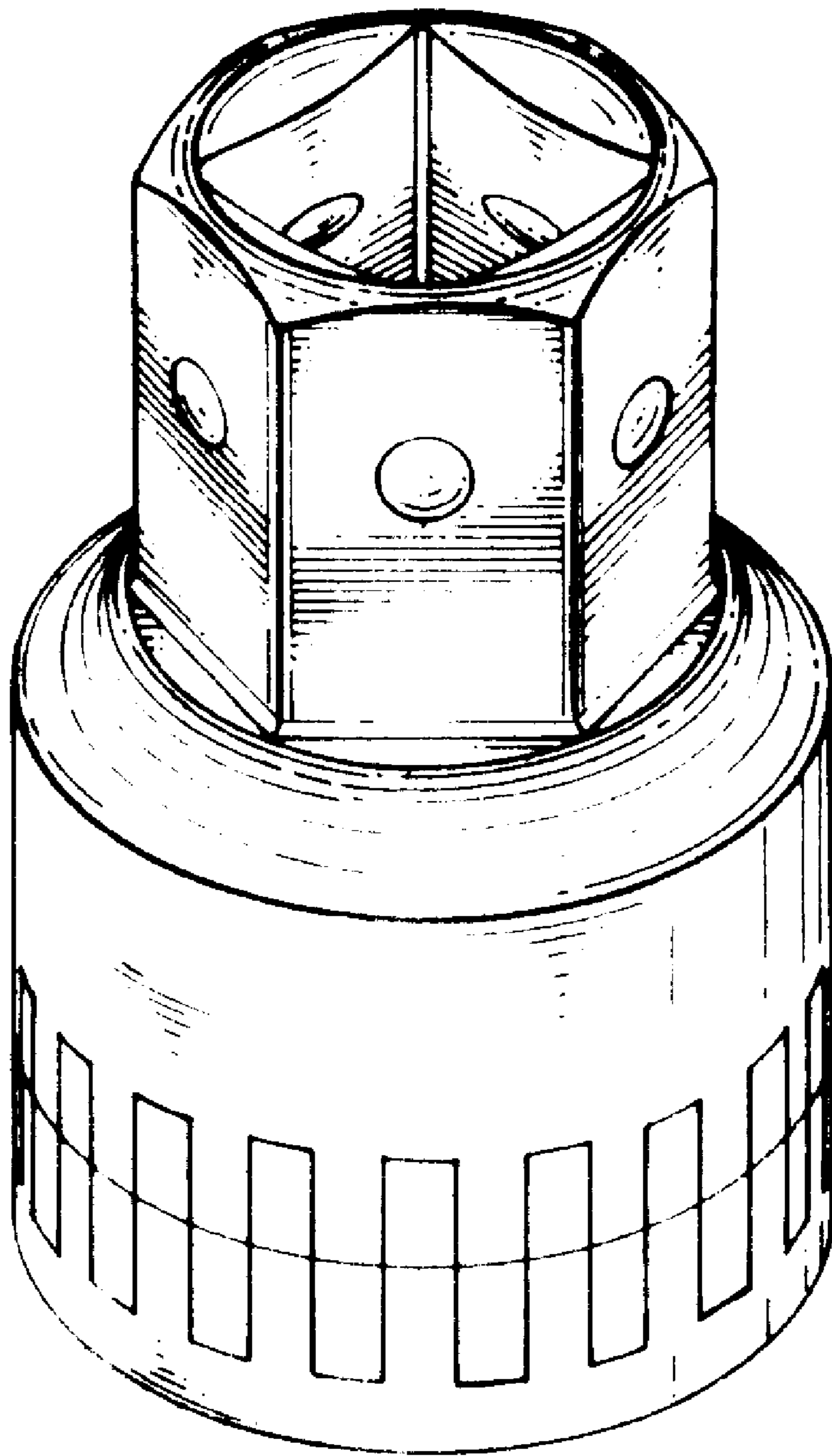


Fig . 1

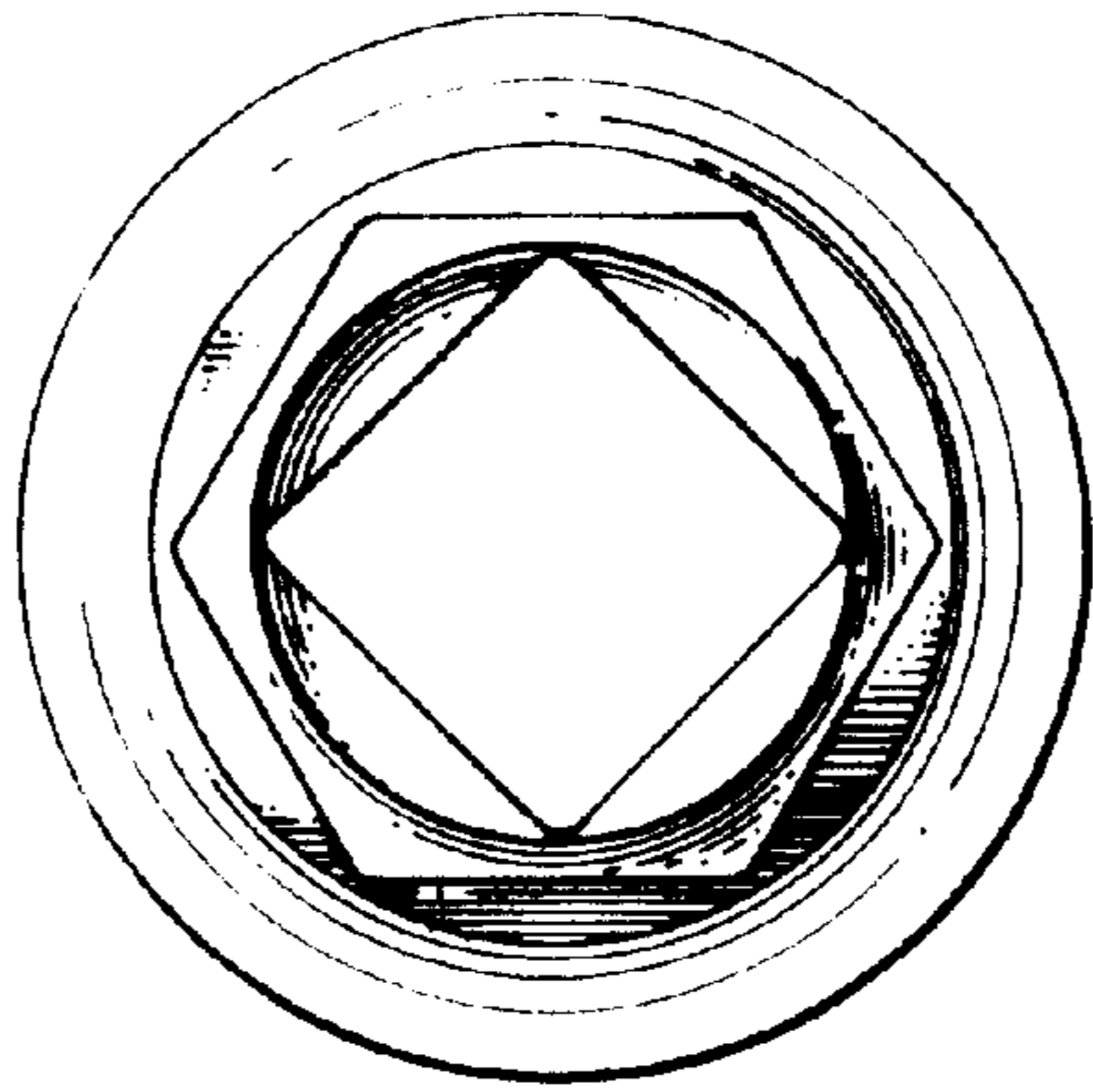


Fig . 2

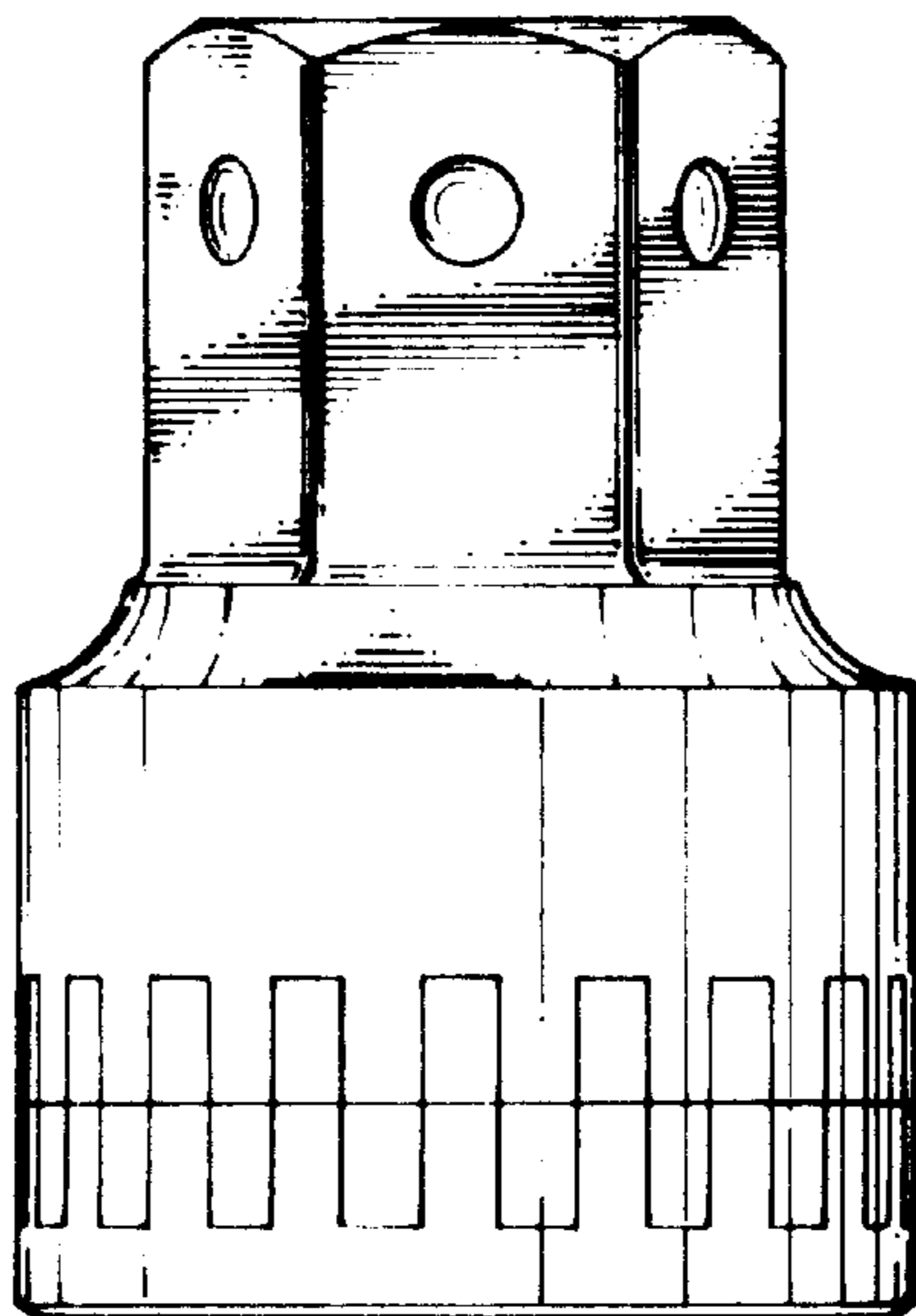


Fig . 3

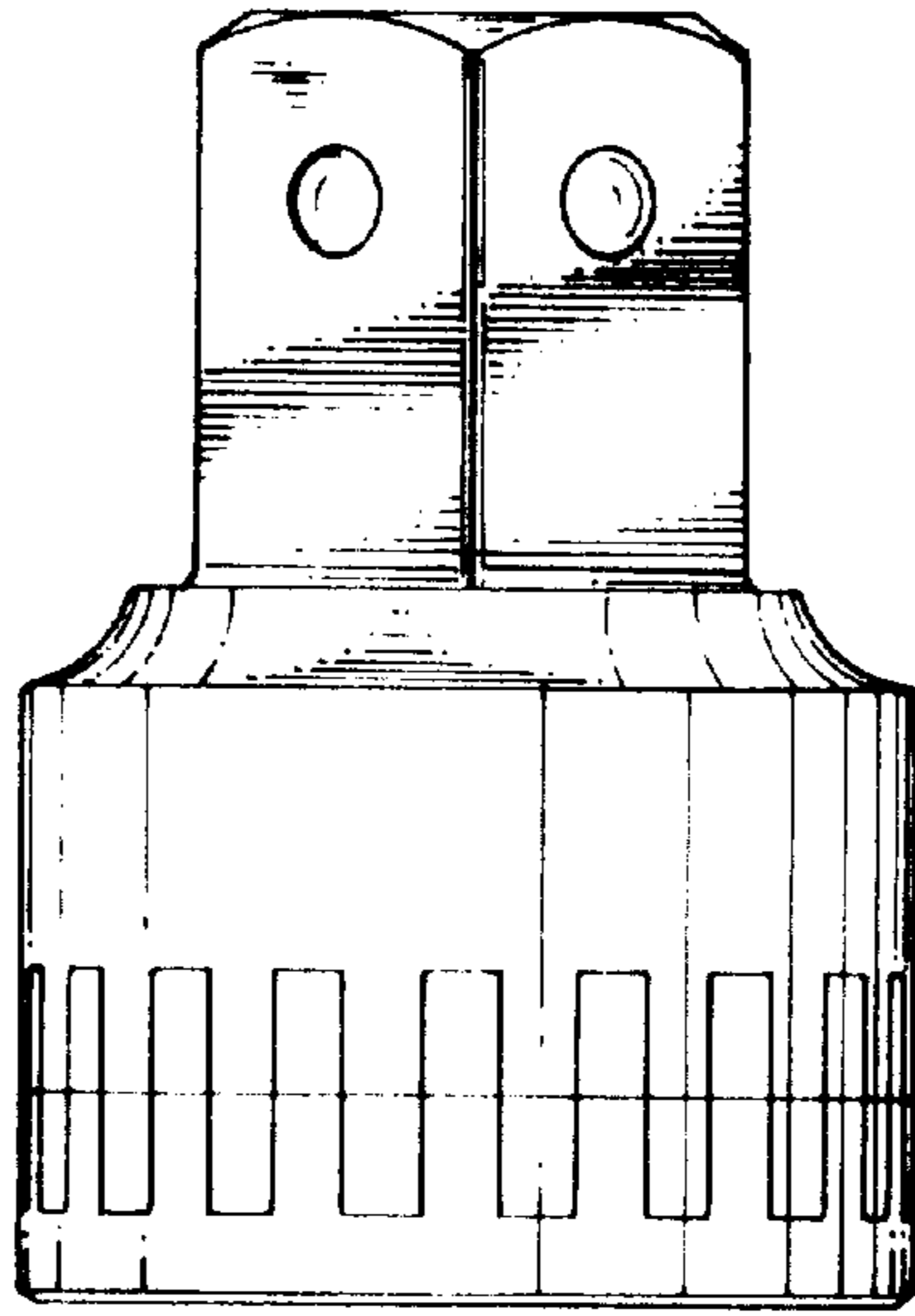


Fig . 4

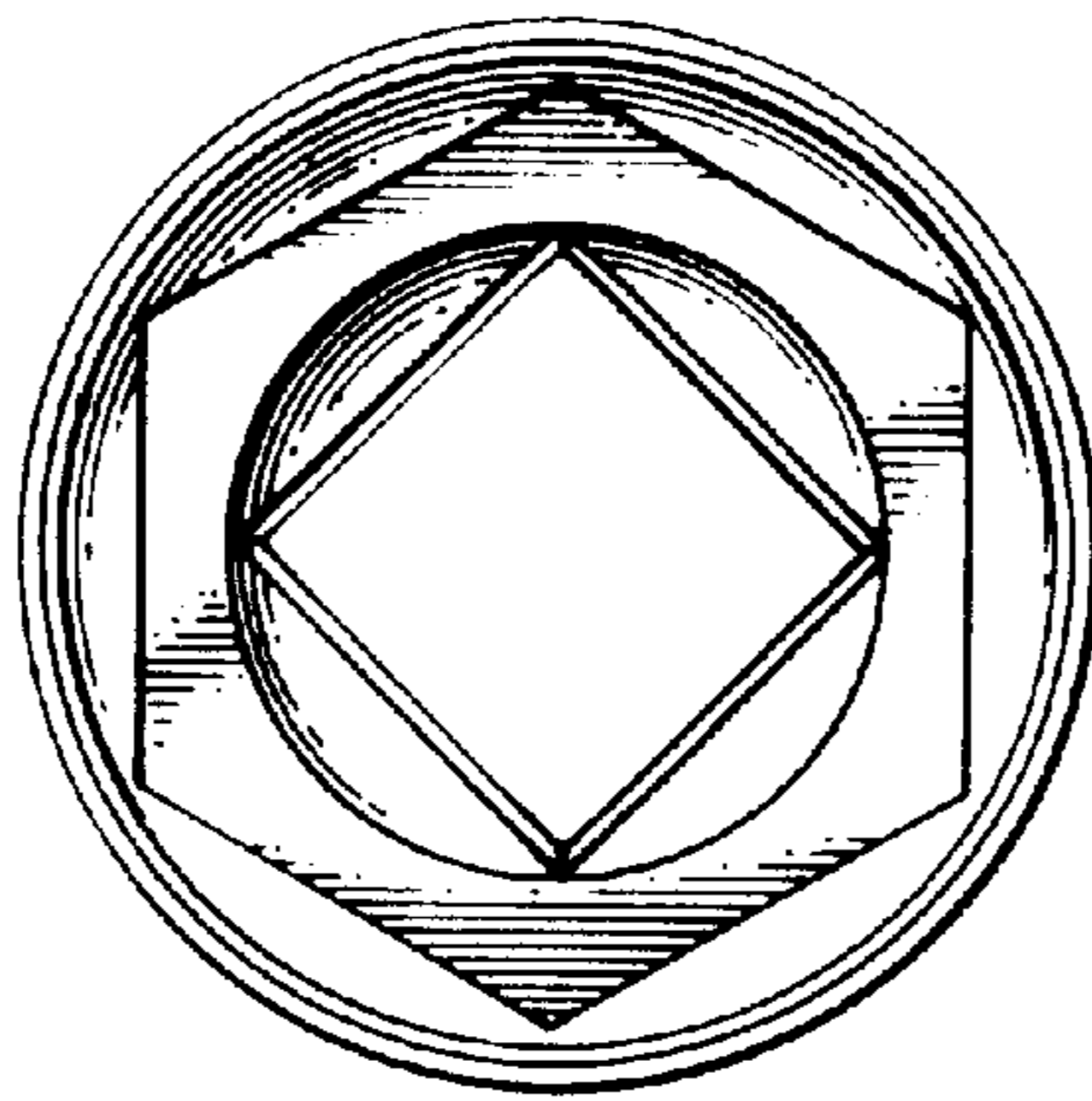


Fig . 5