



US00D425766S

# United States Patent [19]

Lundeen et al.

[11] **Patent Number: Des. 425,766**

[45] **Date of Patent: \*\* May 30, 2000**

[54] **HEDGE TRIMMING COLLECTOR**

[76] Inventors: **Gary S. Lundeen; Mark R. Lundeen**,  
both of 806 E. Nerge Rd., Roselle, Ill.  
60172-4884

[\*\*] Term: **14 Years**

[21] Appl. No.: **29/105,586**

[22] Filed: **May 28, 1999**

[51] **LOC (7) Cl.** ..... **08-01**

[52] **U.S. Cl.** ..... **D8/1; D34/1**

[58] **Field of Search** ..... D8/1, 2; 47/84,  
47/23, 26, 28.1, 79, 86, 65.5; D7/550.1,  
551.2; D34/1

[56] **References Cited**

### U.S. PATENT DOCUMENTS

D. 299,979 2/1989 Garrison ..... D34/1

D. 322,014 12/1991 Weihe ..... D8/1  
D. 351,537 10/1994 Yagin ..... D8/1  
D. 394,929 6/1998 Ahumada ..... D34/1  
D. 408,233 4/1999 Price ..... D8/1

*Primary Examiner*—Robin V. Taylor  
*Attorney, Agent, or Firm*—Jack Shore

[57] **CLAIM**

The ornamental design for a hedge trimming collector, as shown and described.

### DESCRIPTION

FIG. 1 is a perspective view of a hedge trimming collector illustrating our new design;  
FIG. 2 is a top view thereof;  
FIG. 3 is a front view thereof;  
FIG. 4 is a rear view thereof; and,  
FIG. 5 is a side view thereof.

**1 Claim, 1 Drawing Sheet**

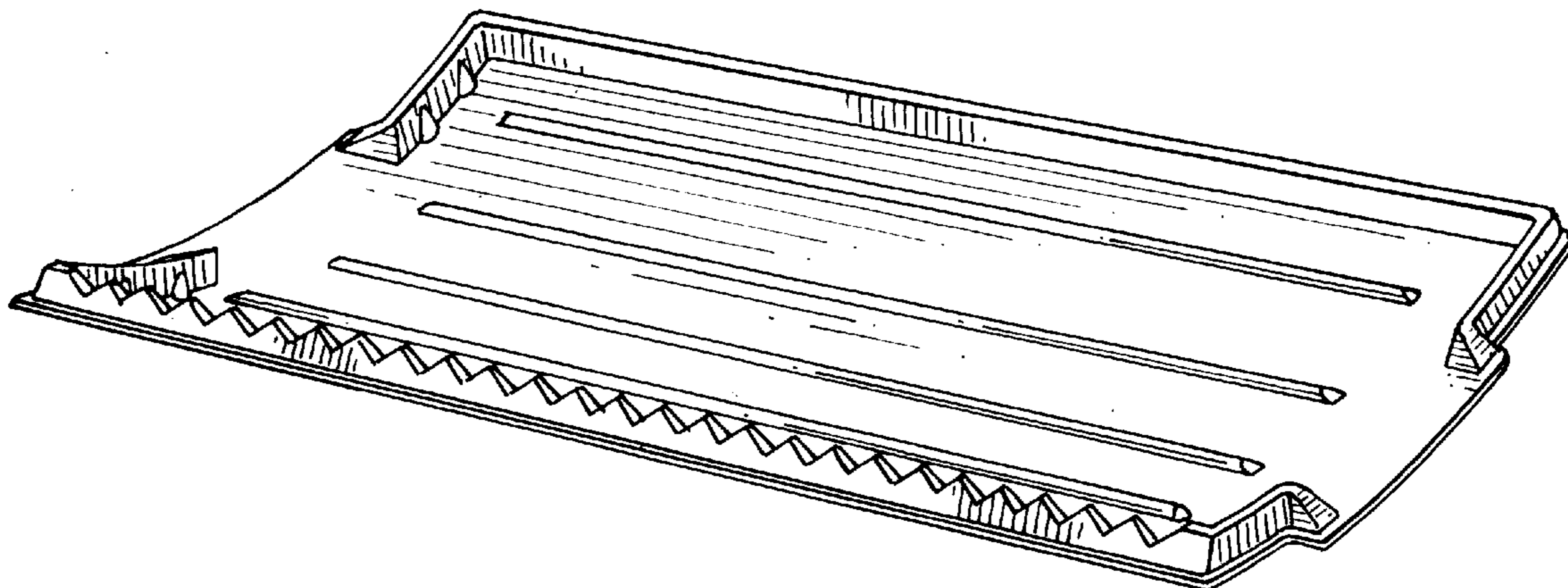


FIG. 1

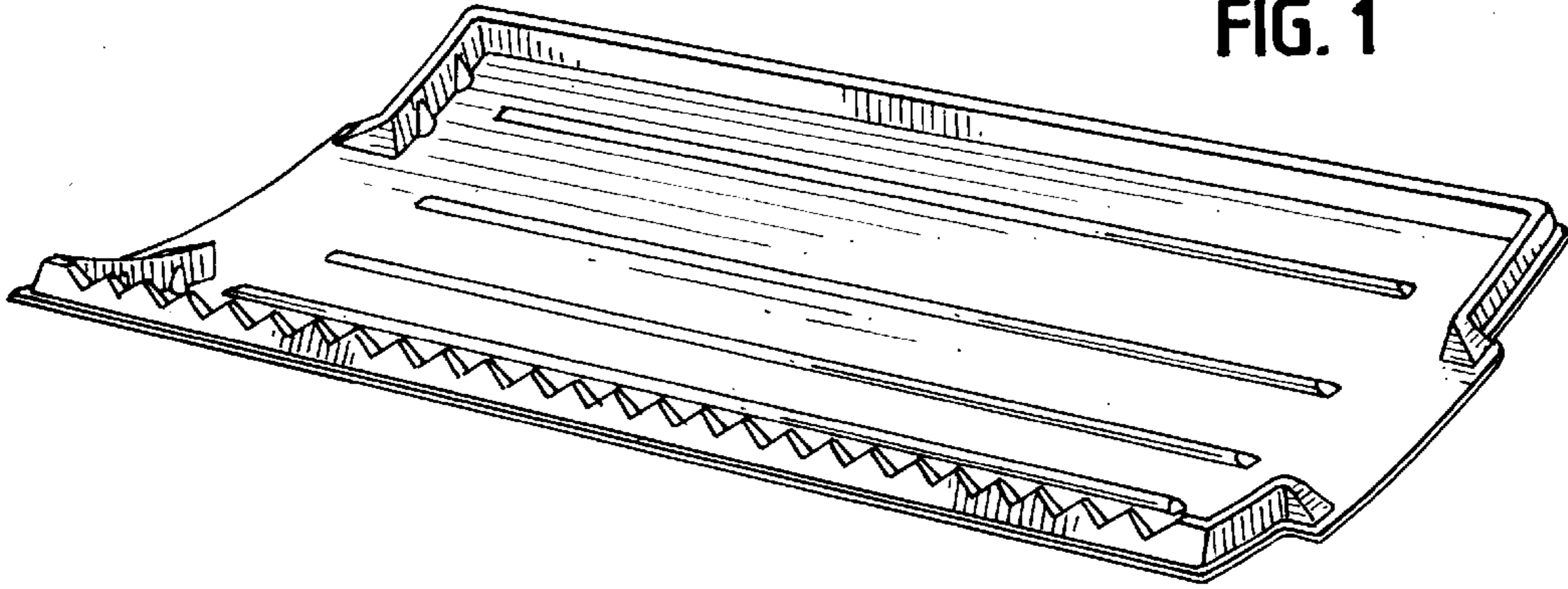


FIG. 2

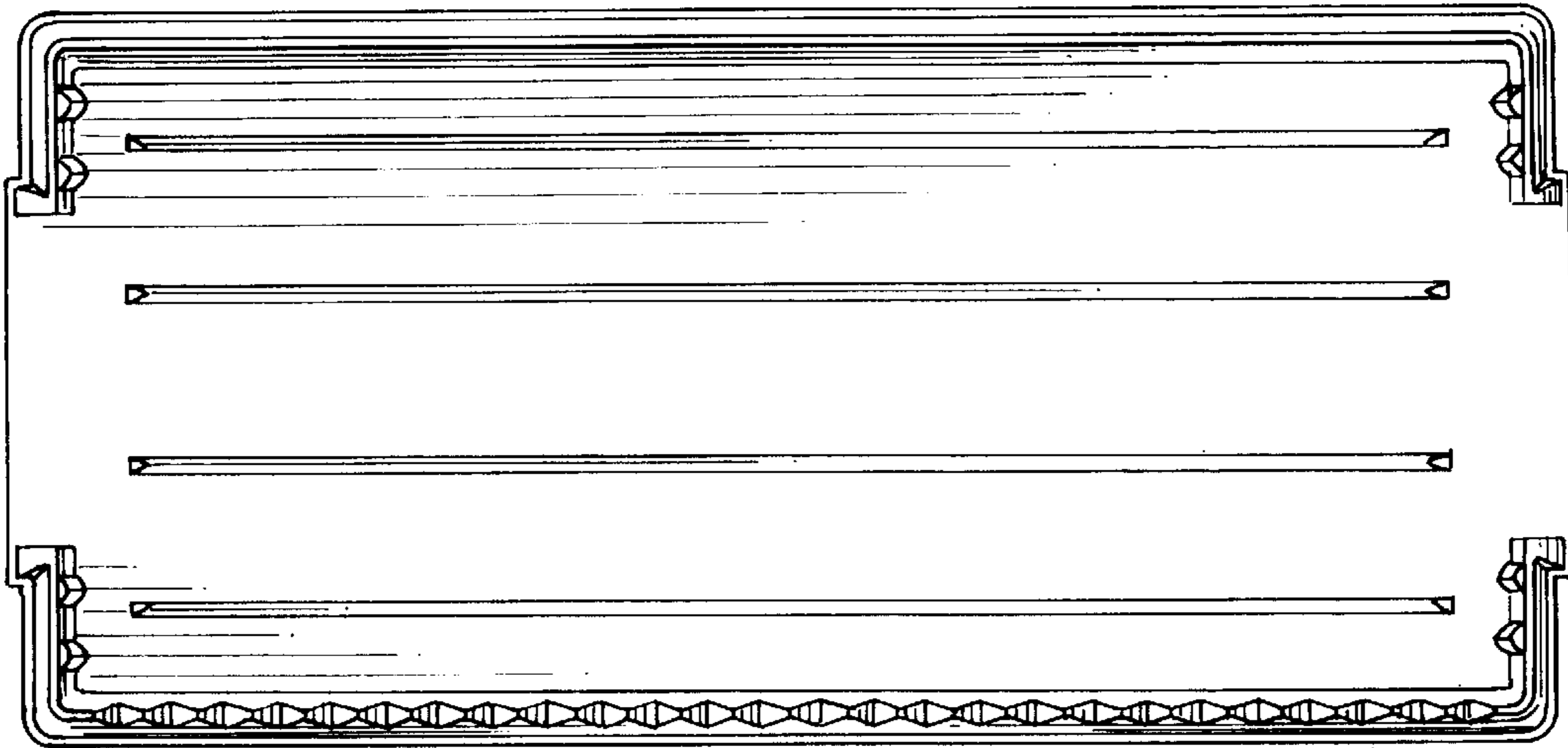


FIG. 3

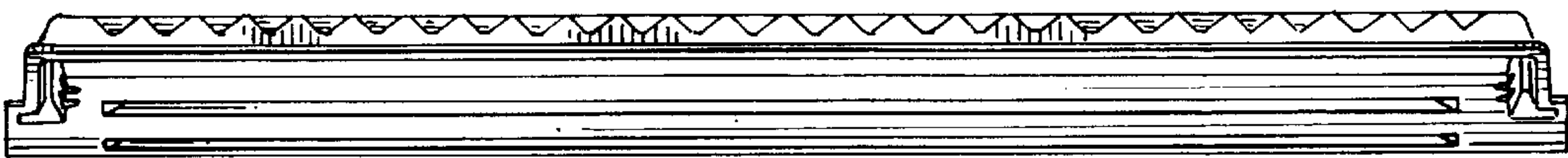


FIG. 4

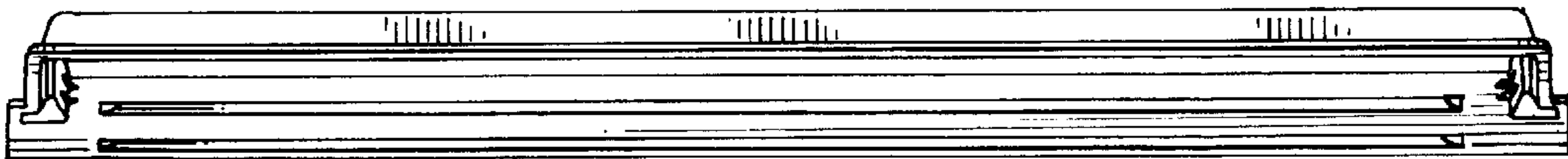


FIG. 5

