



US00D425765S

United States Patent [19]
Hamilton

[11] **Patent Number: Des. 425,765**

[45] **Date of Patent: ** May 30, 2000**

[54] **YARD EDGER**

D. 376,077 12/1996 Basek D8/7

[76] Inventor: **Jack Star Hamilton**, 3014 10th St.,
Rockford, Ill. 61109-2102

Primary Examiner—Robin V. Taylor
Attorney, Agent, or Firm—Keith Frantz

[**] Term: **14 Years**

[57] **CLAIM**

[21] Appl. No.: **29/101,632**

The ornamental design for a yard edger, as shown and described.

[22] Filed: **Mar. 8, 1999**

DESCRIPTION

[51] **LOC (7) Cl.** **08-01**

[52] **U.S. Cl.** **D8/1; D8/8**

[58] **Field of Search** D8/7-10; 30/315,
30/DIG. 5; 394/56; 172/13, 14

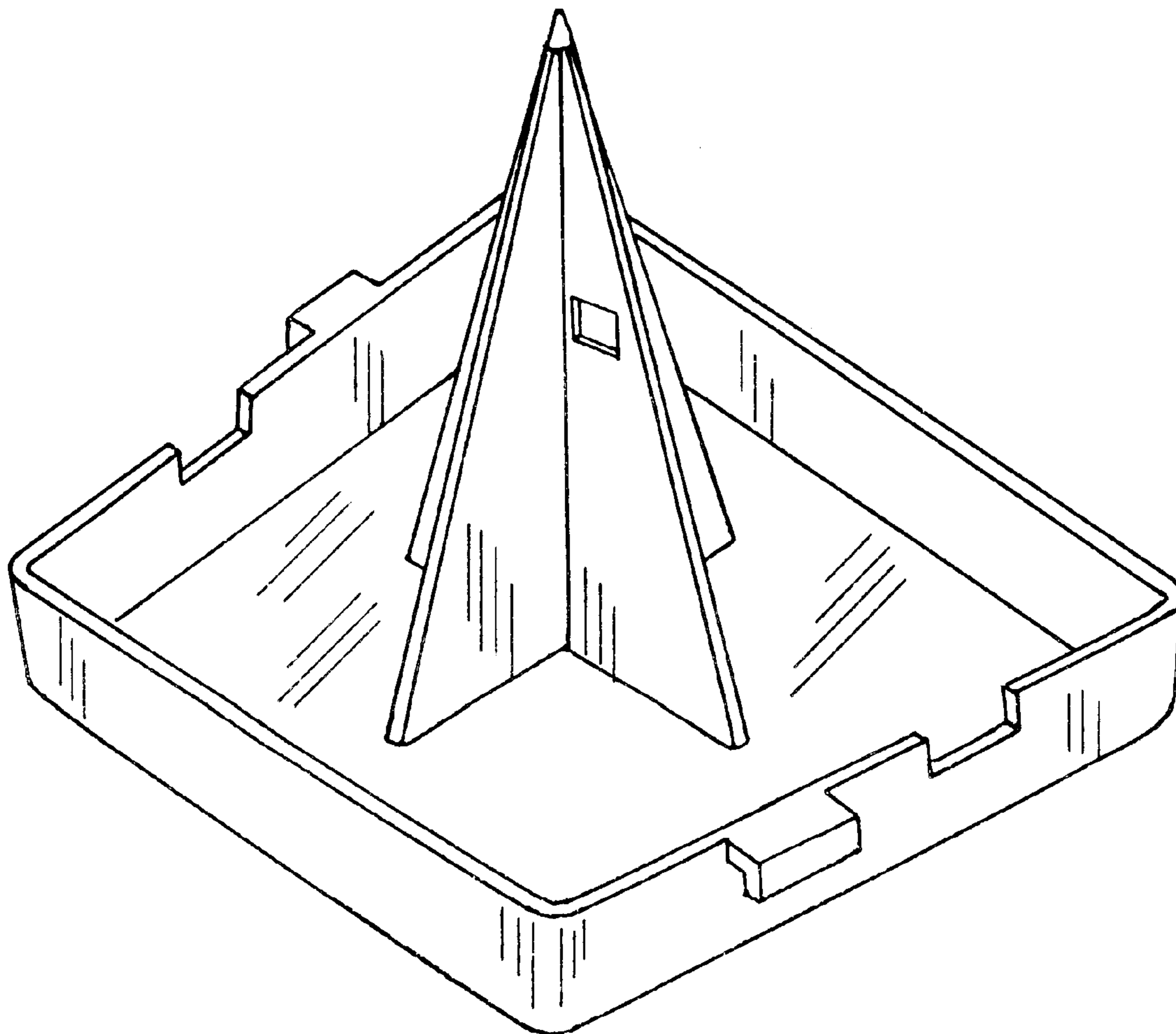
FIGS. 1 and 2 are top and bottom perspective views, respectively, showing my new design.
FIGS. 3 and 4 are front and rear views, respectively, thereof.
FIG. 5 is a right side view thereof, the left side (not shown) view being a mirror image thereof; and,
FIGS. 6 and 7 are top and bottom plan views, respectively, thereof.

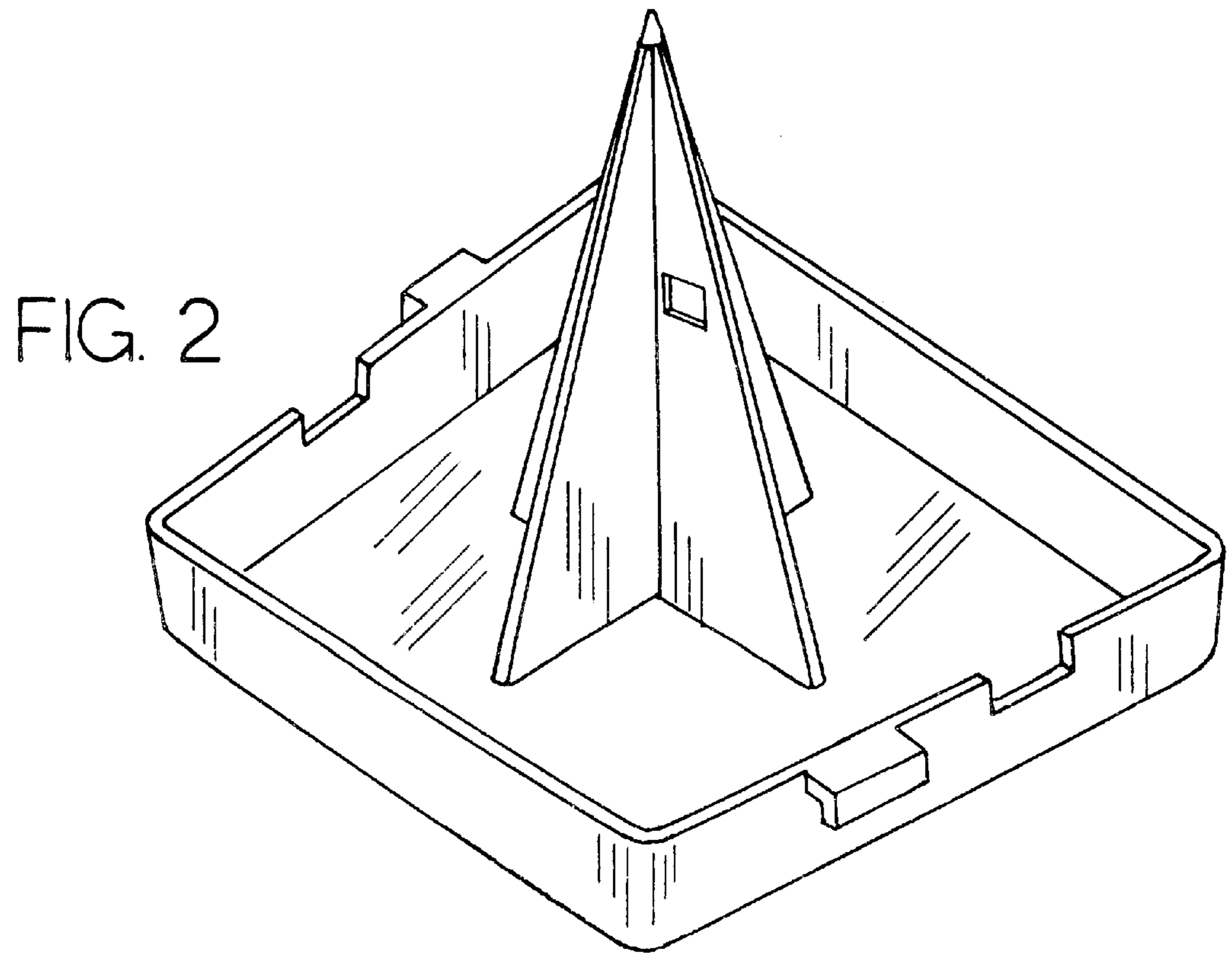
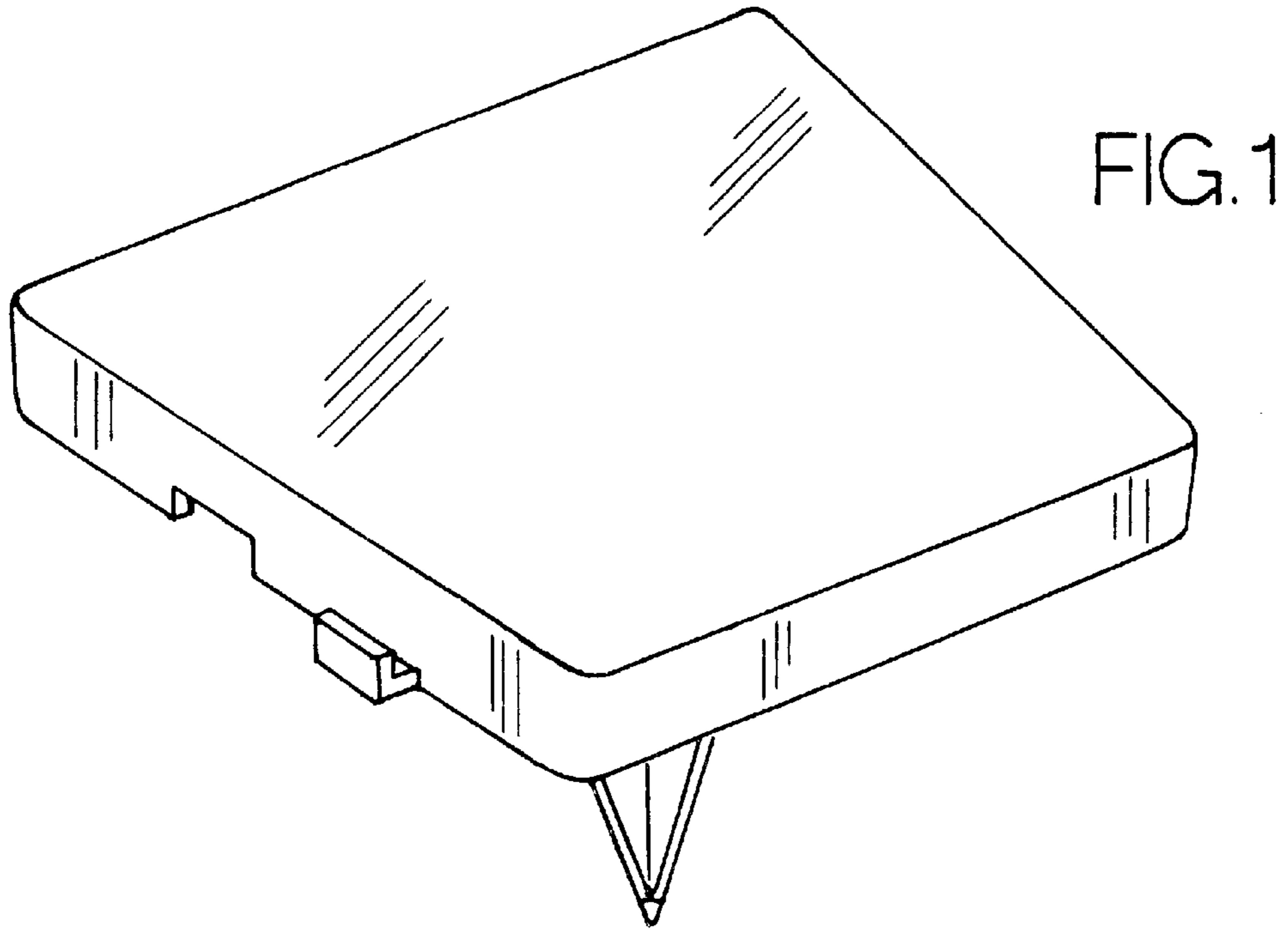
[56] **References Cited**

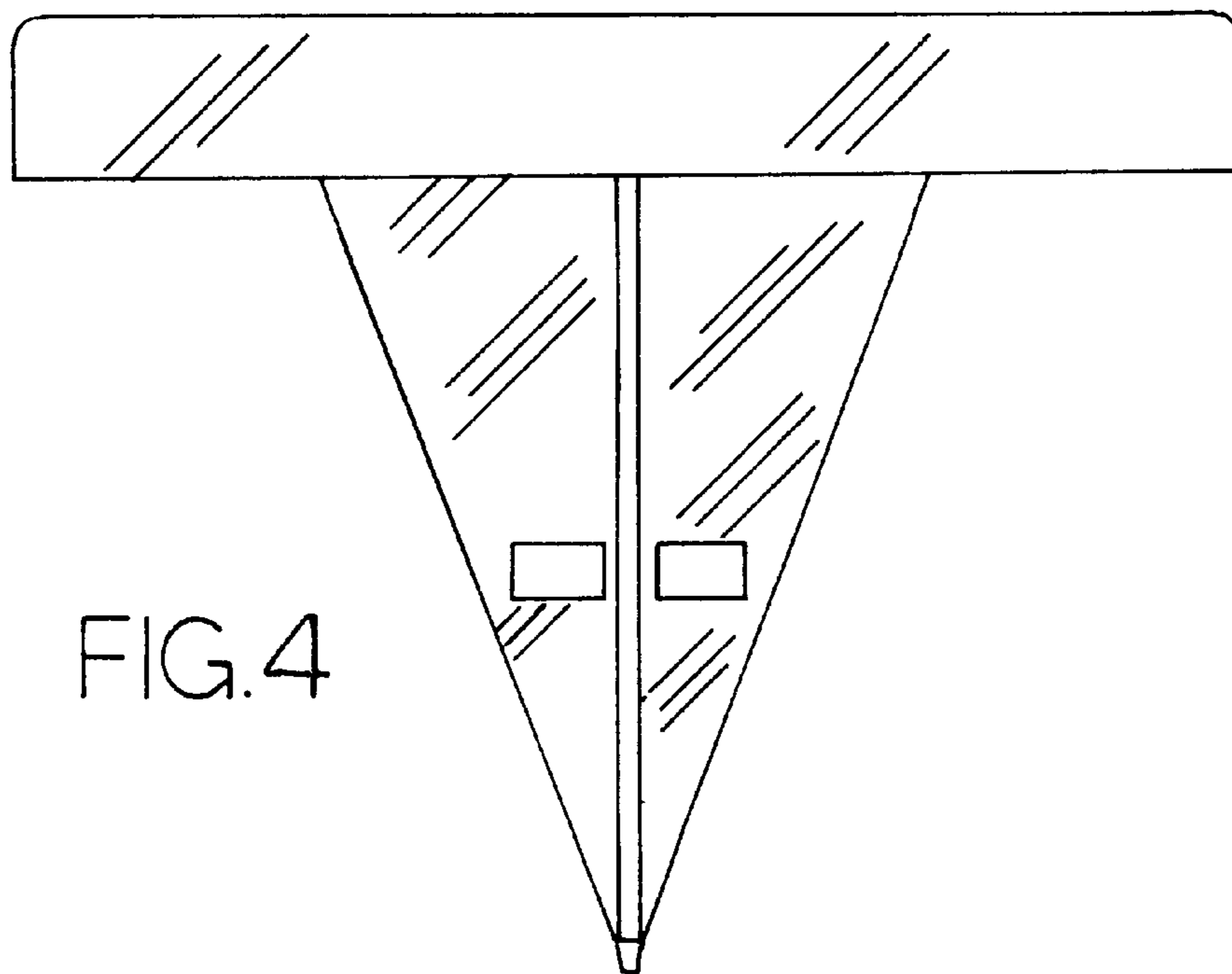
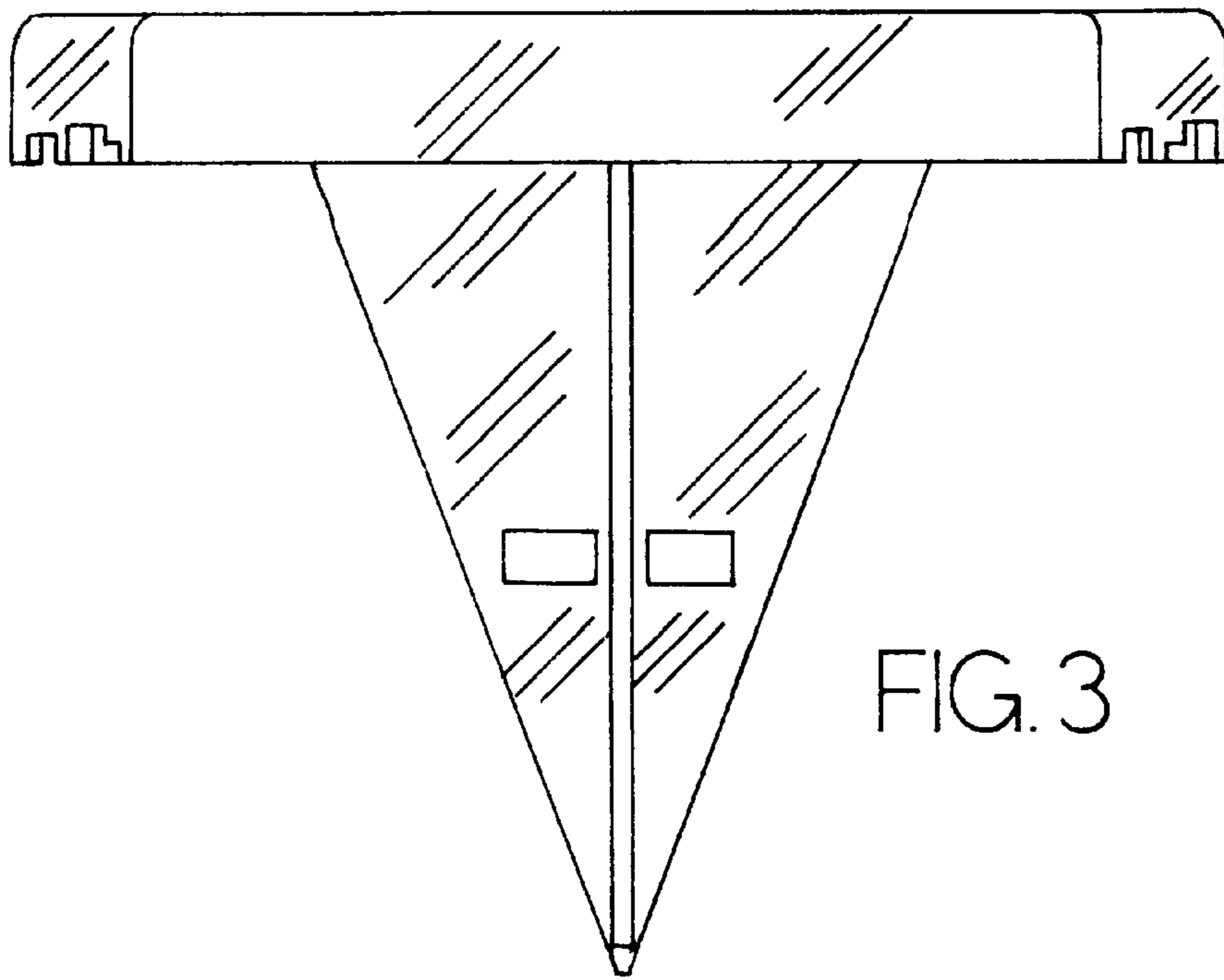
U.S. PATENT DOCUMENTS

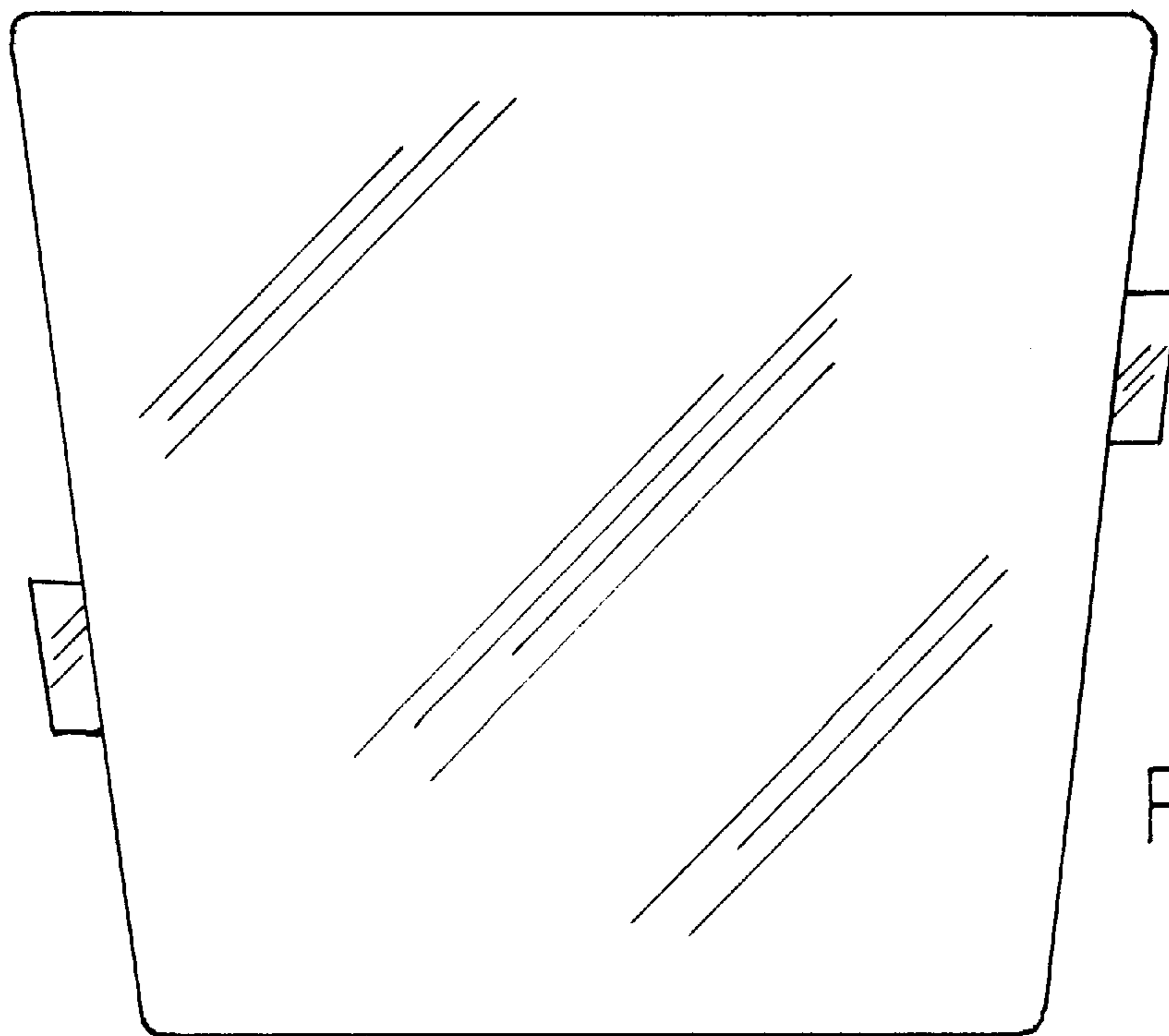
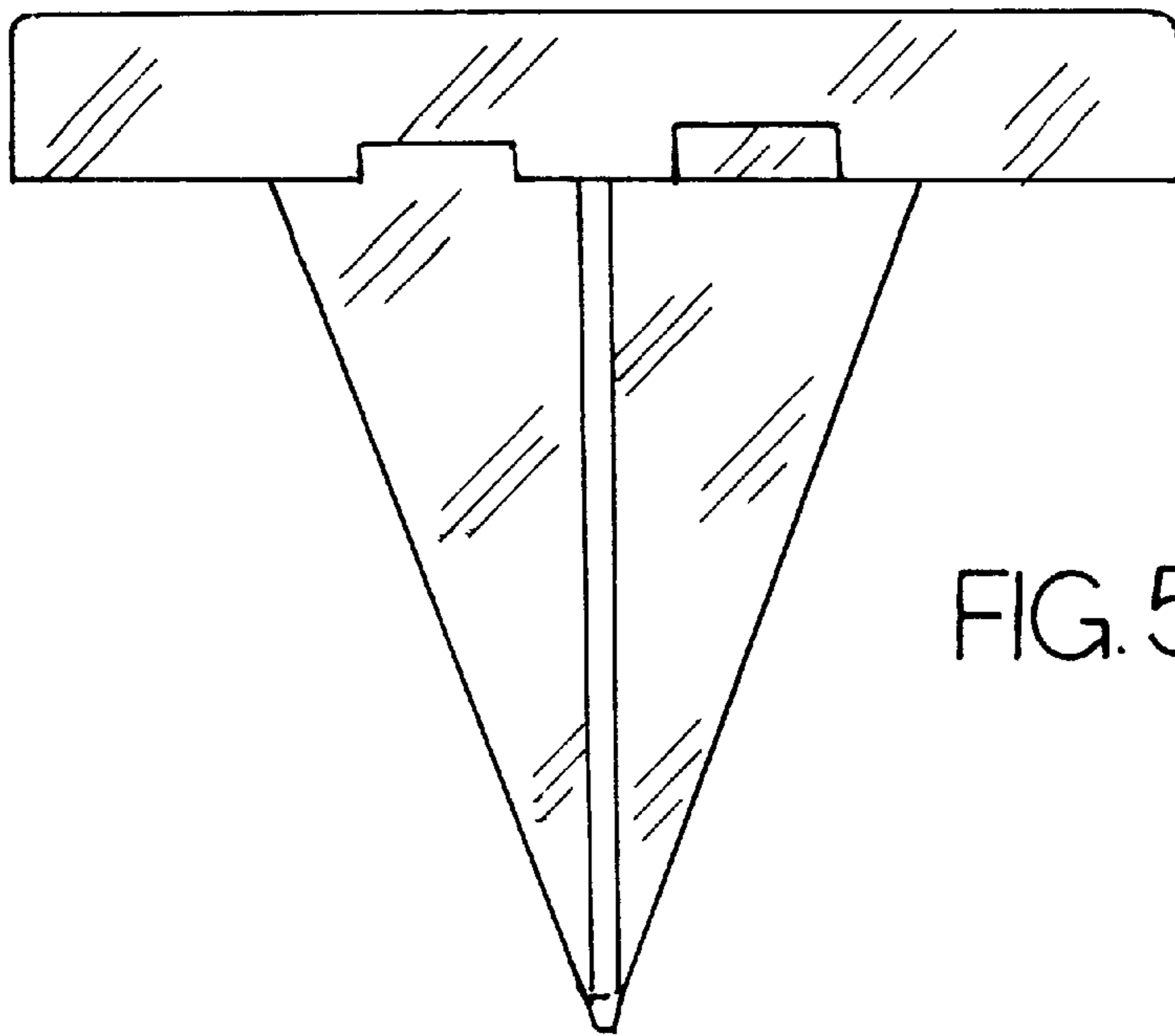
- D. 28,530 5/1898 Meyer D8/8
- D. 174,586 4/1955 Moberg D8/8

1 Claim, 4 Drawing Sheets









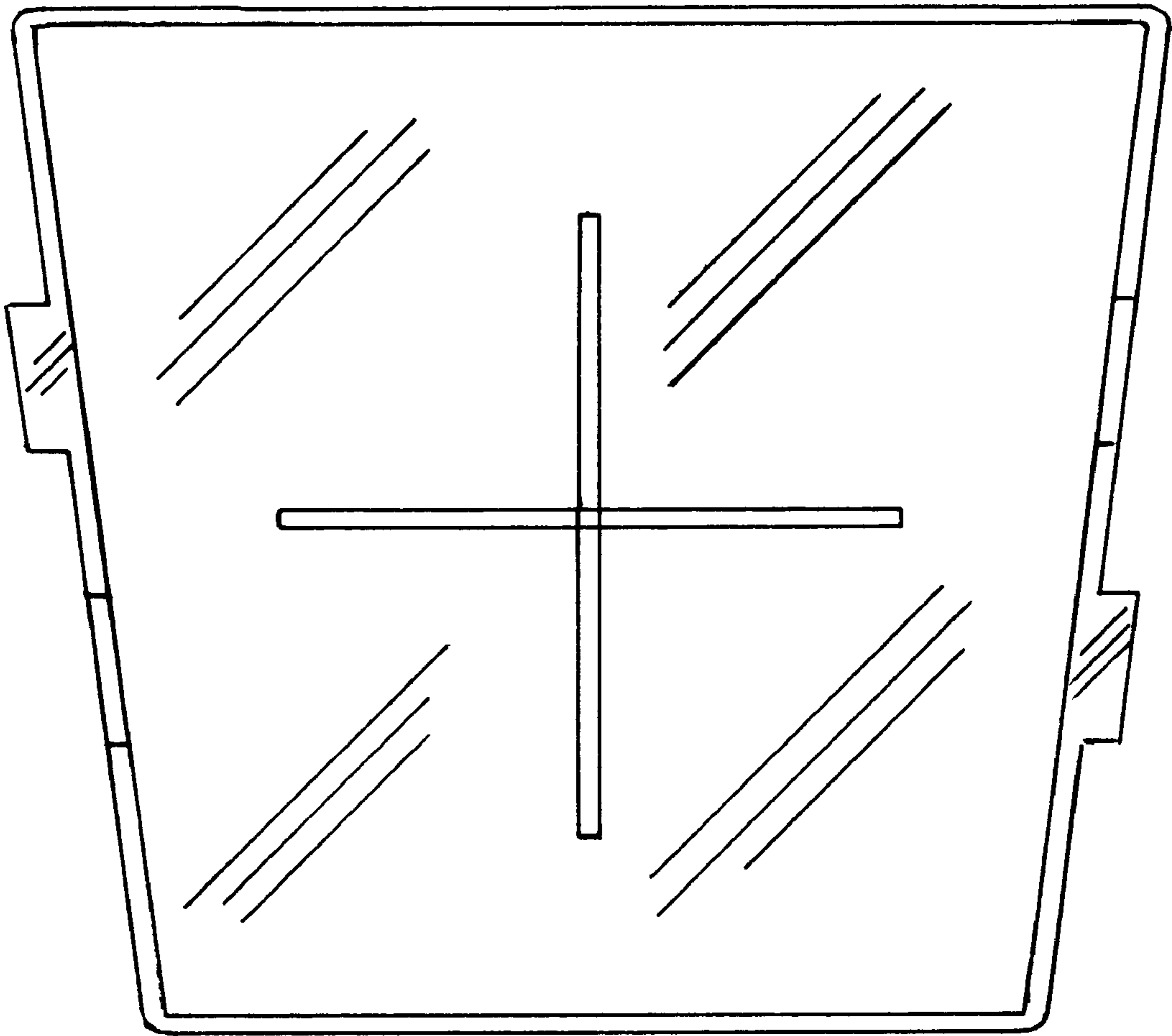


FIG. 7