



US00D425763S

United States Patent [19]

[11] **Patent Number: Des. 425,763**

Begley et al.

[45] **Date of Patent: ** May 30, 2000**

[54] **MASHER TOOL**

OTHER PUBLICATIONS

[75] Inventors: **Douglas Begley**, Palatine; **Thomas E. Perdue, Jr.**, Crystal Lake, both of Ill.

Harold Import Co., Inc. Catalog, 1992, pp. 61–62, 66.
Have Gadgets . . . Will Travel Catalog, Date Unknown, p. 7.
Progressive International Corp. Distributor Price List, Jun. 1992, p. 18.
Pedrini Catalog, 1992, p. 40.

[73] Assignee: **The Pampered Chef, Ltd.**, Addison, Ill.

Primary Examiner—Mitchell Siegel
Attorney, Agent, or Firm—Olson & Hierl, Ltd.

[**] Term: **14 Years**

[21] Appl. No.: **29/084,300**

[57] **CLAIM**

[22] Filed: **Feb. 27, 1998**

The ornamental design for a masher tool, as shown and described.

[51] **LOC (7) Cl.** **07-04**

[52] **U.S. Cl.** **D7/682**

[58] **Field of Search** D7/682; 241/169.2;
30/322, 324, 346

DESCRIPTION

[56] **References Cited**

FIG. 1 is a perspective view of a masher tool showing our new design;
FIG. 2 is a top plan view thereof;
FIG. 3 is a right side elevational view thereof;
FIG. 4 is a front elevational view, the rear elevational view being a mirror image thereof;
FIG. 5 is a left side elevational view thereof; and,
FIG. 6 is a bottom plan view thereof.

U.S. PATENT DOCUMENTS

D. 43,064	9/1912	Streeter	D7/682
D. 203,858	2/1966	Hvale	D7/682
D. 255,636	7/1980	Kelly	D7/682
D. 291,761	9/1987	Hoehne	D7/682
3,352,340	11/1967	Hulterstrum	241/169.2

1 Claim, 2 Drawing Sheets

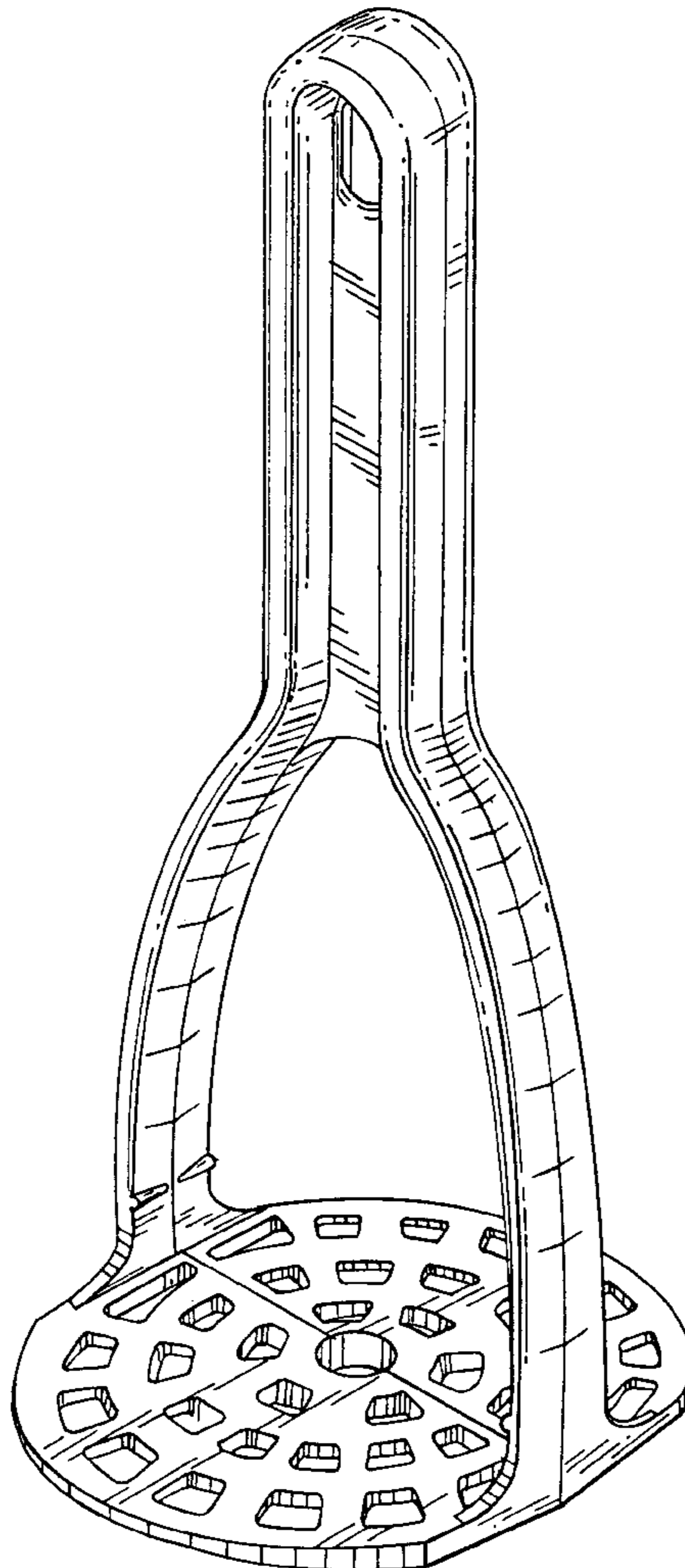


FIG. 1

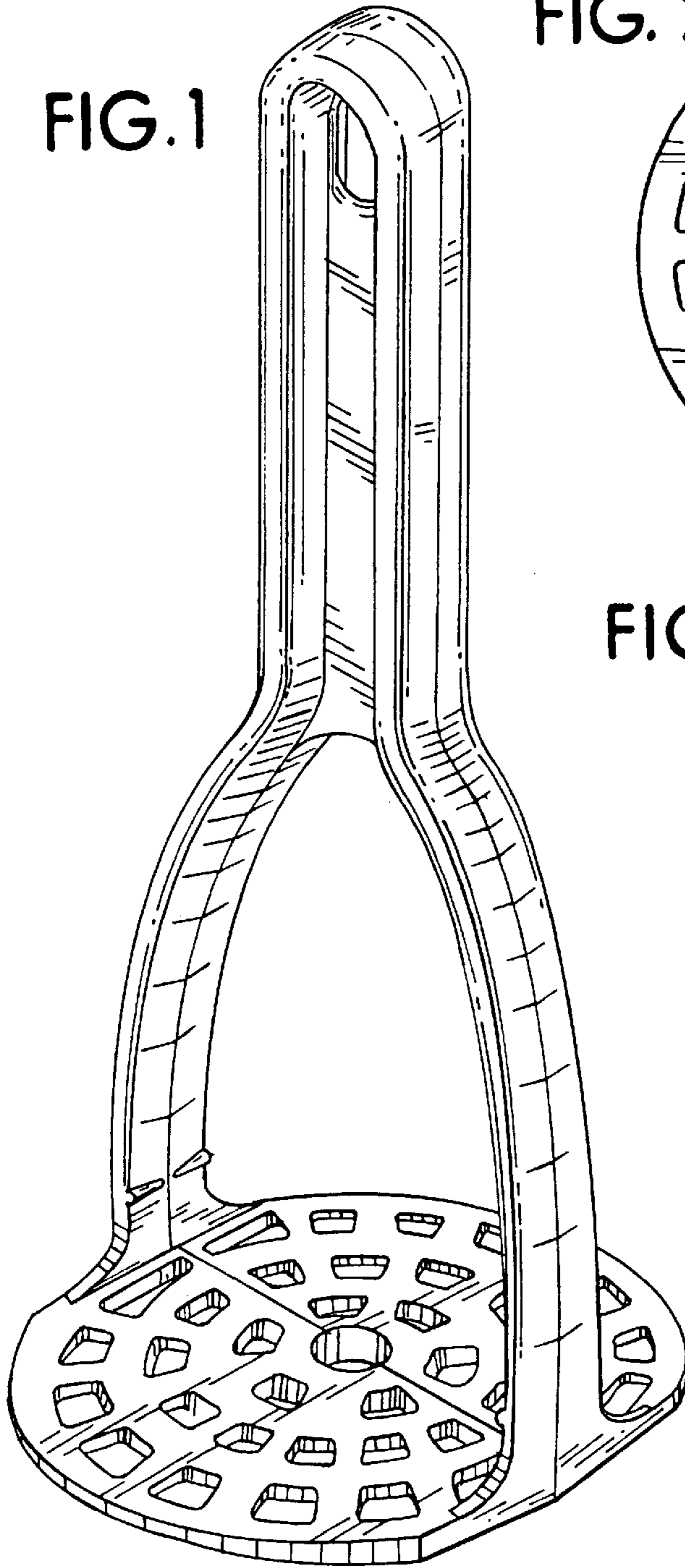


FIG. 2

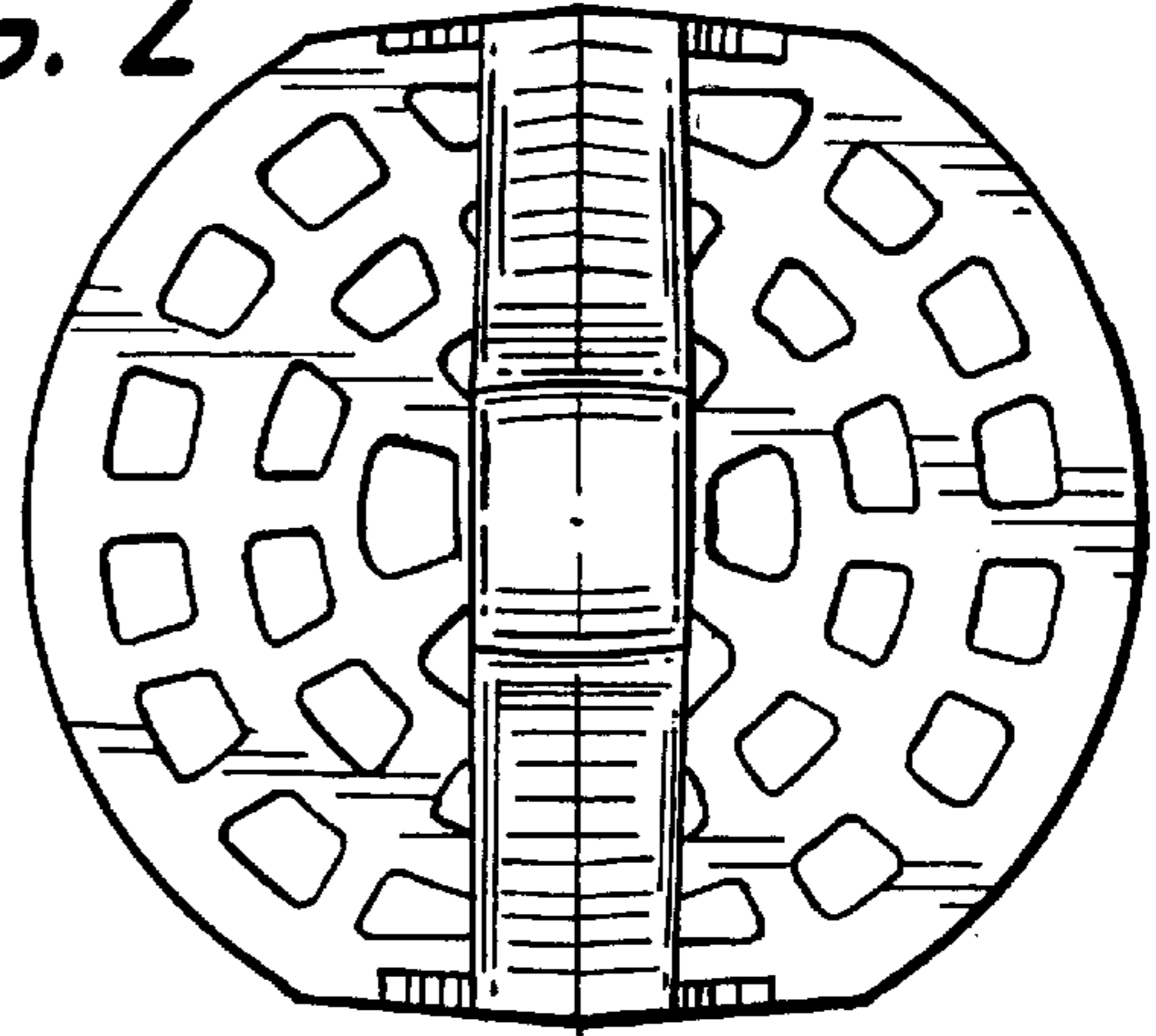


FIG. 3

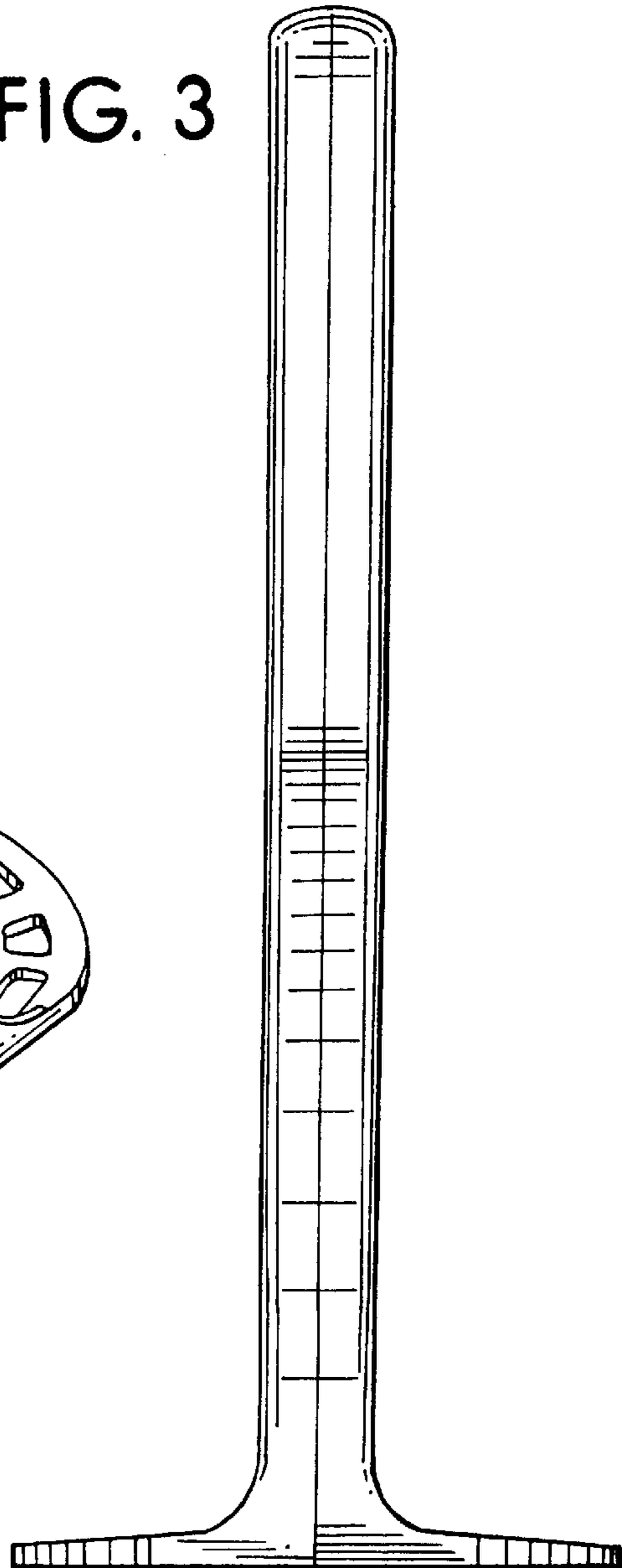


FIG. 4

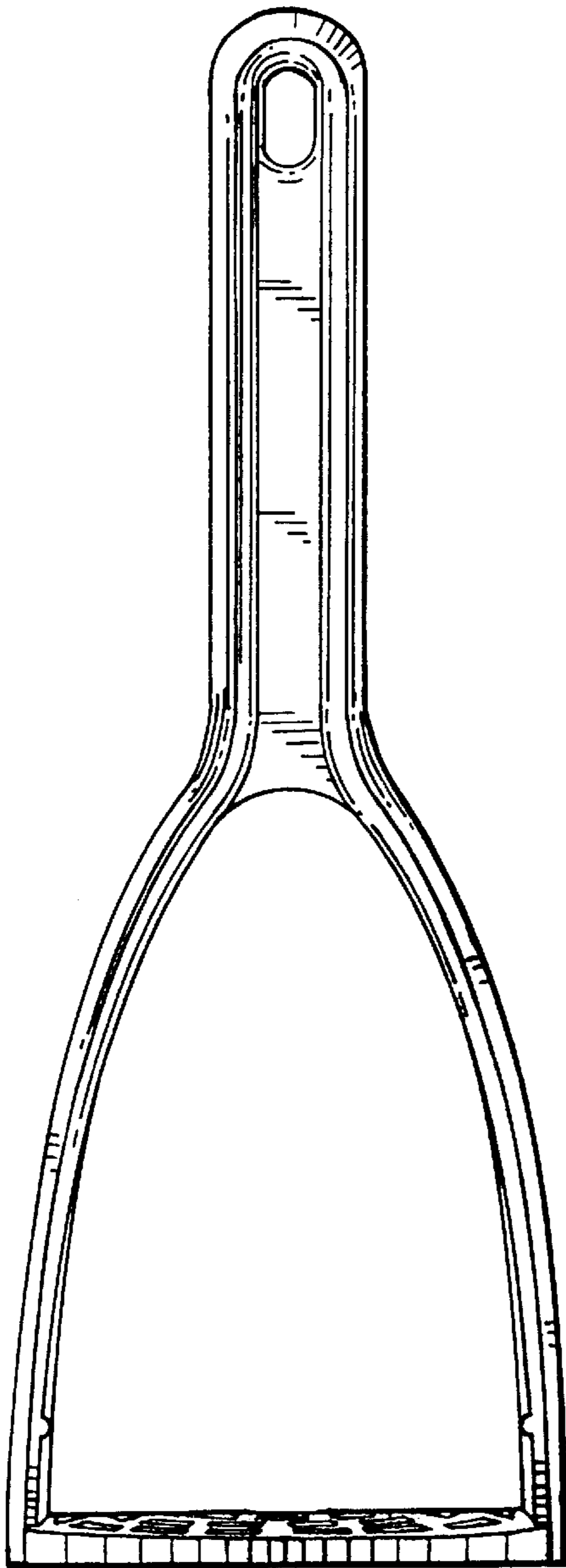


FIG. 6

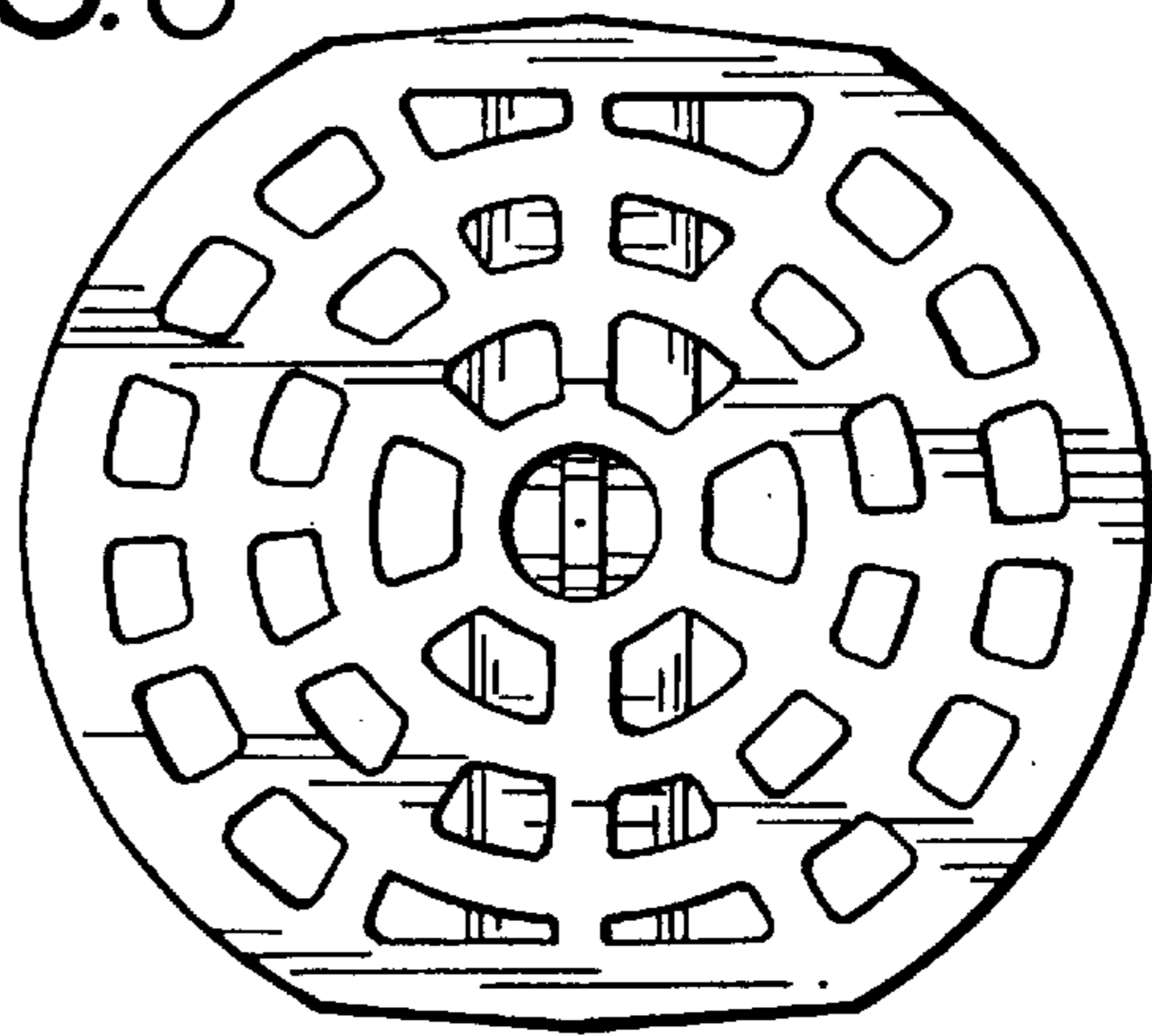


FIG. 5

