



US00D425756S

United States Patent [19]

Lipson

[11] Patent Number: **Des. 425,756**

[45] Date of Patent: **** May 30, 2000**

[54] **SPORTS BOTTLE AND ATTACHED STRAW**

[76] Inventor: **Erik Lipson**, 1530 Locust St., #10B, Philadelphia, Pa. 19102

[**] Term: **14 Years**

[21] Appl. No.: **29/101,843**

[22] Filed: **Mar. 11, 1999**

[51] **LOC (7) Cl.** **07-01**

[52] **U.S. Cl.** **D7/507; D3/202; D3/229**

[58] **Field of Search** D3/202, 229; D7/507; D9/307, 337, 536; 215/229, 374, 388; 220/705, 707, 709; 248/146

4,852,762	8/1989	Chou-Sheng	220/709
5,439,125	8/1995	Bloch	215/229
5,570,863	11/1996	Cooper	248/146

Primary Examiner—Celia Murphy
Attorney, Agent, or Firm—Gifford, Krass, Groh, Sprinkle, Anderson & Citkowski, P.C.

[57] CLAIM

The ornamental design for a sports bottle and attached straw, as shown and described.

DESCRIPTION

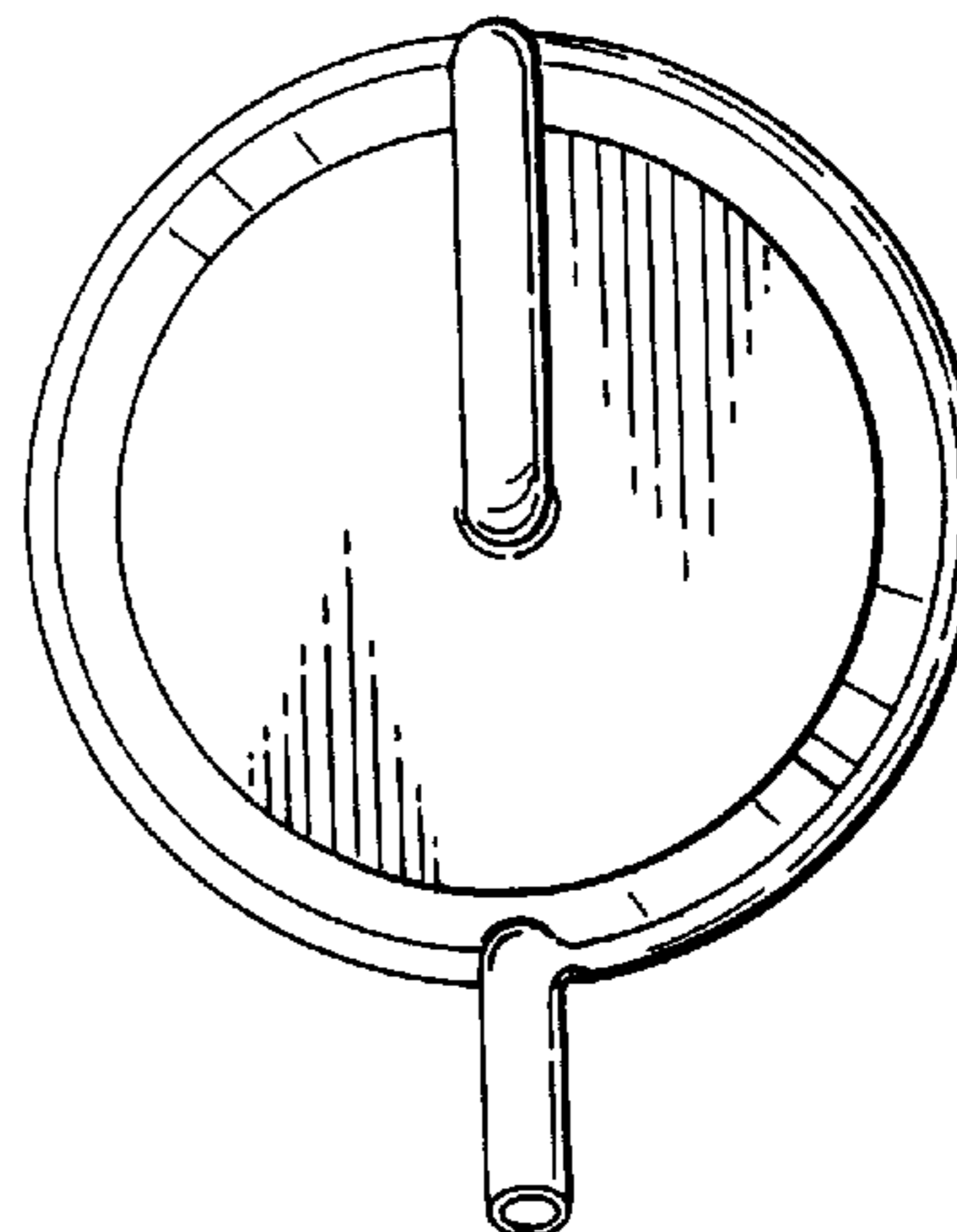
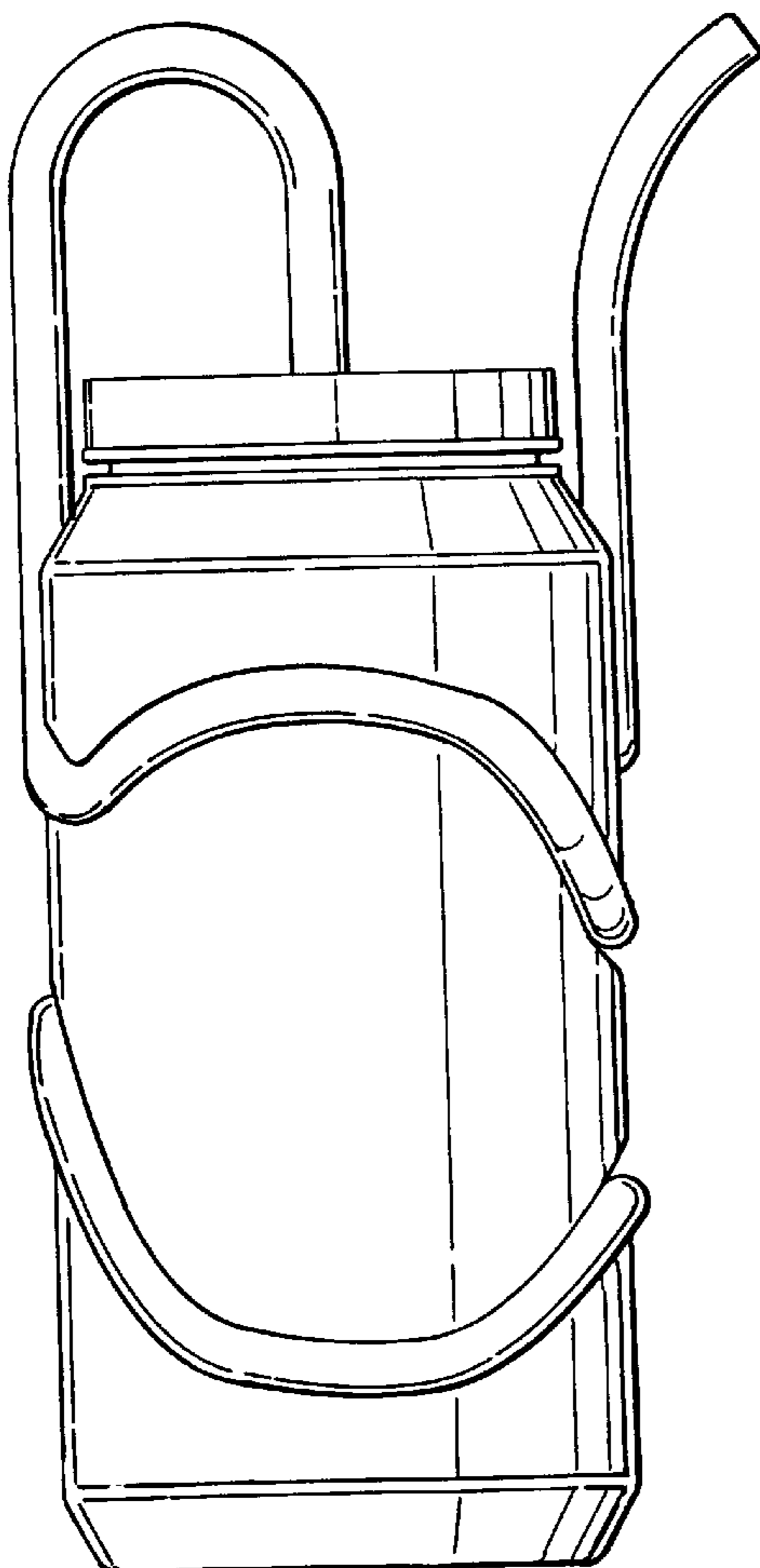
FIG. 1 is a front elevation view of a sports bottle and attached straw showing my new design;
FIG. 2 is a rear elevation view of the sports bottle and attached straw shown in FIG. 1;
FIG. 3 is a left side elevation view of the sports bottle and attached straw of FIG. 2;
FIG. 4 is a right side elevation view of the sports bottle and attached straw of FIG. 1;
FIG. 5 is a top view of the sports bottle and attached straw of FIG. 1; and,
FIG. 6 is a bottom view of the sports bottle and attached straw of FIG. 1.

[56] References Cited

U.S. PATENT DOCUMENTS

D. 269,659	7/1983	Holloway	D7/507
D. 279,250	6/1985	Holloway	D7/507
D. 330,284	10/1992	Klien et al.	D3/202
D. 360,558	7/1995	Appleman	D7/507
D. 407,946	4/1999	Brewer et al.	D7/510
3,384,257	5/1968	Fourqurean	215/388
4,191,302	3/1980	Fiducia	220/205
4,428,490	1/1984	Holloway	215/374

1 Claim, 2 Drawing Sheets



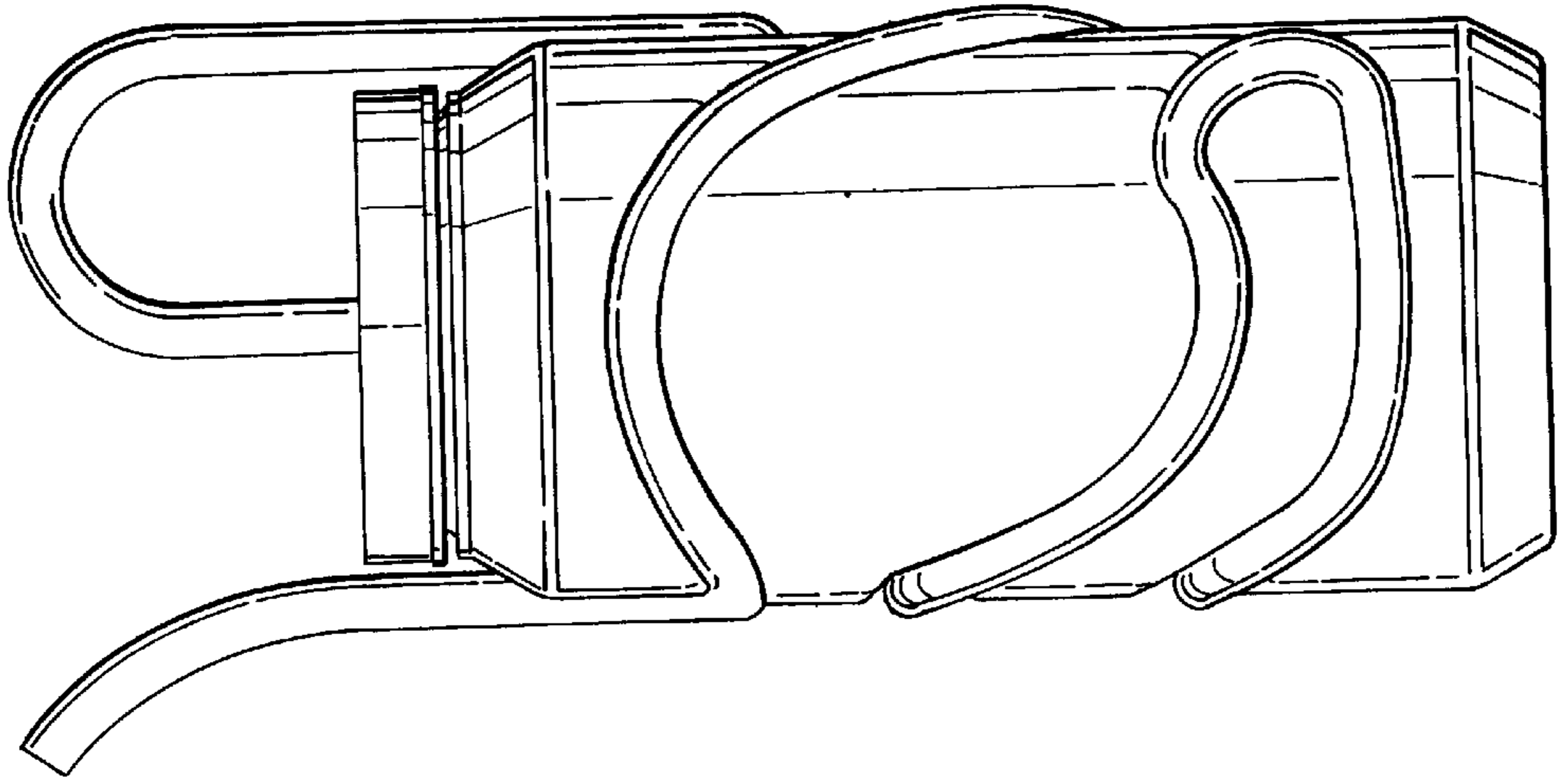


FIG-3

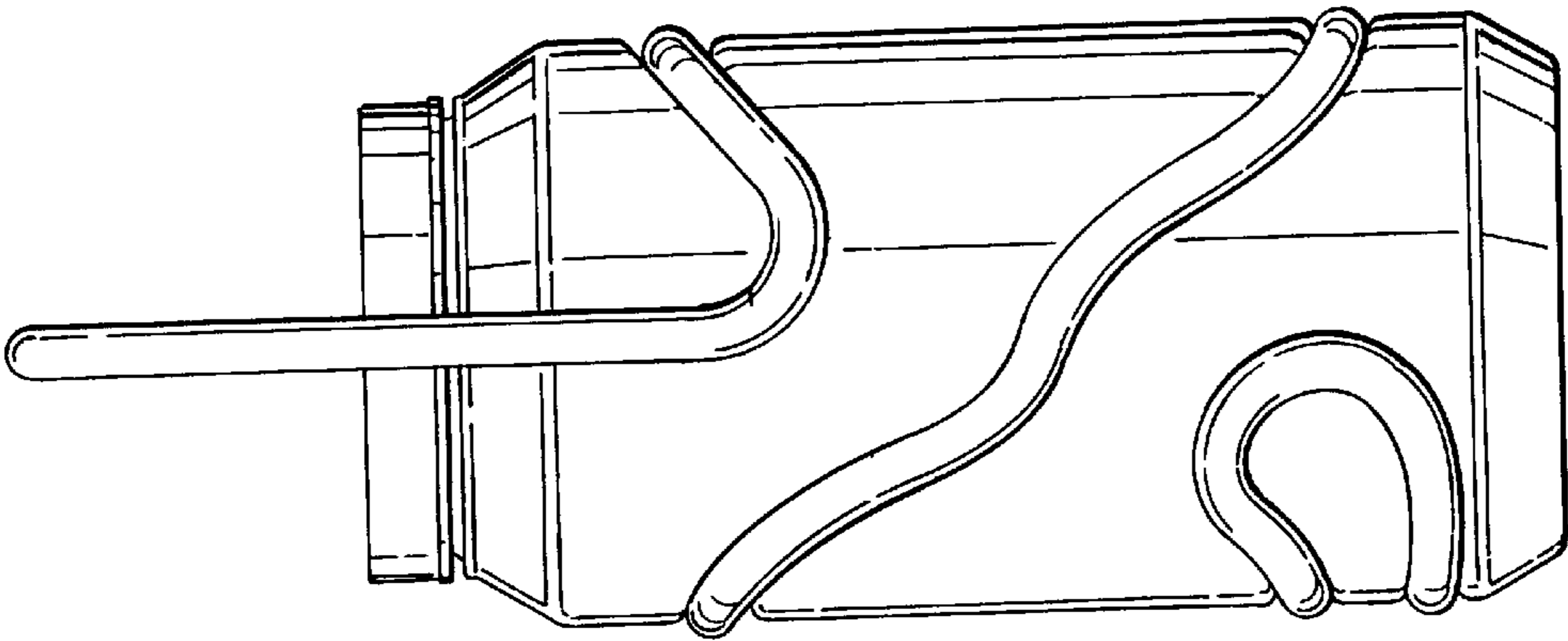


FIG-2

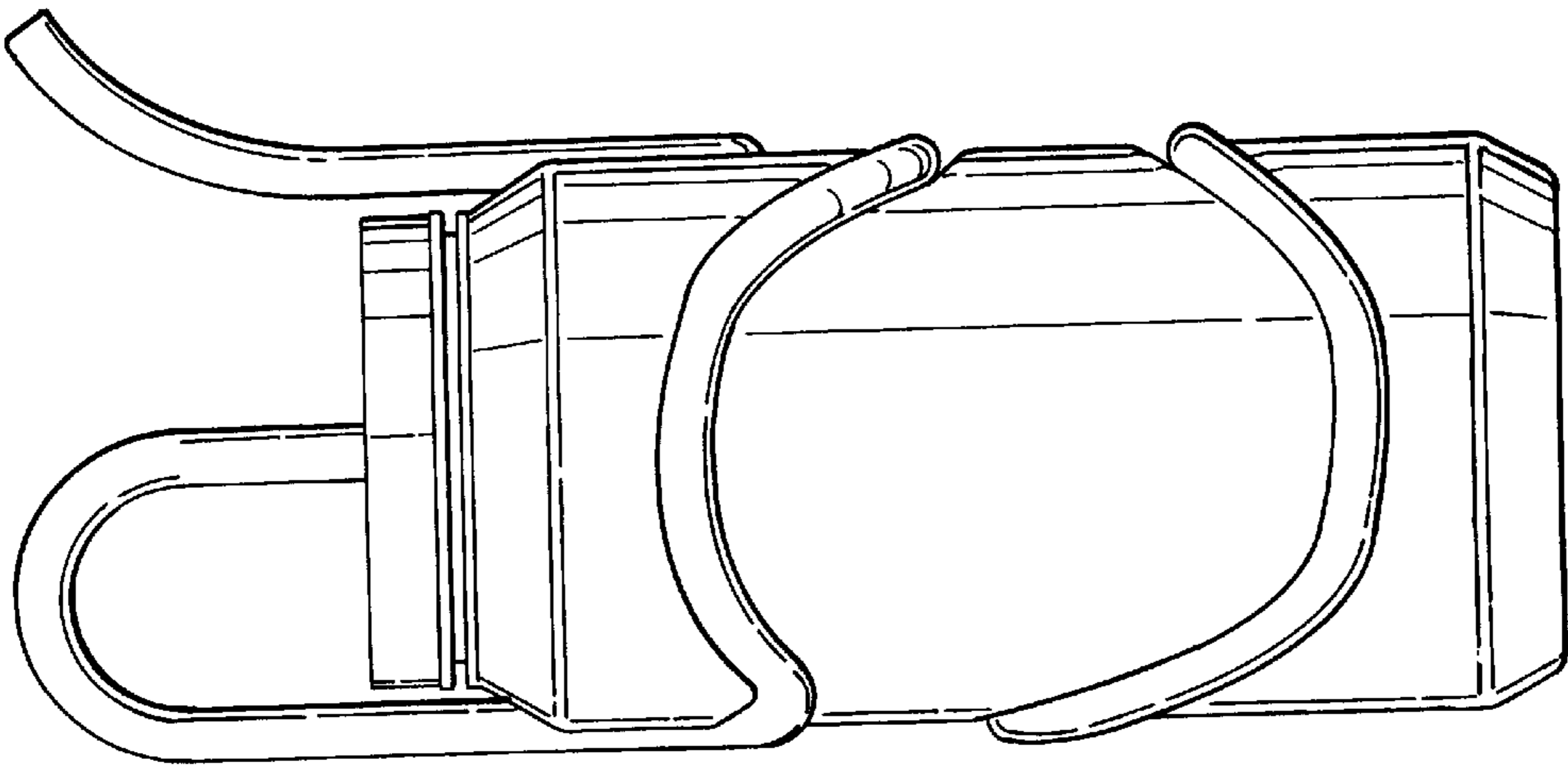


FIG-1

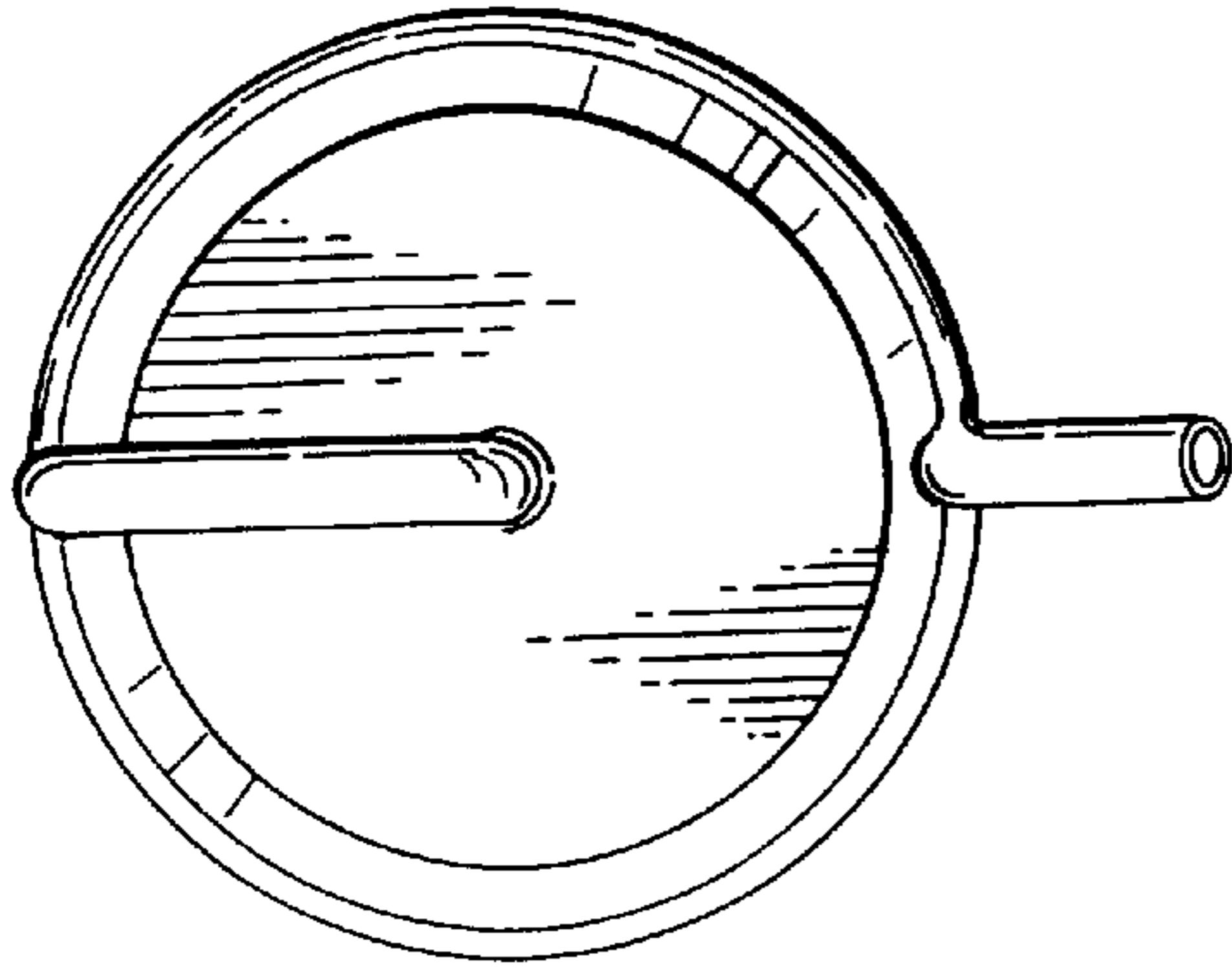


FIG-5

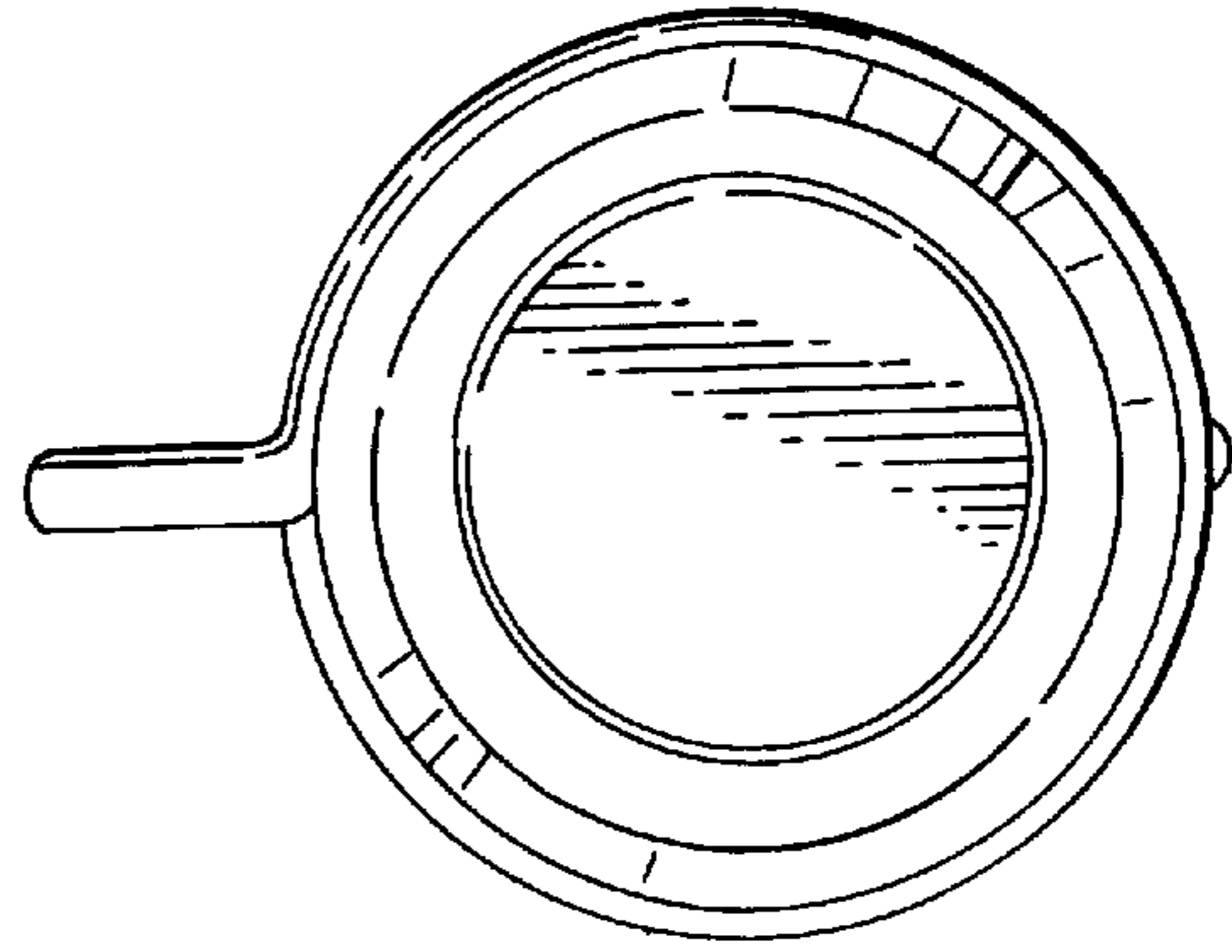


FIG-6

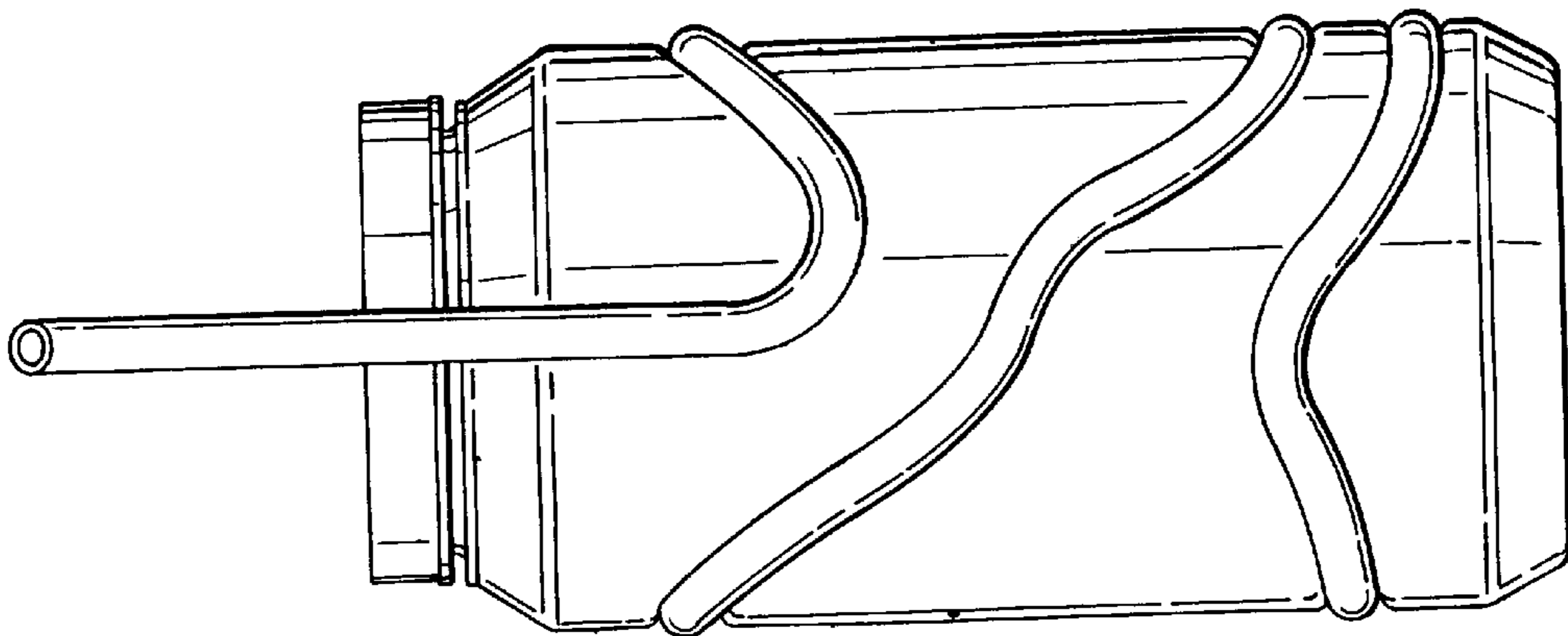


FIG-4