



US00D425751S

# United States Patent [19]

Yu et al.

[11] **Patent Number: Des. 425,751**

[45] **Date of Patent: \*\* May 30, 2000**

[54] **COVER FOR COOKING VESSEL**

[75] Inventors: **Jai Won Yu**, Seoul, Rep. of Korea;  
**Hyun Seok Kim**, Mt. Prospect, Ill.

[73] Assignees: **Saekwang Aluminum Co. Ltd.**, Ansan, Rep. of Korea; **Master Cookware Corp.**, Chicago, Ill.

[\*\*] Term: **14 Years**

[21] Appl. No.: **29/100,089**

[22] Filed: **Feb. 3, 1999**

[51] **LOC (7) Cl.** ..... **07-02**

[52] **U.S. Cl.** ..... **D7/391**

[58] **Field of Search** ..... D7/323, 354-361,  
D7/387, 391, 392.1; 99/324, 341; 220/573.1,  
200, 731, 912

[56] **References Cited**

**U.S. PATENT DOCUMENTS**

D. 86,400 3/1932 Osius ..... D7/360

D. 86,402 3/1932 Osius ..... D7/360  
D. 347,142 5/1994 Falvo ..... D7/391  
D. 364,533 11/1995 Brophy ..... D7/387  
2,932,293 4/1960 Rassieur ..... D7/354 X  
4,782,745 11/1988 George, Jr. .... D7/354 X

*Primary Examiner*—Caron D. Veynar

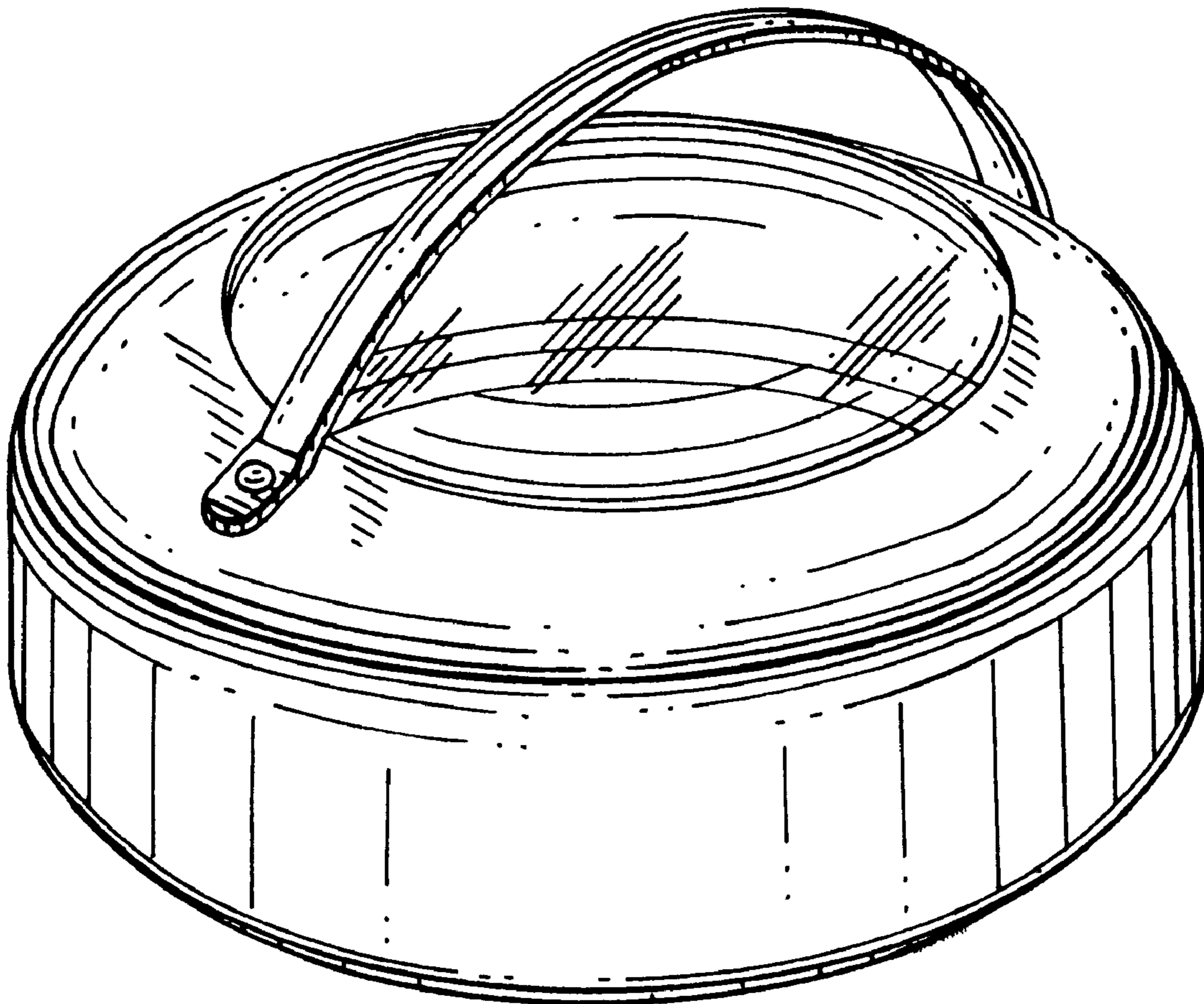
[57] **CLAIM**

The ornamental design for cover for cooking vessel, as shown and deccribed.

**DESCRIPTION**

FIG. 1 is a front view (rear view the same) of the cover for cooking vessel showing my new design;  
FIG. 2 is a right view (left view the same) thereof;  
FIG. 3 is a top view thereof;  
FIG. 4 is a bottom view thereof;  
FIG. 5 is a perspective view thereof; and,  
FIG. 6 is a cross section view taken along line 6—6 in FIG. 2.

**1 Claim, 5 Drawing Sheets**



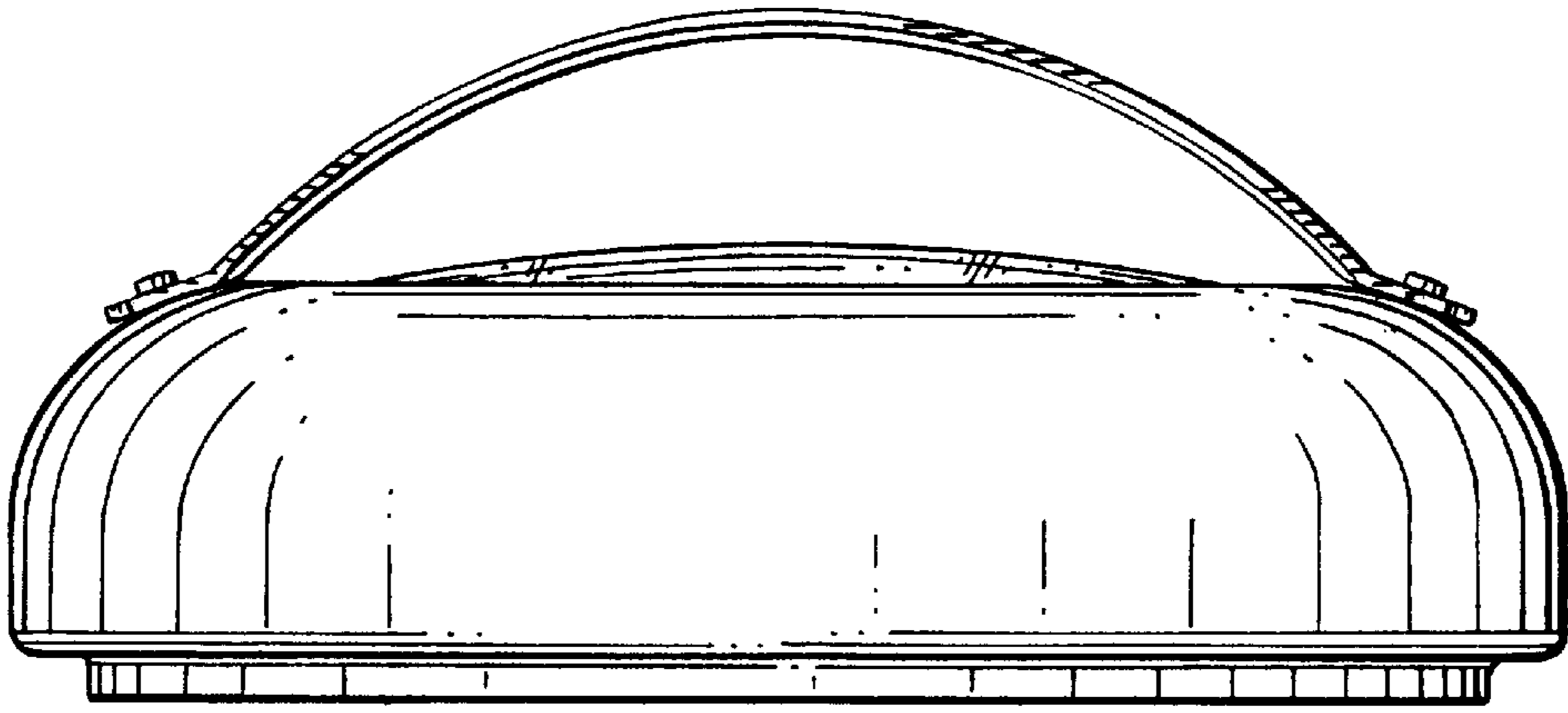


FIG. 1

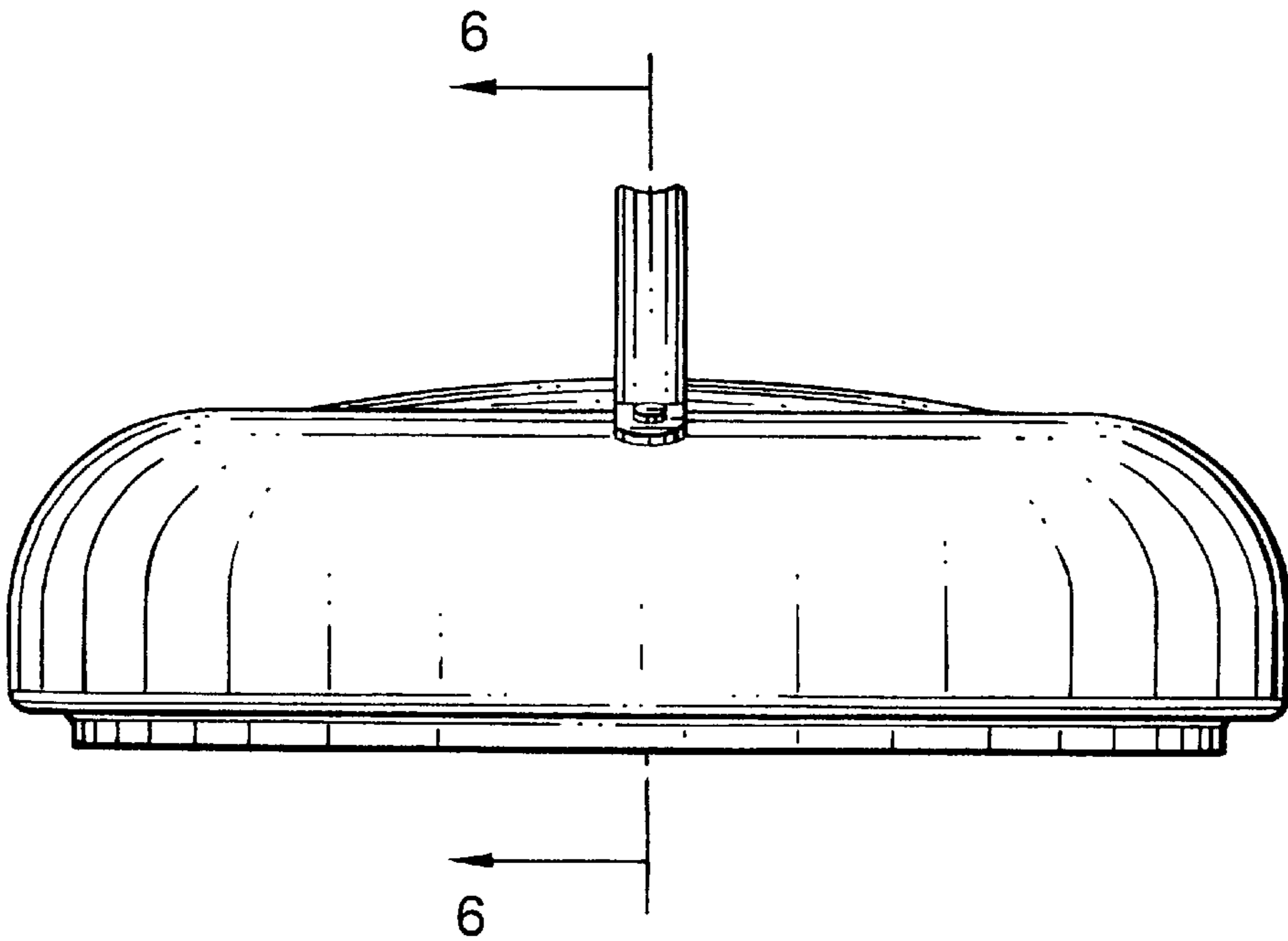


FIG. 2

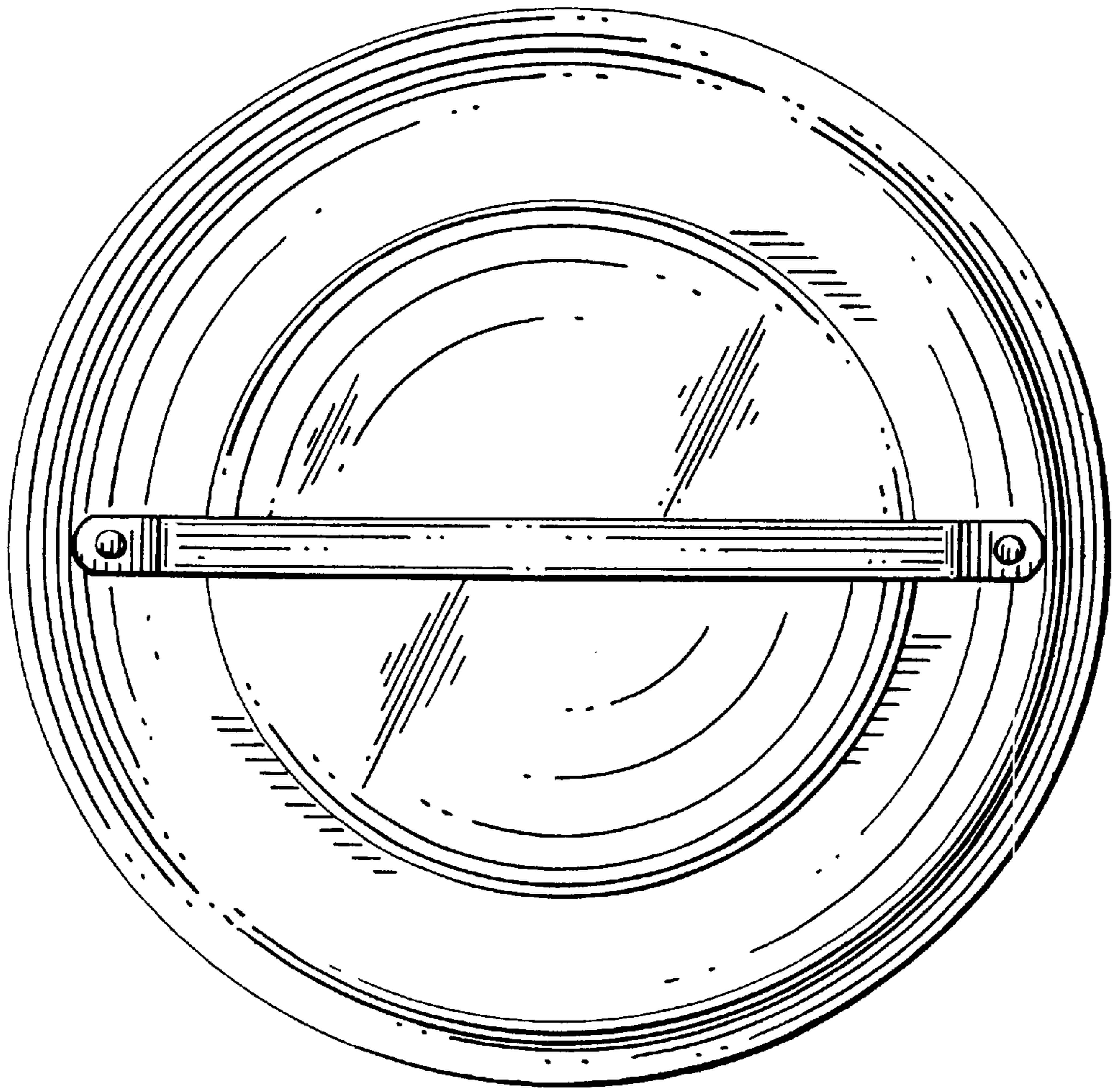


FIG. 3

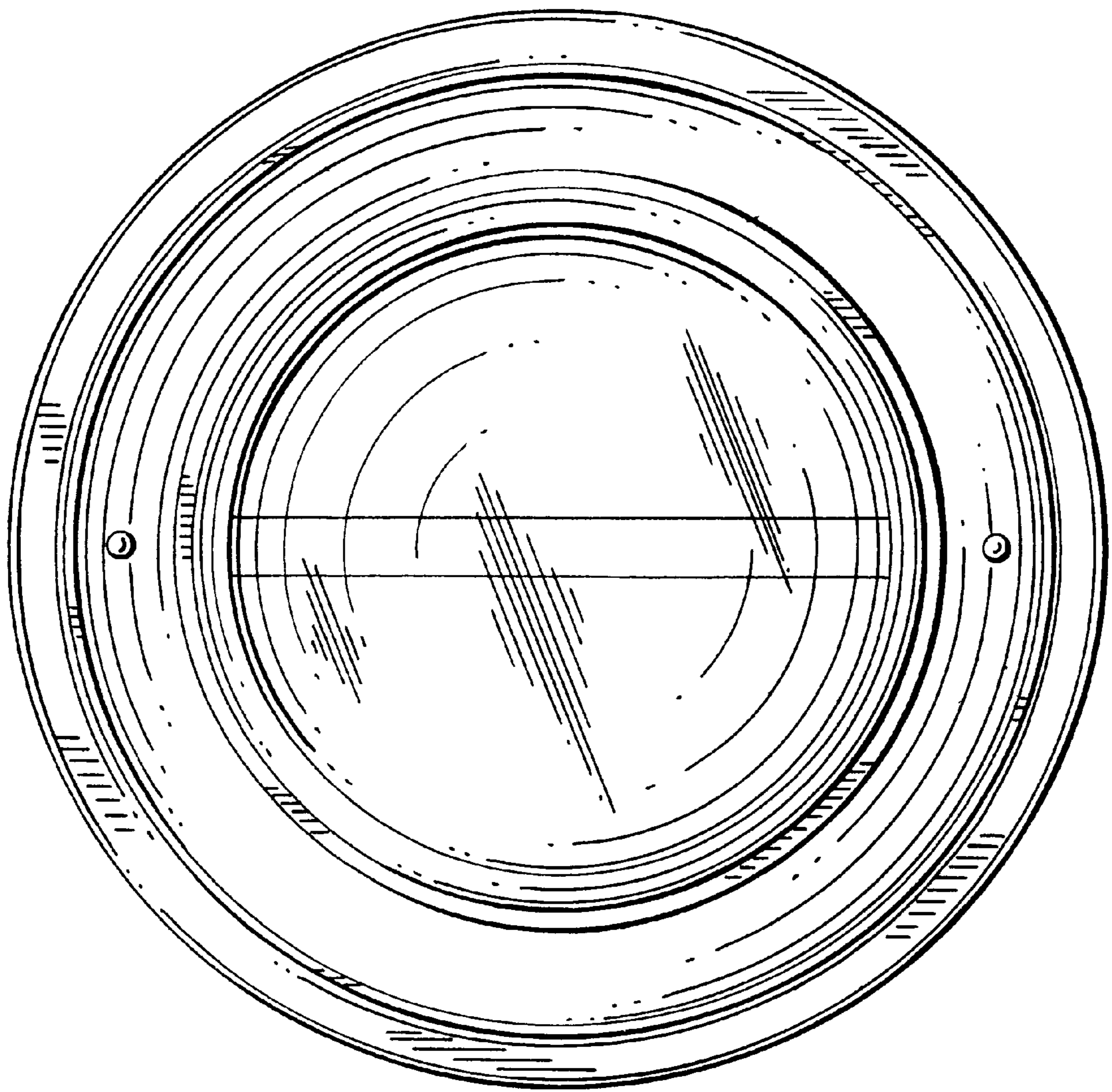


FIG. 4

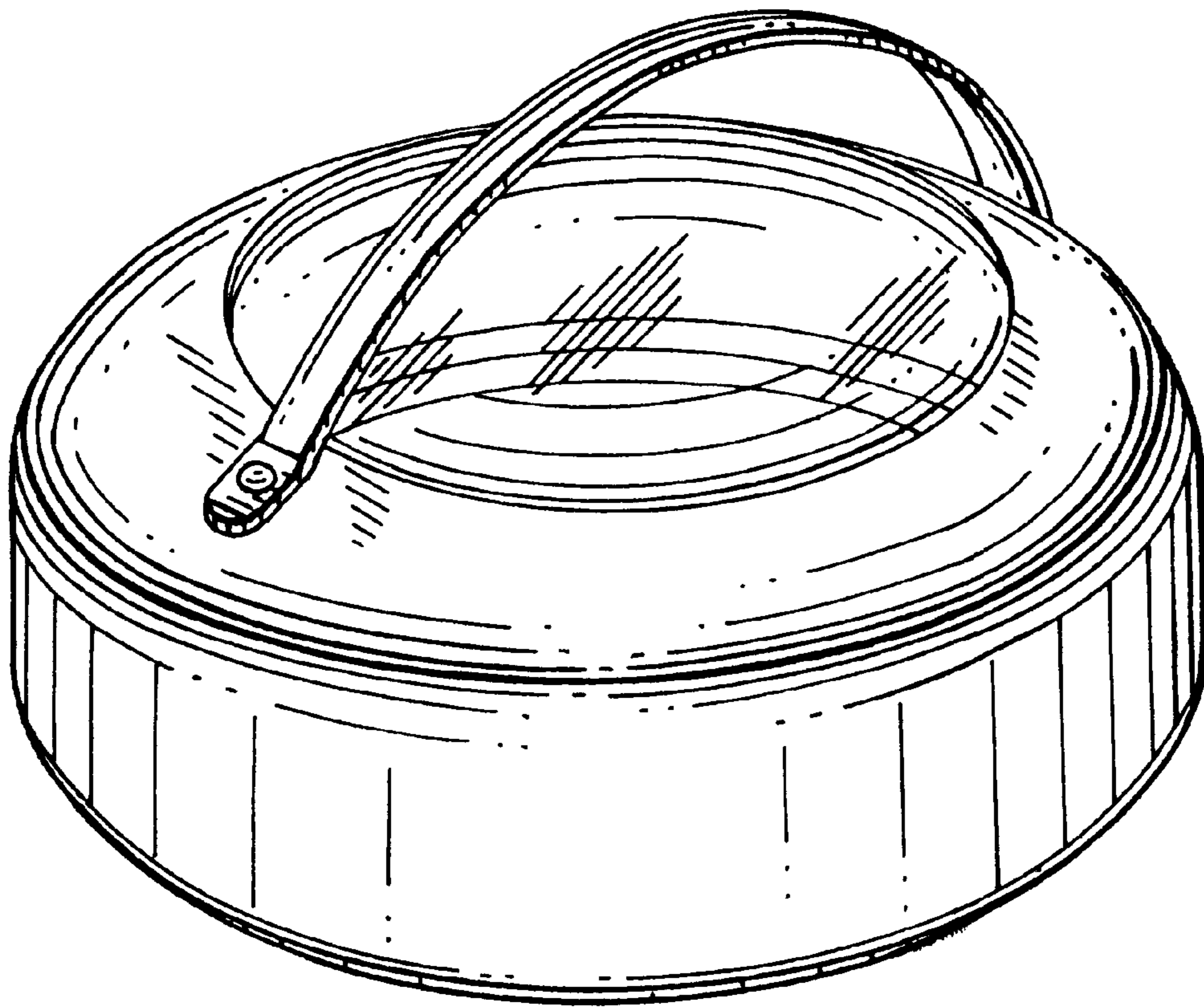


FIG. 5

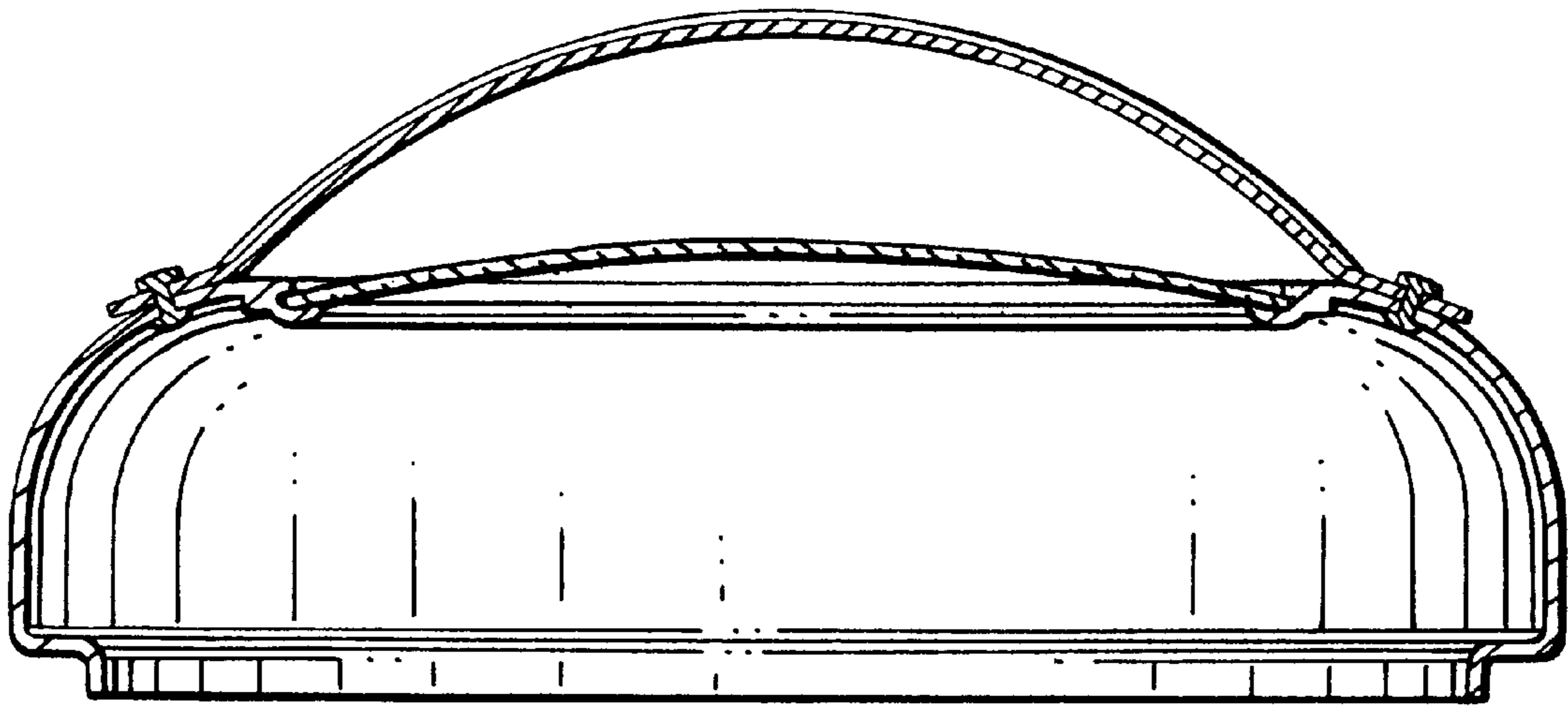


FIG. 6