



US00D425750S

**United States Patent** [19]  
**Koike**

[11] **Patent Number: Des. 425,750**  
[45] **Date of Patent: \*\* May 30, 2000**

[54] **MICROWAVE OVEN**

[75] **Inventor: Takeo Koike**, Nara-ken, Japan

[73] **Assignee: Sharp Kabushiki Kaisha**, Osaka, Japan

[\*\*] **Term: 14 Years**

[21] **Appl. No.: 29/101,214**

[22] **Filed: Feb. 26, 1999**

[51] **LOC (7) Cl. .... 07-02**

[52] **U.S. Cl. .... D7/351**

[58] **Field of Search .... D7/350-351, 402;**  
126/273 R, 273 A, 275 R, 275 E, 19 M,  
21 A; 219/678, 680, 756-758

- D. 367,991 3/1996 Saimen .
- D. 367,992 3/1996 Saimen .
- D. 368,405 4/1996 Tada .
- D. 368,406 4/1996 Nakamura .
- D. 373,502 9/1996 Fujii et al. .
- D. 378,723 4/1997 Weiss ..... D7/351
- D. 380,644 7/1997 Tsuda et al. .... D7/351
- D. 390,411 2/1998 Nakagawa .
- D. 390,412 2/1998 Takimoto .
- D. 411,074 6/1999 Sakai et al. .... D7/351
- D. 412,807 8/1999 Noda et al. .... D7/351

*Primary Examiner*—Ruth McInroy  
*Attorney, Agent, or Firm*—Nixon & Vanderhye

[57] **CLAIM**

The ornamental design for a microwave oven, as shown and described.

[56] **References Cited**

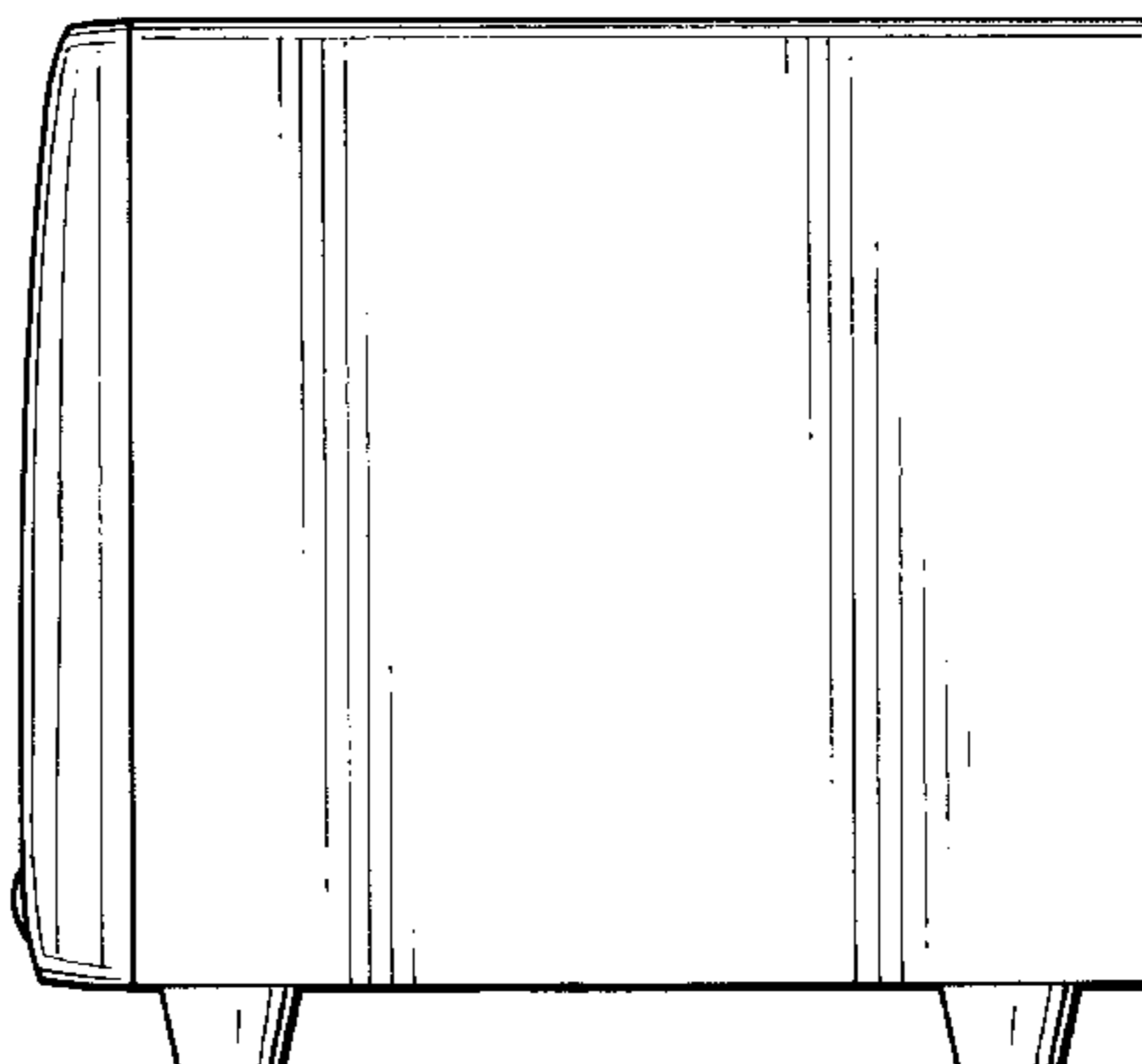
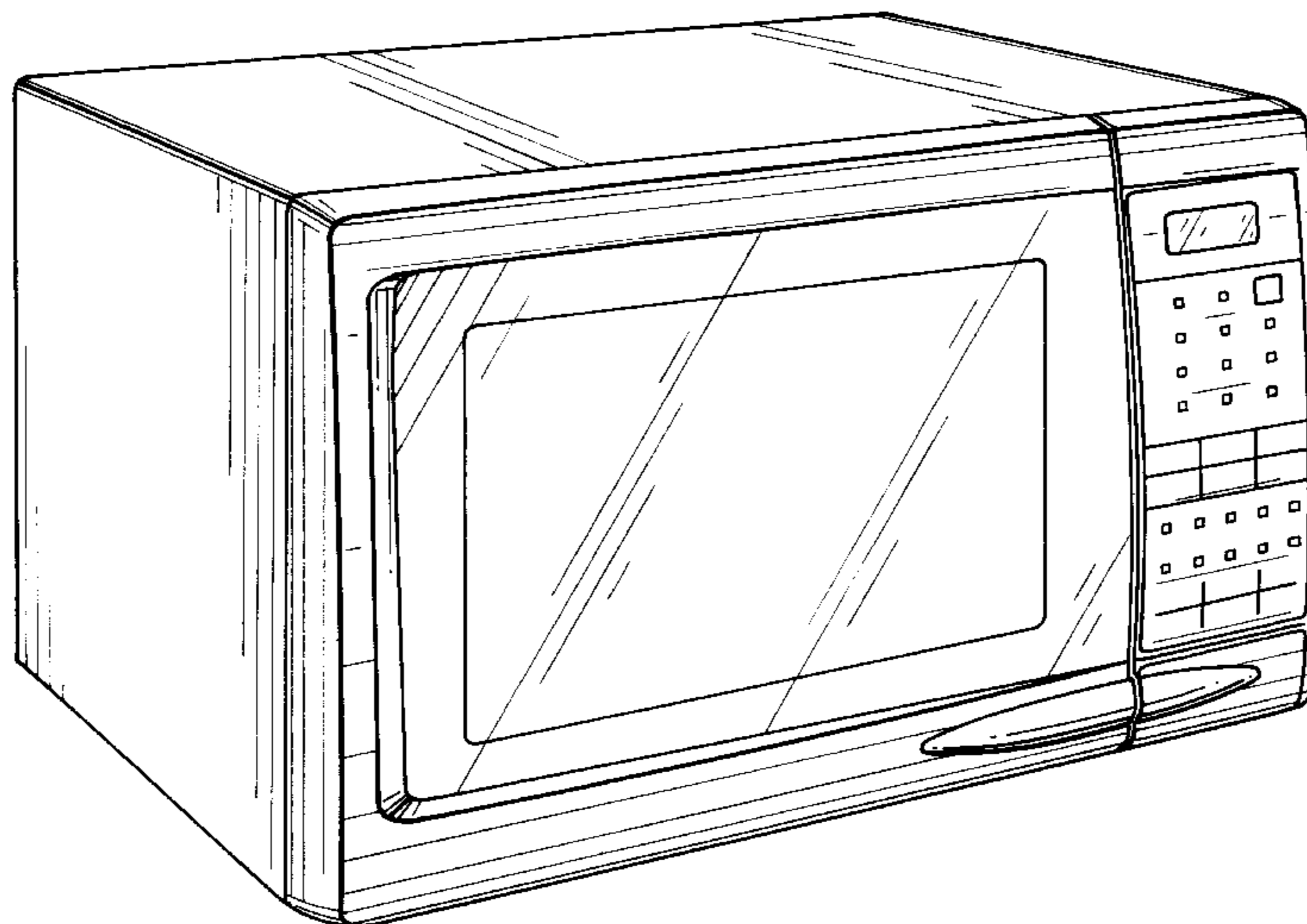
**U.S. PATENT DOCUMENTS**

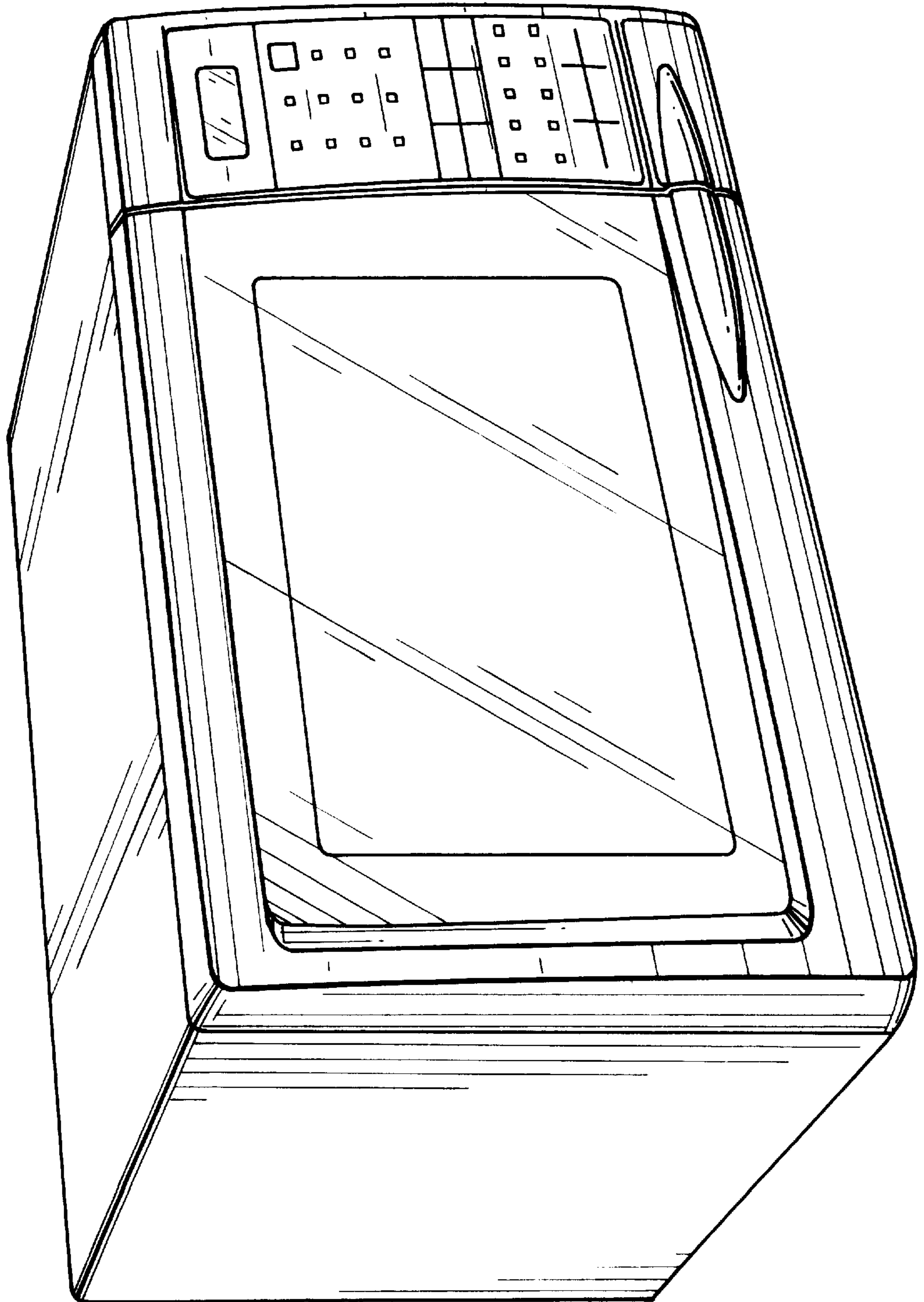
- D. 323,953 2/1992 Kubo et al. .... D7/351
- D. 329,353 9/1992 Yamada .
- D. 334,688 4/1993 Kitae et al. .
- D. 335,064 4/1993 Sugiyama et al. .
- D. 352,636 11/1994 Nakamura .
- D. 353,510 12/1994 Nakamura .
- D. 353,511 12/1994 Saimen .
- D. 353,512 12/1994 Saimen et al. .
- D. 356,006 3/1995 Saimen et al. .
- D. 357,159 4/1995 Mitsui et al. .

**DESCRIPTION**

FIG. 1 is a top, front and left side perspective view of a microwave oven showing my new design;  
FIG. 2 is a top plan view thereof;  
FIG. 3 is a front elevational view thereof;  
FIG. 4 is a right side elevational view thereof;  
FIG. 5 is a left side elevational view thereof;  
FIG. 6 is a rear elevational view thereof; and,  
FIG. 7 is a bottom plan view thereof.

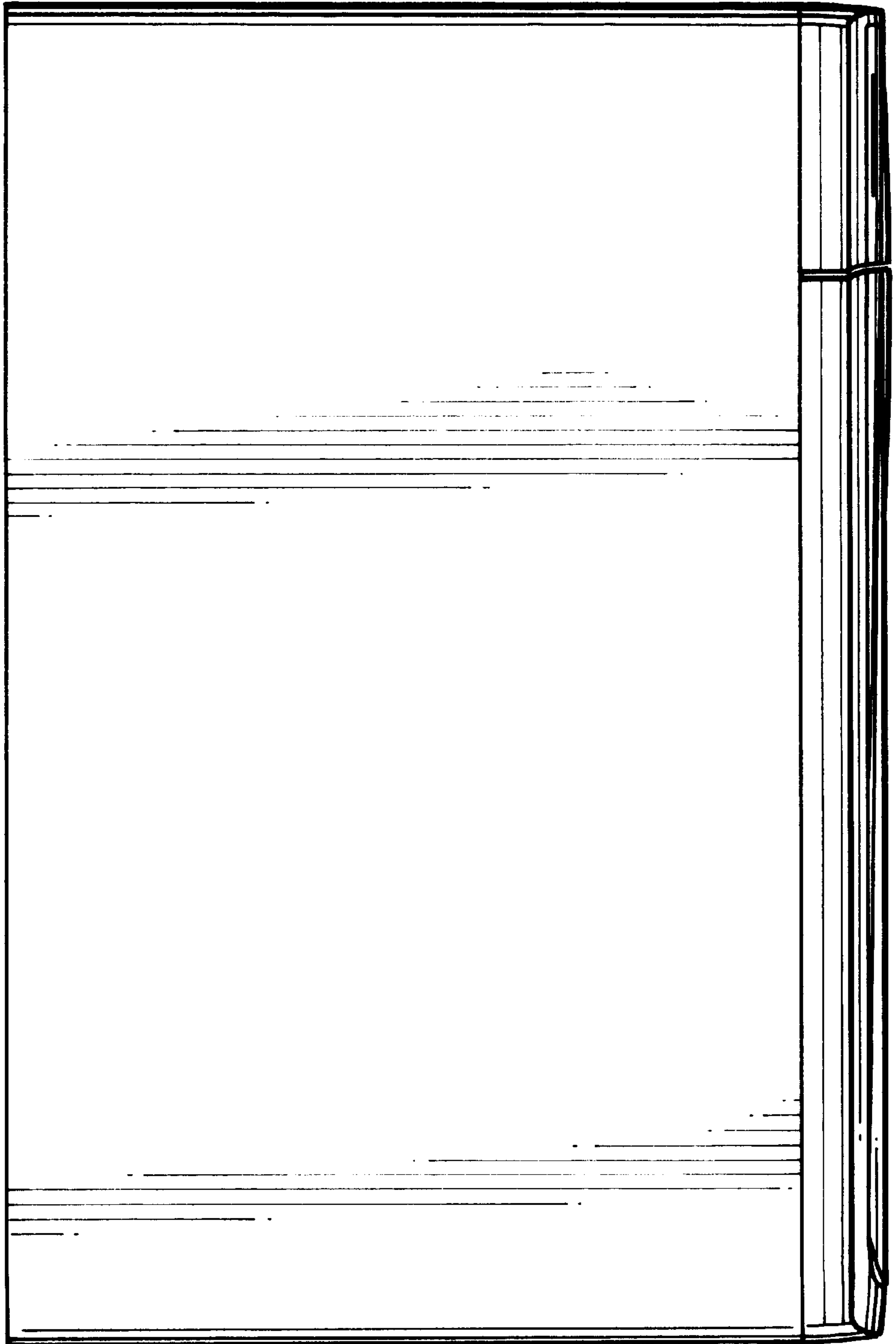
**1 Claim, 6 Drawing Sheets**



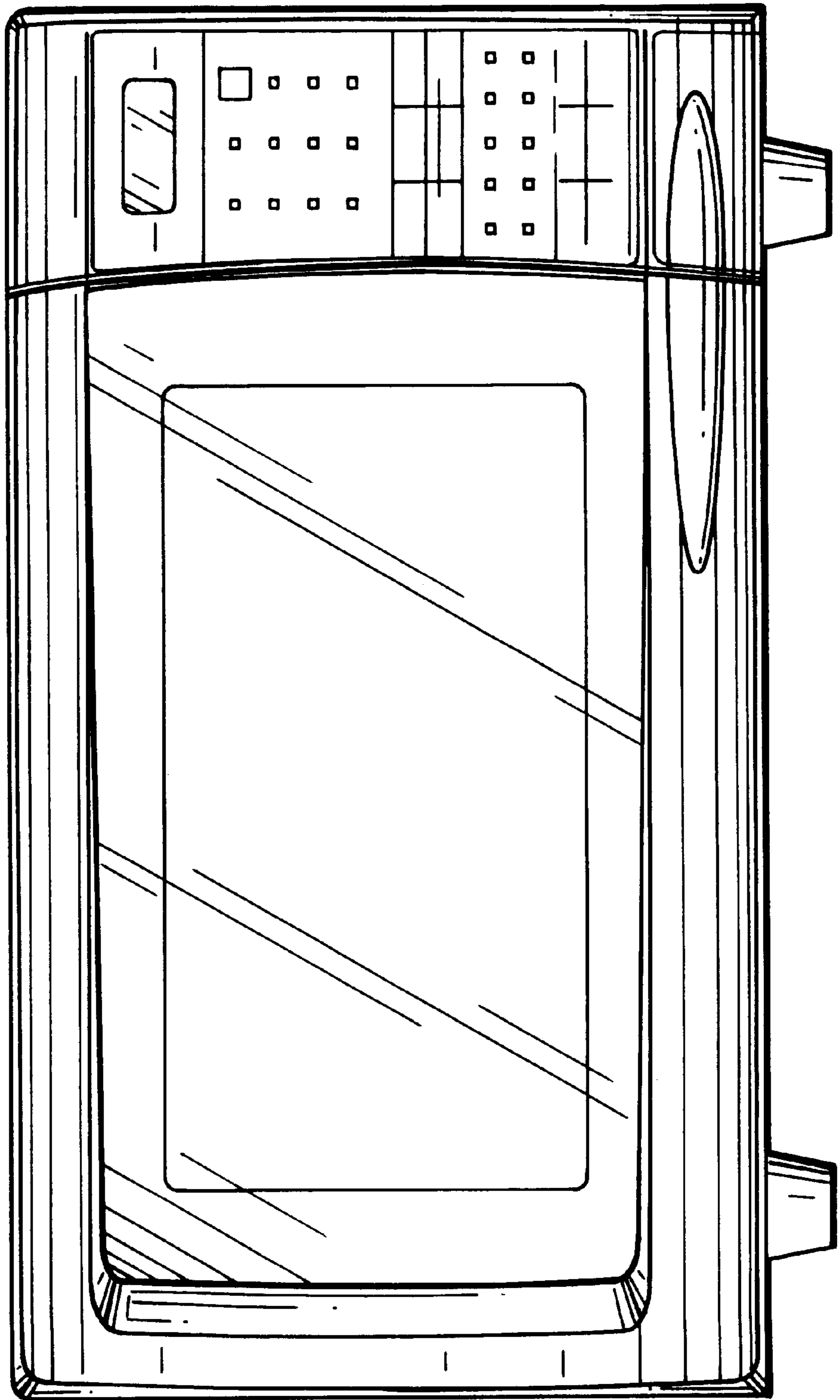


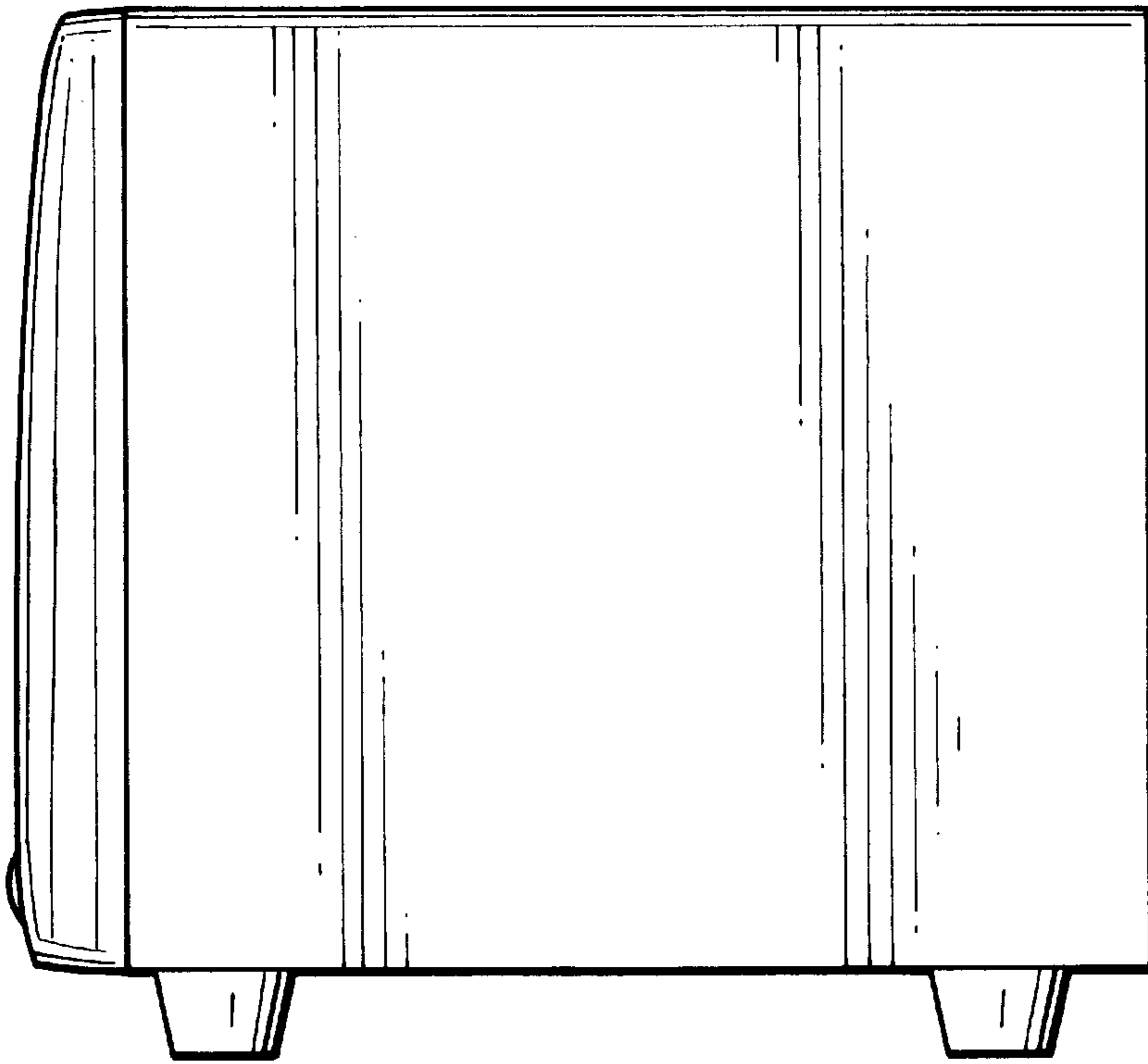
**FIG. 1**

**FIG. 2**

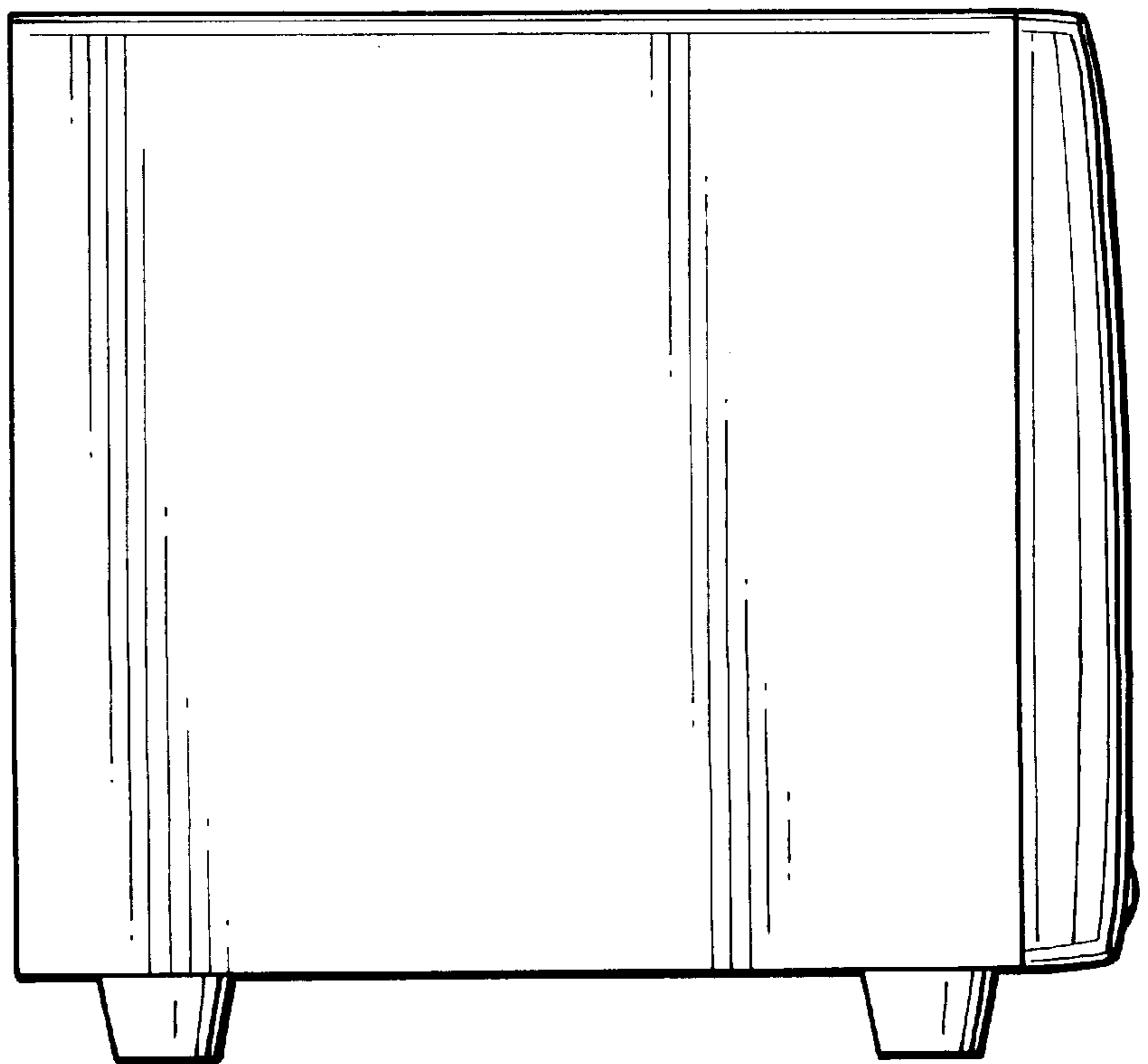


**FIG. 3**



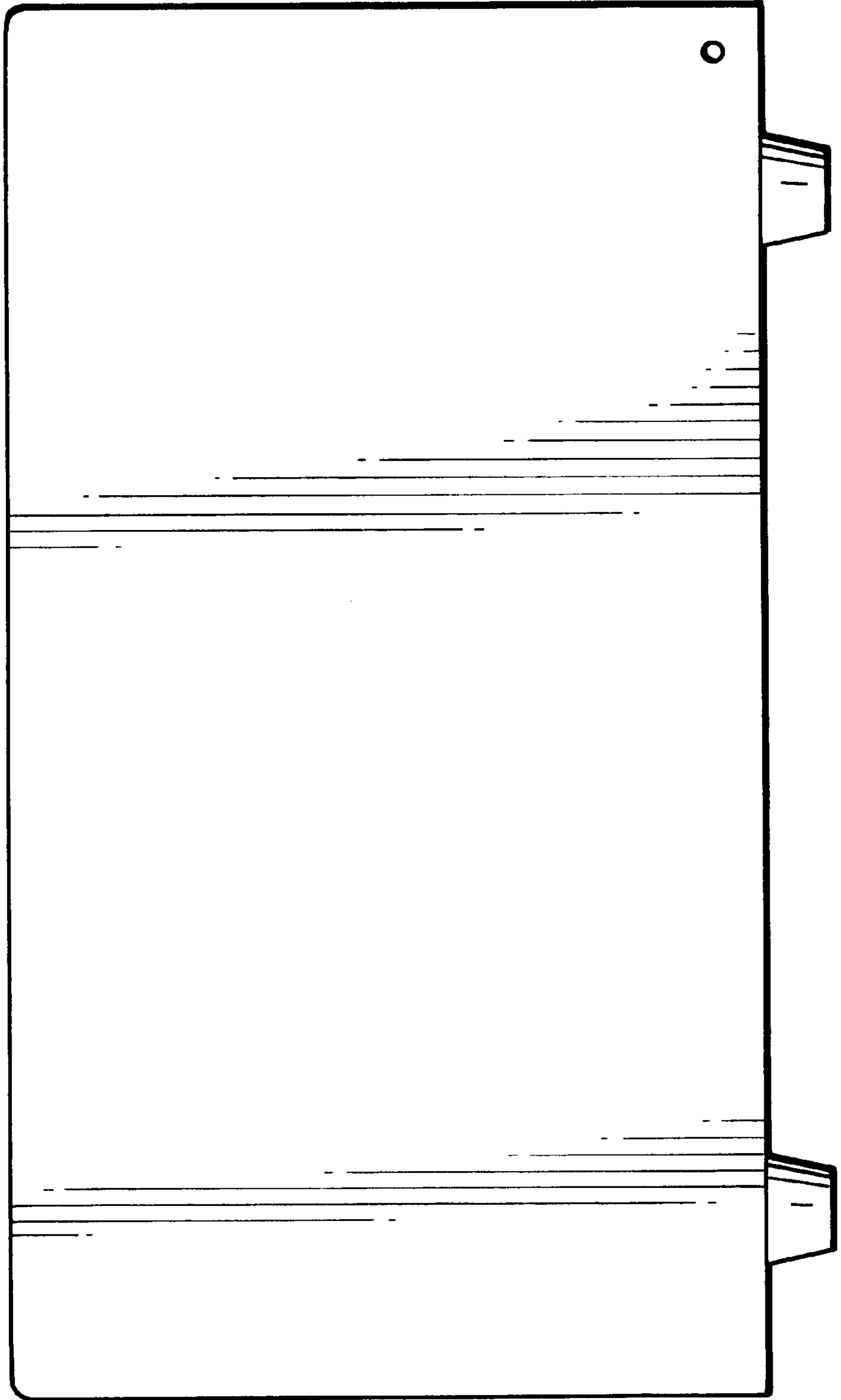


**FIG. 4**



**FIG. 5**

**FIG. 6**



**FIG. 7**

