



US00D425743S

United States Patent [19] Duggan

[11] **Patent Number: Des. 425,743**

[45] **Date of Patent: ** May 30, 2000**

[54] **TOWEL RING**

D. 293,184 12/1987 Chap D6/546

[75] Inventor: **Michael P. Duggan**, Brookside, N.J.

Primary Examiner—Brian N. Vinson
Attorney, Agent, or Firm—Edgar A. Zarins; Lloyd D. Doigan

[73] Assignee: **Melard Manufacturing Corp.**, Passaic, N.J.

[**] Term: **14 Years**

[57] **CLAIM**

The ornamental design for a towel ring, as shown and described.

[21] Appl. No.: **29/106,848**

[22] Filed: **Jun. 22, 1999**

DESCRIPTION

[51] **LOC (7) Cl.** **07-07**

FIG. 1 is a perspective view of a towel ring showing my new design;

[52] **U.S. Cl.** **D6/546**

FIG. 2 is a front elevational view thereof;

[58] **Field of Search** D6/546, 550; D8/367; 211/13.1, 16, 86-88, 123, 181.1; 248/176, 305.1, 315

FIG. 3 is a rear elevational view thereof;

FIG. 4 is a left side view thereof, the opposite side being a mirror image of the side shown;

FIG. 5 is a top plan view thereof; and,

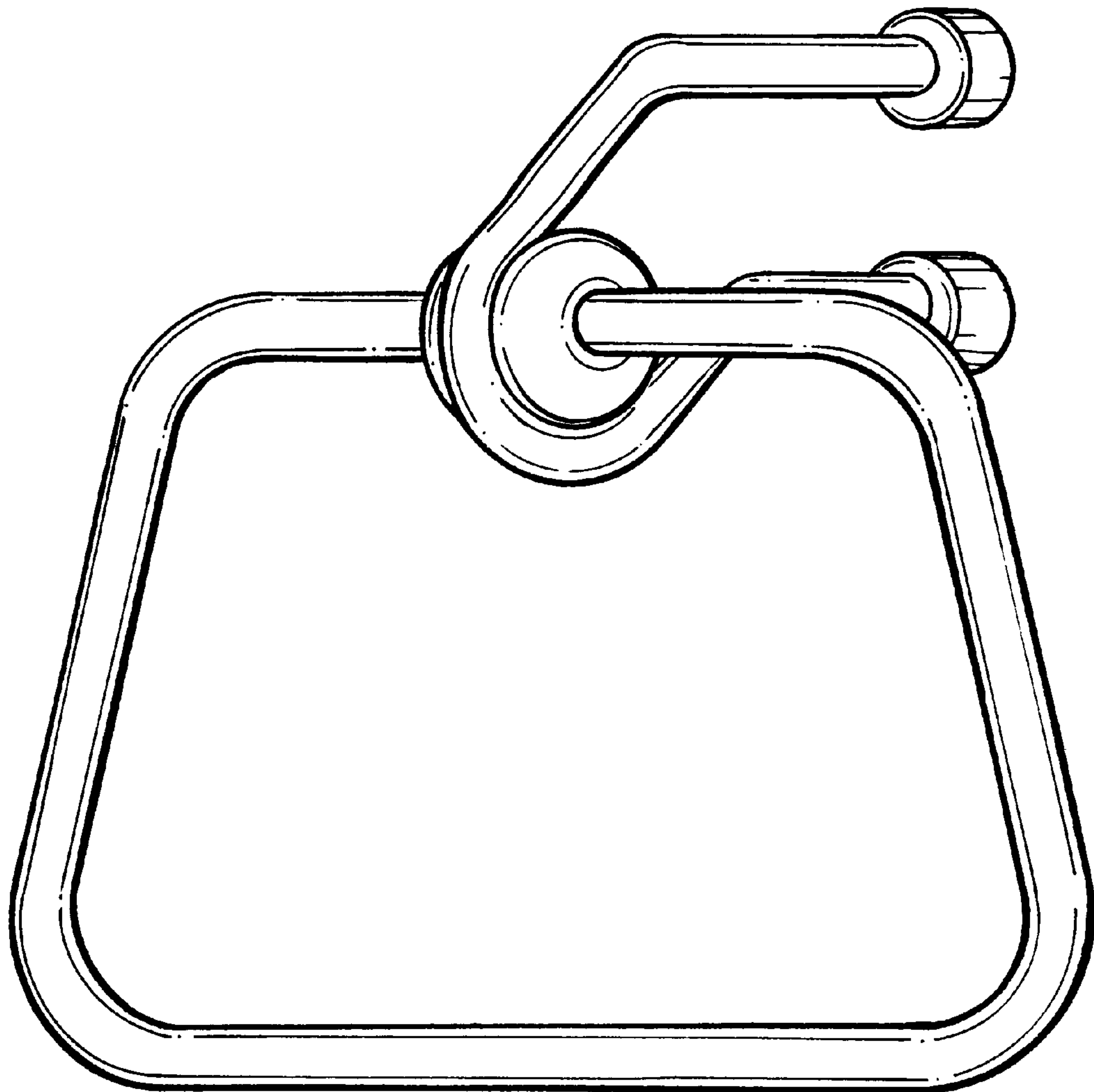
FIG. 6 is a bottom plan view thereof.

[56] **References Cited**

U.S. PATENT DOCUMENTS

D. 270,503 9/1983 Cohen D6/546

1 Claim, 3 Drawing Sheets



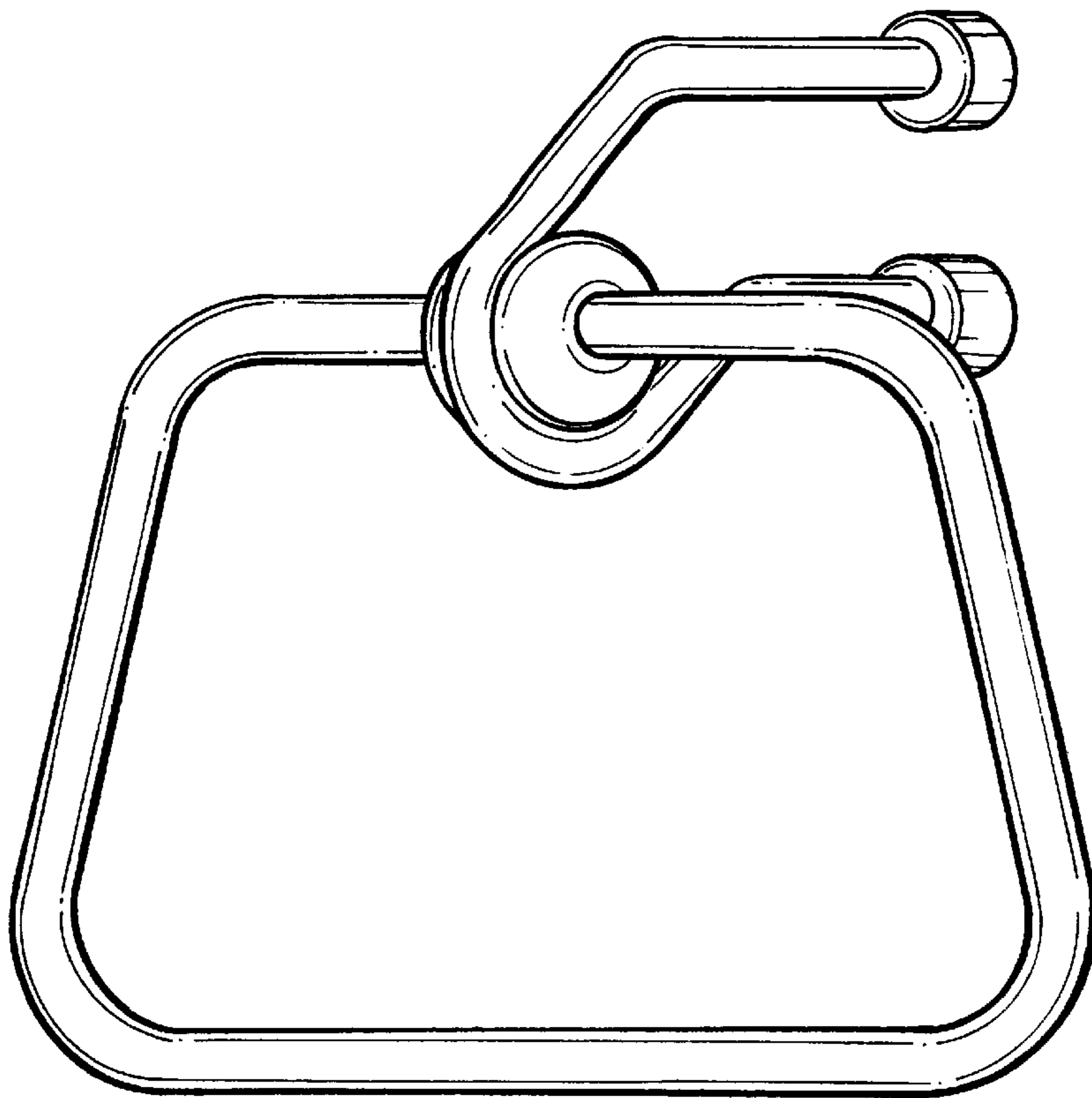


Fig-1

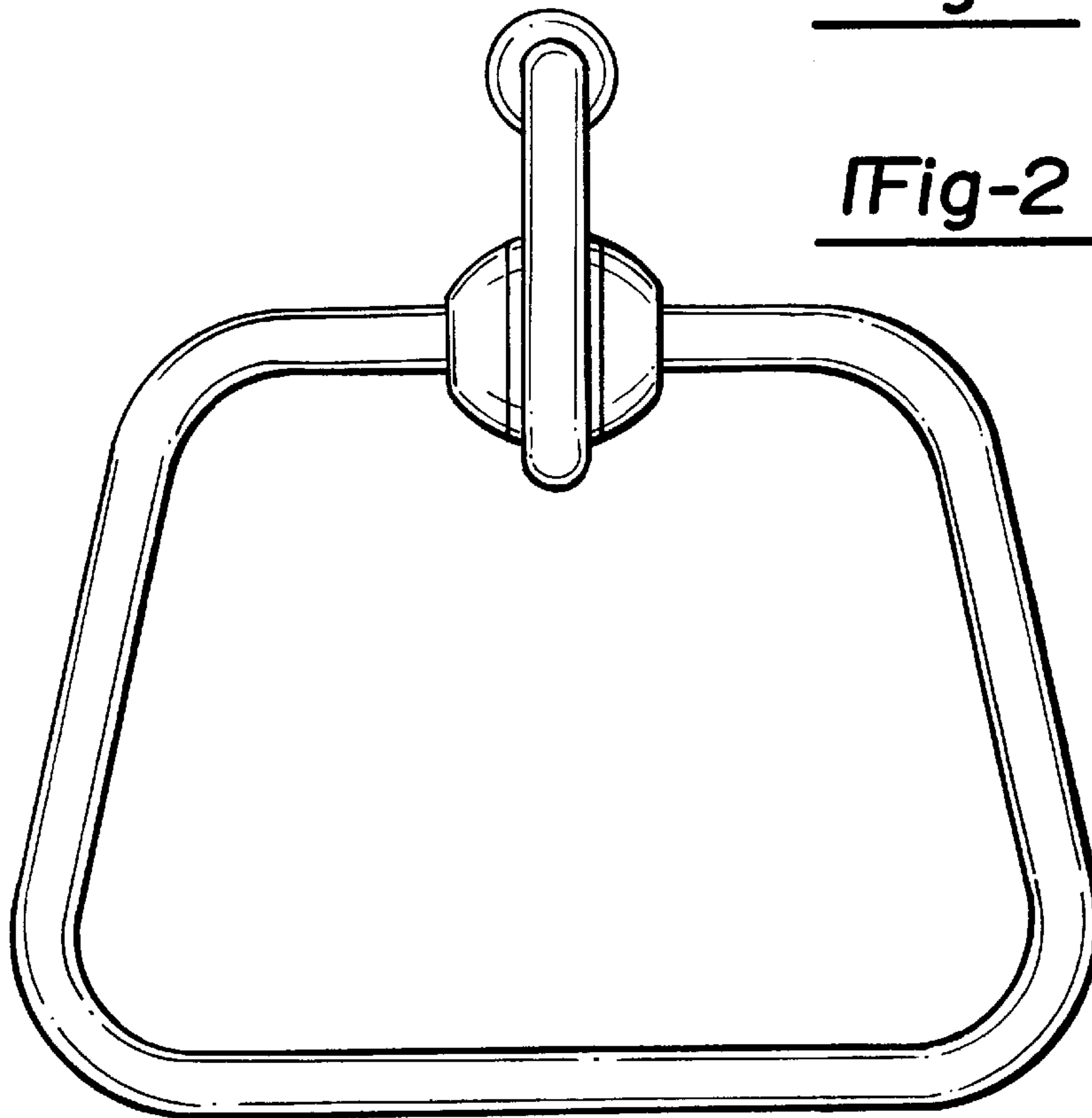


Fig-2

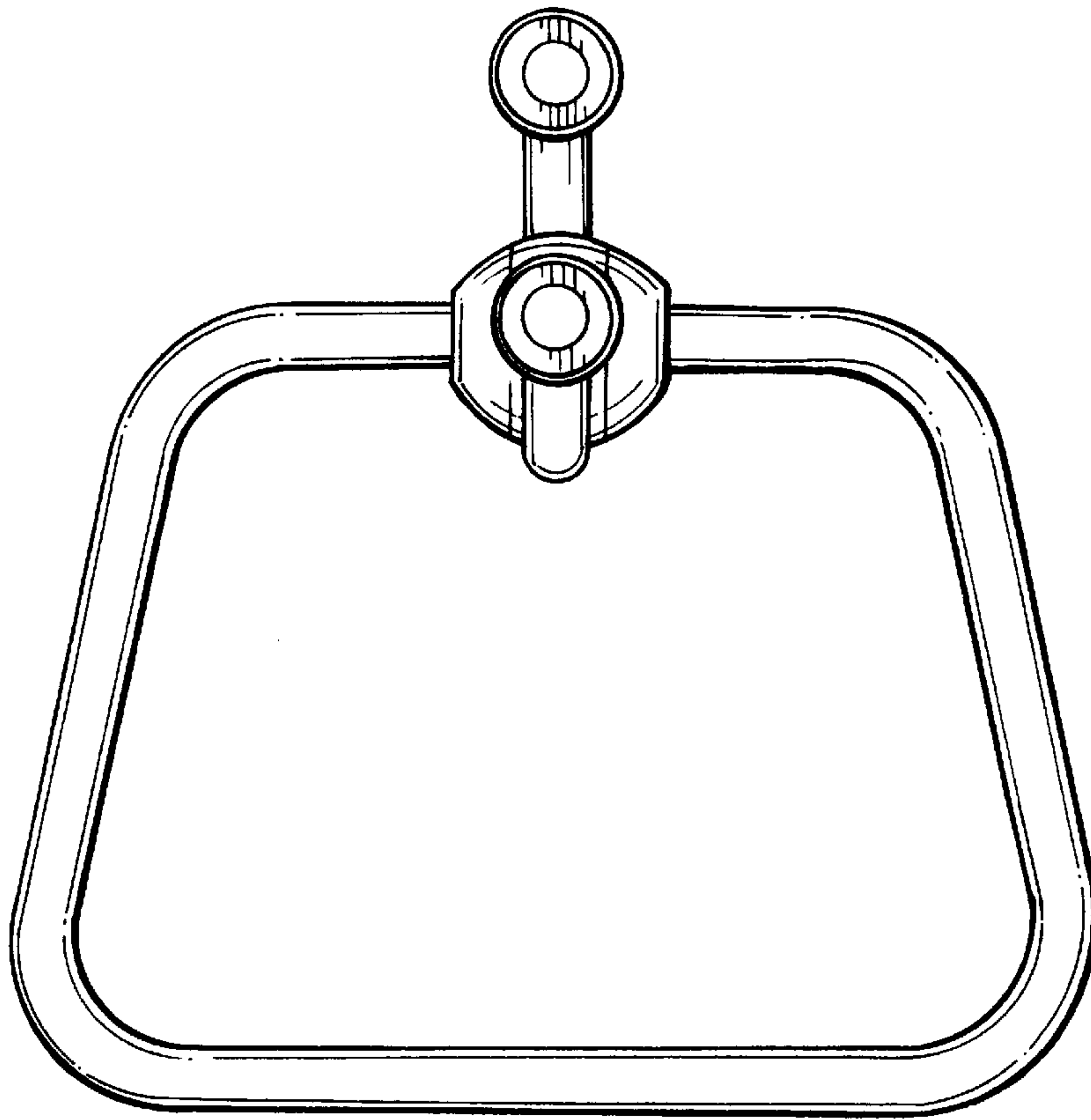


Fig-3

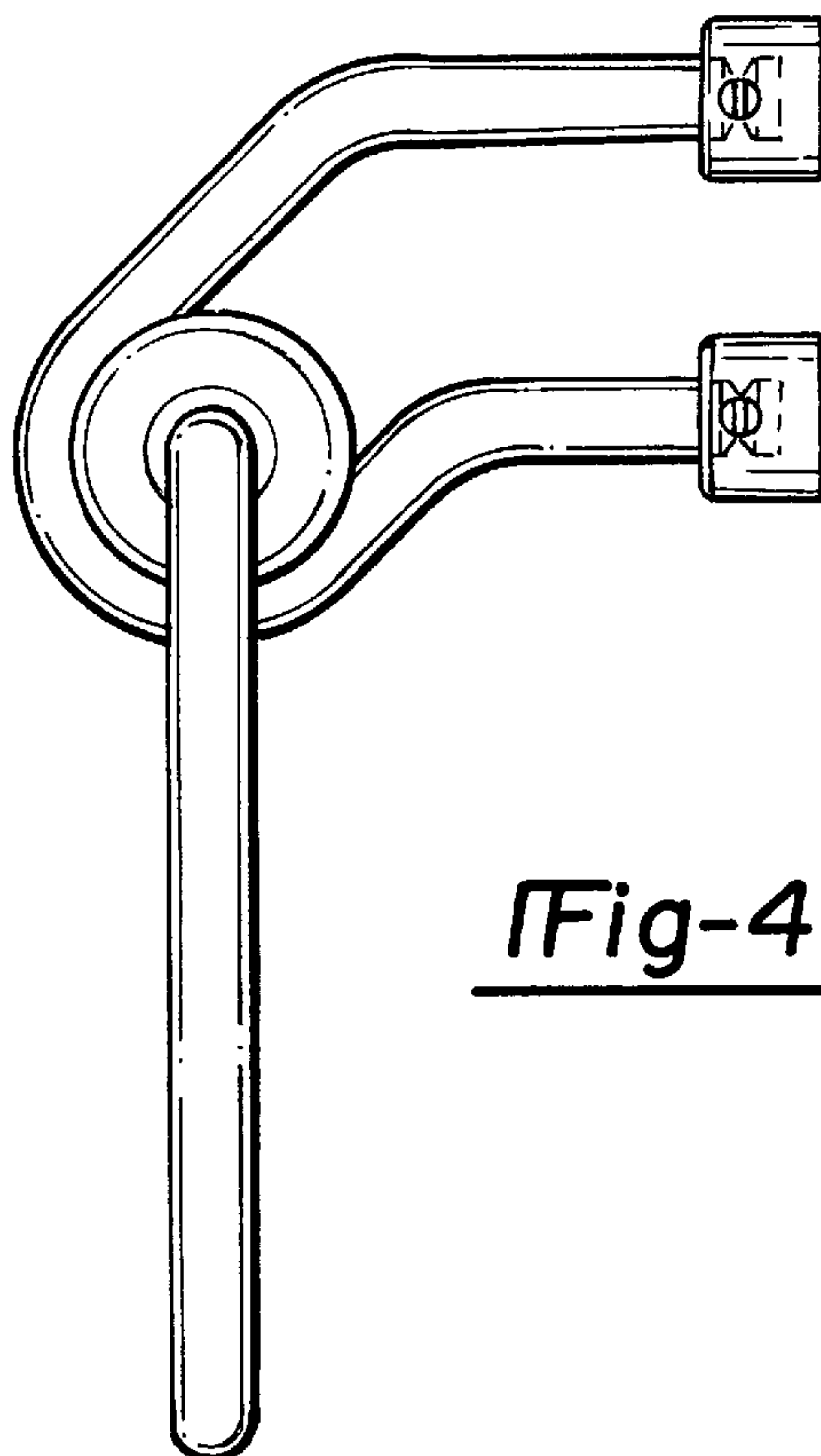


Fig-4

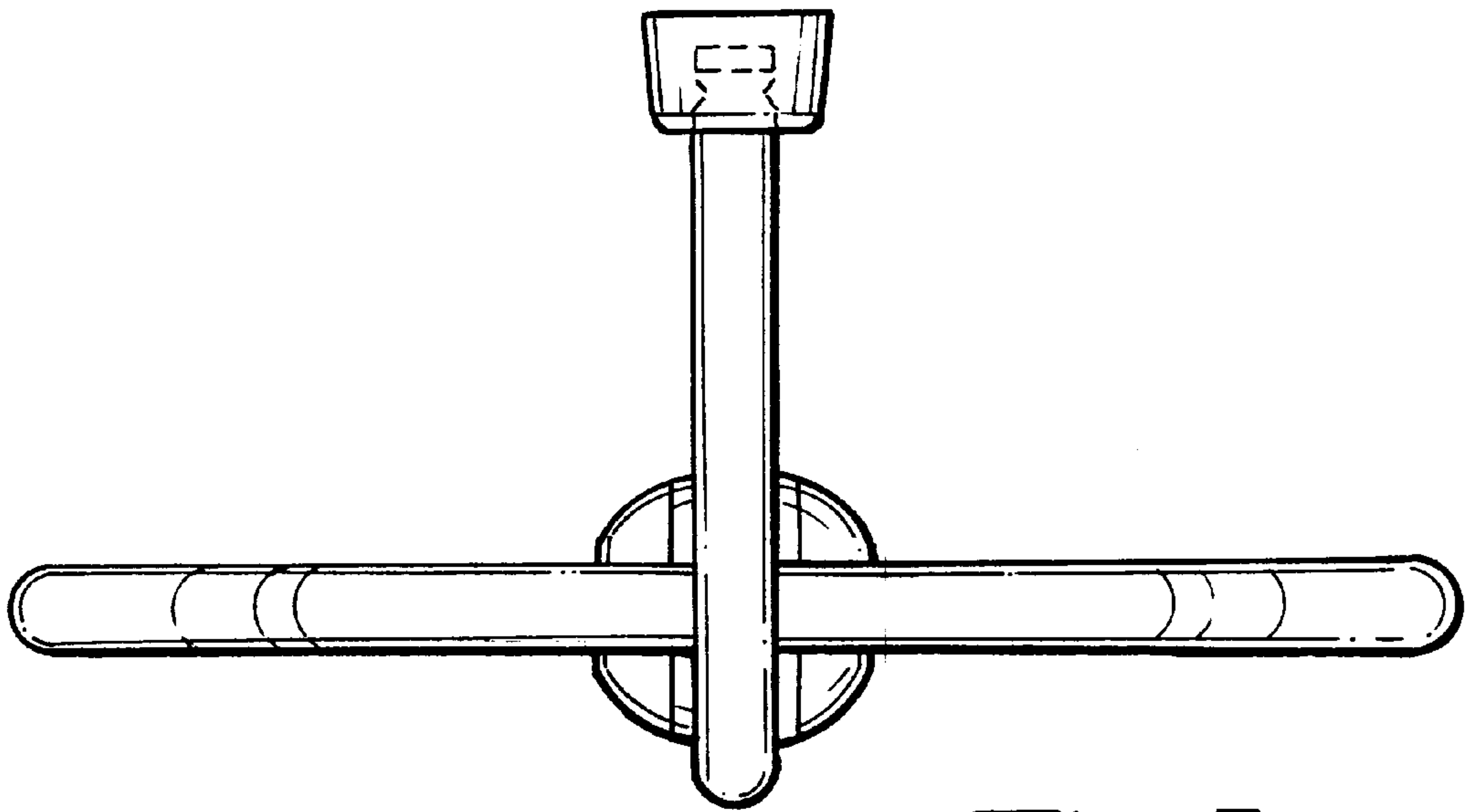


Fig-5

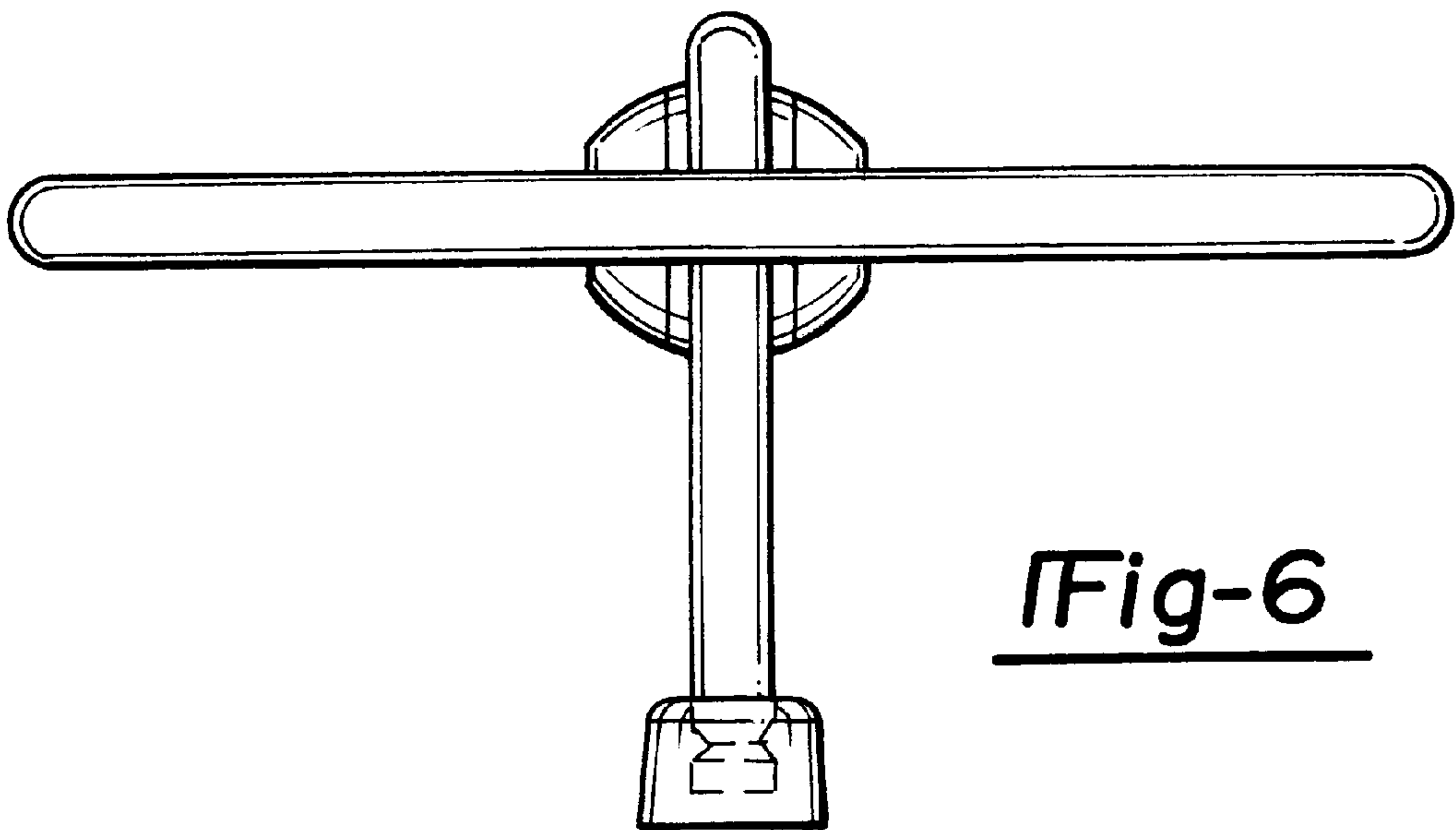


Fig-6