



US00D425741S

United States Patent [19] Duggan

[11] Patent Number: **Des. 425,741**

[45] Date of Patent: **** May 30, 2000**

[54] **TISSUE HOLDER**

[75] Inventor: **Michael P. Duggan**, Brookside, N.J.

[73] Assignee: **Melard Manufacturing Corp.**, Passaic, N.J.

[**] Term: **14 Years**

[21] Appl. No.: **29/106,847**

[22] Filed: **Jun. 22, 1999**

[51] **LOC (7) Cl.** **07-07**

[52] **U.S. Cl.** **D6/523**

[58] **Field of Search** D6/518, 522, 523,
D6/549, 550; 211/13.1, 16, 86-87, 105.2,
123, 181.1; 242/570, 590, 595, 597

[56] **References Cited**

U.S. PATENT DOCUMENTS

D. 041,567	7/1911	Strassburger et al.	D6/549
D. 120,972	6/1940	Desser	D6/550
D. 132,262	5/1942	Sanford	D6/549

D. 308,781	6/1990	Mintz	D6/523
D. 327,593	7/1992	Emery	D6/523
D. 383,630	9/1997	Goodman	D6/523
3,067,963	12/1962	Suggs	D6/523 X

Primary Examiner—Brian N. Vinson
Attorney, Agent, or Firm—Edgar A. Zarins; Lloyd D. Doigan

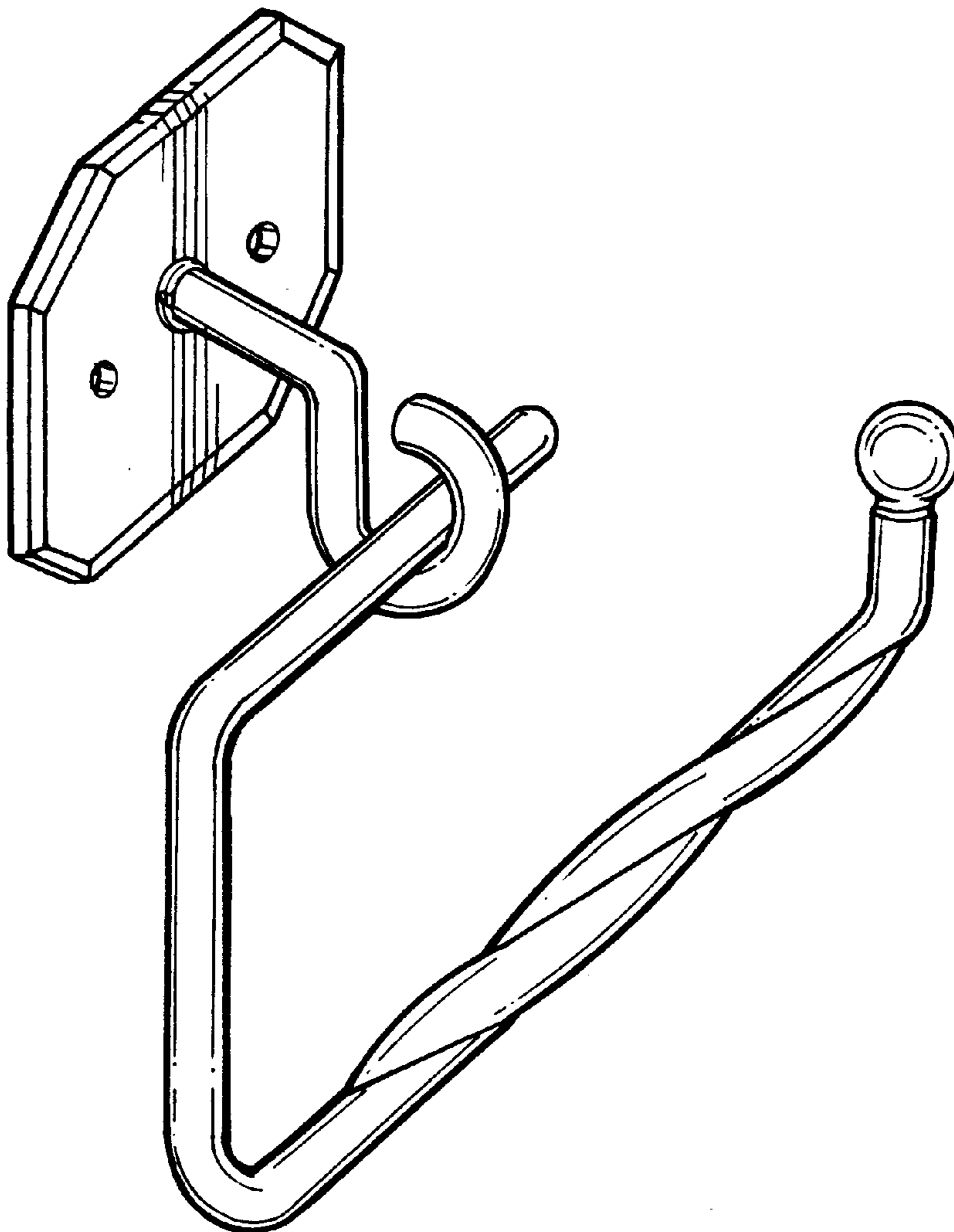
[57] **CLAIM**

The ornamental design for a tissue holder, as shown and described.

DESCRIPTION

FIG. 1 is a perspective view of a tissue holder showing my new design;
FIG. 2 is a front elevational view thereof;
FIG. 3 is a rear elevational view thereof;
FIG. 4 is a right side view thereof;
FIG. 5 is a left side view thereof;
FIG. 6 is a top plan view thereof; and,
FIG. 7 is a bottom plan view thereof.

1 Claim, 3 Drawing Sheets



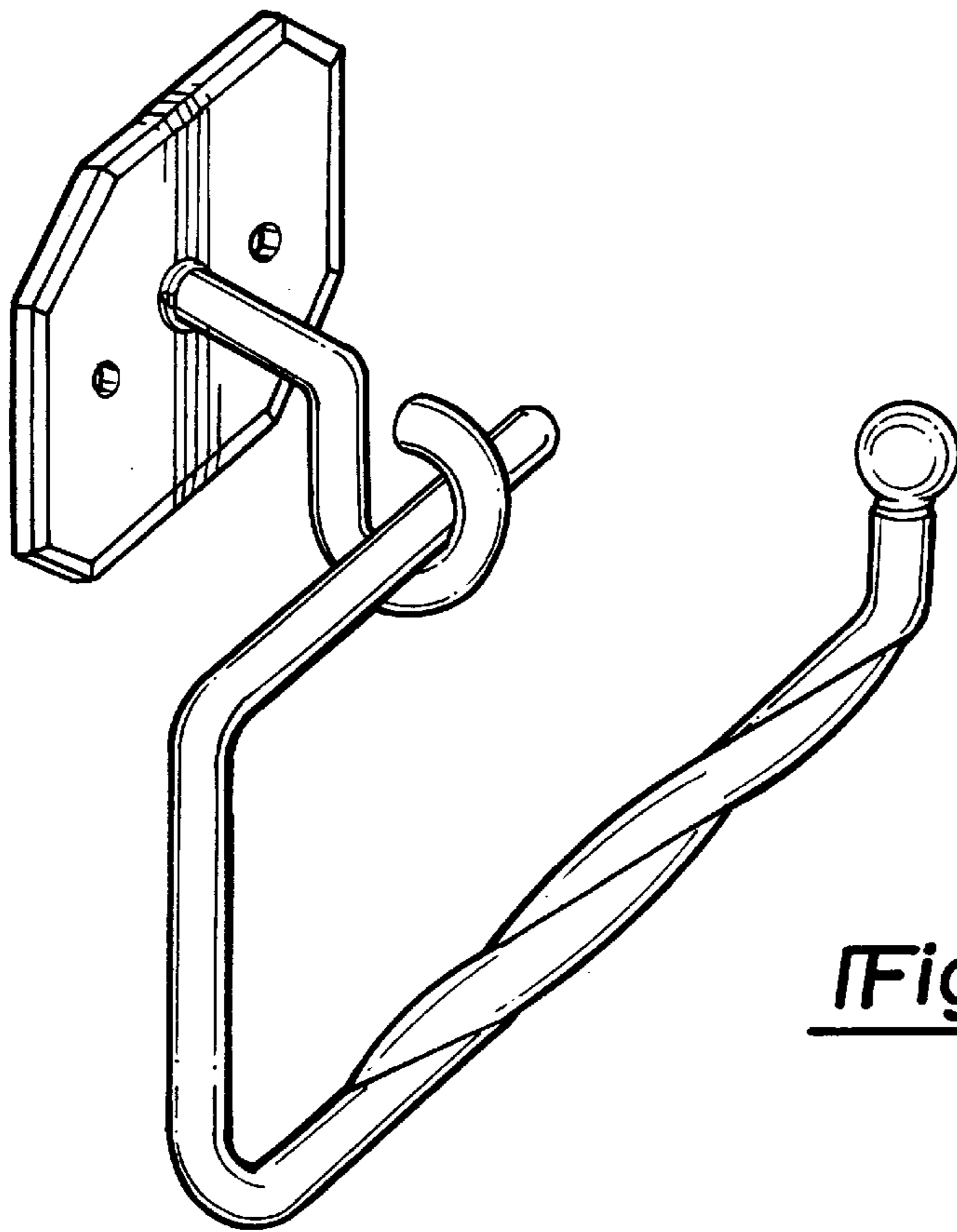


Fig-1

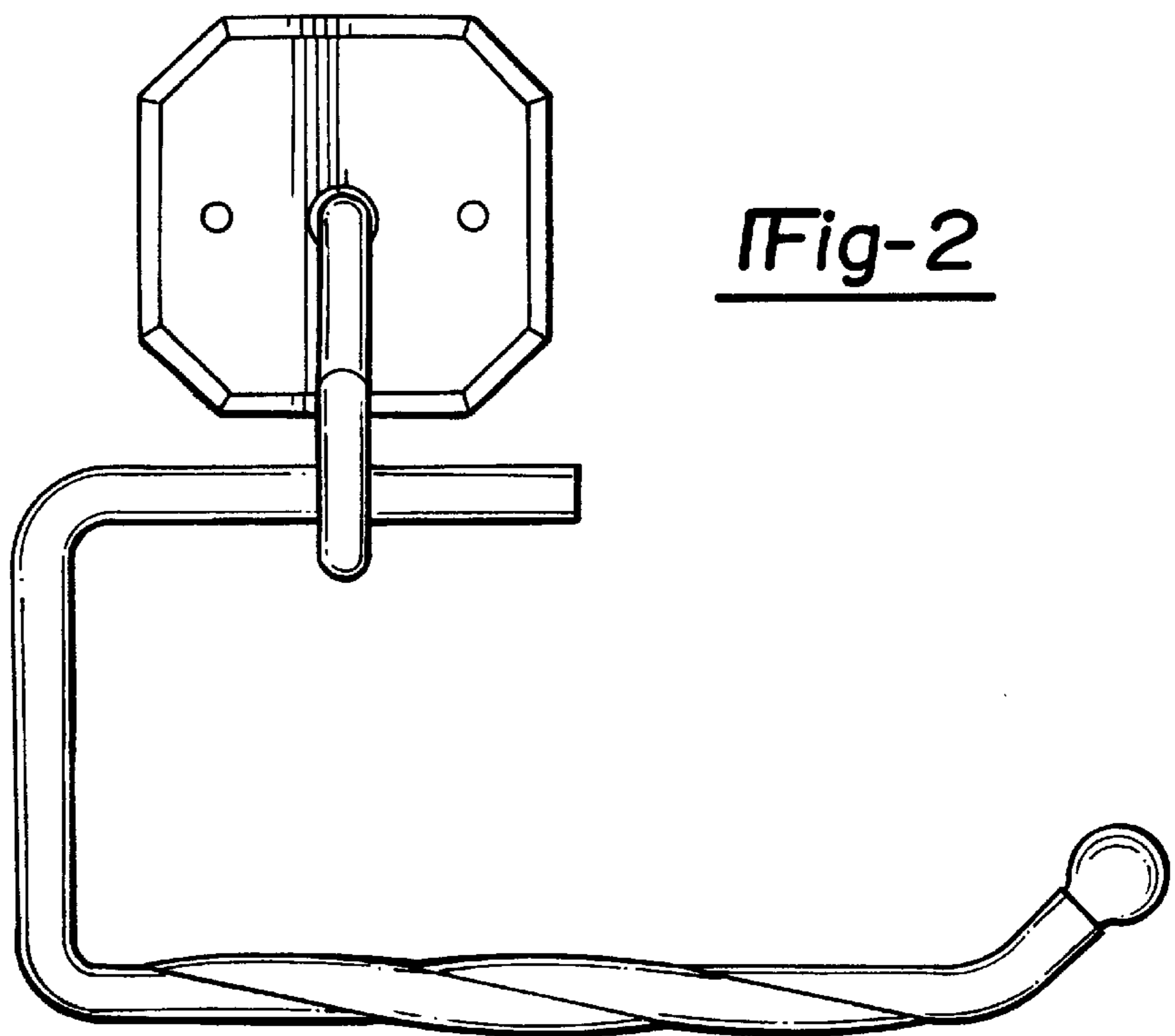
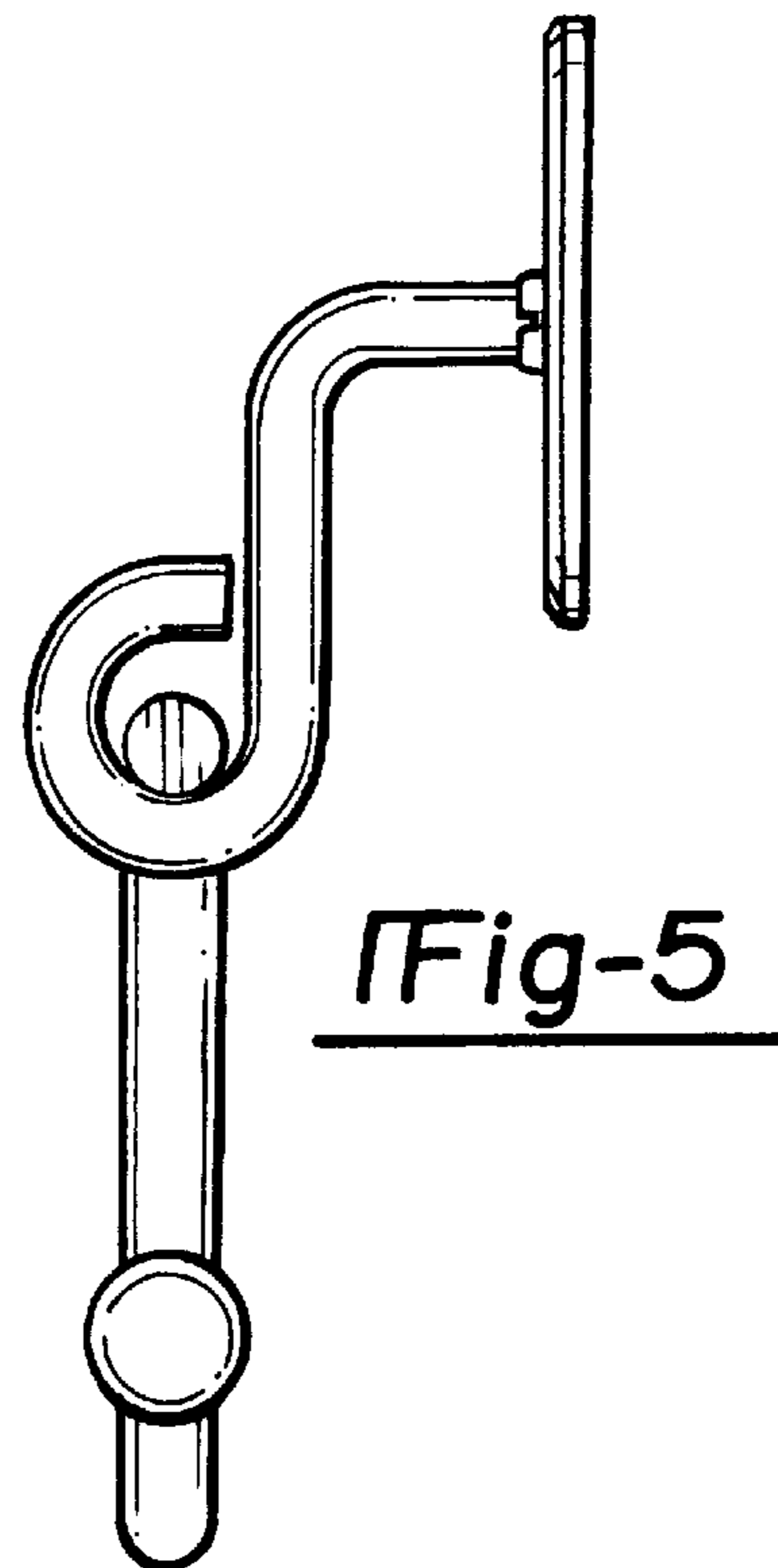
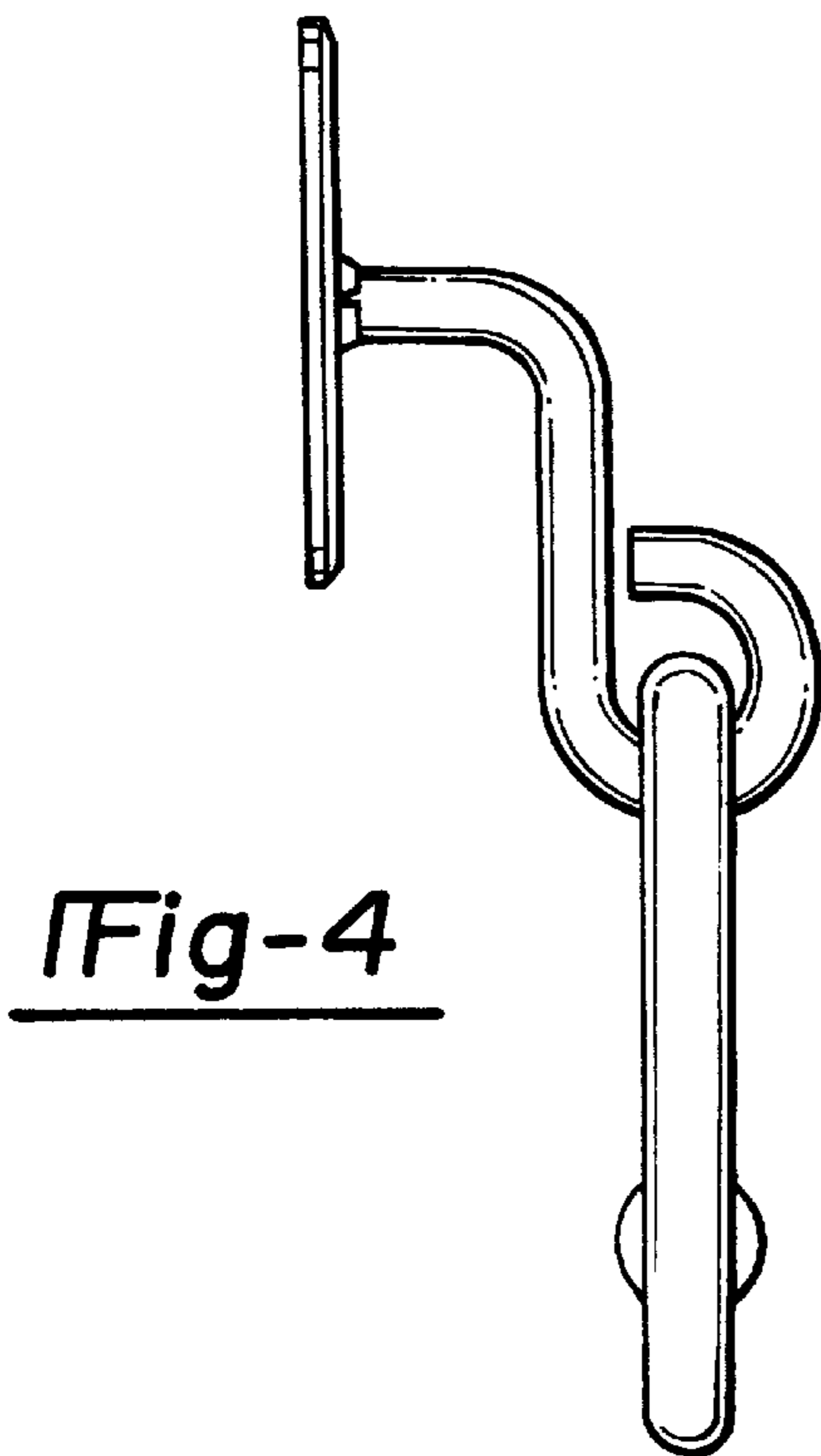
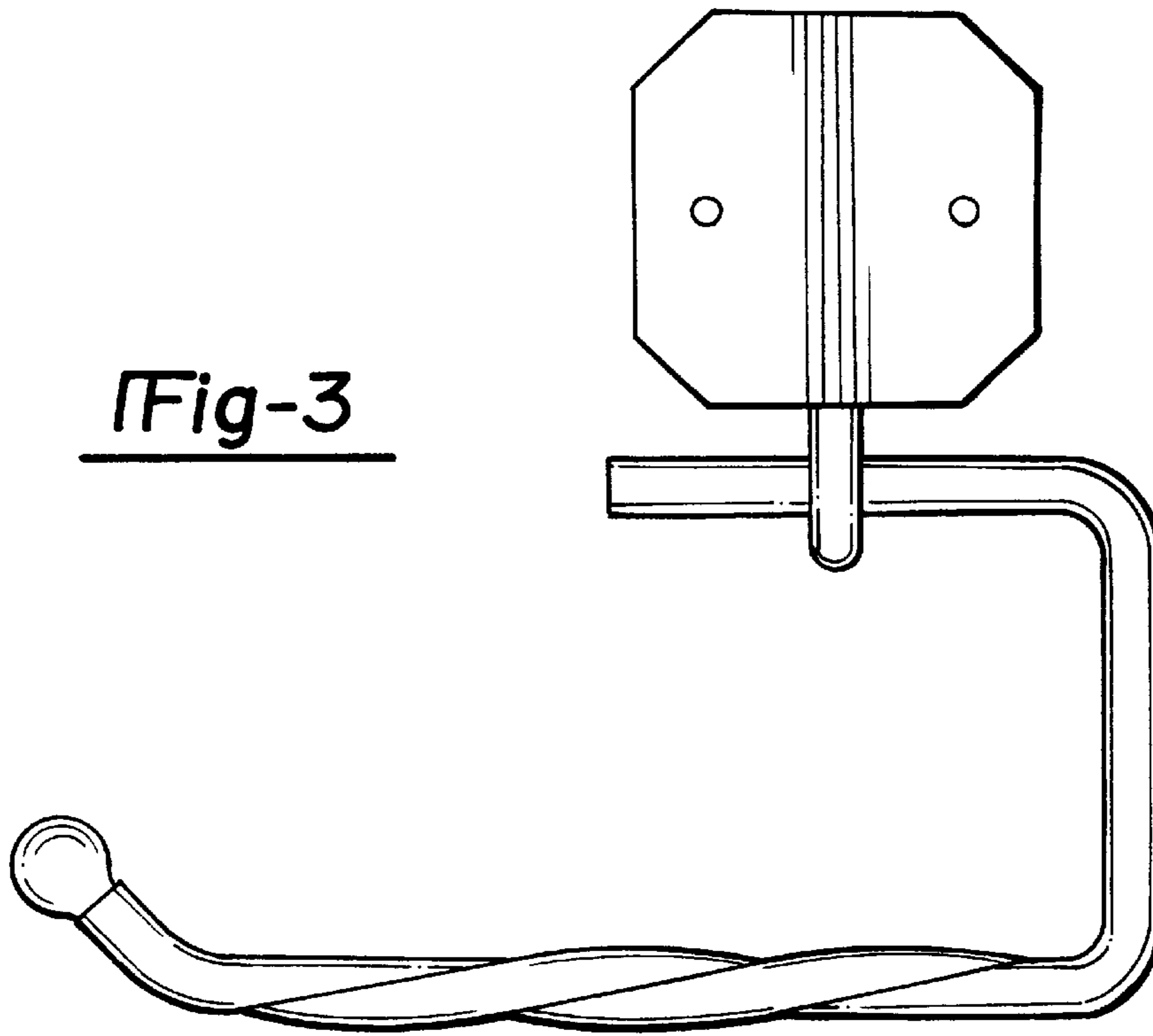


Fig-2



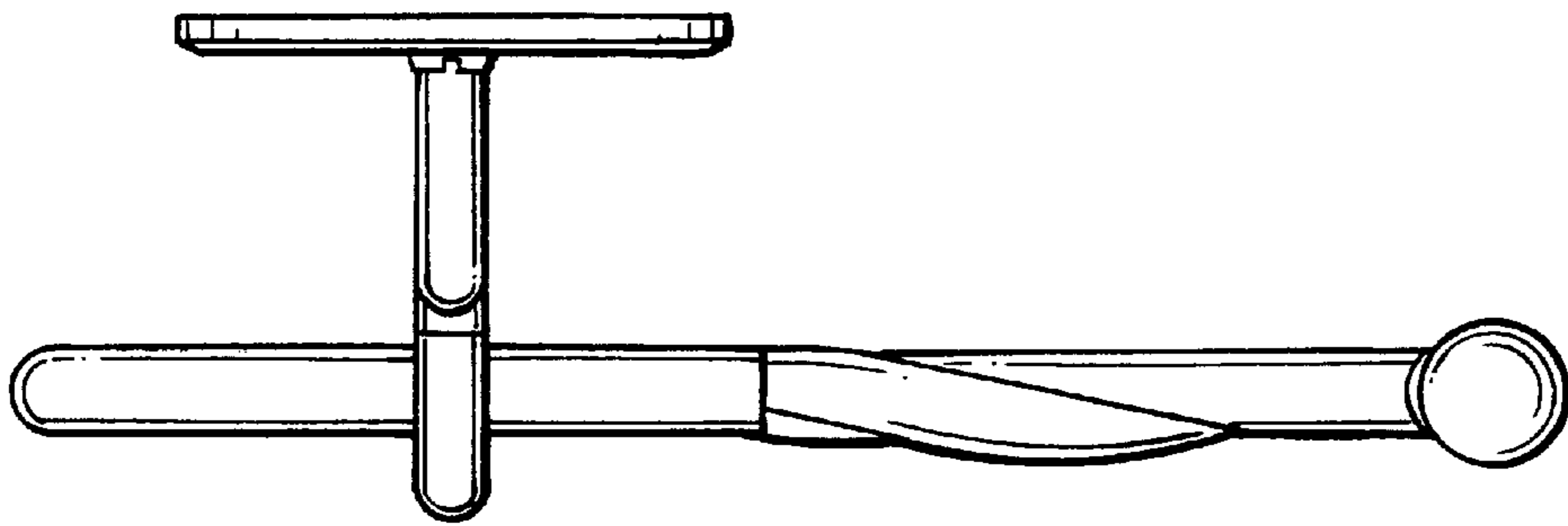


Fig-6

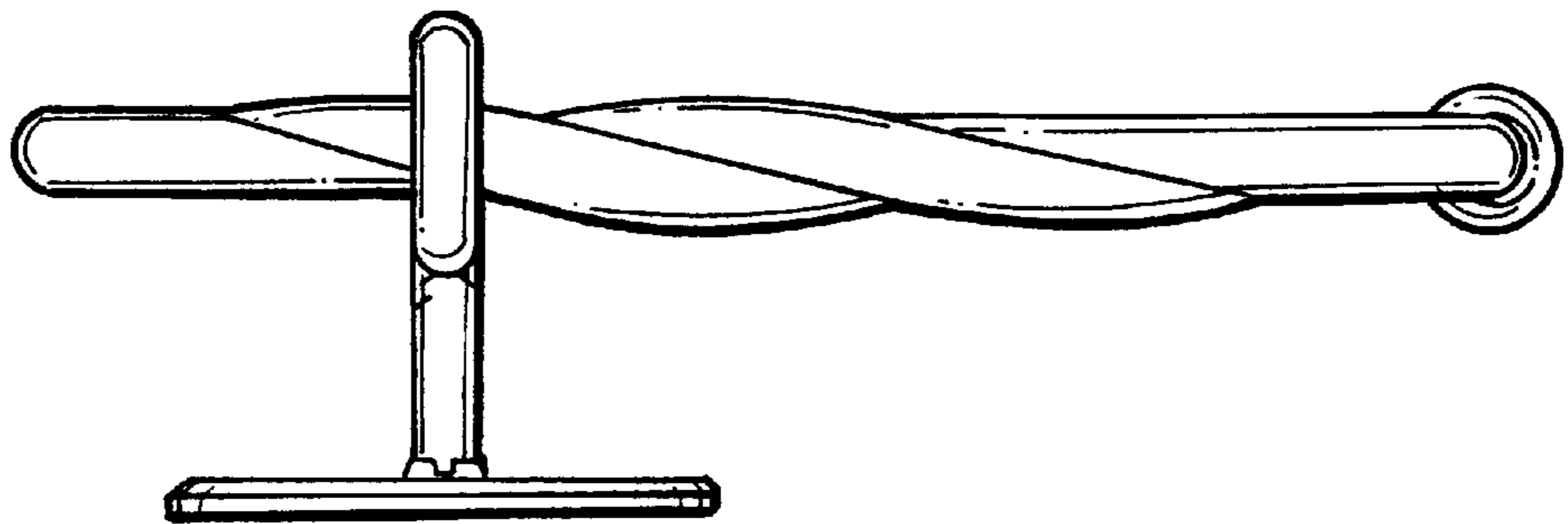


Fig-7