



US00D425740S

United States Patent [19]

Daly et al.

[11] **Patent Number: Des. 425,740**

[45] **Date of Patent: ** May 30, 2000**

[54] **PAPER ROLL BRAKE**

Primary Examiner—Marcus A. Jackson

[76] Inventors: **Michael W. Daly; Kristina D. Daly**,
both of 1503 N. Hayden Is. Dr. #24,
Portland, Oreg. 97217

[57] **CLAIM**

The ornamental design for a paper roll brake, as shown and described.

[**] Term: **14 Years**

DESCRIPTION

[21] Appl. No.: **29/079,668**

FIG. 1 is a perspective view, with the broken line showing for illustrative purposes only and forming no part of the claimed design;

[22] Filed: **Nov. 20, 1997**

[51] **LOC (7) Cl.** **06-02**

[52] **U.S. Cl.** **D6/522**

FIG. 2 is a front view. The back view is a mirror image; and, FIG. 3 is a left side view, the right side view is a mirror image.

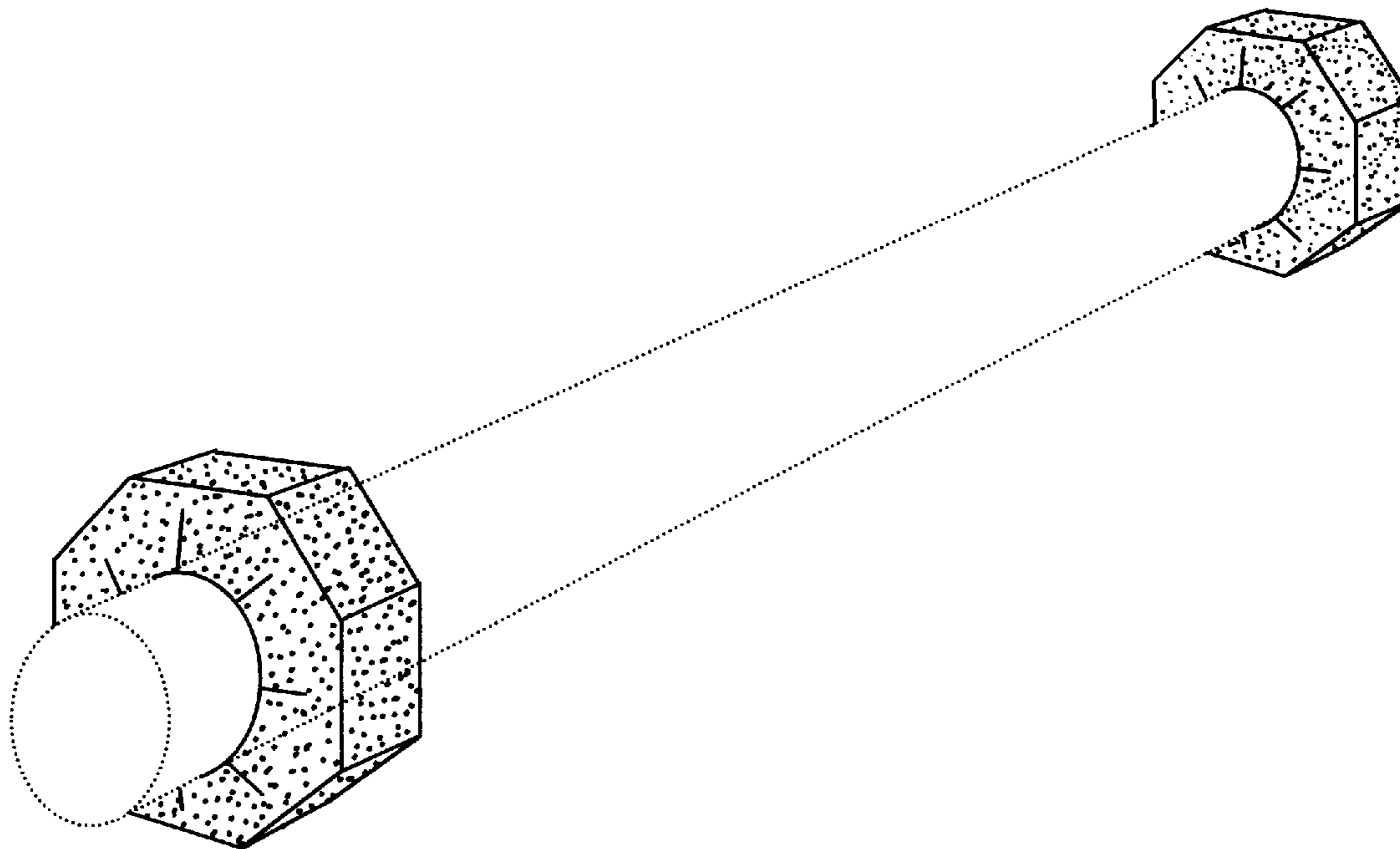
[58] **Field of Search** D6/522; D8/376;
248/95, 97, 98, 99, 100, 101, 251

[56] **References Cited**

U.S. PATENT DOCUMENTS

D. 323,412 1/1992 Hoge D6/522

1 Claim, 1 Drawing Sheet



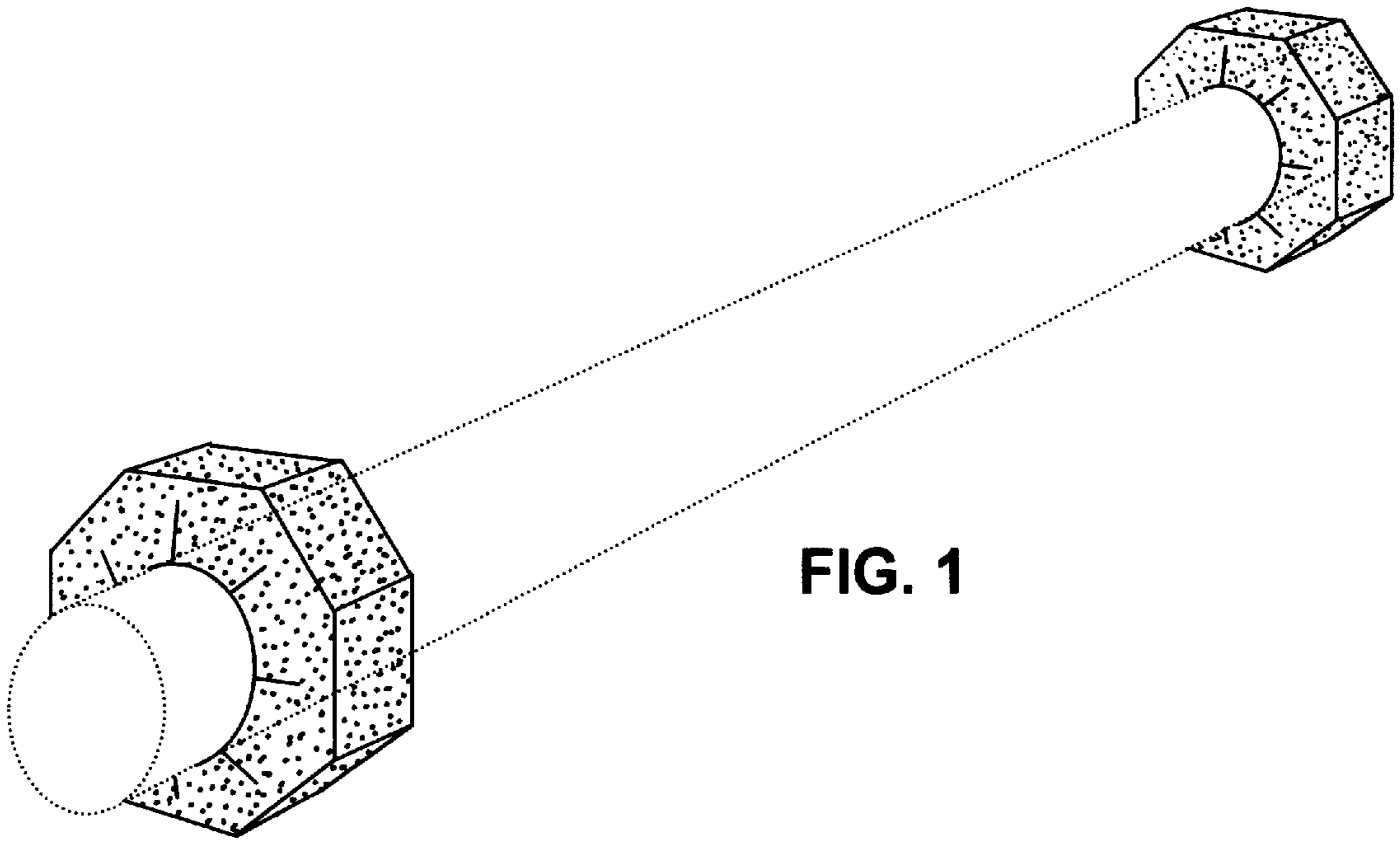


FIG. 1

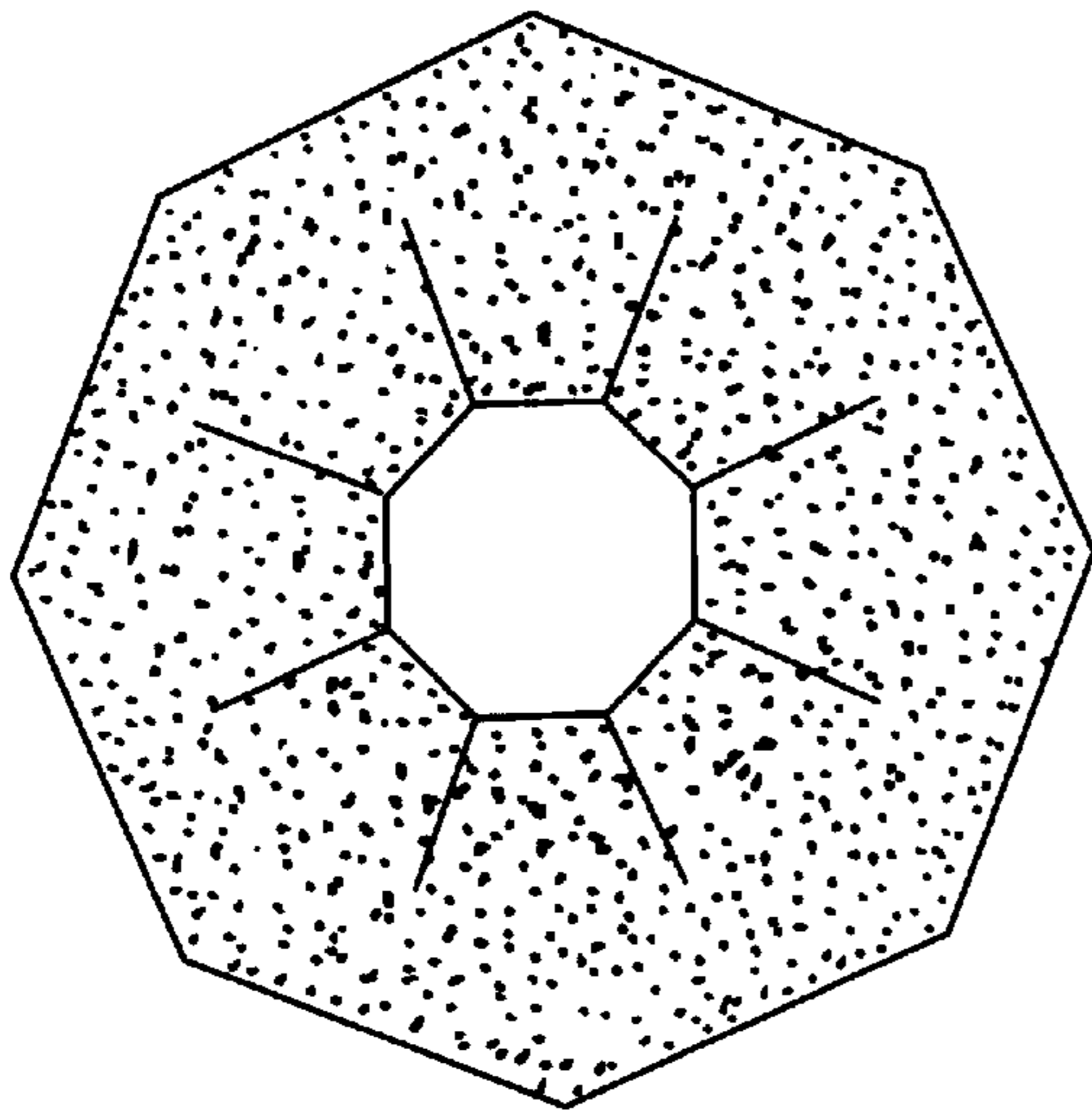


FIG. 2

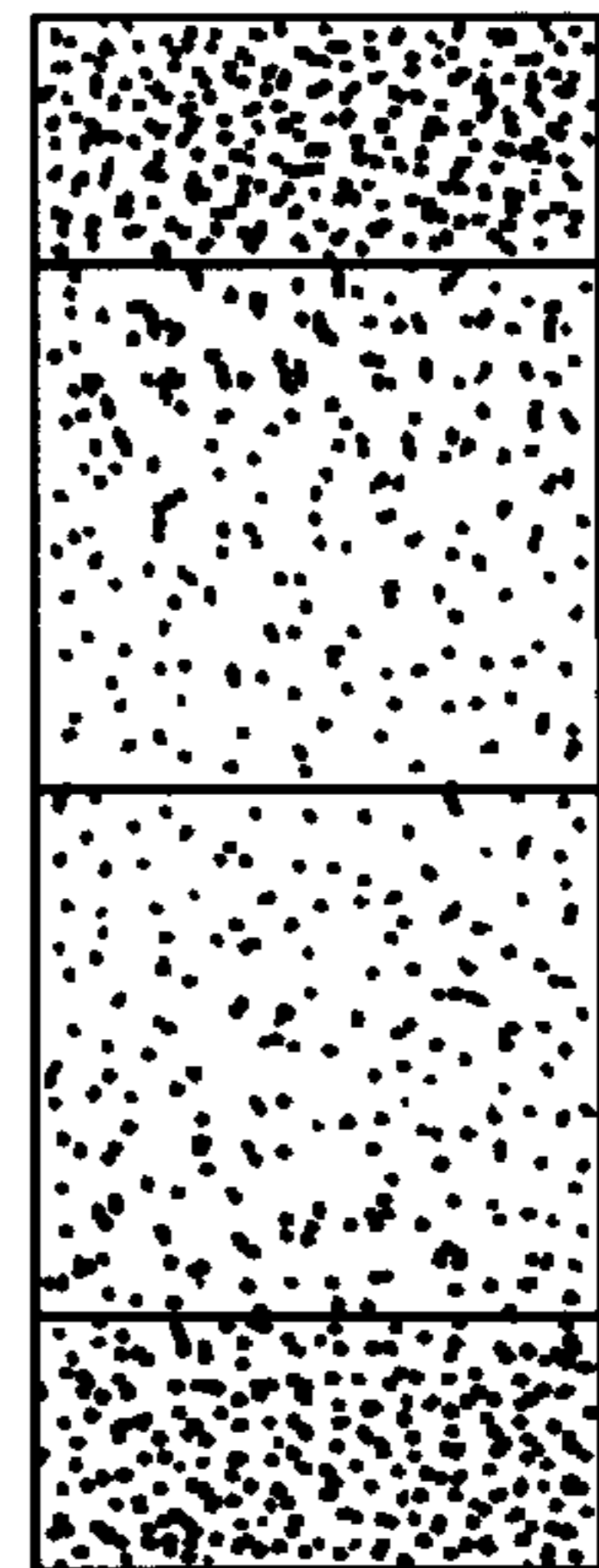


FIG. 3