



US00D425734S

United States Patent [19]
Bauer

[11] **Patent Number: Des. 425,734**

[45] **Date of Patent: ** May 30, 2000**

[54] **CABINET RAIL**

[75] Inventor: **Thomas E. Bauer**, Saginaw, Mich.

[73] Assignee: **Case Systems Inc**, Midland, Mich.

[**] Term: **14 Years**

3,669,035 6/1972 Grossman .
3,899,228 8/1975 Schreiber .
3,908,831 9/1975 Brendgord .
3,950,049 4/1976 Drass .
4,047,773 9/1977 Semany .
4,165,852 8/1979 Chervenak .
4,329,003 5/1982 Manchester .

[21] Appl. No.: **29/096,503**

[22] Filed: **Nov. 13, 1998**

[51] **LOC (7) Cl.** **06-06**

[52] **U.S. Cl.** **D6/491; D6/510**

[58] **Field of Search** D6/491, 510; D25/121,
D25/123, 125; 108/152; 248/225.2; 312/111,
245, 263

FOREIGN PATENT DOCUMENTS

2328429 of 0000 France .
1480732 of 0000 United Kingdom .

Primary Examiner—Cathron B. Matta
Attorney, Agent, or Firm—Price, Heneveld, Cooper, Dewitt & Litton

[56] **References Cited**

U.S. PATENT DOCUMENTS

D. 135,578 4/1943 Marschner D25/121
D. 251,445 3/1979 Bancroft et al. .
D. 253,130 10/1979 Broadbent .
D. 283,294 4/1986 Bancroft .
D. 283,295 4/1986 Bancroft .
D. 302,086 7/1989 Clark D6/491
D. 323,088 1/1992 Fler D6/510
D. 402,062 12/1998 Leonelli D25/125
2,001,324 5/1935 Early .
2,884,296 4/1959 Meilinger et al. .
3,138,414 6/1964 La Pollo .

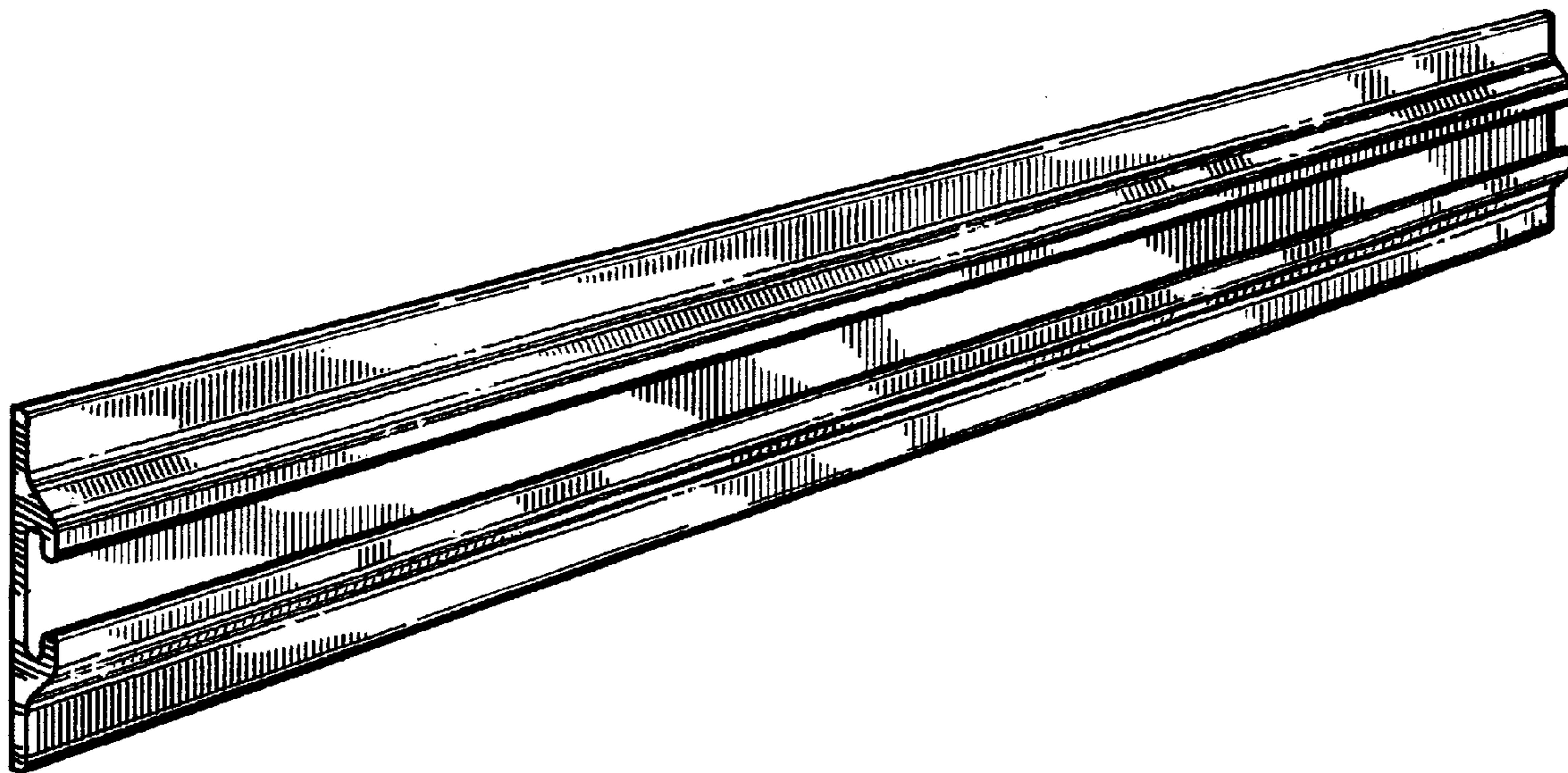
[57] **CLAIM**

I claim the ornamental design for a cabinet rail, as shown and described.

DESCRIPTION

FIG. 1 is a perspective view of the cabinet rail design; FIG. 2 is a enlarged front partial view thereof; FIG. 3 is an enlarged left side view thereof, the right side being a mirror image; and, FIG. 4 is a enlarged partial view thereof, the bottom view being a mirror image. The rear view forms no part of the claimed design.

1 Claim, 1 Drawing Sheet



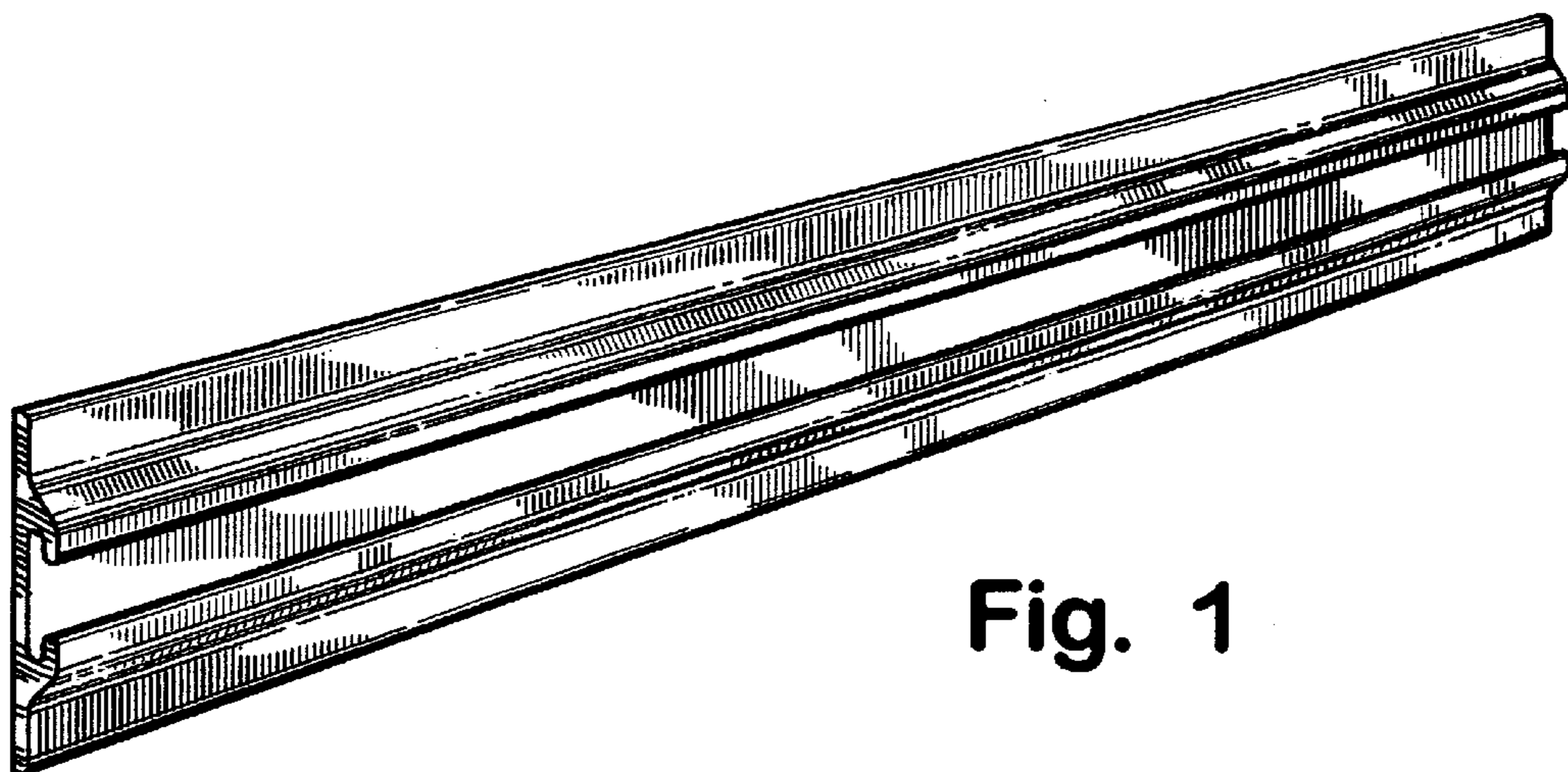


Fig. 1

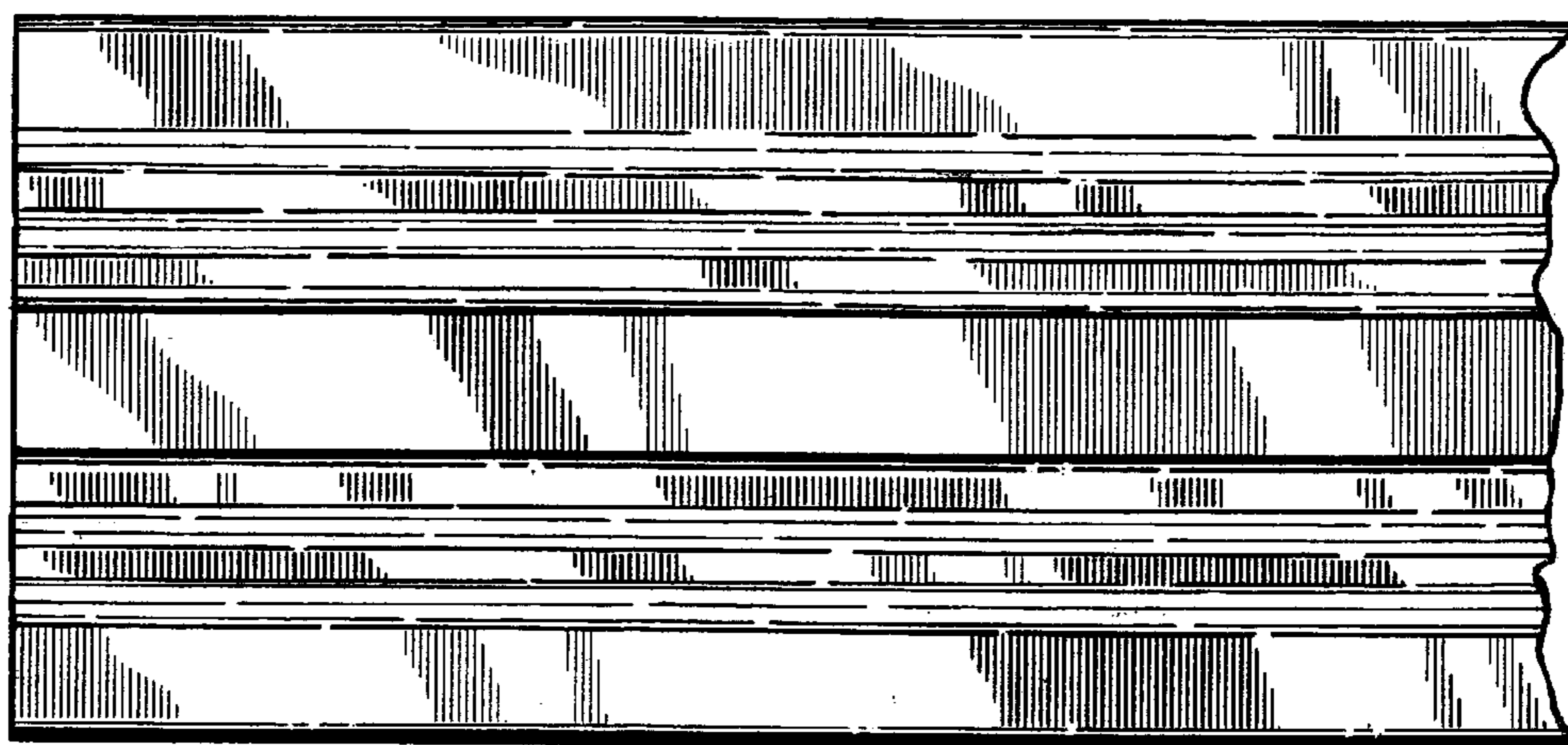


Fig. 2



Fig. 3

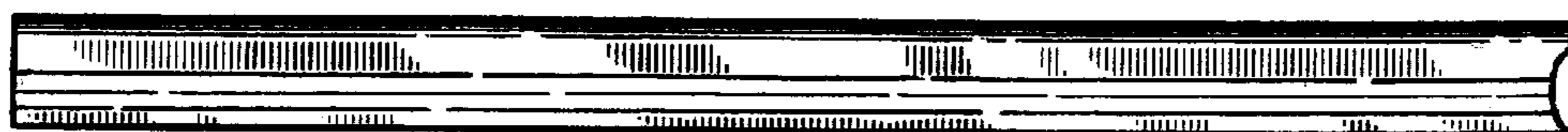


Fig. 4

UNITED STATES PATENT AND TRADEMARK OFFICE
CERTIFICATE OF CORRECTION

PATENT NO. : D425734
DATED : May 30, 2000
INVENTOR(S) : Thomas E. Bauer

It is certified that error appears in the above-identified patent and that said Letters Patent is hereby corrected as shown below:

In Fig. 2:

Delete "a" and insert --an--;


"front partial" should be --partial front--;

In Fig. 4:

Delete "a" and insert --an--;

After "partial", insert --top--.

Signed and Sealed this
Twentieth Day of March, 2001



Attest:

NICHOLAS P. GODICI

Attesting Officer

Acting Director of the United States Patent and Trademark Office