



US00D425732S

United States Patent [19] Grosfillex

[11] **Patent Number: Des. 425,732**

[45] **Date of Patent: ** May 30, 2000**

[54] **SHELVING UNIT**

[75] Inventor: **Raymond Grosfillex**, Oyonnax, France

[73] Assignee: **Grosfillex Sarl**, Oyonnax, France

[**] Term: **14 Years**

[21] Appl. No.: **29/097,335**

[22] Filed: **Dec. 1, 1998**

[30] **Foreign Application Priority Data**

Jun. 16, 1998 [XH] Hague Agreement DMA/004136

[51] **LOC (7) Cl.** **06-04**

[52] **U.S. Cl.** **D6/479; D6/477**

[58] **Field of Search** D6/474-479, 436-439;
108/59, 60, 91-93, 28, 157.13; D34/12,
17, 19-21; 280/79.3; 211/134, 153, 186-190,
126.2, 126.15, 133.1; 312/204, 257.1, 107,
108, 109, 111, 325, 348.1, 348.3, 249.11

[56] **References Cited**

U.S. PATENT DOCUMENTS

D. 314,652 2/1991 Nystrom D34/21
D. 367,784 3/1996 Goetz D6/479

D. 400,739 11/1998 Sheng D6/479
2,926,022 2/1960 Nau et al. 280/79.3
5,205,630 4/1993 Welch et al. 312/249.11

Primary Examiner—Cathron B. Matta
Attorney, Agent, or Firm—Dowell & Dowell, P.C.

[57] **CLAIM**

The ornamental design for a shelving unit, as shown and described.

DESCRIPTION

FIG. 1 is a front perspective view of a shelving unit showing my new design having two pivotable shelves shown in differently adjusted positions;
FIG. 2 is an enlarged front elevational view, the rear view being substantially a mirror image thereof;
FIG. 3 is an enlarged right side view;
FIG. 4 is an enlarged left side view, the bottom of the four remaining shelves being identical thereto;
FIG. 5 is a greatly enlarged bottom plan view; and,
FIG. 6 is a greatly enlarged top plan view.
The surfaces of the article not shown in the drawing or described in the specification form no part of the claimed design.

1 Claim, 3 Drawing Sheets

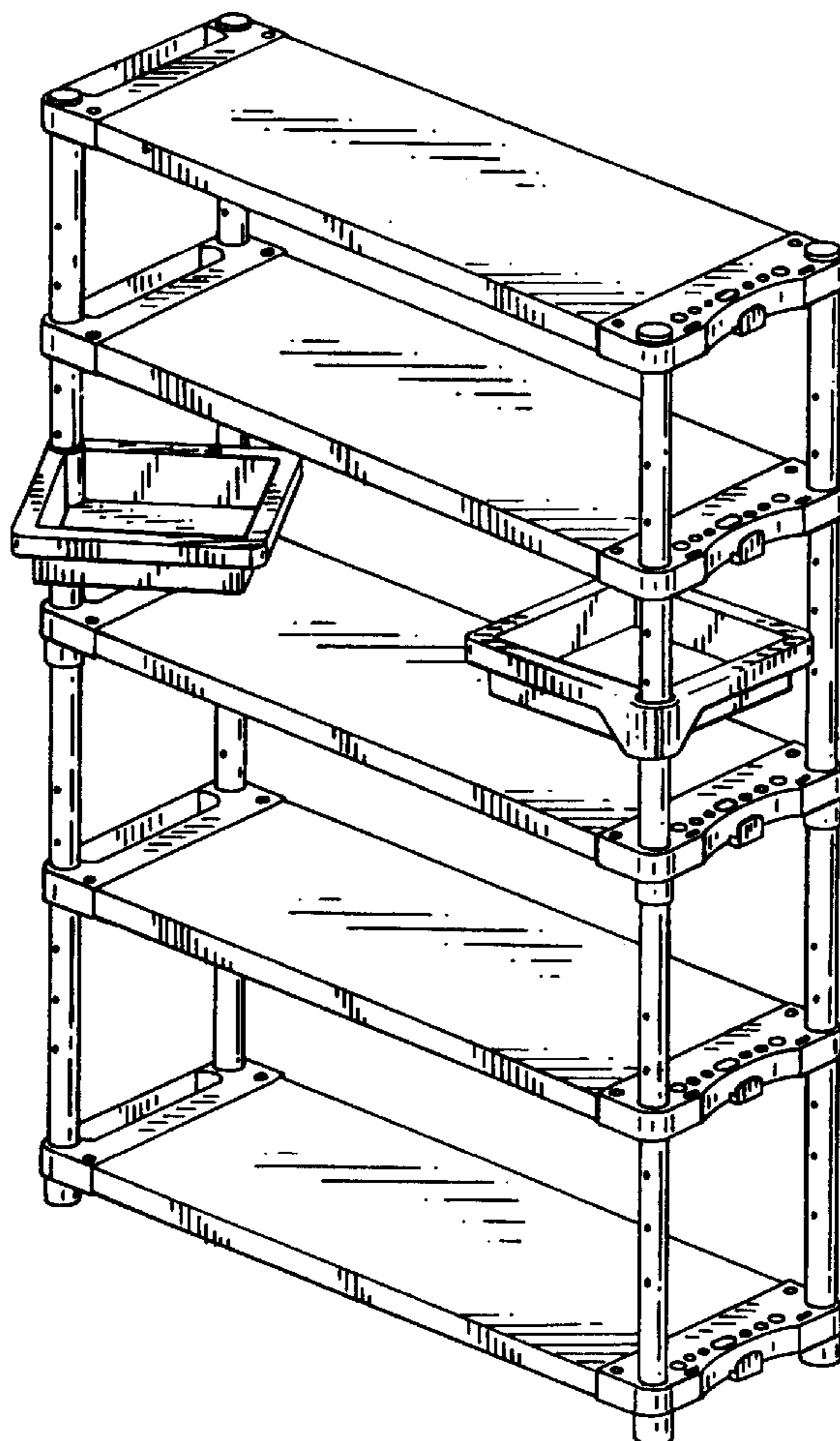


FIG. 2

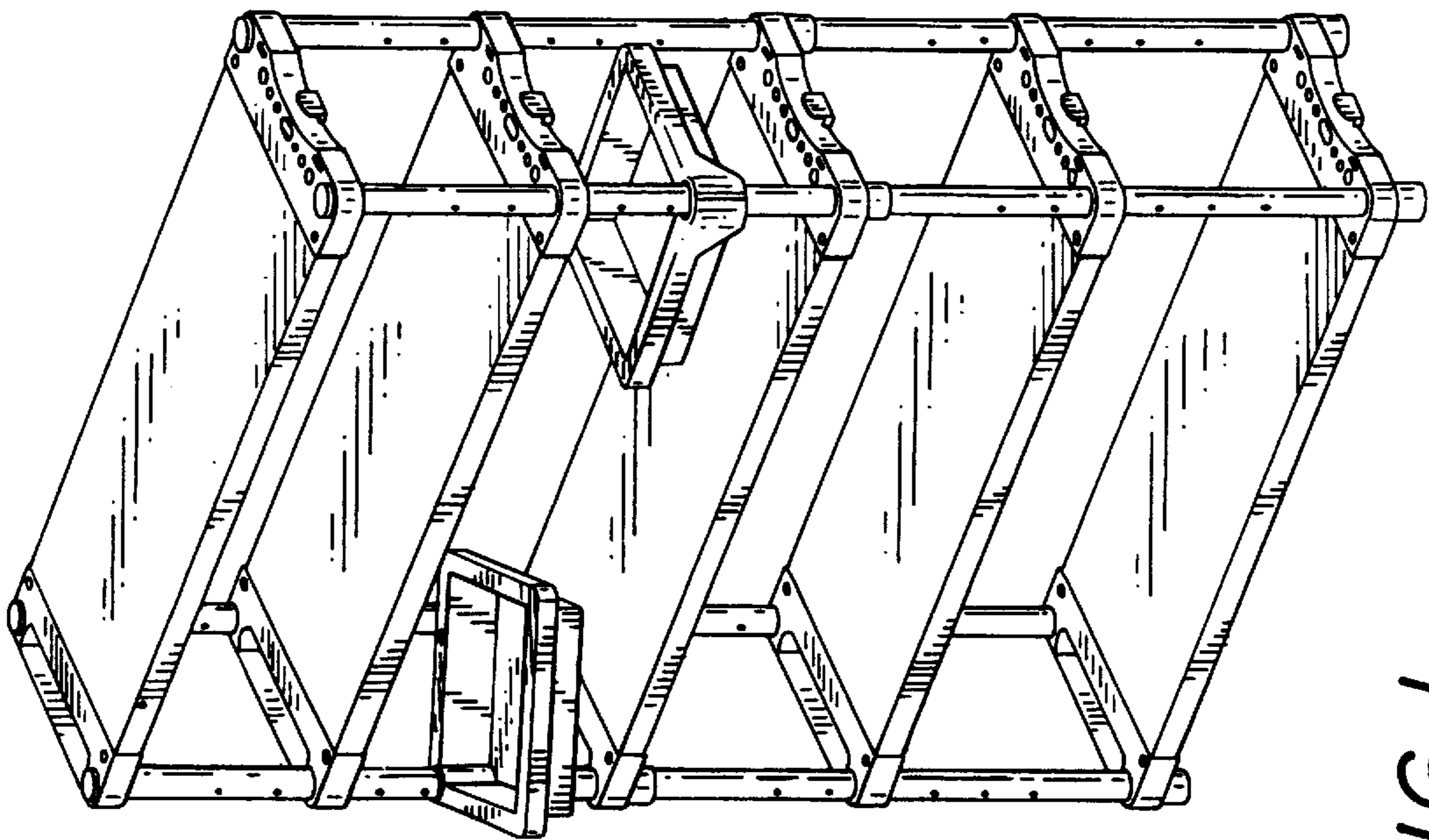
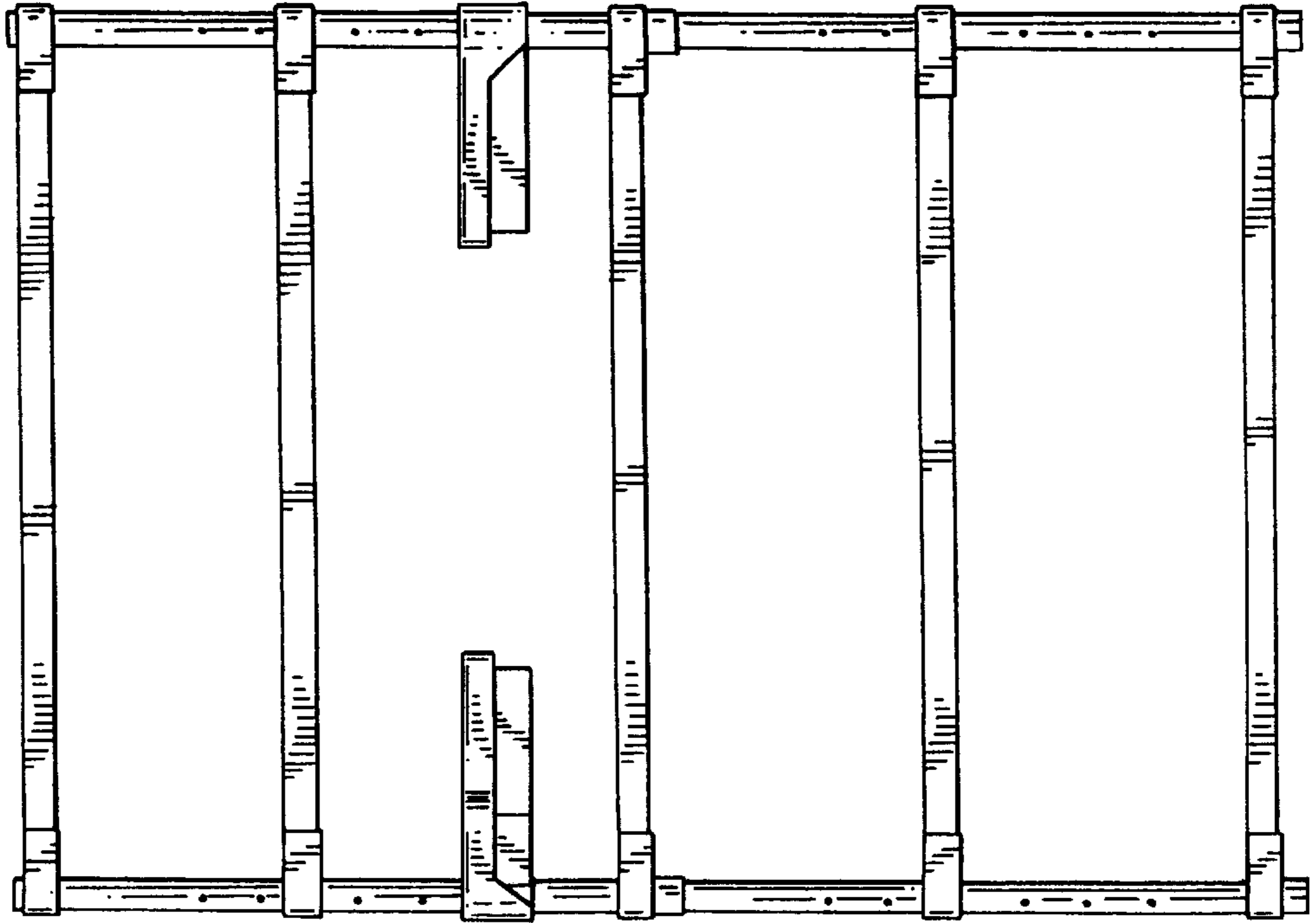


FIG. 1

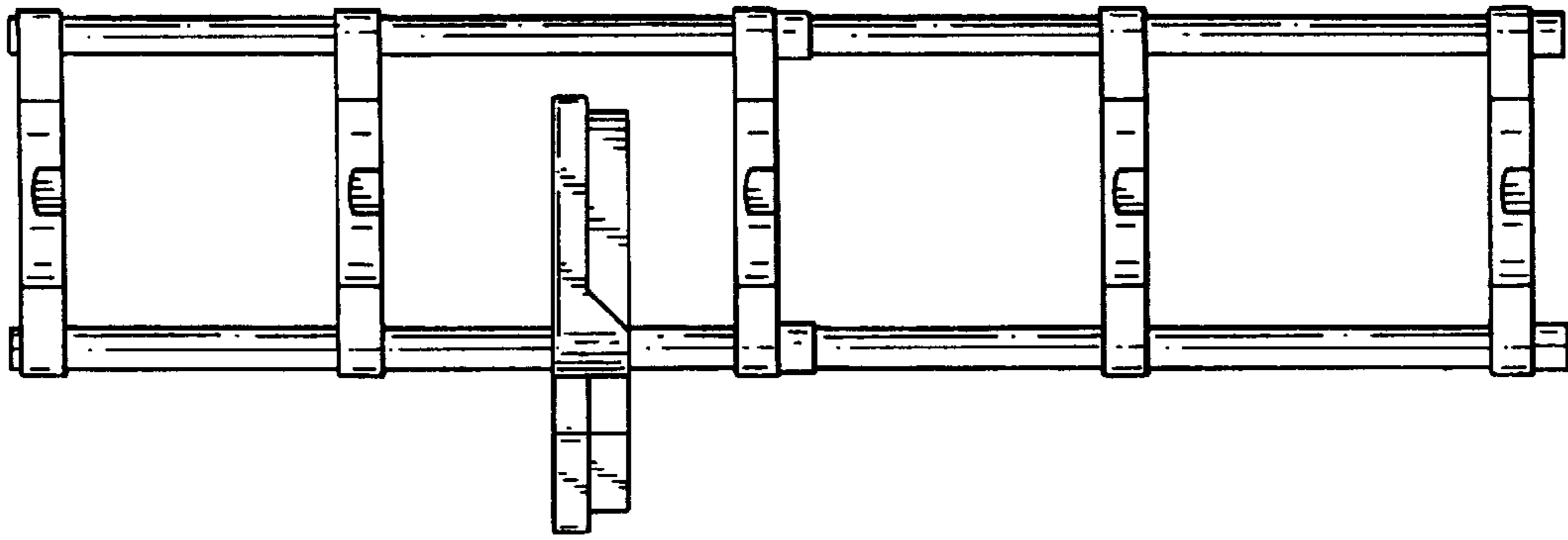


FIG. 4

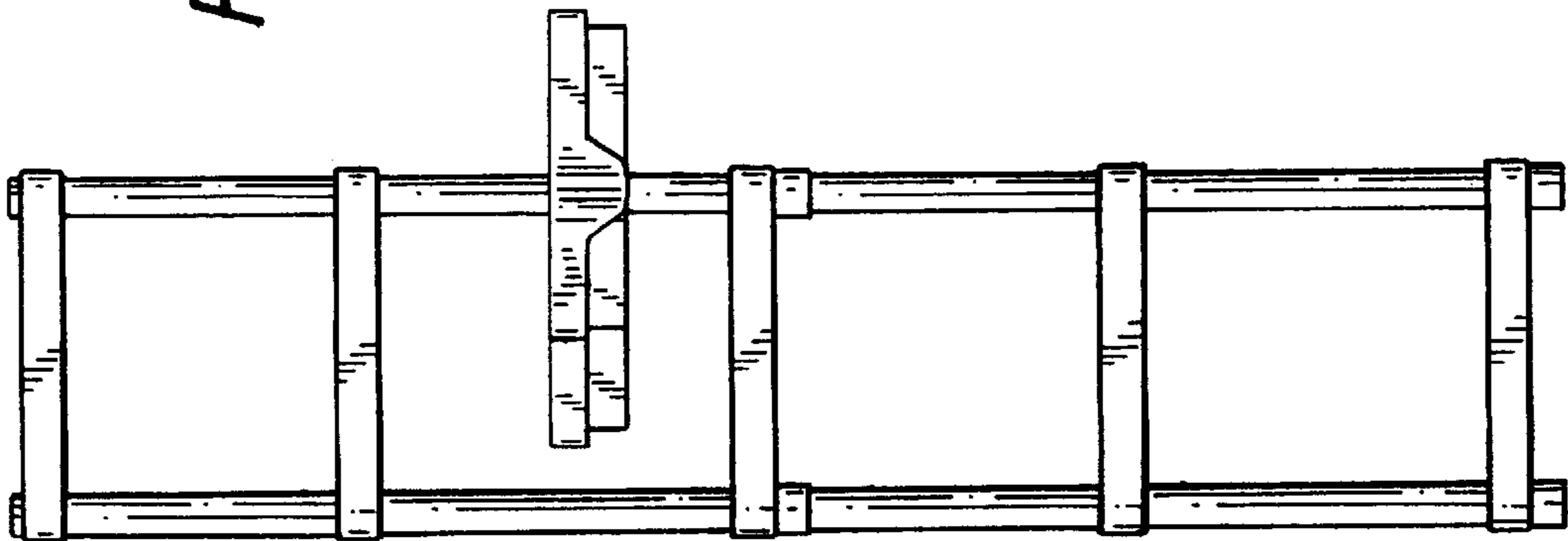


FIG. 3

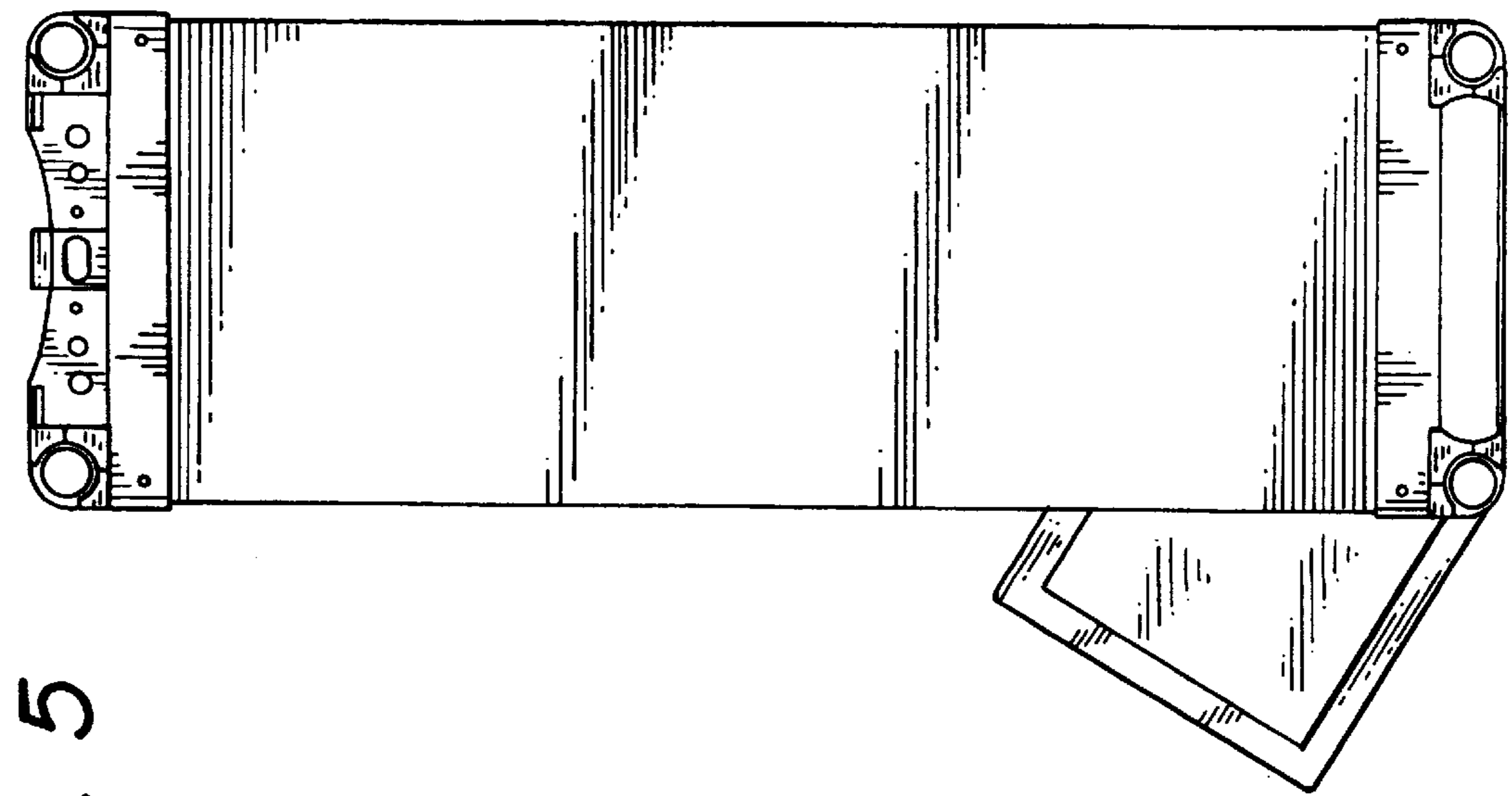
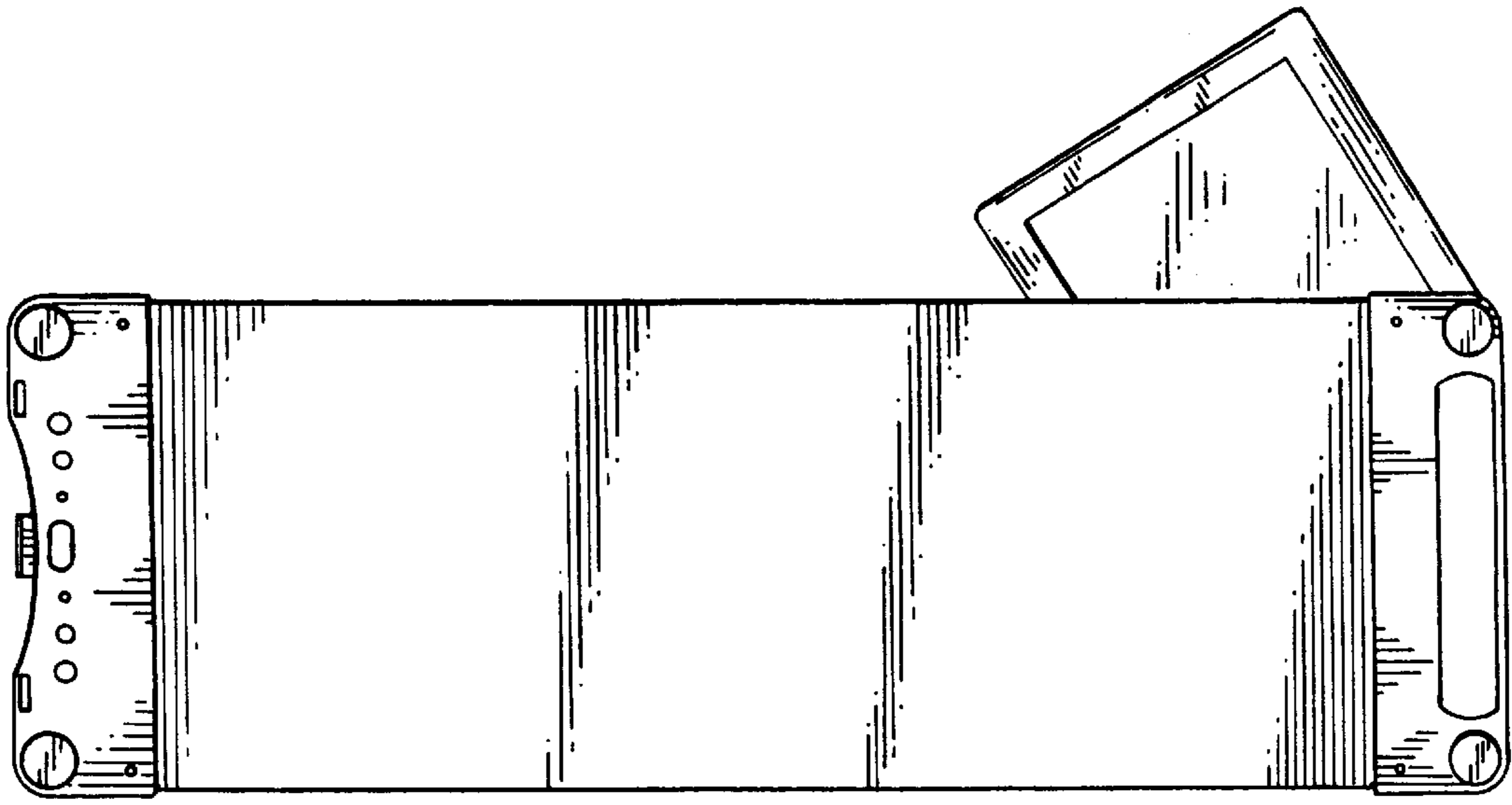


FIG. 5

FIG. 6