



US00D425731S

United States Patent [19]

So

[11] **Patent Number: Des. 425,731**

[45] **Date of Patent: ** May 30, 2000**

[54] **STAND FOR TOY CAR**

[75] **Inventor: Moon-Lam So**, Kowloon, The Hong Kong Special Administrative Region of the People's Republic of China

[73] **Assignee: May Cheong Toy Products Factory Limited**, The Hong Kong Special Administrative Region of the People's Republic of China

[**] **Term: 14 Years**

[21] **Appl. No.: 29/090,167**

[22] **Filed: Jul. 1, 1998**

[51] **LOC (7) Cl. 06-04**

[52] **U.S. Cl. D6/469**

[58] **Field of Search** D6/449, 466-469, D6/491, 495, 509; D19/77, 75, 81, 96, 90, 99; D11/164, 131; 211/13.1, 17, 22, 69.1, 85.26, 189; 248/469, 473, 127, 146, 176.1, 346.01-346.07, 188.1-188.5; 206/371

[56] **References Cited**

U.S. PATENT DOCUMENTS

D. 124,866 1/1941 Meyer D6/469

D. 280,333 8/1985 Rhoades D19/99 X
D. 357,705 4/1995 Milojevich D19/90
D. 370,868 6/1996 Phelps D11/131
D. 395,562 6/1998 Goodman D6/450
D. 400,736 11/1998 Churchville et al. D6/467

Primary Examiner—Doris V. Coles
Assistant Examiner—Linda Brooks
Attorney, Agent, or Firm—Samuels, Gauthier & Stevens

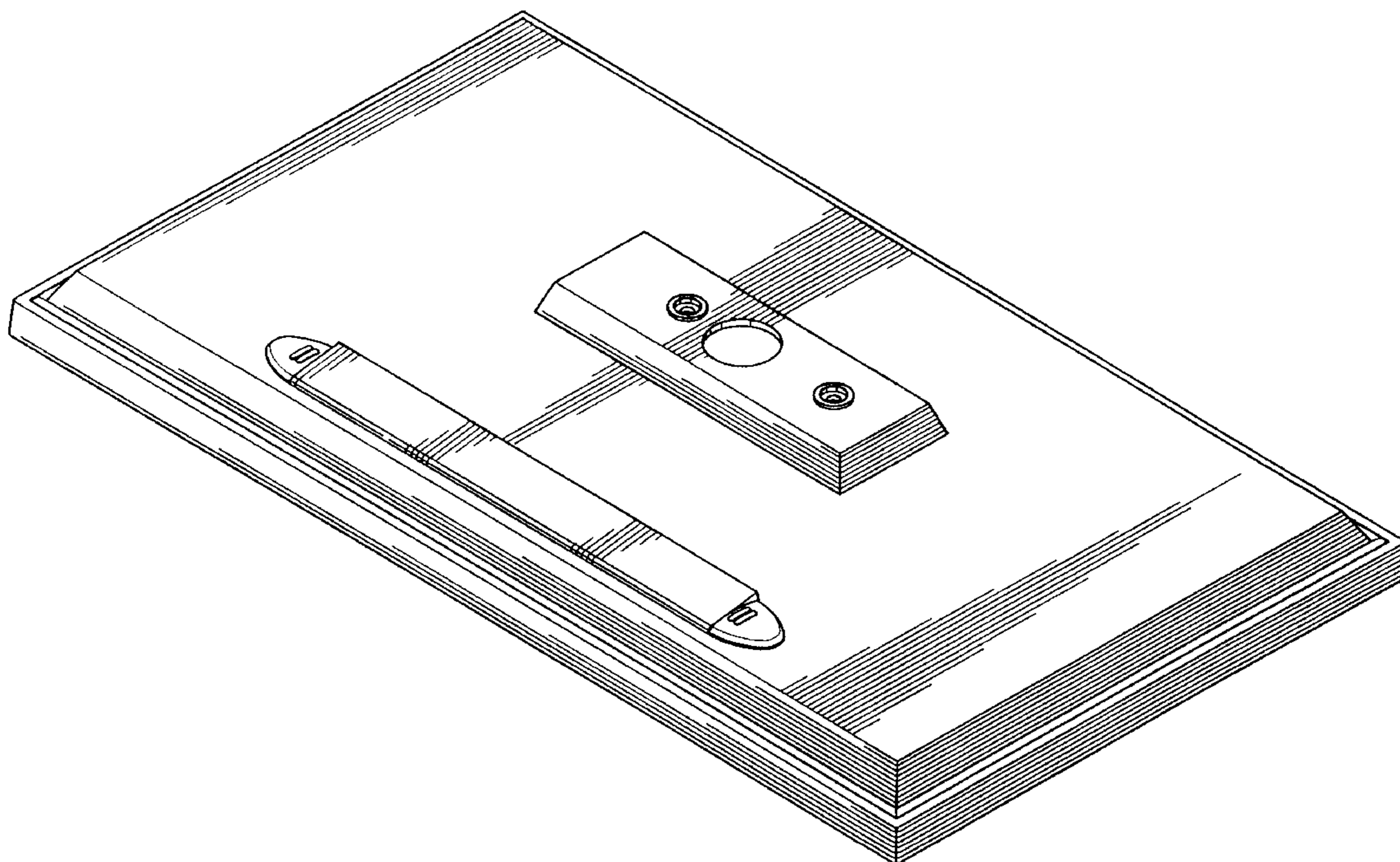
[57] **CLAIM**

The ornamental design for a stand for toy car, as shown and described.

DESCRIPTION

FIG. 1 is the front view thereof;
FIG. 2 is the rear view thereof;
FIG. 3 is the left-hand view thereof;
FIG. 4 is the right-hand view thereof;
FIG. 5 is the top view thereof;
FIG. 6 is the bottom view thereof; and,
FIG. 7 is the perspective view thereof.

1 Claim, 3 Drawing Sheets



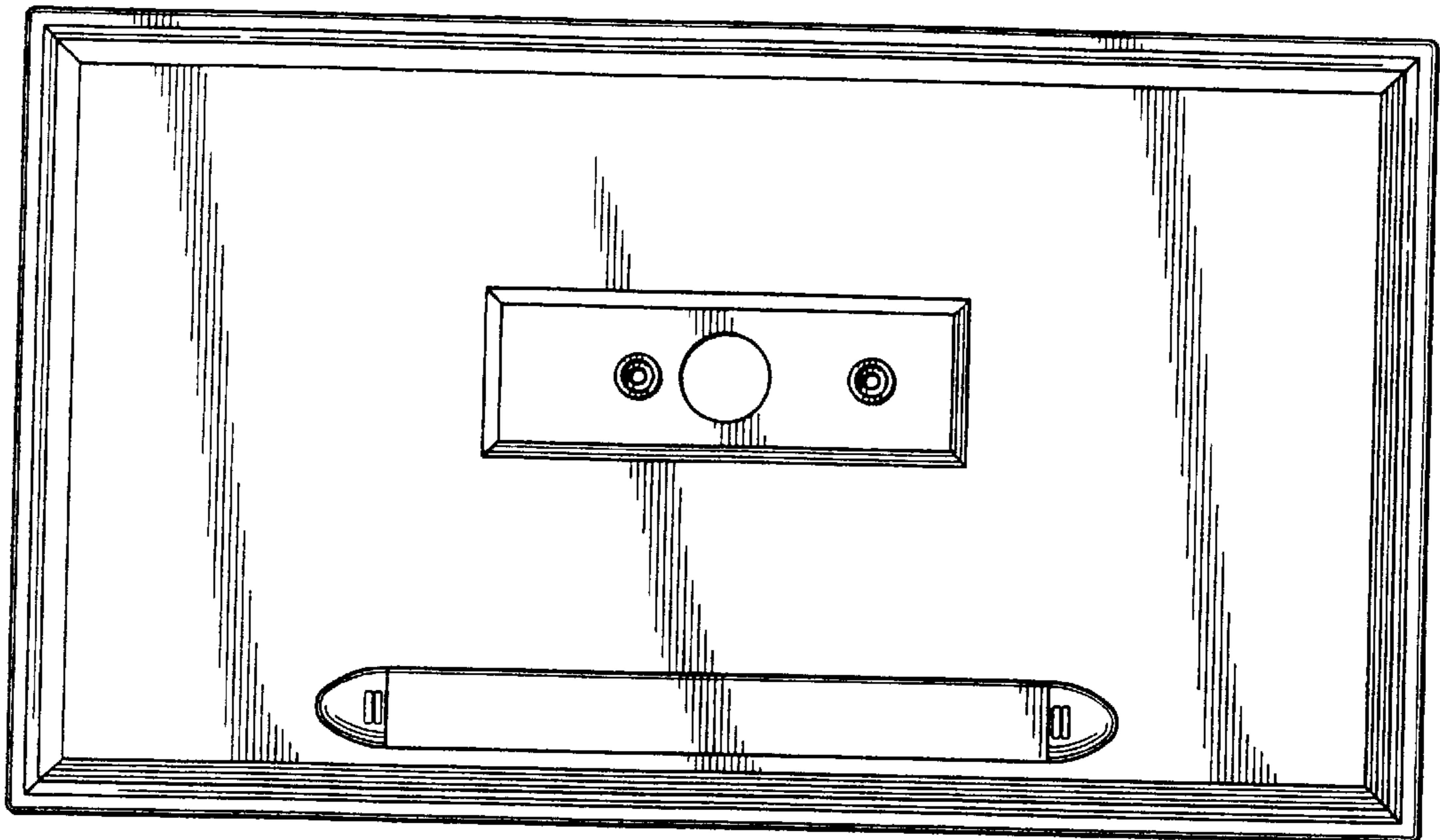


FIG. 1

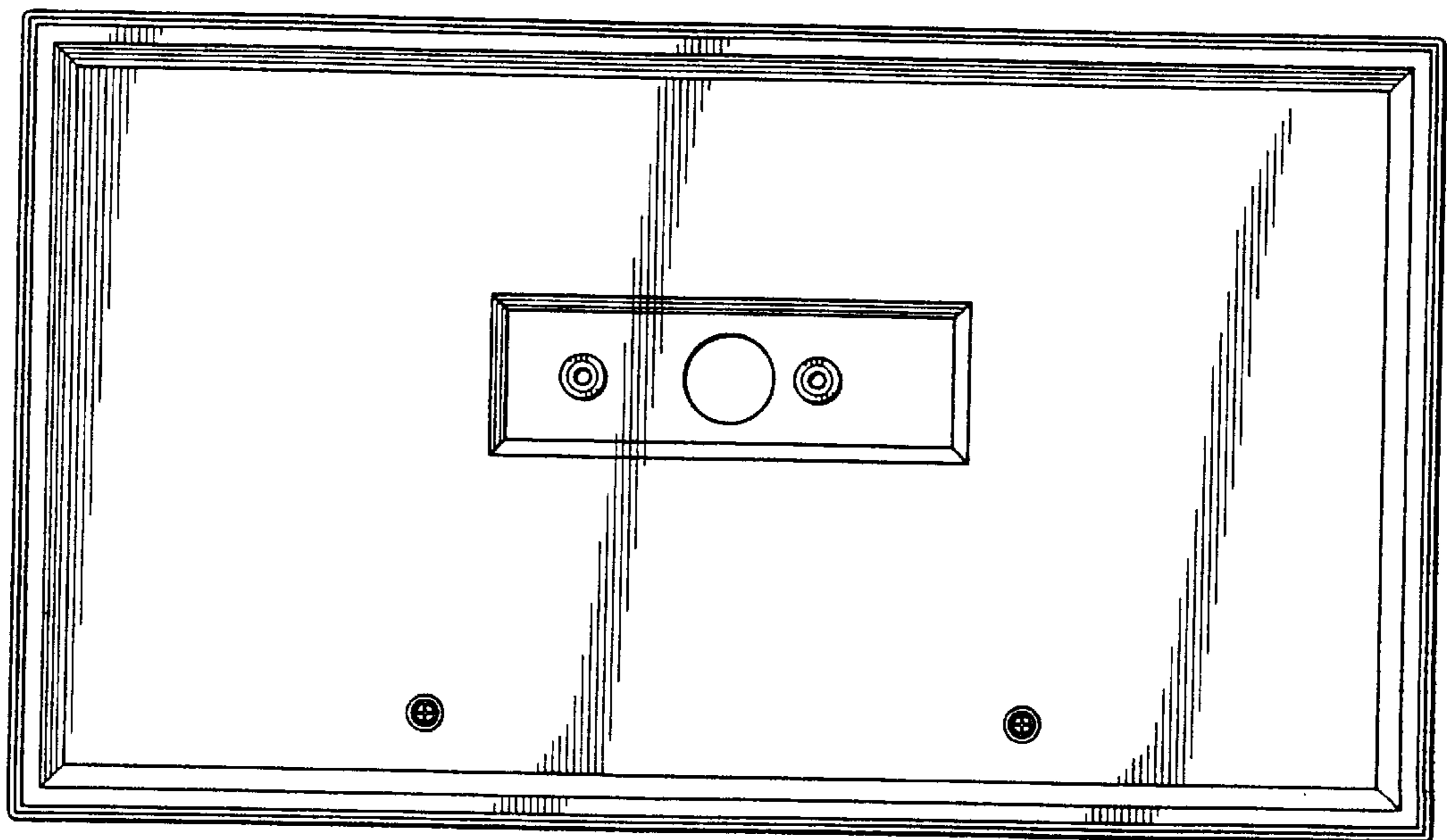


FIG. 2

FIG. 3



FIG. 4

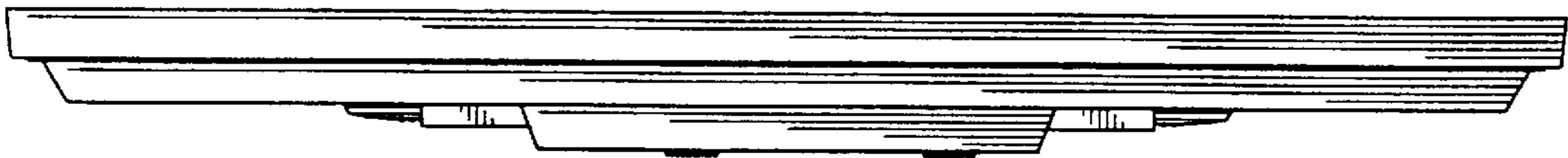


FIG. 5

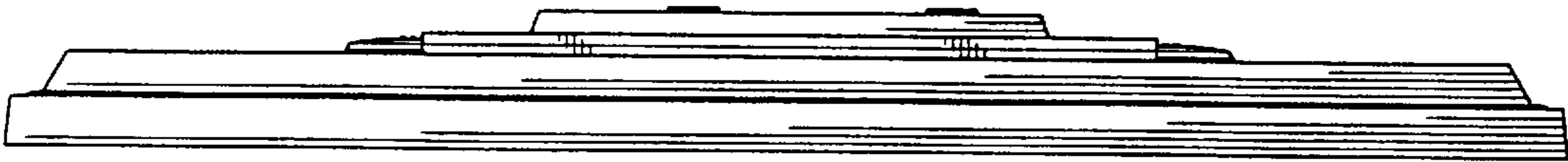


FIG. 6

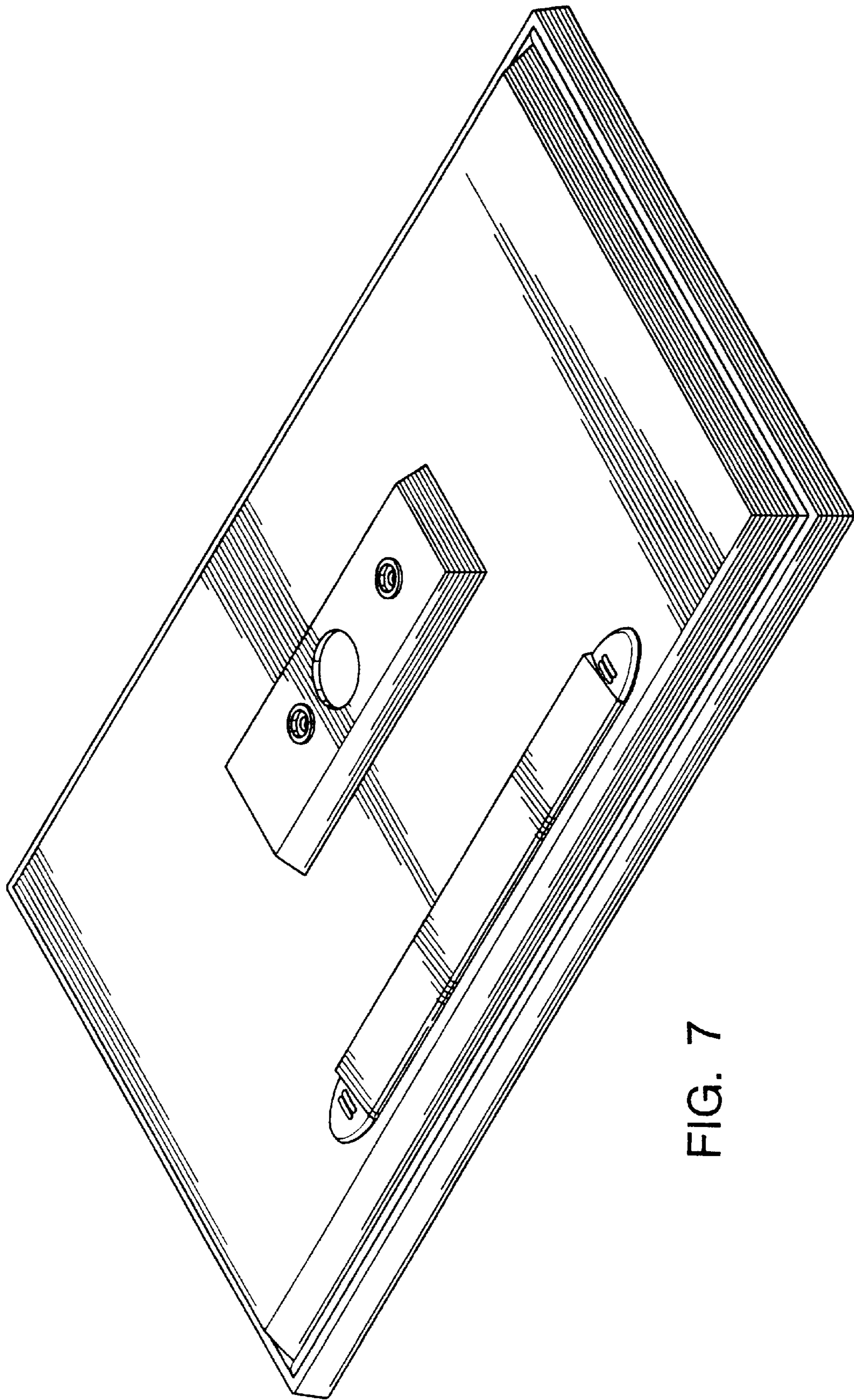


FIG. 7