



US00D425724S

United States Patent [19]

Hasz

[11] Patent Number: **Des. 425,724**

[45] Date of Patent: **** May 30, 2000**

[54] **LAPTOP ATTACHE MOBILE WORK STATION**

[76] Inventor: **Michael Hasz**, P.O. Box 539, Footville, Wis. 53537

[**] Term: **14 Years**

[21] Appl. No.: **29/100,751**

[22] Filed: **Feb. 17, 1999**

[51] **LOC (7) Cl.** **06-06**

[52] **U.S. Cl.** **D6/406.6; D6/406.5**

[58] **Field of Search** D7/553.5, 553.2, D7/553.1, 552.1; D6/406.5, 406.1, 406.6, 339.51, 419.42, 406.2, 406.3, 406.4; D12/133; 135/67; 104/25, 43, 44; D3/227, 230

[56] **References Cited**

U.S. PATENT DOCUMENTS

D. 281,555	12/1985	Levy	D6/406.6
D. 286,344	10/1986	Hughes, Jr.	D12/420
D. 321,300	11/1991	Postic	D6/511
D. 355,790	2/1995	Dwyer	D6/449
D. 356,532	3/1995	Butzman	D12/133
D. 360,776	8/1995	Blue	D6/406.6
2,640,747	6/1953	Bodenhoff	D6/406.4 X
2,647,716	8/1953	Hudziak et al.	D6/406.1 X

2,663,603	12/1953	Newman	D6/406.5 X
3,185,113	5/1965	Nathan et al.	D6/406.5
3,364,884	1/1968	Hamilton et al.	D6/406.1 X
5,176,274	1/1993	jenkins	108/43

Primary Examiner—M. N. Pandozzi

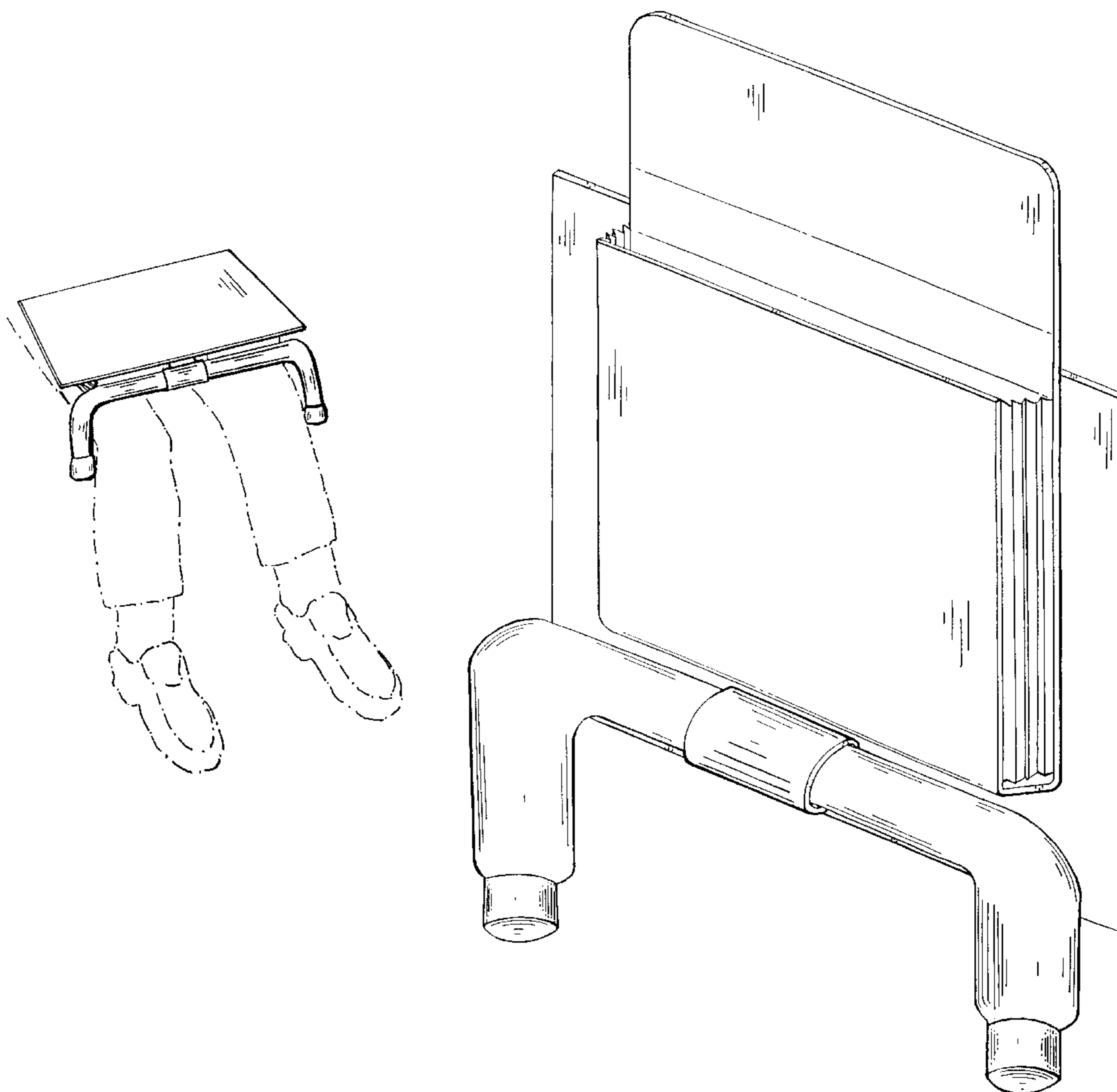
[57] **CLAIM**

The ornamental design for a laptop attache mobile work station, as shown and described.

DESCRIPTION

FIG. 1 is a front perspective view of a laptop attache mobile work station thereof;
 FIG. 2 is a bottom elevational plan view of FIG. 1 thereof;
 FIG. 3 is a rear perspective plan view thereof;
 FIG. 4 is a side elevational plan view thereof showing the laptop attache mobile work station in a condition of use thereof;
 FIG. 5 is a top perspective view of the laptop attache mobile work station in a condition of use thereof; and,
 FIG. 6 is a front perspective view of a laptop attache mobile work station in an open condition of use thereof.
 The broken line representing the "human structure" in FIG. 5 is for illustrative purposes only and forms no part of the claimed design.

1 Claim, 3 Drawing Sheets



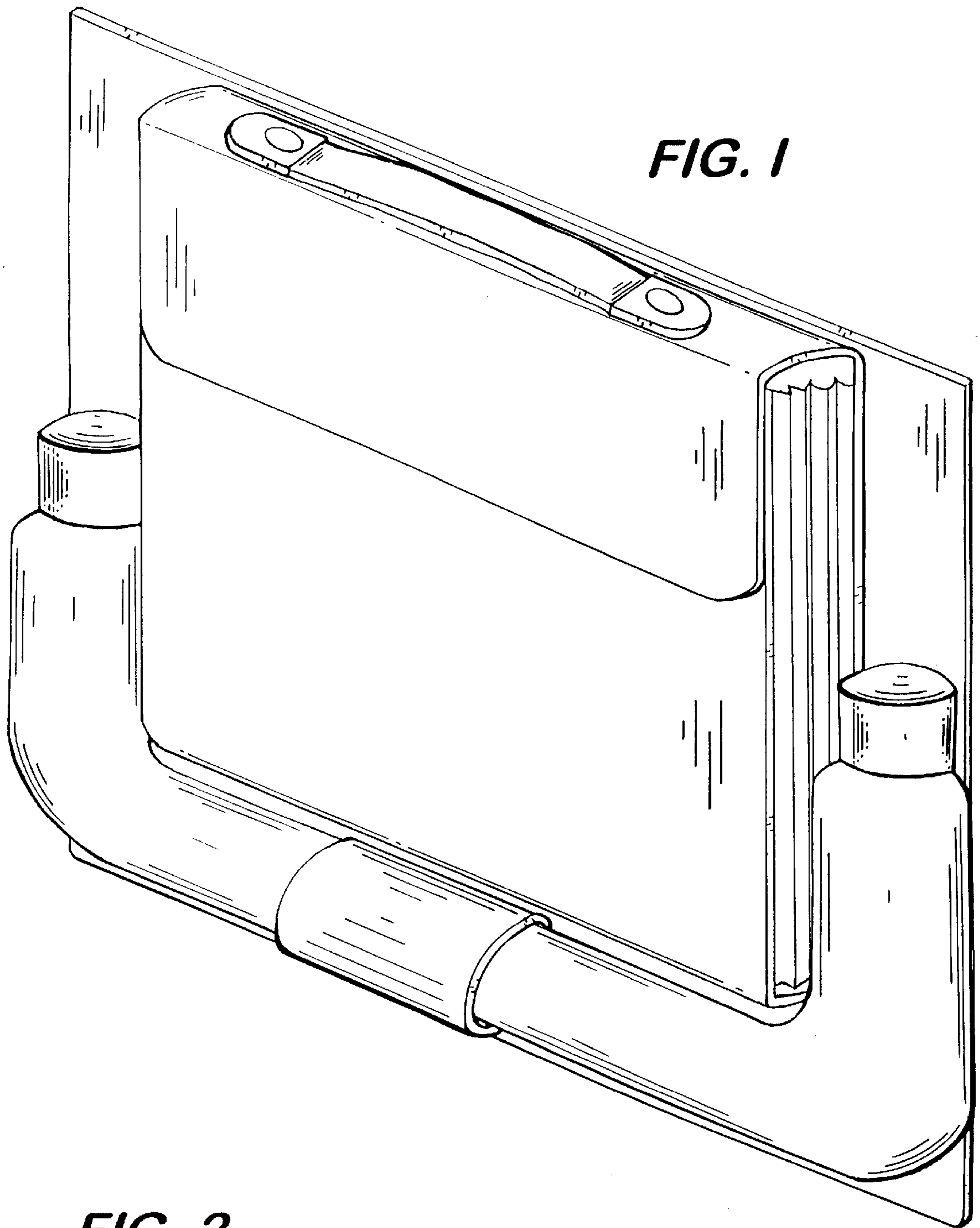
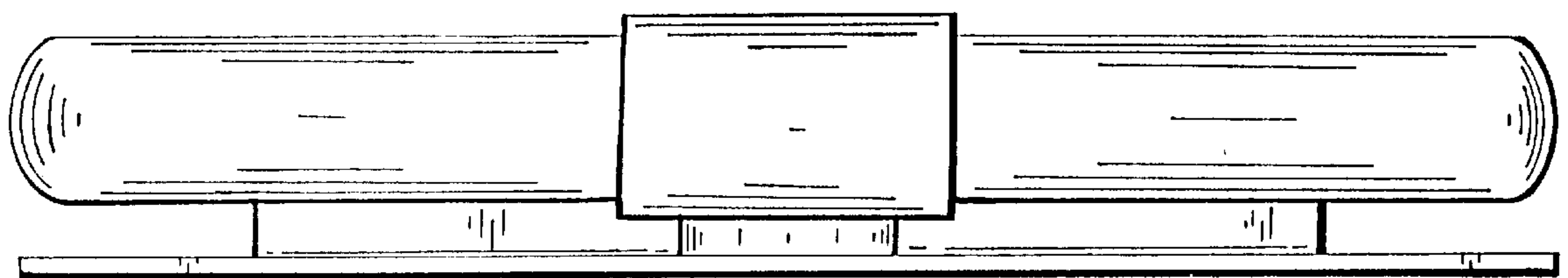


FIG. 2



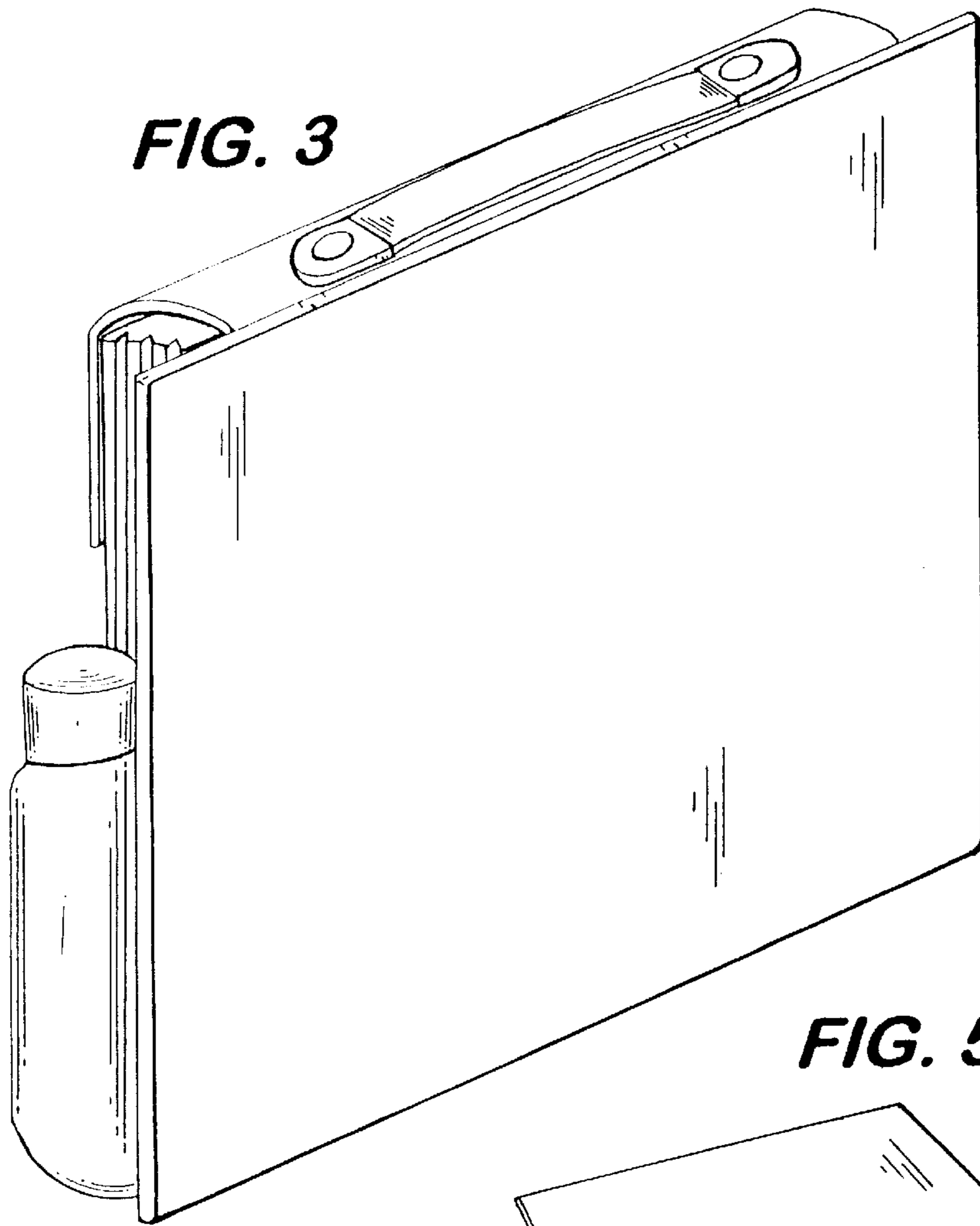


FIG. 4

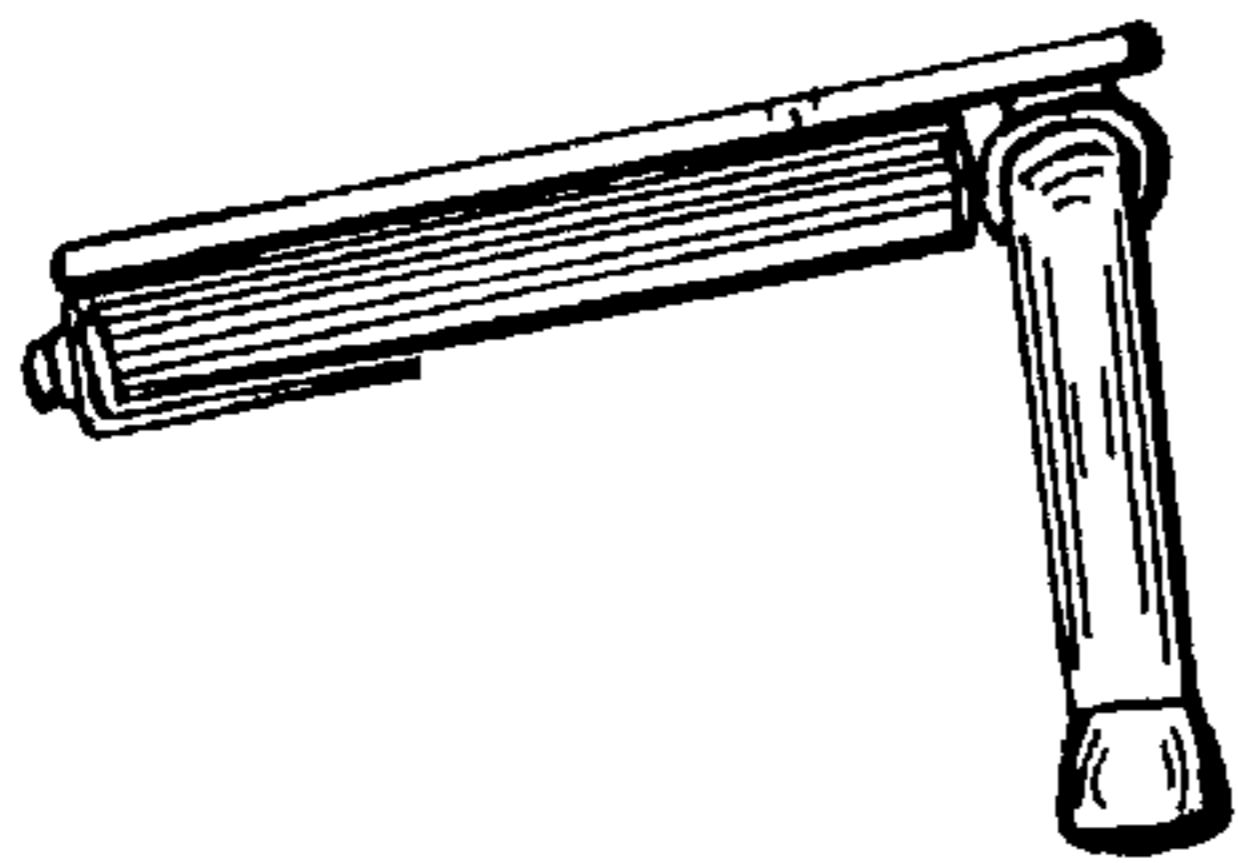


FIG. 5

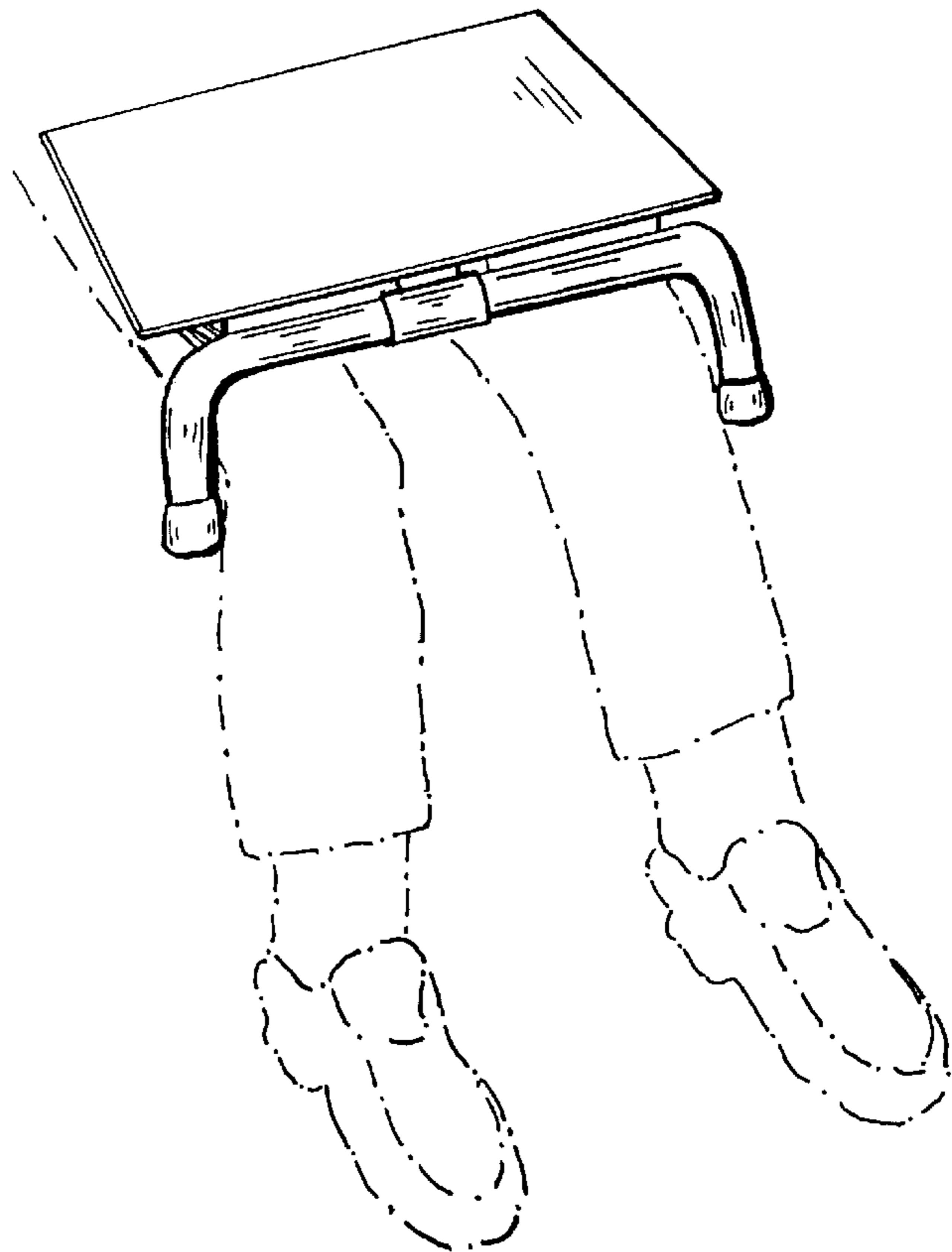


FIG. 6

